



HISTORIC DISTRICT COMMISSION APPLICATION FOR WORK APPROVAL

City of Detroit - Planning & Development Department
2 Woodward Avenue, Suite 808
Detroit, Michigan 48226

APPLICATION ID

HDC2024-00671

PROPERTY INFORMATION

ADDRESS(ES): 19566 Canterbury

HISTORIC DISTRICT: Sherwood Forest

SCOPE OF WORK: (Check ALL that apply)

- | | | | | | |
|---|---|--|---|---|--------------------------------|
| <input checked="" type="checkbox"/> Windows/
Doors | <input type="checkbox"/> Walls/
Siding | <input type="checkbox"/> Painting | <input type="checkbox"/> Roof/Gutters/
Chimney | <input type="checkbox"/> Porch/Deck/Balcony | <input type="checkbox"/> Other |
| <input type="checkbox"/> Demolition | <input type="checkbox"/> Signage | <input type="checkbox"/> New
Building | <input type="checkbox"/> Addition | <input type="checkbox"/> Site Improvements
(landscape, trees, fences,
patios, etc.) | |

BRIEF PROJECT DESCRIPTION:
Replace all steel framed windows with Quaker Certified Historical steel framed windows with identical grid pattern and full divided light muntin's. Historical window expert from Quaker has provided written documentation that the windows cannot be repaired.

APPLICANT IDENTIFICATION

TYPE OF APPLICANT: Architect/Engineer/Consultant

NAME: Justin Bercheny	COMPANY NAME: Max Broock Realtors		
ADDRESS: 19161 Monte Vista Street	CITY: Detroit	STATE: MI	ZIP: 48221
PHONE: +1 (313) 354-4319	EMAIL: JustinDoesRealEstate@gmail.com		

I AGREE TO AND AFFIRM THE FOLLOWING:

- I understand that the failure to upload all required documentation may result in extended review times for my project and/or a denied application.
- I understand that the review of this application by the Historic District Commission does not waive my responsibility to comply with any other applicable ordinances including obtaining appropriate permits (building, sign, etc.) or other department approvals prior to beginning the work.
- I hereby certify that the information on this application is true and correct. I certify that the proposed work is authorized by the owner of record and I have been authorized to make this application as the property owner(s) authorized agent.

Signed by:

92CEE8EB393748B...

11/18/2024

SIGNATURE

DATE

NOTE: Based on the scope of work, additional documentation may be required. See www.detroitmi.gov/hdc for scope-specific requirements.

PROJECT DETAILS – TELL US ABOUT YOUR PROJECT

Instructions: Add project details using the text box in each section. If your details exceed the space provided, attach the details via the attachment icon for that section.

ePLANS PERMIT NUMBER:

(only applicable if you've already applied for permits through ePLANS)

N/A

GENERAL

1. DESCRIPTION OF EXISTING CONDITION

Please tell us about the current appearance and conditions of the areas you want to change. You may use a few sentences or attach a separate prepared document on the right. (For example, "existing roof on my garage is covered in gray asphalt shingles in poor condition.")

As recommended by Commissioner Marquez, we consulted with Quaker Windows. According to Ron Hendricks, the windows are not repairable to working order. Ron provided a written statement to that affect which is attached to this application. Also attached are a variety of window photos taken on sight. You can see from the photos that the frames of many windows are bent and misaligned to varying degrees. Some of the windows are so misaligned that there are several inches difference between the top and bottom of the windows. The home was vacant, with a large hole in the roof for many years and this extreme exposure to moisture has likely led to the advanced state of deterioration.



2. PHOTOGRAPHS

Help us understand your project. Please attach photographs of all areas where work is proposed.



3. DESCRIPTION OF PROJECT

In this box, tell us about what you want to do at the areas described above in box #1. (For example, "Install new asphalt shingle roofing at garage.")

Existing windows will be replaced with Historic Quaker Windows which have been previously approved by the Commission. The Quaker windows are a steel window with a beveled exterior frame and flat interior frame. The individual panes have full divided light and the grid pattern will be customized to match each existing window. These windows match the existing windows in thickness, sheen, and general appearance.

4. DETAILED SCOPE OF WORK

In this box, please describe all steps necessary to complete the work described in box #3. (For example, "remove existing shingles, replace wood deck as necessary, replace wood eaves, install roof vents, replace rotted fascia boards, paint, clean worksite.")

As attached, Quacker Historic Windows will replace each existing window and will match the exact grid pattern. Windows will open using a crack handle and will swing appropriately. The detailed product guides and estimate from Quaker demonstrates the matching qualities of the windows meet the Secretary of the Interiors requirements and match the existing windows in design, color, texture, and materials.




5. BROCHURES/CUT SHEETS

Please provide information on the products or materials you are proposing to install. For example, a brochure on the brand and color of the shingles proposed.



ADDITIONAL DETAILS

6. WINDOWS/DOORS <i>Detailed photographs of window(s) and/or door(s) proposed for replacement showing the condition of the interior and exterior of the window(s) and/or door(s)</i>	



November 13, 2024

Attn: Dominic Matina

**RE: 19566 Canterbury
Detroit, MI
Formal Proposal**

Based on the inspection at 19566 Canterbury Road in Detroit, MI, more than 65% of the windows at the residence are **not** repairable due to the fact that we are unable to get the parts. My recommendation to replace the windows with Quaker Historic.

If you have any questions, please contact Ron Hendricks at (313) 363-9701.

Sincerely,

Ron Hendricks

Ron Hendricks Owner































Historical
SERIES **H450 Series**
3 1/4" Frame Depth
Picture Window (Fixed)

H450 SERIES PICTURE WINDOW (FIXED)

The Quaker Historical H450 Series Picture Window window is ideal for a variety of applications including - Historical, Landmarks, Institutions and Education.

FEATURES

- ◇ Commercial Framing System
 - 3 1/4" main frame
 - Historically-correct bevel frame exterior
 - Minimum of 0.080" wall thickness, 0.70 on TDL
 - Available with or without integral nailing fin
- ◇ Thermally Enhanced Design
 - Thermally-broken main frame extrusions
 - Azon pour and debridge thermal break technology
- ◇ Glazing
 - 1" insulating glass

OPTIONS

- ◇ Available Configurations
 - Fixed
 - Continuous frame capabilities
- ◇ Muntin Choices
 - Internal or simulated divided lites available
- ◇ Glazing
 - Multiple Low-E and argon glazing choices
 - Glazing pocket can accept 1 3/8" insulating glass for sound attenuation purposes
 - Capillary tubes
 - Wide variety of glazing, tinting and thickness options
- ◇ Panning & Trim Choices
 - Wide variety of panning, receptor and trim available
- ◇ Mulling
 - Wide variety of structural mulls

BENEFITS

- ◇ Historically accurate profiles to help your project meet Historic Preservation codes
- ◇ The capacity to match exterior colors for unique project facades
- ◇ The ability to facilitate large sizes for taller and wider window openings

PERFORMANCE

- ◇ Structural & Thermal (test reports or thermal simulations available upon request)

Model	Picture Window (Fixed)	
Test Size:	60" x 99"	72" x 120"
NAFS Rating	AW-PG50-F	AW-PG110-F
Structural Load P.S.F.	75.19	165.4
Air at 50 MPH (cfm/ft ²)	<0.01	
Water (No Penetration) P.S.F.	15.04	
U-Value (ranges based on multiple Low-E/Argon combinations)	0.26-0.50*	
SHGC (ranges based on multiple Low-E/Argon combinations)	0.16-0.69*	

Thermal performance testing in progress as of 5-18-2020.
* = Thermal performance numbers are projected.

Our products are tested to the standards of and certified by some of the foremost organizations in the fenestration industry.



ARCHITECTURAL PAINT COATINGS AND FINISHES

◇ Baked on powder coat finish meets AAMA 2604 (an FGIA specification) and is available in unlimited colors

- Quaker Impressive Palette of Colors



- 7 Resemble Colors (painted finish resembling anodized)



- Unlimited Custom Colors

◇ AAMA 2605 (an FGIA specification) powder coat finishes (not available for all colors shown)

◇ SolarLE Paint Finish (available with Textured Black and Dark Espresso colors only)

◇ AAMA 611-98 Class I clear and tinted anodized finishes

* Printed colors shown here may not accurately depict actual painted colors. Color samples are available upon request.

Our products are tested to the standards of and certified by some of the foremost organizations in the fenestration industry.





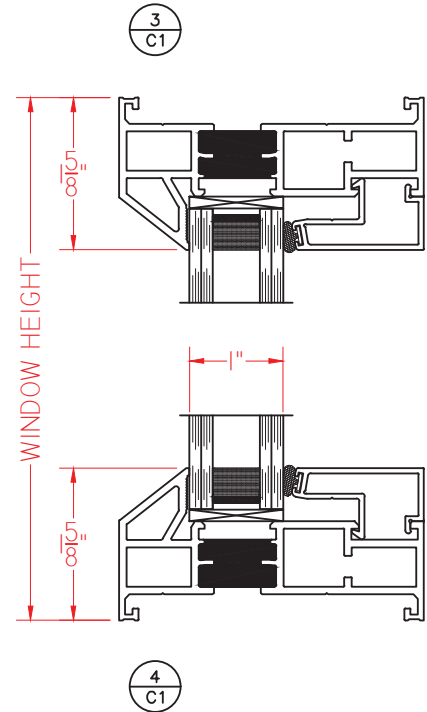
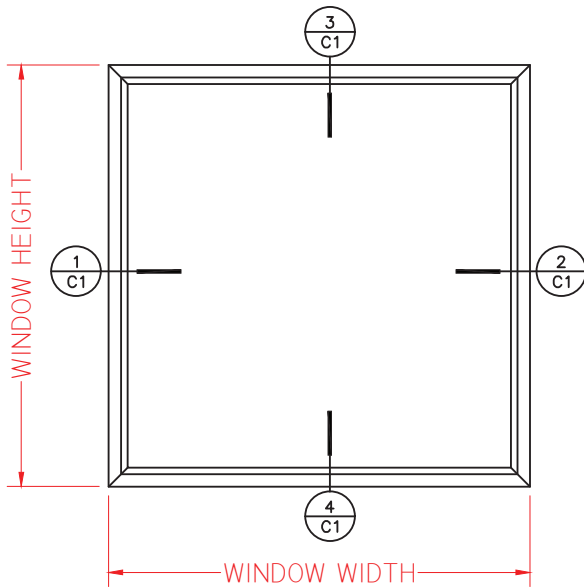
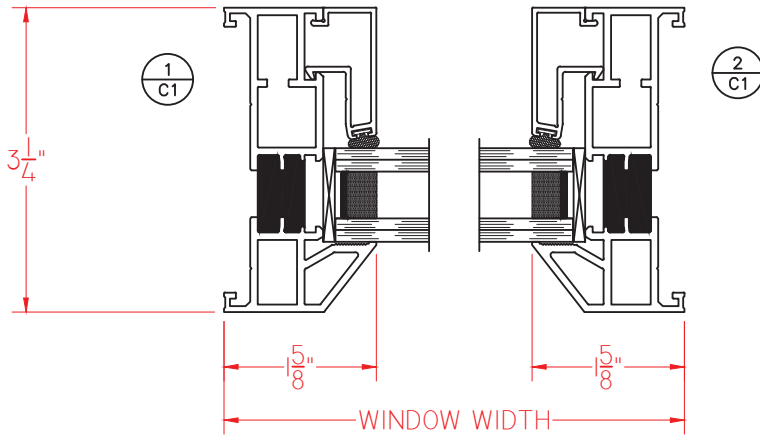
QUAKER
COMMERCIAL WINDOWS AND DOORS



H450 Series
3 1/4" Frame Depth
Picture Window (Fixed)

H450 PICTURE WINDOW WITHOUT NAILING FIN

This document contains confidential and proprietary information intended for the private use of Quaker.
© 2020 Quaker Window Products Co., INC. All rights reserved.
Quaker reserves the right to change any/all designs without notice. Due to periodic re-certification requirements, result shown may vary.



SCALE 1:2

Our products are tested to the standards of and certified by some of the foremost organizations in the fenestration industry.



QUAKER
COMMERCIAL WINDOWS AND DOORS



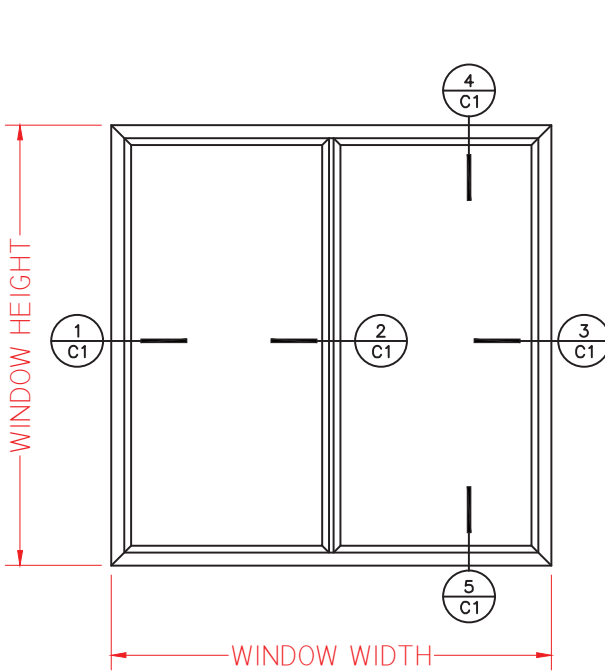
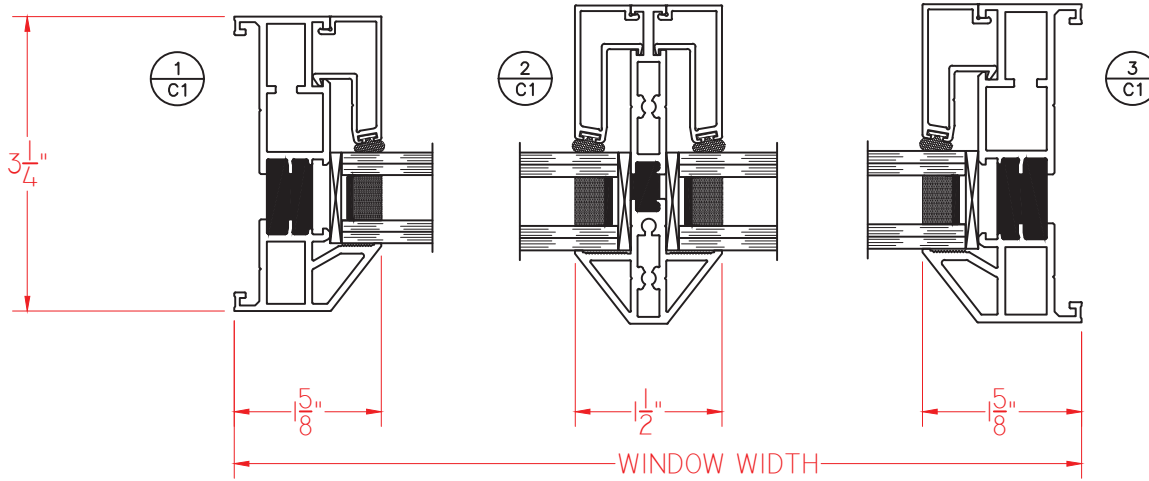
QUAKER
COMMERCIAL WINDOWS AND DOORS



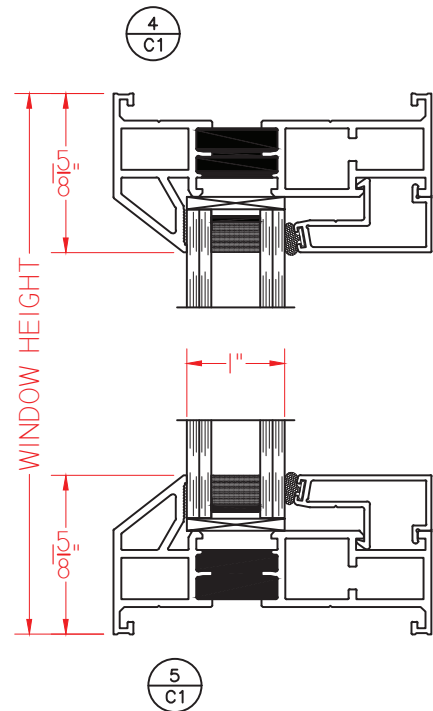
H450 Series
3 1/4" Frame Depth
Picture Window (Fixed)

H450 PICTURE WINDOW/PICTURE WINDOW

This document contains confidential and proprietary information intended for the private use of Quaker.
© 2020 Quaker Window Products Co., INC. All rights reserved.
Quaker reserves the right to change any/all designs without notice. Due to periodic re-certification requirements, result shown may vary.



ELEVATION SCALE 3/4" = 1'-0"



SCALE 1:2

Our products are tested to the standards of and certified by some of the foremost organizations in the fenestration industry.



QUAKER
COMMERCIAL WINDOWS AND DOORS



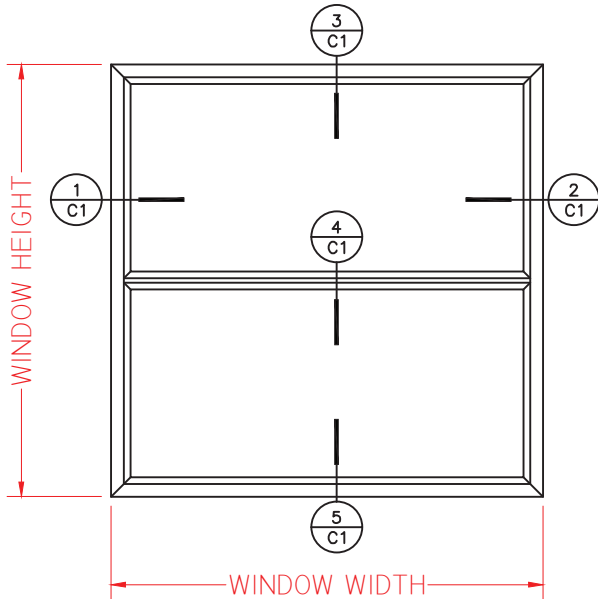
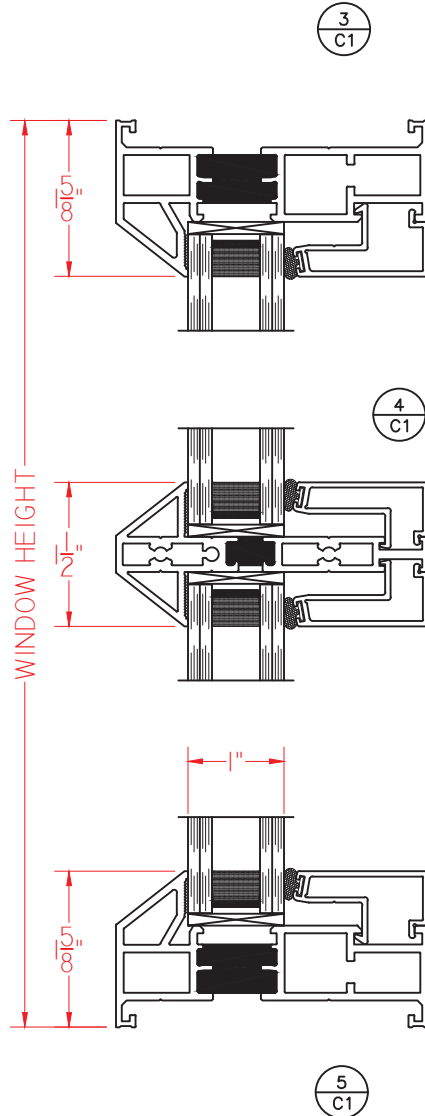
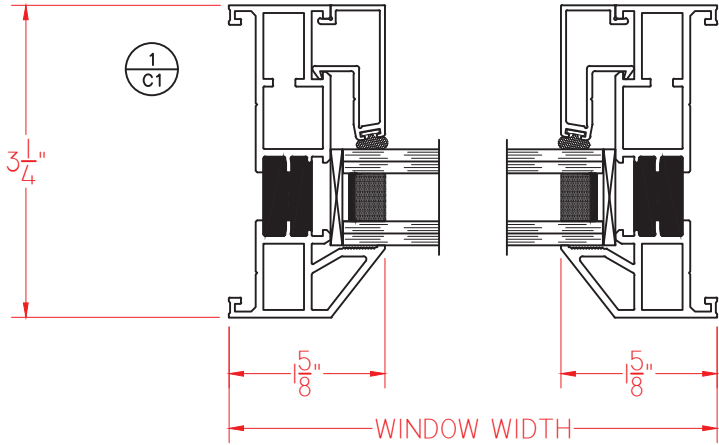
QUAKER
COMMERCIAL WINDOWS AND DOORS



H450 Series
3 1/4" Frame Depth
Picture Window (Fixed)

H450 PICTURE WINDOW/PICTURE WINDOW

This document contains confidential and proprietary information intended for the private use of Quaker.
© 2020 Quaker Window Products Co., INC. All rights reserved.
Quaker reserves the right to change any/all designs without notice. Due to periodic re-certification requirements, result shown may vary.



ELEVATION SCALE 3/4" = 1'-0"

SCALE 1:2

Our products are tested to the standards of and certified by some of the foremost organizations in the fenestration industry.



QUAKER
COMMERCIAL WINDOWS AND DOORS



Historical Series Recent Project References for Detroit

(clockwise top left):

The Farwell Building - H-Series Single Hung & Fixed | Vinton Building - H-Series Single Hung & Arch Head Single Hung | 640 Temple - H-Series Single Hung & Fixed | Book Tower - H-Series Single Hung



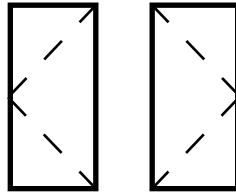


Historical Series Recent Project References for Detroit

(clockwise top left):

JACK Entertainment HQ - H-Series Arch Head Single Hung | Checker Cab Building - H-Series Single Hung & Fixed | Foundation Hotel - H-Series Single Hung | Heritage Tower (Battle Creek) - H-Series Fixed | Free Press Building - H503 Single Hung | Emerald Flats(Grand Rapids) - H600 Project-Out, Fixed & Extended Half Round





Historical
SERIES **H450 Series**
3 1/4" Frame Depth
Casement (Project-Out)

H450 SERIES CASEMENT (PROJECT-OUT)

The Quaker Historical H450 Series Casement window is ideal for a variety of applications including - Historical, Landmarks, Institutions and Education.

FEATURES

- ◇ Commercial Framing System
 - 3 1/4" main frame
 - Historically-correct bevel frame exterior
 - Minimum of 0.080" wall thickness
 - Dual Euro Groove System
 - Available with or without integral nailing fin
- ◇ Thermally Enhanced Design
 - Thermally-broken main frame and vent rails
 - Azon pour and debridge thermal break technology
- ◇ Glazing
 - 1" insulating glass
- ◇ Hardware
 - Maxim LP Locking System, Chic Hinge and Roto Hardware on crankout model
 - Maxim LP Locking System, 4-Bar Hinge and Push/Pull Cup Hardware on push-out model
- ◇ Screen
 - Easily removable FlexScreen

OPTIONS

- ◇ Available Configurations
 - Project-out casement
 - Push-out or Crank-out (Left or Right)
 - Continuous frame capabilities
 - Fixed
- ◇ Muntin Choices
 - Internal or simulated divided lites available
- ◇ Hardware
 - Limit Travel Accessories
- ◇ Screen
 - Wicket Screen (Push-out model only)
- ◇ Glazing
 - Multiple Low-E and argon glazing choices
 - Glazing pocket can accept 1 3/8" insulating glass for sound attenuation purposes
 - Capillary tubes
 - Wide variety of glazing, tinting and thickness options
- ◇ Panning & Trim Choices
 - Wide variety of panning, receptor and trim available
- ◇ Mulling
 - Wide variety of structural mulls

BENEFITS

- ◇ Historically accurate profiles to help your project meet Historic Preservation codes
- ◇ The capacity to match exterior colors for unique project facades
- ◇ The ability to facilitate large sizes for taller and wider window openings

PERFORMANCE

- ◇ Structural & Thermal (test reports or thermal simulations available upon request)

Model	Casement (Project-Out)
Test Size:	36" x 60"
NAFS Rating	CW-70*
Structural Load P.S.F.	105*
Air at 50 MPH (cfm/ft ²)	<0.10*
Water (No Penetration) P.S.F.	12*
U-Value (ranges based on multiple Low-E/Argon combinations)	0.40-0.60*
SHGC (ranges based on multiple Low-E/Argon combinations)	0.14-0.59*

Certification testing in progress as of 5-18-2020.

* = Performance numbers and NAFS Ratings are projected.

Our products are tested to the standards of and certified by some of the foremost organizations in the fenestration industry.



ARCHITECTURAL PAINT COATINGS AND FINISHES

◇ Baked on powder coat finish meets AAMA 2604 (an FGIA specification) and is available in unlimited colors

- Quaker Impressive Palette of Colors



- 7 Resemble Colors (painted finish resembling anodized)



- Unlimited Custom Colors

◇ AAMA 2605 (an FGIA specification) powder coat finishes (not available for all colors shown)

◇ SolarLE Paint Finish (available with Textured Black and Dark Espresso colors only)

◇ AAMA 611-98 Class I clear and tinted anodized finishes

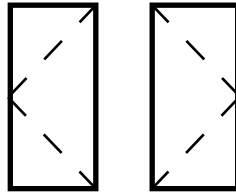
* Printed colors shown here may not accurately depict actual painted colors. Color samples are available upon request.

Our products are tested to the standards of and certified by some of the foremost organizations in the fenestration industry.





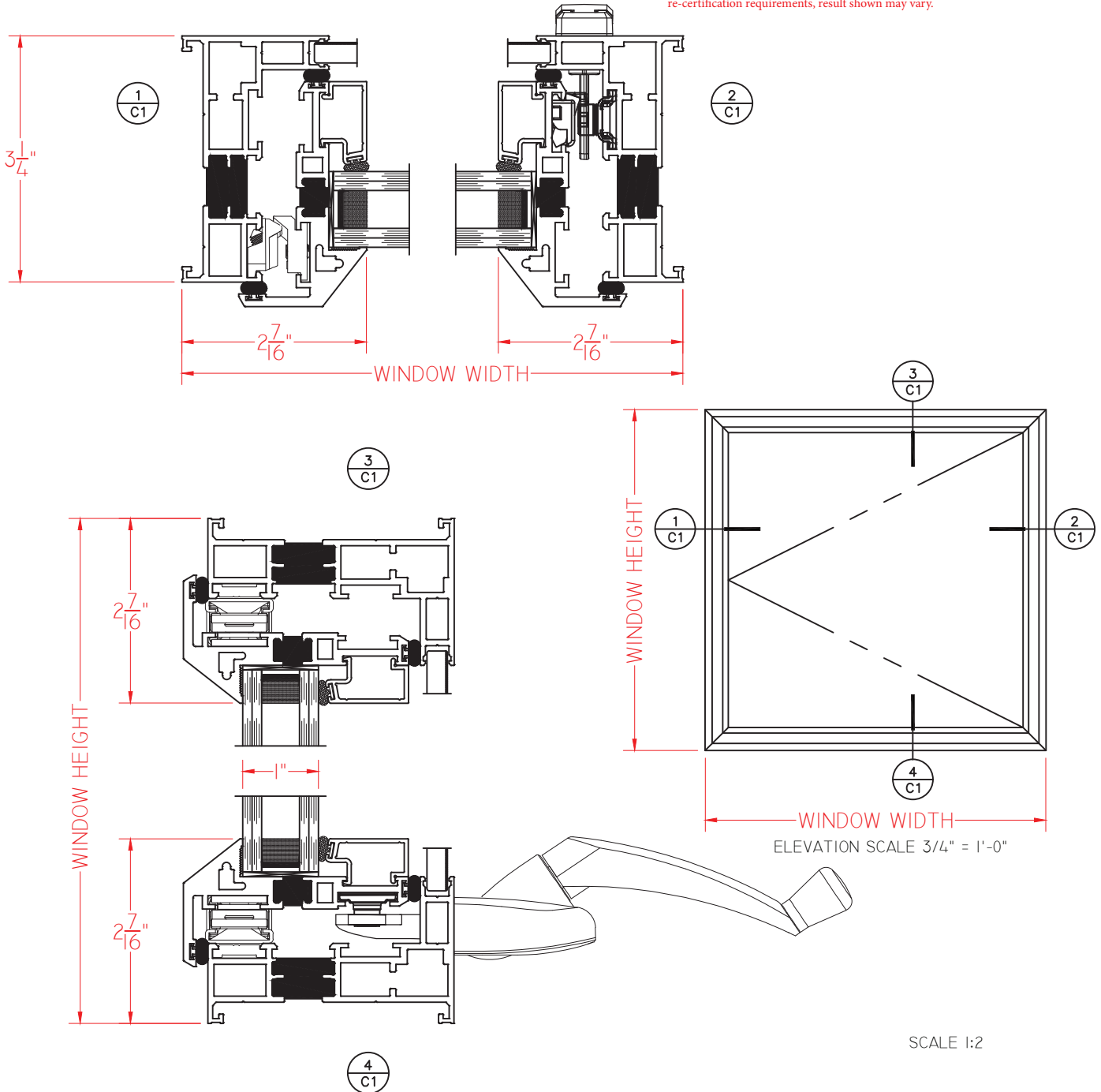
QUAKER
COMMERCIAL WINDOWS AND DOORS



H450 Series
3 1/4" Frame Depth
Casement (Project-Out)

H450 CASEMENT WITHOUT NAILING FIN (CRANK OUT)

This document contains confidential and proprietary information intended for the private use of Quaker.
© 2020 Quaker Window Products Co., INC. All rights reserved.
Quaker reserves the right to change any/all designs without notice. Due to periodic re-certification requirements, result shown may vary.

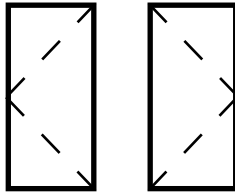


SCALE 1:2

Our products are tested to the standards of and certified by some of the foremost organizations in the fenestration industry.



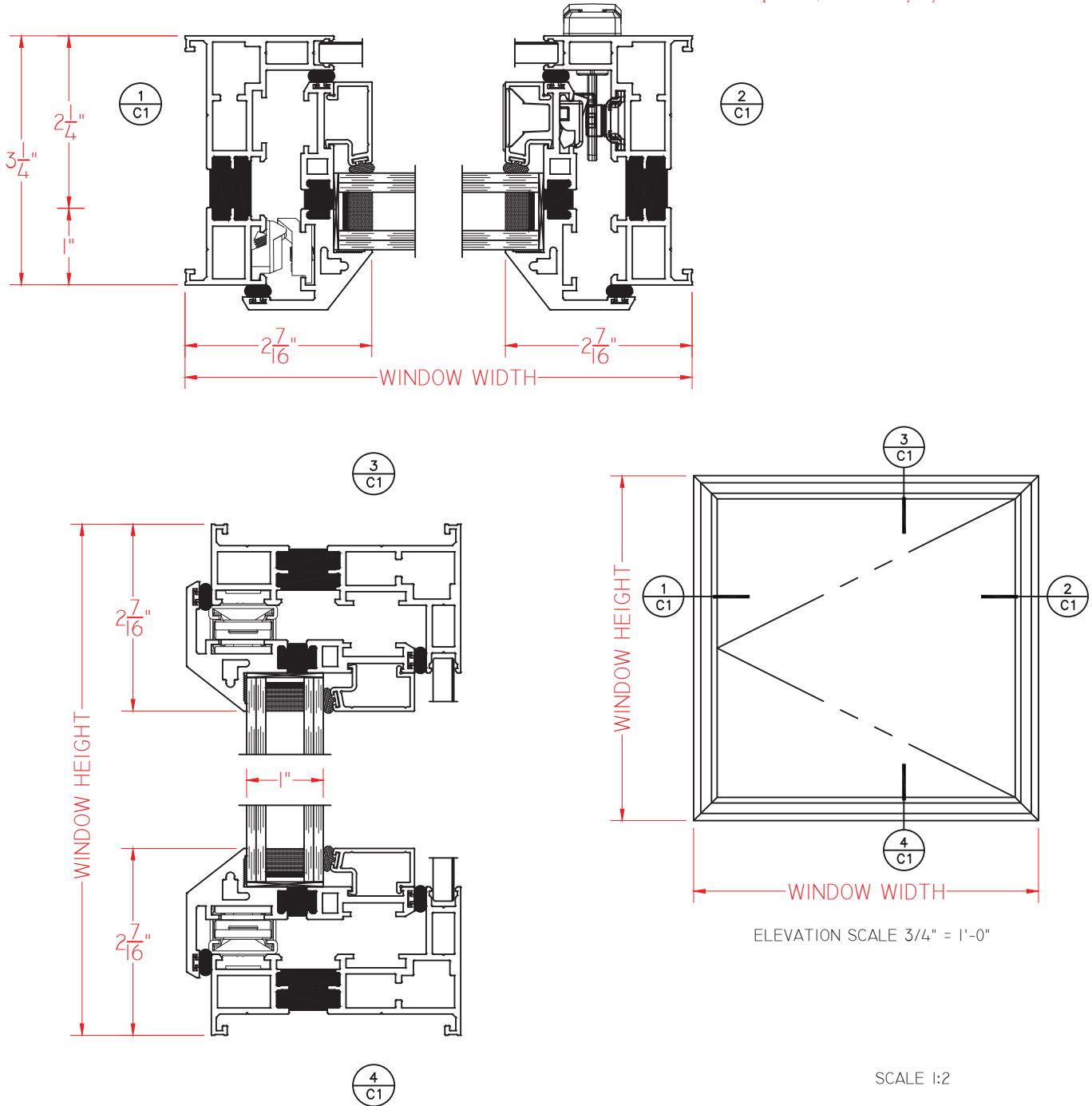
QUAKER
COMMERCIAL WINDOWS AND DOORS



Historical SERIES **H450 Series**
3 1/4" Frame Depth
Casement (Project-Out)

H450 CASEMENT WITHOUT NAILING FIN (PUSHOUT)

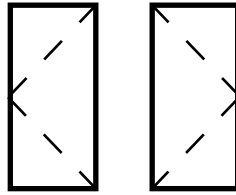
This document contains confidential and proprietary information intended for the private use of Quaker.
 © 2020 Quaker Window Products Co., INC. All rights reserved.
 Quaker reserves the right to change any/all designs without notice. Due to periodic re-certification requirements, result shown may vary.



Our products are tested to the standards of and certified by some of the foremost organizations in the fenestration industry.



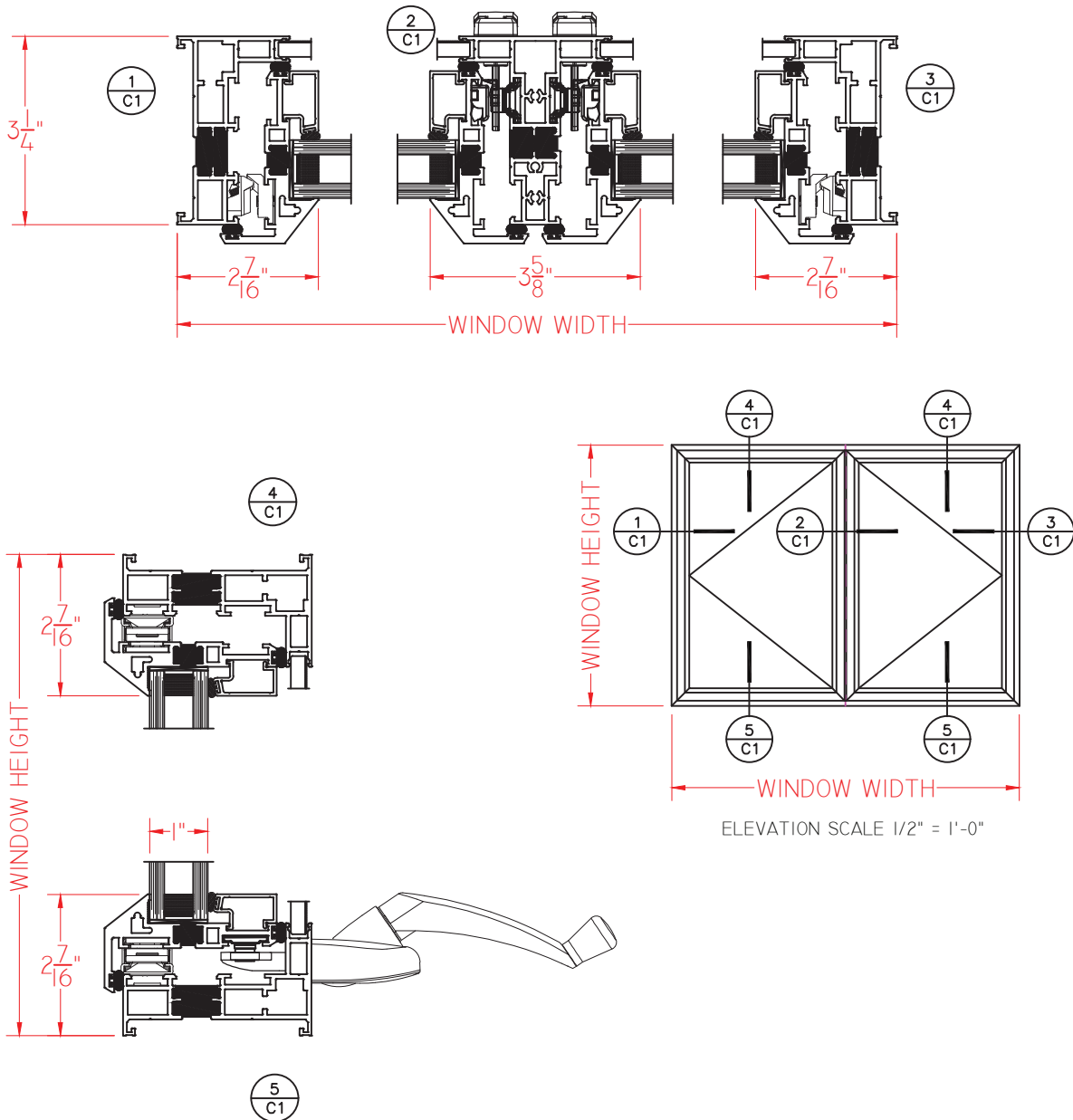
QUAKER
 COMMERCIAL WINDOWS AND DOORS



H450 Series
3 1/4" Frame Depth
Casement (Project-Out)

H450 CASEMENT/CASEMENT (CRANK OUT)

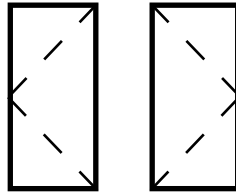
This document contains confidential and proprietary information intended for the private use of Quaker.
 © 2020 Quaker Window Products Co., INC. All rights reserved.
 Quaker reserves the right to change any/all designs without notice. Due to periodic re-certification requirements, result shown may vary.



SCALE 1:3

Our products are tested to the standards of and certified by some of the foremost organizations in the fenestration industry.

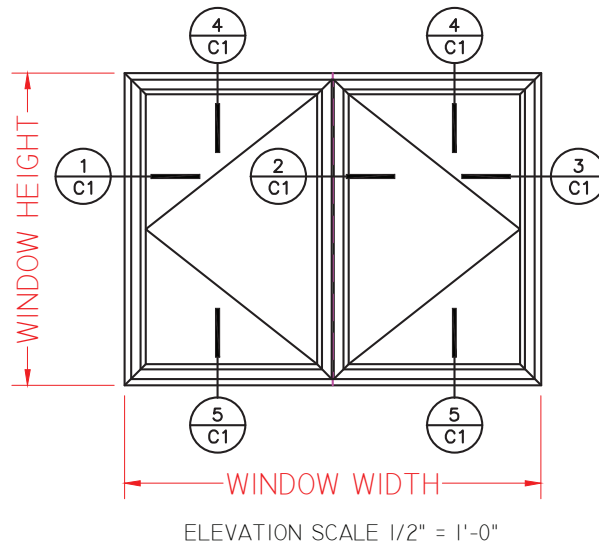
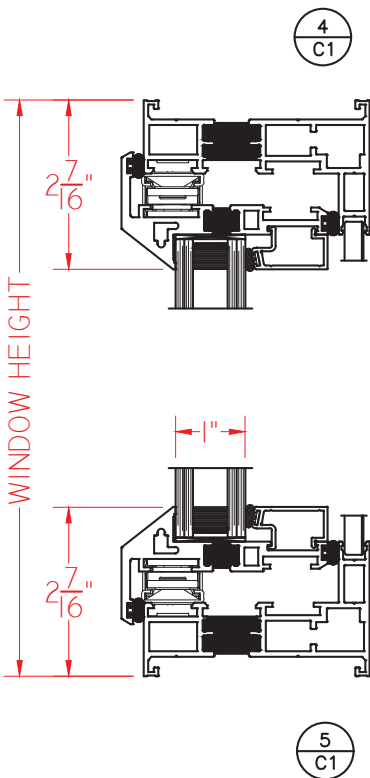
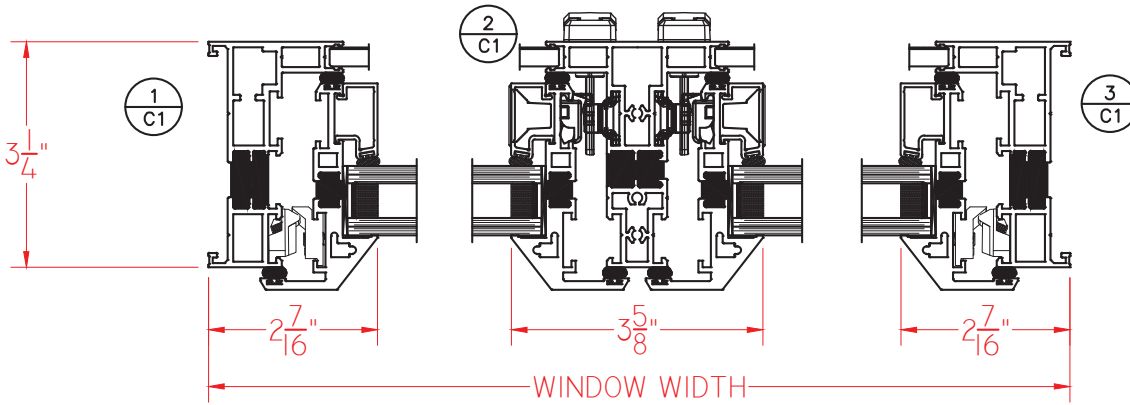




H450 Series
3 1/4" Frame Depth
Casement (Project-Out)

H450 CASEMENT/CASEMENT (PUSHOUT)

This document contains confidential and proprietary information intended for the private use of Quaker.
 © 2020 Quaker Window Products Co., INC. All rights reserved.
 Quaker reserves the right to change any/all designs without notice. Due to periodic re-certification requirements, result shown may vary.



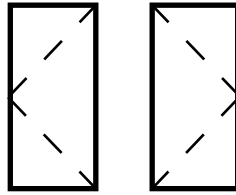
SCALE 1:3

Our products are tested to the standards of and certified by some of the foremost organizations in the fenestration industry.





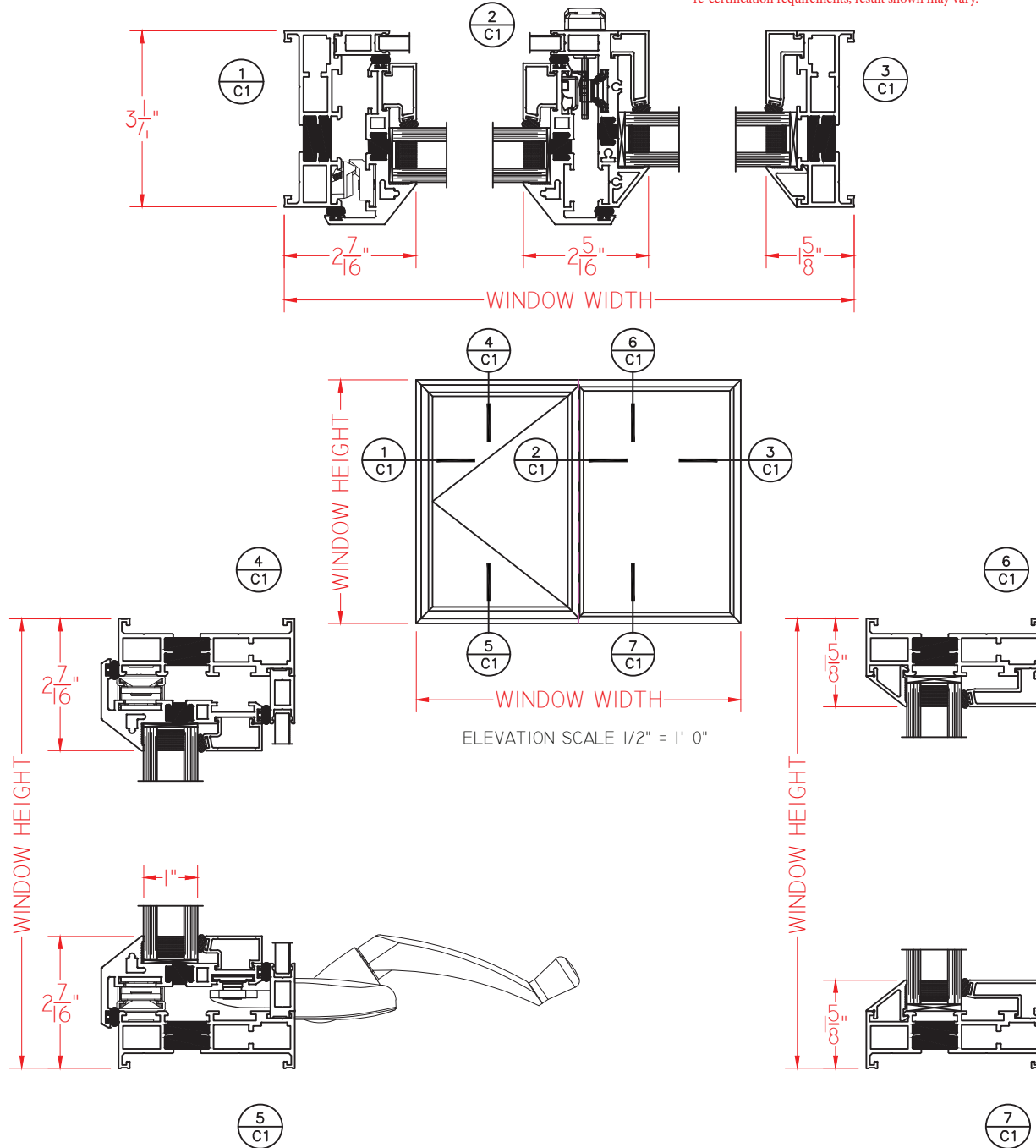
QUAKER
COMMERCIAL WINDOWS AND DOORS



H450 Series
3 1/4" Frame Depth
Casement (Project-Out)

H450 CASEMENT (CRANK OUT)/PICTURE WINDOW

This document contains confidential and proprietary information intended for the private use of Quaker.
© 2020 Quaker Window Products Co., INC. All rights reserved.
Quaker reserves the right to change any/all designs without notice. Due to periodic re-certification requirements, result shown may vary.



SCALE 1:3

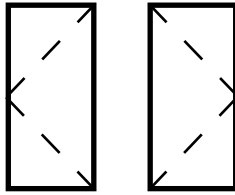
Our products are tested to the standards of and certified by some of the foremost organizations in the fenestration industry.



QUAKER
COMMERCIAL WINDOWS AND DOORS



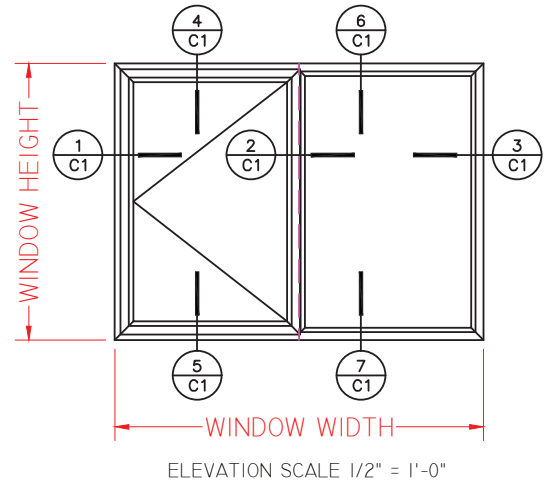
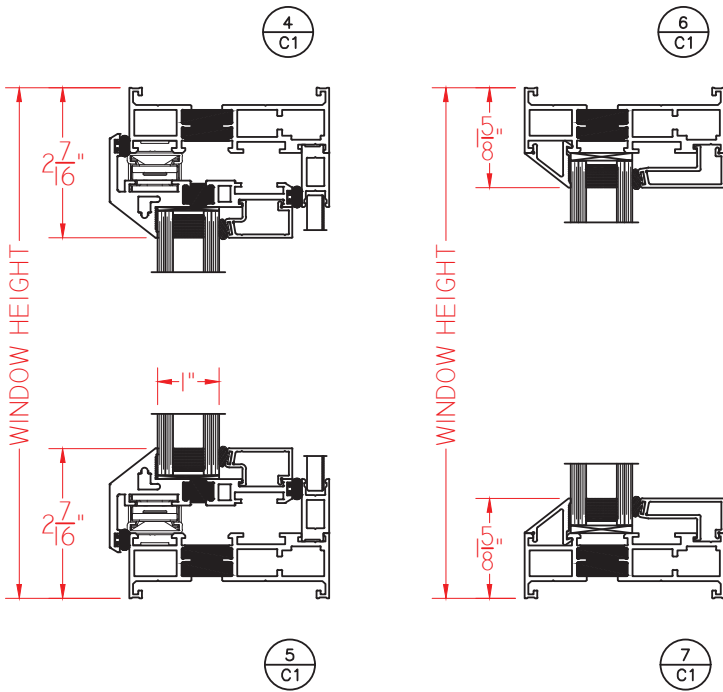
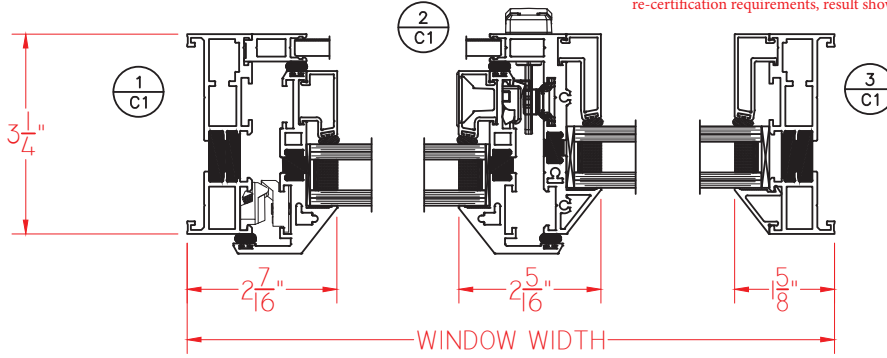
QUAKER
COMMERCIAL WINDOWS AND DOORS



H450 Series
3 1/4" Frame Depth
Casement (Project-Out)

H450 PICTURE WINDOW (PUSHOUT)/CASEMENT

This document contains confidential and proprietary information intended for the private use of Quaker.
© 2020 Quaker Window Products Co., INC. All rights reserved.
Quaker reserves the right to change any/all designs without notice. Due to periodic re-certification requirements, result shown may vary.

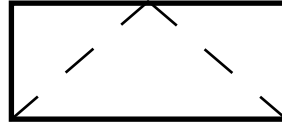


SCALE 1:3

Our products are tested to the standards of and certified by some of the foremost organizations in the fenestration industry.



QUAKER
COMMERCIAL WINDOWS AND DOORS



Historical
SERIES **H450 Series**
3 1/4" Frame Depth
Awning (Project-Out)

H450 SERIES AWNING (PROJECT-OUT)

The Quaker Historical H450 Series Awning window is ideal for a variety of applications including - Historical, Landmarks, Institutions and Education.

FEATURES

- ◇ Commercial Framing System
 - 3 1/4" main frame
 - Historically-correct bevel frame exterior
 - Minimum of 0.080" wall thickness
 - Dual Euro Groove System
 - Available with or without integral nailing fin
- ◇ Thermally Enhanced Design
 - Thermally-broken main frame and vent rails
 - Azon pour and debridge thermal break technology
- ◇ Glazing
 - 1" insulating glass
- ◇ Hardware
 - Maxim LP Locking System, 4-Bar Hinge and Roto Hardware on crank out model
 - Maxim LP Locking System, 4-Bar Hinge and Push/Pull Cup Hardware on push-out model
- ◇ Screen
 - Easily removable FlexScreen

OPTIONS

- ◇ Available Configurations
 - Project-out Awning
 - Push-out or Crank-out
 - Floating Operator
 - Continuous frame capabilities
 - Fixed
- ◇ Muntin Choices
 - Internal or simulated divided lites available
- ◇ Hardware
 - Limit Travel Accessories
- ◇ Screen
 - Wicket Screen (push-out model only)
- ◇ Glazing
 - Multiple Low-E and argon glazing choices
 - Glazing pocket can accept 1 3/8" insulating glass for sound attenuation purposes
 - Capillary tubes
 - Wide variety of glazing, tinting and thickness options
- ◇ Panning & Trim Choices
 - Wide variety of panning, receptor and trim available
- ◇ Mulling
 - Wide variety of structural mulls

BENEFITS

- ◇ Historically accurate profiles to help your project meet Historic Preservation codes
- ◇ The capacity to match exterior colors for unique project facades
- ◇ The ability to facilitate large sizes for taller and wider window openings

PERFORMANCE

- ◇ Structural & Thermal (test reports or thermal simulations available upon request)

Model	Awning (Project-Out)
Test Size:	60" x 36"
NAFS Rating	CW-70*
Structural Load P.S.F.	105*
Air at 50 MPH (cfm/ft ²)	<0.10*
Water (No Penetration) P.S.F.	12*
U-Value (ranges based on multiple Low-E/Argon combinations)	0.40-0.60*
SHGC (ranges based on multiple Low-E/Argon combinations)	0.14-0.59*

Certification testing in progress as of 5-18-2020.

* = Performance numbers and NAFS Ratings are projected.

Our products are tested to the standards of and certified by some of the foremost organizations in the fenestration industry.



ARCHITECTURAL PAINT COATINGS AND FINISHES

◇ Baked on powder coat finish meets AAMA 2604 (an FGIA specification) and is available in unlimited colors

- Quaker Impressive Palette of Colors



- 7 Resemble Colors (painted finish resembling anodized)



- Unlimited Custom Colors

◇ AAMA 2605 (an FGIA specification) powder coat finishes (not available for all colors shown)

◇ SolarLE Paint Finish (available with Textured Black and Dark Espresso colors only)

◇ AAMA 611-98 Class I clear and tinted anodized finishes

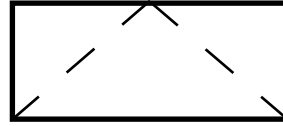
* Printed colors shown here may not accurately depict actual painted colors. Color samples are available upon request.

Our products are tested to the standards of and certified by some of the foremost organizations in the fenestration industry.





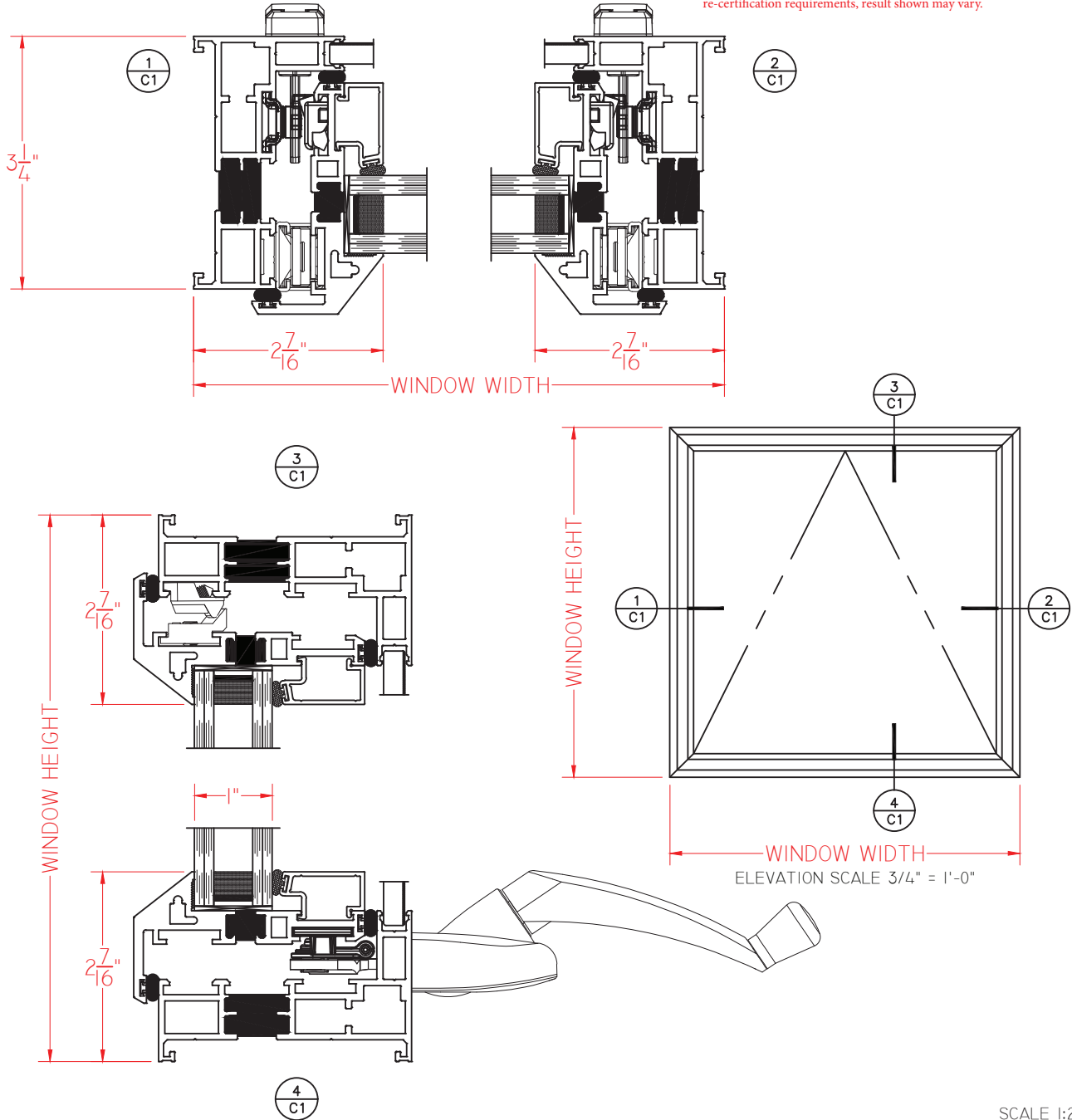
QUAKER
COMMERCIAL WINDOWS AND DOORS



H450 Series
3 1/4" Frame Depth
Awning (Project-Out)

H450 AWNING WITHOUT NAILING FIN (CRANK OUT)

This document contains confidential and proprietary information intended for the private use of Quaker.
© 2020 Quaker Window Products Co., INC. All rights reserved.
Quaker reserves the right to change any/all designs without notice. Due to periodic re-certification requirements, result shown may vary.



SCALE 1:2

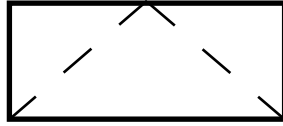
Our products are tested to the standards of and certified by some of the foremost organizations in the fenestration industry.



QUAKER
COMMERCIAL WINDOWS AND DOORS



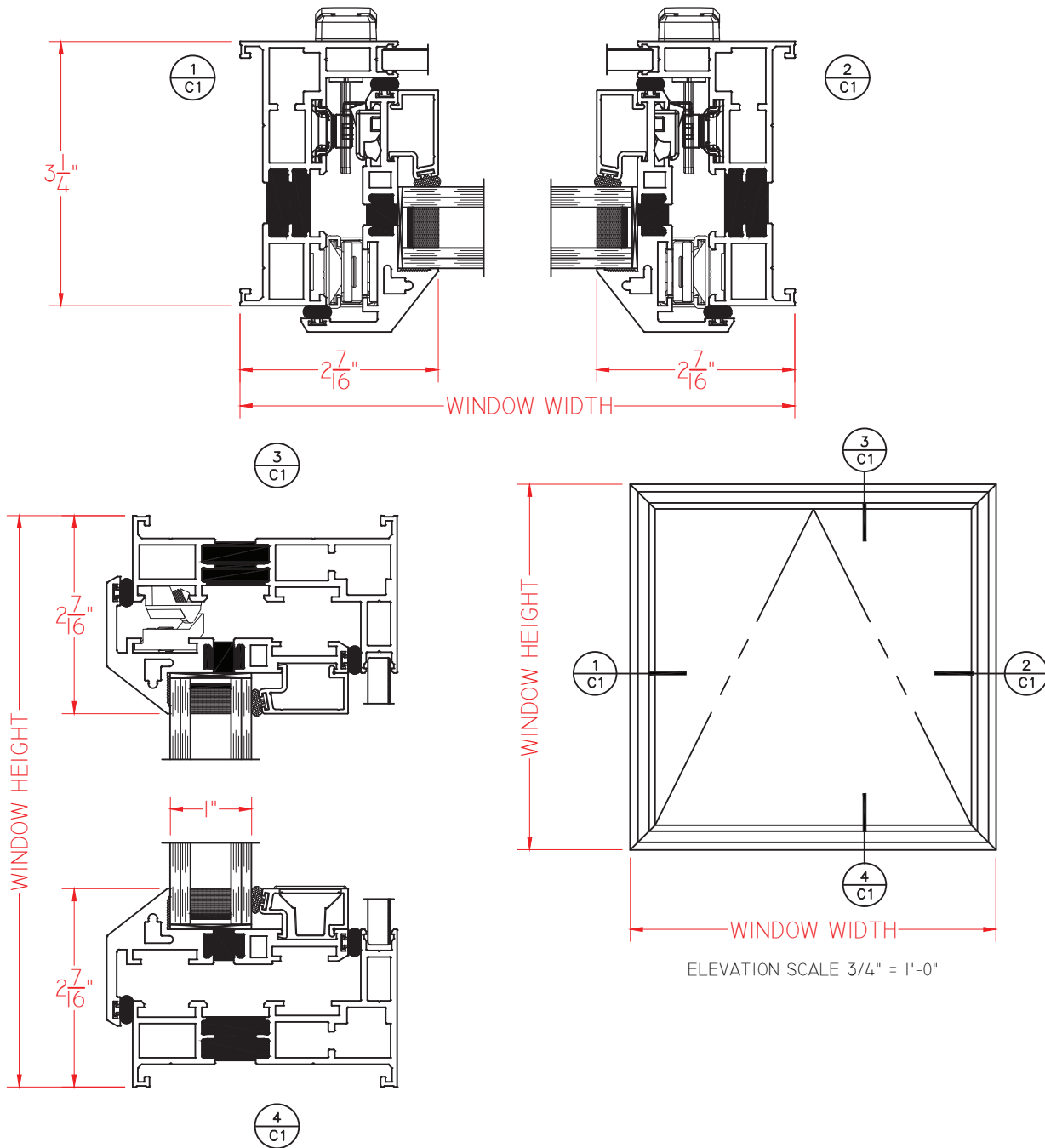
QUAKER
COMMERCIAL WINDOWS AND DOORS



H450 Series
3 1/4" Frame Depth
Awning (Project-Out)

H450 AWNING WITHOUT NAILING FIN (PUSH OUT)

This document contains confidential and proprietary information intended for the private use of Quaker.
© 2020 Quaker Window Products Co., INC. All rights reserved.
Quaker reserves the right to change any/all designs without notice. Due to periodic re-certification requirements, result shown may vary.



SCALE 1:2

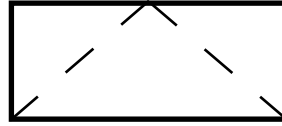
Our products are tested to the standards of and certified by some of the foremost organizations in the fenestration industry.



QUAKER
COMMERCIAL WINDOWS AND DOORS



QUAKER
COMMERCIAL WINDOWS AND DOORS

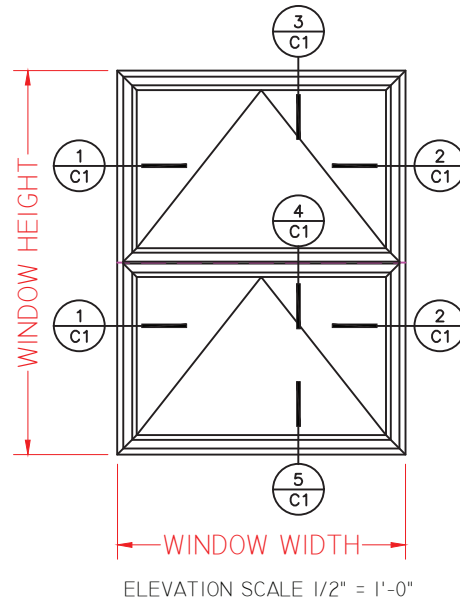
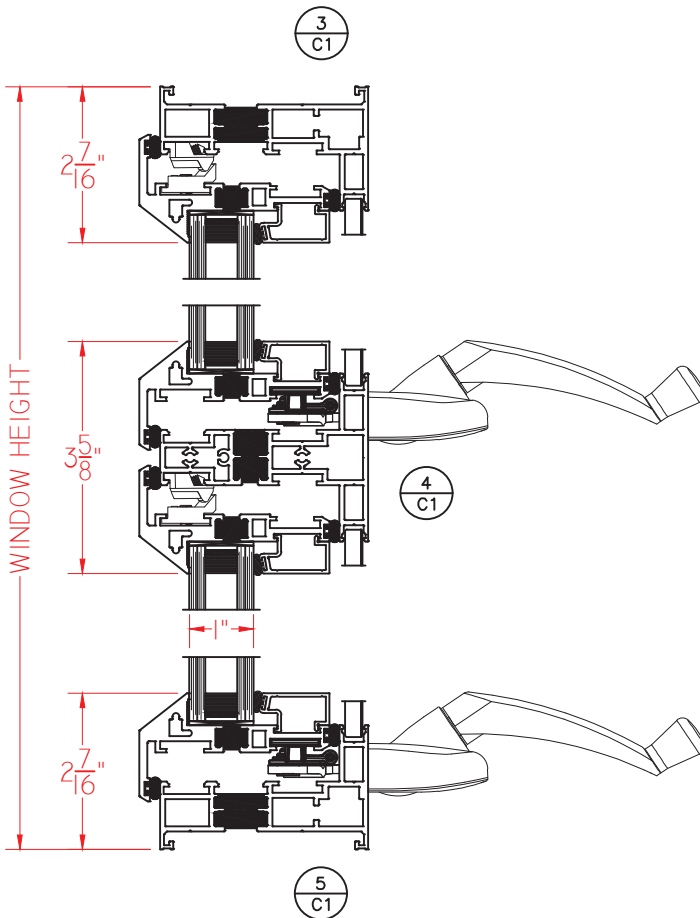
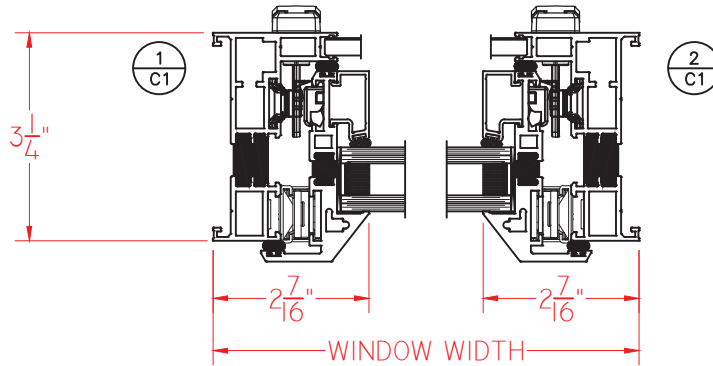


Historical
SERIES

H450 Series
3 1/4" Frame Depth
Awning (Project-Out)

H450 AWNING/AWNING (CRANK OUT)

This document contains confidential and proprietary information intended for the private use of Quaker.
© 2020 Quaker Window Products Co., INC. All rights reserved.
Quaker reserves the right to change any/all designs without notice. Due to periodic re-certification requirements, result shown may vary.



SCALE 1:3

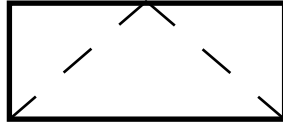
Our products are tested to the standards of and certified by some of the foremost organizations in the fenestration industry.



QUAKER
COMMERCIAL WINDOWS AND DOORS



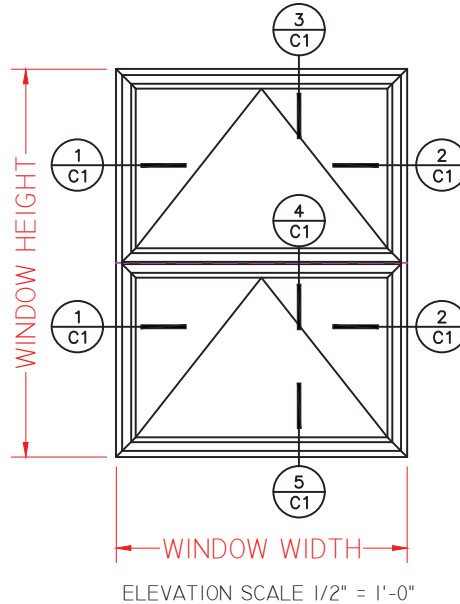
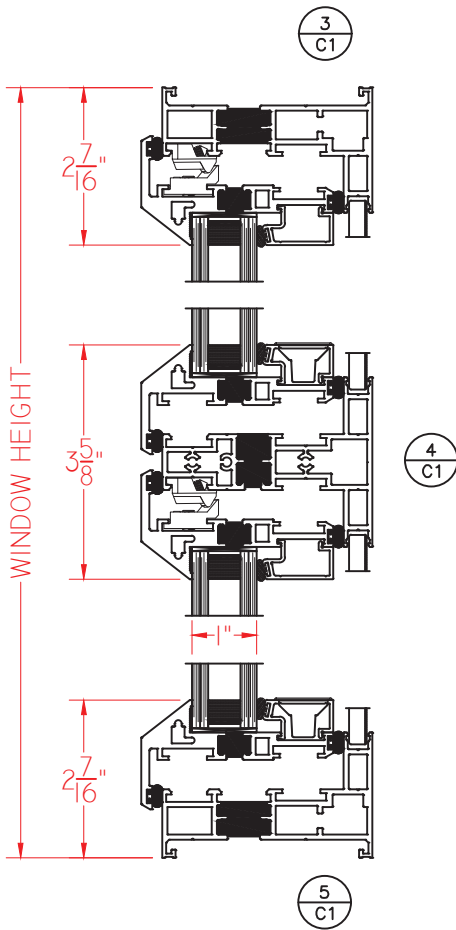
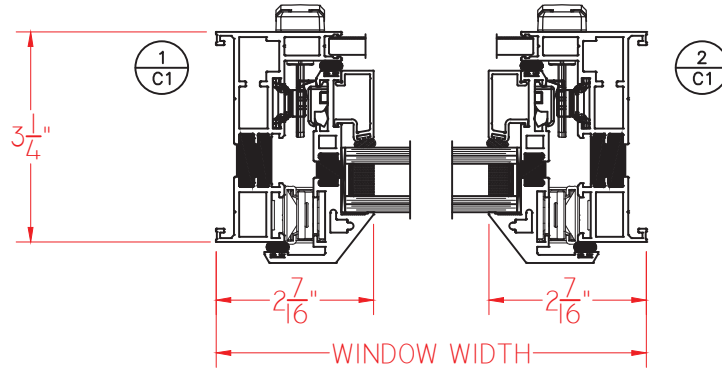
QUAKER
COMMERCIAL WINDOWS AND DOORS



H450 Series
3 1/4" Frame Depth
Awning (Project-Out)

H450 AWNING/AWNING (PUSH OUT)

This document contains confidential and proprietary information intended for the private use of Quaker.
© 2020 Quaker Window Products Co., INC. All rights reserved.
Quaker reserves the right to change any/all designs without notice. Due to periodic re-certification requirements, result shown may vary.



SCALE 1:3

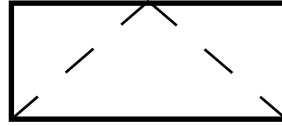
Our products are tested to the standards of and certified by some of the foremost organizations in the fenestration industry.



QUAKER
COMMERCIAL WINDOWS AND DOORS



QUAKER
COMMERCIAL WINDOWS AND DOORS

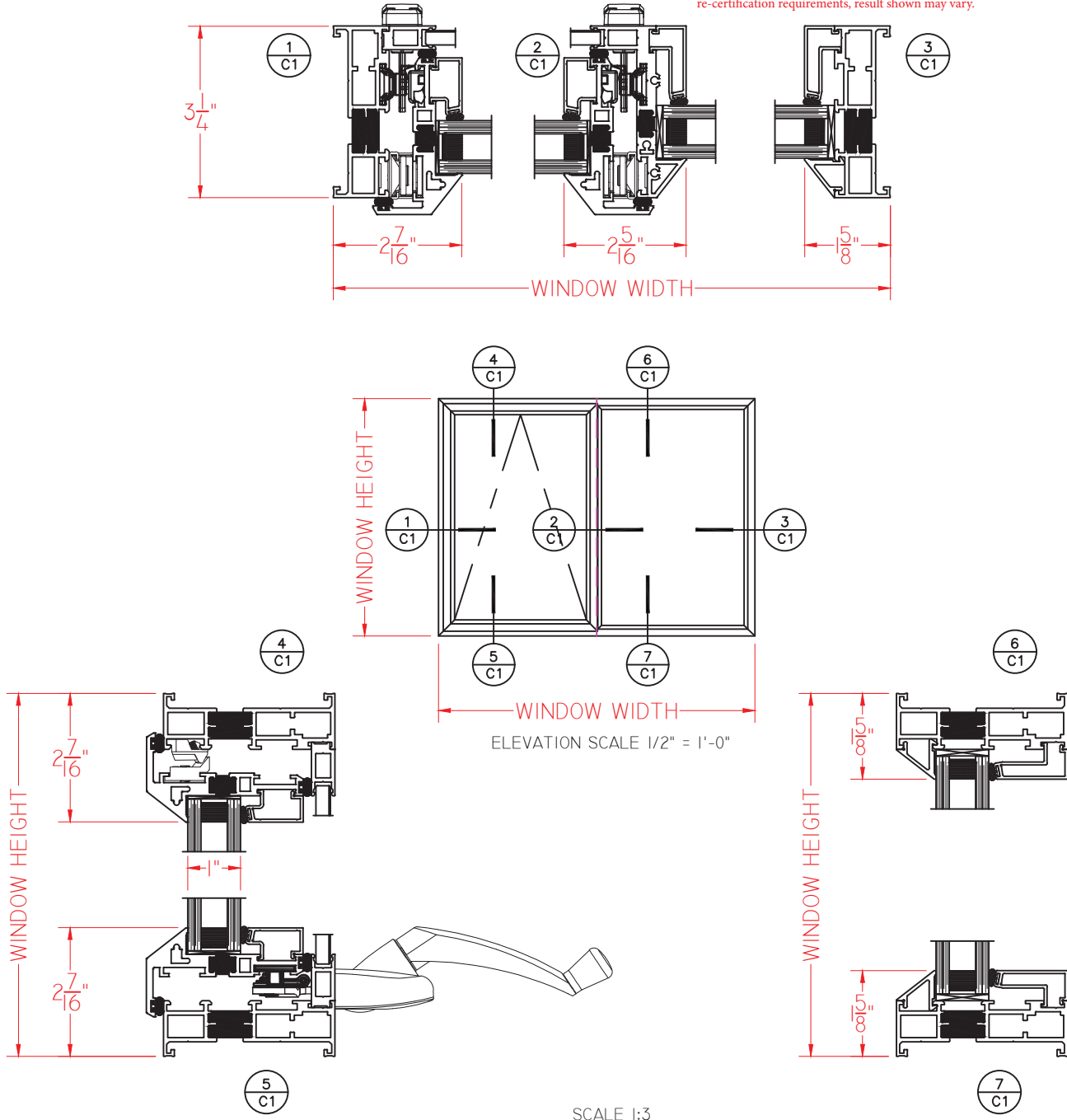


Historical
SERIES

H450 Series
3 1/4" Frame Depth
Awning (Project-Out)

H450 AWNING (CRANK OUT)/PICTURE WINDOW

This document contains confidential and proprietary information intended for the private use of Quaker.
© 2020 Quaker Window Products Co., INC. All rights reserved.
Quaker reserves the right to change any/all designs without notice. Due to periodic re-certification requirements, result shown may vary.



SCALE 1:3

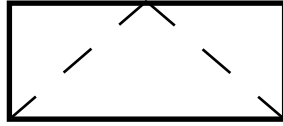
Our products are tested to the standards of and certified by some of the foremost organizations in the fenestration industry.



QUAKER
COMMERCIAL WINDOWS AND DOORS



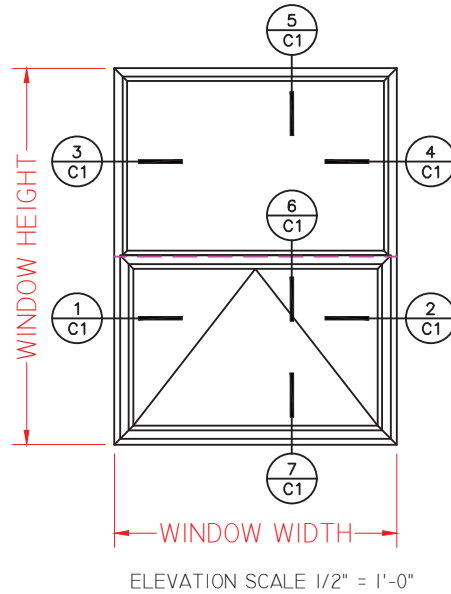
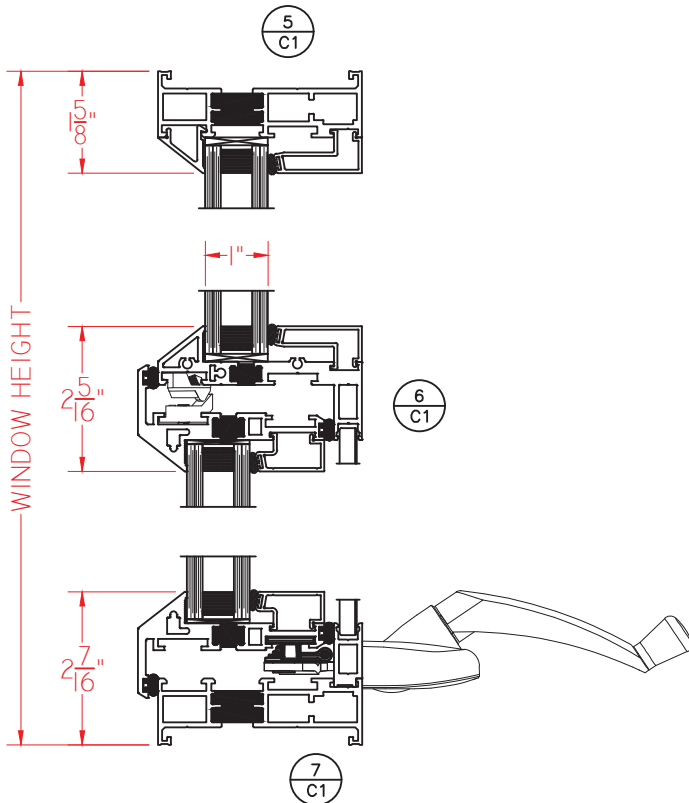
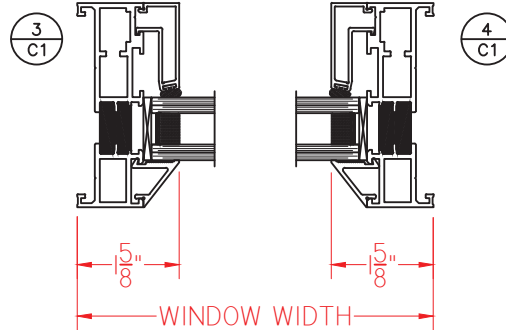
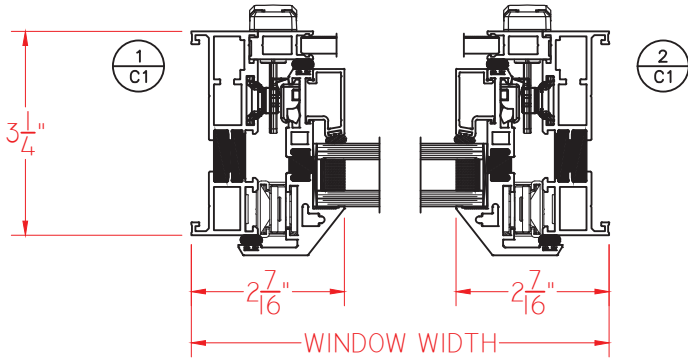
QUAKER
COMMERCIAL WINDOWS AND DOORS



H450 Series
3 1/4" Frame Depth
Awning (Project-Out)

H450 AWNING (CRANK OUT)/PICTURE WINDOW

This document contains confidential and proprietary information intended for the private use of Quaker.
© 2020 Quaker Window Products Co., INC. All rights reserved.
Quaker reserves the right to change any/all designs without notice. Due to periodic re-certification requirements, result shown may vary.



SCALE 1:3

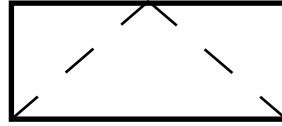
Our products are tested to the standards of and certified by some of the foremost organizations in the fenestration industry.



QUAKER
COMMERCIAL WINDOWS AND DOORS



QUAKER
COMMERCIAL WINDOWS AND DOORS

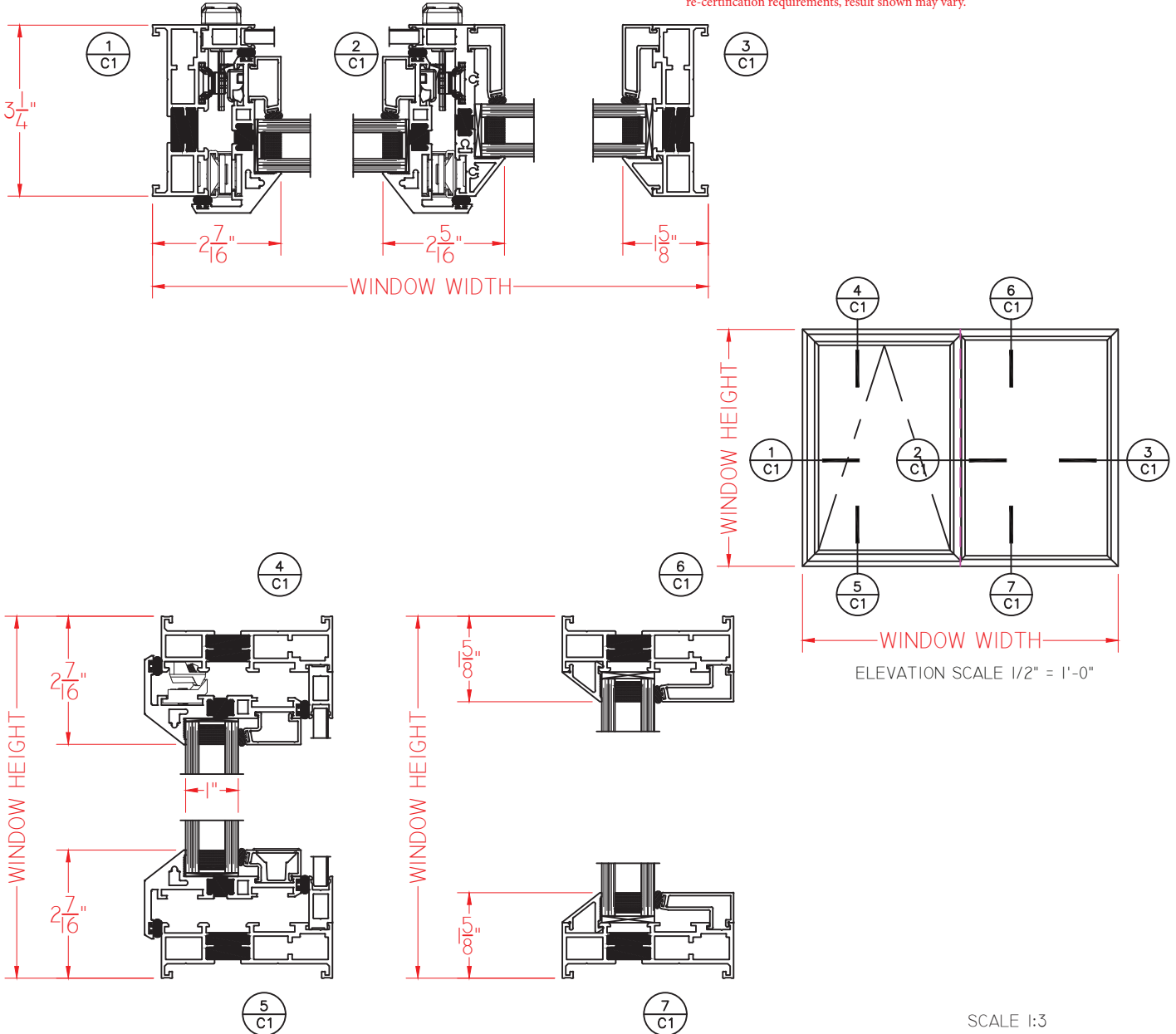


Historical
SERIES

H450 Series
3 1/4" Frame Depth
Awning (Project-Out)

H450 PICTURE WINDOW/AWNING (PUSHOUT)

This document contains confidential and proprietary information intended for the private use of Quaker.
© 2020 Quaker Window Products Co., INC. All rights reserved.
Quaker reserves the right to change any/all designs without notice. Due to periodic re-certification requirements, result shown may vary.



SCALE 1:3

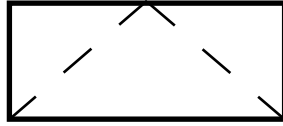
Our products are tested to the standards of and certified by some of the foremost organizations in the fenestration industry.



QUAKER
COMMERCIAL WINDOWS AND DOORS



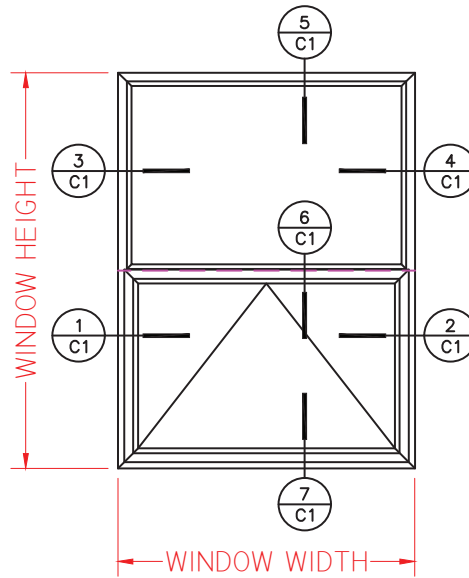
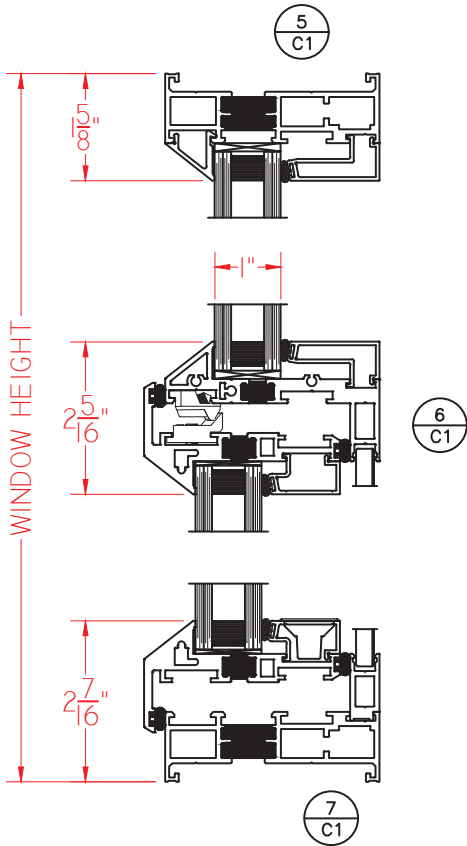
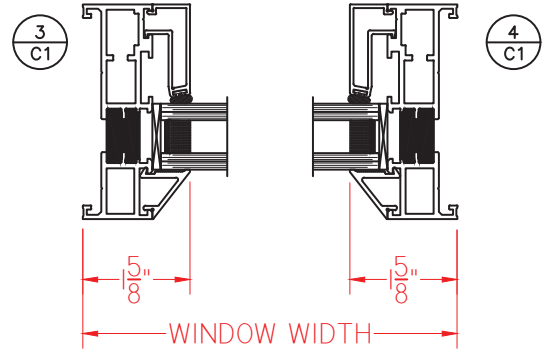
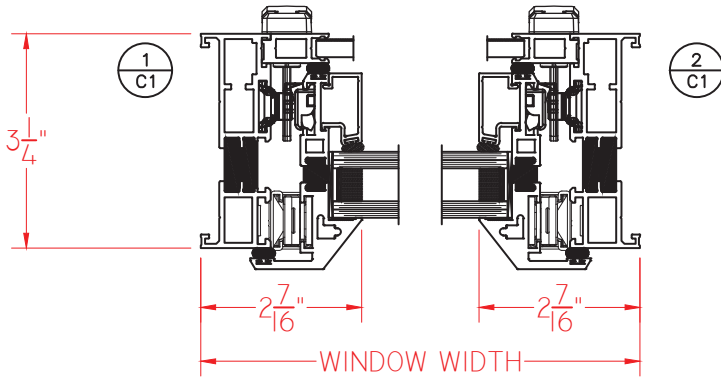
QUAKER
COMMERCIAL WINDOWS AND DOORS



H450 Series
3 1/4" Frame Depth
Awning (Project-Out)

H450 PICTURE WINDOW/AWNING (PUSHOUT)

This document contains confidential and proprietary information intended for the private use of Quaker.
© 2020 Quaker Window Products Co., INC. All rights reserved.
Quaker reserves the right to change any/all designs without notice. Due to periodic re-certification requirements, result shown may vary.



ELEVATION SCALE 1/2" = 1'-0"

SCALE 1:3

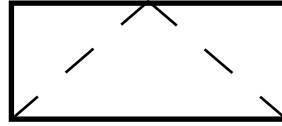
Our products are tested to the standards of and certified by some of the foremost organizations in the fenestration industry.



QUAKER
COMMERCIAL WINDOWS AND DOORS



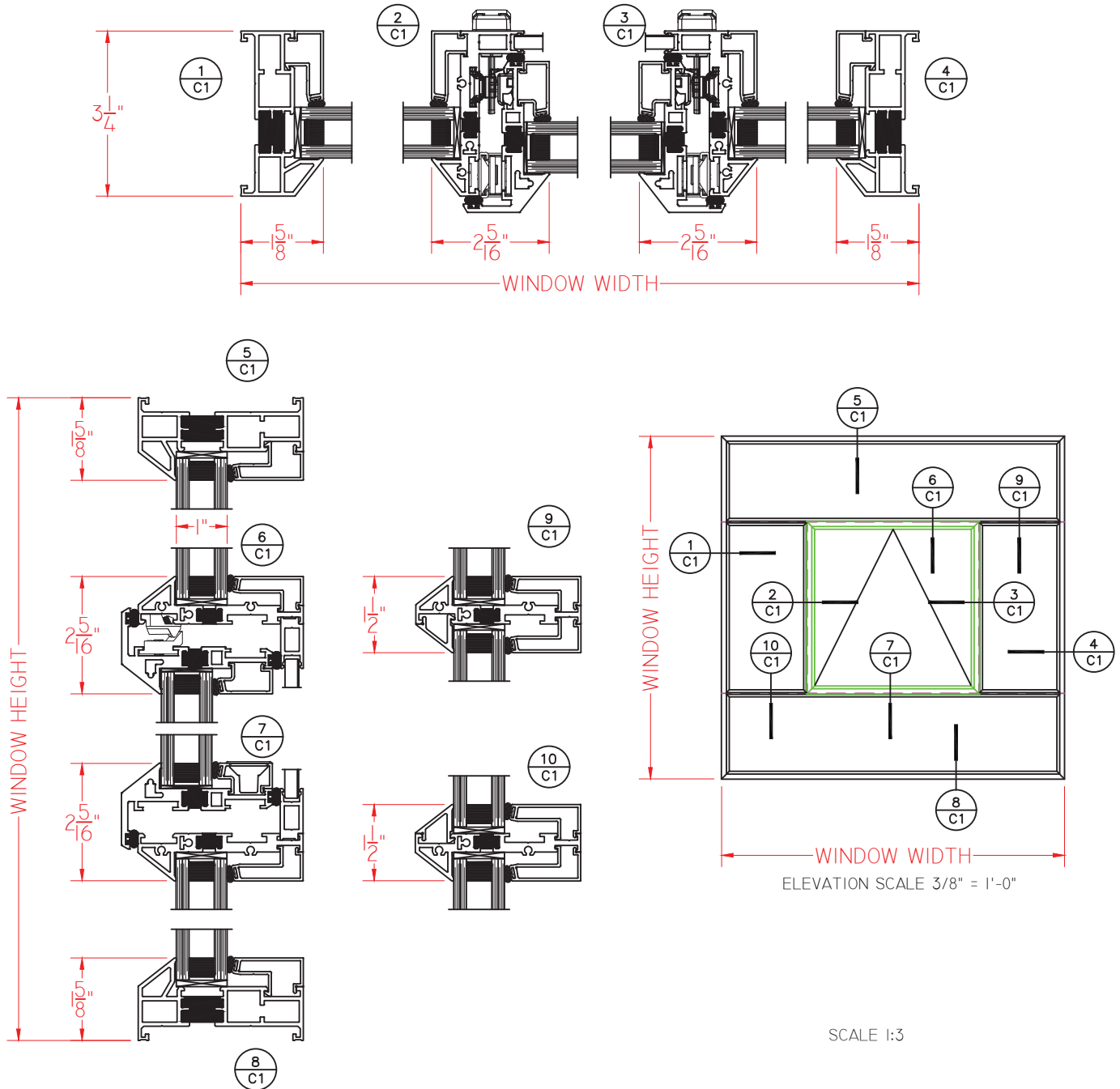
QUAKER
COMMERCIAL WINDOWS AND DOORS



H450 Series
3 1/4" Frame Depth
Awning (Project-Out)

H450 FLOATING OPERATOR (PICTURE WINDOW/AWNING)

This document contains confidential and proprietary information intended for the private use of Quaker.
© 2020 Quaker Window Products Co., INC. All rights reserved.
Quaker reserves the right to change any/all designs without notice. Due to periodic re-certification requirements, result shown may vary.



Our products are tested to the standards of and certified by some of the foremost organizations in the fenestration industry.



QUAKER
COMMERCIAL WINDOWS AND DOORS



CHURCH'S LUMBER YARDS (COM)

Quotation:	Phone: 248-852-3600	107 S. SQUIRREL ROAD
	Fax: 1-248-852-0950	AUBURN HILLS, MI 48326
Quote Name: 19566 Canterbury	Quote #:	SQMRP001049_1
User Name: Denise Smith		

Quoted For: CHURCH'S LUMBER YARDS (COM)
 107 S. SQUIRREL ROAD
 AUBURN HILLS, MI 48326
 US

Ship-To: CHURCH'S LUMBER YARDS (COM)

Prepared By: Tony Reedy
 treedy9@hotmail.com

Created On: 10/25/2024
Available To: 12/24/2024

Quote Information

Total Value: \$42,589.05 **Status:** Open

Header:

Terms:

Pricing:

All terms and conditions of this quote, including units, quantities, and accessories, are verified and accepted by the undersigned for purchase. Any changes made are rejected unless accepted and approved by Quaker.

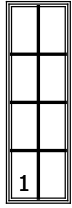
Signature and PO # is required for order placement

Accepted By _____ Date _____ Po# _____

Quote Name: 19566 Canterbury

Quote #: SQMRP001049_1

Line	Label	Quantity	UOM	Part Number	Unit	Extended
1		7	EA	Quaker Unit		\$971.48 \$6,800.37



Series: 3 1/4" - Historic (H450)

Exact Size: 20 1/2 X 64 3/4

Color:Black,Paint Type:2604,

Glass:EnergyBasic (Dual Silver),

Muntin:Custom SDL,

Exterior:16154 5/8" Raised ,Between GlS:3/8" x 3/8" Internal,Interior:5950 3/4" Flat,

Muntin Color:Exterior:Black,Between GlS:Black,Interior:Black,

Install AccNo Nailing Fin,

Frame Depth:3 1/4",

Ext. Casing23977 Preset Panning,Factory Apply: No - Precut and Ship Loose, Cut Angle: Straight,

Ext. Subsill6939 3" Sill Panning,Factory Apply: Yes, Cut Angle: Straight,

Perimeter Acc Color:Black,

** Viewed From Exterior **

Unit:1-Direct Set Exact Size: 20 1/2 X 64 3/4,

NFRC - U-Factor:0.35SHGC:0.34VT:0.57AL:≤0.3CR:58

NFRC Stickers

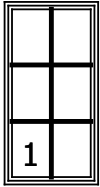
Rating: DP-50

Fixed Glass:Cardinal LowE 272 - DSB / Clear - DSB,Strength:Annealed Glass

Overall Rating: DP-50

Total Weight 57 lbs.

2		1	EA	Quaker Unit		\$801.61 \$801.61
---	--	---	----	-------------	--	-------------------



Series: 3 1/4" - Historic (H450)

Exact Size: 20 1/2 X 40

Color:Black,Paint Type:2604,

Glass:EnergyBasic (Dual Silver),

Muntin:Custom SDL,

Exterior:16154 5/8" Raised ,Between GlS:3/8" x 3/8" Internal,Interior:5950 3/4" Flat,

Muntin Color:Exterior:Black,Between GlS:Black,Interior:Black,

Install AccNo Nailing Fin,

Frame Depth:3 1/4",

Ext. Casing23977 Preset Panning,Factory Apply: No - Precut and Ship Loose, Cut Angle: Straight,

Ext. Subsill6939 3" Sill Panning,Factory Apply: Yes, Cut Angle: Straight,

Perimeter Acc Color:Black,

** Viewed From Exterior **

Unit:1-Direct Set Exact Size: 20 1/2 X 40,

NFRC - U-Factor:0.35SHGC:0.34VT:0.57AL:≤0.3CR:58

NFRC Stickers

Rating: DP-50

Fixed Glass:Cardinal LowE 272 - DSB / Clear - DSB,Strength:Annealed Glass

Overall Rating: DP-50

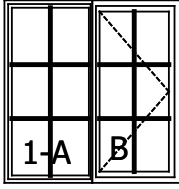
Total Weight 38 lbs.

3		1	EA	Quaker Unit		\$1,652.26 \$1,652.26
---	--	---	----	-------------	--	-----------------------

Quote Name: 19566 Canterbury

Quote #:

SQMRP001049_1



**** Viewed From Exterior ****

Series: 3 1/4" - Historic (H450)

Exact Size: 38 1/2 X 40

Color:Black,Paint Type:2604,

Glass:EnergyBasic (Dual Silver),

Muntin:Custom SDL,

Exterior:16154 5/8" Raised ,Between Gl:3/8" x 3/8" Internal,Interior:5950 3/4" Flat,

Muntin Color:Exterior:Black,Between Gl:Black,Interior:Black,

Hardware:Satin/Brushed Nickel,Vent:4 Bar Push Out,

Screen:Wicket Screen,Material:Aluminum Wire,Ship:Ship Screen Separate,

Install AccNo Nailing Fin,

Frame Depth:3 1/4",

Ext. Casing23977 Preset Panning,Factory Apply: No - Precut and Ship Loose, Cut Angle: Straight,

Ext. Subsill6939 3" Sill Panning,Factory Apply: Yes, Cut Angle: Straight,

Perimeter Acc Color:Black,

Unit:1-2 - Cont Frame - 2 Wide

1A-Fixed,1B-Vent - Right Push Out - Cam Handle,

Exact Size: 38 1/2 X 40,Section A Width:19.25,

Clear Opening: 8 11/16 X 34 9/16

Clear Opening Sqft: 2 1/8SecB: **Not Egress**,

Clear Opening: 8 11/16 X 34 9/16

Clear Opening Sqft: 2 1/8

NFRC - U-Factor:0.46SHGC:0.29VT:0.48AL:≤0.3CR:48

NFRC Stickers

Rating: DP-50

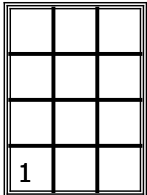
Left Glass:Cardinal LowE 272 - DSB / Clear - DSB,Strength:Annealed Glass

Right Glass:Cardinal LowE 272 - DSB / Clear - DSB,Strength:Annealed Glass

Overall Rating: DP-50

Total Weight 77 lbs.

4	1	EA	Quaker Unit	\$1,151.89	\$1,151.89
---	---	----	-------------	------------	------------



**** Viewed From Exterior ****

Series: 3 1/4" - Historic (H450)

Exact Size: 38 3/4 X 53

Color:Black,Paint Type:2604,

Glass:EnergyBasic (Dual Silver),

Muntin:Custom SDL,

Exterior:16154 5/8" Raised ,Between Gl:3/8" x 3/8" Internal,Interior:5950 3/4" Flat,

Muntin Color:Exterior:Black,Between Gl:Black,Interior:Black,

Install AccNo Nailing Fin,

Frame Depth:3 1/4",

Ext. Casing23977 Preset Panning,Factory Apply: No - Precut and Ship Loose, Cut Angle: Straight,

Ext. Subsill6939 3" Sill Panning,Factory Apply: Yes, Cut Angle: Straight,

Perimeter Acc Color:Black,

Unit:1-Direct Set Exact Size: 38 3/4 X 53,

NFRC - U-Factor:0.35SHGC:0.34VT:0.57AL:≤0.3CR:58

NFRC Stickers

Rating: DP-50

Fixed Glass:Cardinal LowE 272 - DSB / Clear - DSB,Strength:Annealed Glass

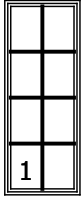
Overall Rating: DP-50

Total Weight 76 lbs.

Quote Name: 19566 Canterbury

Quote #: SQMRP001049_1

5	2 EA	Quaker Unit	\$903.41	\$1,806.82
---	------	-------------	----------	------------



Series: 3 1/4" - Historic (H450)

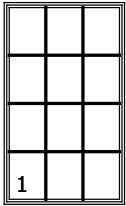
Exact Size: 20 1/2 X 53
 Color:Black,Paint Type:2604,
 Glass:EnergyBasic (Dual Silver),
 Muntin:Custom SDL,
 Exterior:16154 5/8" Raised ,Between GlS:3/8" x 3/8" Internal,Interior:5950 3/4" Flat,
 Muntin Color:Exterior:Black,Between GlS:Black,Interior:Black,
 Install AccNo Nailing Fin,
 Frame Depth:3 1/4",
 Ext. Casing23977 Preset Panning,Factory Apply: No - Precut and Ship Loose, Cut Angle: Straight,
 Ext. Subsill6939 3" Sill Panning,Factory Apply: Yes, Cut Angle: Straight,
 Perimeter Acc Color:Black,

** Viewed From Exterior **

Unit:1-Direct Set Exact Size: 20 1/2 X 53,
 NFRC - U-Factor:0.35SHGC:0.34VT:0.57AL:≤0.3CR:58
 NFRC Stickers
 Rating: DP-50
 Fixed Glass:Cardinal LowE 272 - DSB / Clear - DSB,Strength:Annealed Glass

Overall Rating: DP-50
 Total Weight 48 lbs.

6	2 EA	Quaker Unit	\$1,245.98	\$2,491.96
---	------	-------------	------------	------------



Series: 3 1/4" - Historic (H450)

Exact Size: 38 3/4 X 65
 Color:Black,Paint Type:2604,
 Glass:EnergyBasic (Dual Silver),
 Muntin:Custom SDL,
 Exterior:16154 5/8" Raised ,Between GlS:3/8" x 3/8" Internal,Interior:5950 3/4" Flat,
 Muntin Color:Exterior:Black,Between GlS:Black,Interior:Black,
 Install AccNo Nailing Fin,
 Frame Depth:3 1/4",
 Ext. Casing23977 Preset Panning,Factory Apply: No - Precut and Ship Loose, Cut Angle: Straight,
 Ext. Subsill6939 3" Sill Panning,Factory Apply: Yes, Cut Angle: Straight,
 Perimeter Acc Color:Black,

** Viewed From Exterior **

Unit:1-Direct Set Exact Size: 38 3/4 X 65,
 NFRC - U-Factor:0.35SHGC:0.34VT:0.57AL:≤0.3CR:58
 NFRC Stickers
 Rating: DP-50*G
 Fixed Glass:Cardinal LowE 272 - DSB / Clear - DSB,Strength:Annealed Glass

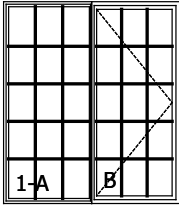
Overall Rating: DP-50
 Total Weight 91 lbs.

7	2 EA	Quaker Unit	\$2,441.31	\$4,882.63
---	------	-------------	------------	------------

Quote Name: 19566 Canterbury

Quote #:

SQMRP001049_1



**** Viewed From Exterior ****

Series: 3 1/4" - Historic (H450)

Exact Size: 56 3/4 X 65

Color:Black,Paint Type:2604,

Glass:EnergyBasic (Dual Silver),

Muntin:Custom SDL,

Exterior:16154 5/8" Raised ,Between GlS:3/8" x 3/8" Internal,Interior:5950 3/4" Flat,

Muntin Color:Exterior:Black,Between GlS:Black,Interior:Black,

Hardware:Black,Vent:Standard - Chic,Ship Hardware:Separate,

Screen:Flex Screen,Material:Flex Screen,Ship:Ship Screen Separate,

Install AccNo Nailing Fin,

Frame Depth:3 1/4",

Ext. Casing23977 Preset Panning,Factory Apply: No - Precut and Ship Loose, Cut Angle: Straight,

Ext. Subsill6939 3" Sill Panning,Factory Apply: Yes, Cut Angle: Straight,

Perimeter Acc Color:Black,

Unit:1-2 - Cont Frame - 2 Wide

1A-Fixed,1B-Vent - Right Roto - Chic Hinge,

Exact Size: 56 3/4 X 65,Section A Width:28.375,

Clear Opening: 23 15/16 X 59 9/16

Clear Opening Sqft: 9 15/16SecB: Meets Egress

Clear Opening: 23 15/16 X 59 9/16

Clear Opening Sqft: 9 15/16

NFRC - U-Factor:0.46SHGC:0.29VT:0.48AL:≤0.3CR:48

NFRC Stickers

Rating: DP-50 *

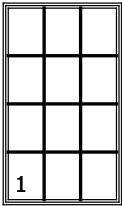
Left Glass:Cardinal LowE 272 - DSB / Clear - DSB,Strength:Annealed Glass

Right Glass:Cardinal LowE 272 - DSB / Clear - DSB,Strength:Annealed Glass

Overall Rating: DP-50

Total Weight 147 lbs.

8	2 EA	Quaker Unit	\$1,235.46	\$2,470.92
---	------	-------------	------------	------------



**** Viewed From Exterior ****

Series: 3 1/4" - Historic (H450)

Exact Size: 38 X 64 3/4

Color:Black,Paint Type:2604,

Glass:EnergyBasic (Dual Silver),

Muntin:Custom SDL,

Exterior:16154 5/8" Raised ,Between GlS:3/8" x 3/8" Internal,Interior:5950 3/4" Flat,

Muntin Color:Exterior:Black,Between GlS:Black,Interior:Black,

Install AccNo Nailing Fin,

Frame Depth:3 1/4",

Ext. Casing23977 Preset Panning,Factory Apply: No - Precut and Ship Loose, Cut Angle: Straight,

Ext. Subsill6939 3" Sill Panning,Factory Apply: Yes, Cut Angle: Straight,

Perimeter Acc Color:Black,

Unit:1-Direct Set Exact Size: 38 X 64 3/4,

NFRC - U-Factor:0.35SHGC:0.34VT:0.57AL:≤0.3CR:58

NFRC Stickers

Rating: DP-50

Fixed Glass:Cardinal LowE 272 - DSB / Clear - DSB,Strength:Annealed Glass

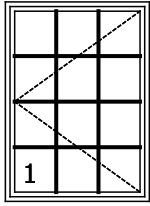
Overall Rating: DP-50

Total Weight 89 lbs.

Quote Name: 19566 Canterbury

Quote #: SQMRP001049_1

9	4 EA	Quaker Unit	\$1,658.18	\$6,632.73
---	------	-------------	------------	------------



** Viewed From Exterior **

Series: 3 1/4" - Historic (H450)

Exact Size: 38 1/4 X 53

Color:Black,Paint Type:2604,

Glass:EnergyBasic (Dual Silver),

Muntin:Custom SDL,

Exterior:16154 5/8" Raised ,Between GlS:3/8" x 3/8" Internal,Interior:5950 3/4" Flat,

Muntin Color:Exterior:Black,Between GlS:Black,Interior:Black,

Hardware:Black,Vent:Standard - Chic,Ship Hardware:Separate,

Screen:Flex Screen,Material:Flex Screen,Ship:Ship Screen Separate,

Install AccNo Nailing Fin,

Frame Depth:3 1/4",

Ext. Casing23977 Preset Panning,Factory Apply: No - Precut and Ship Loose, Cut Angle: Straight,

Ext. Subsill6939 3" Sill Panning,Factory Apply: Yes, Cut Angle: Straight,

Perimeter Acc Color:Black,

Unit:1-Casement Hinge Left Roto - Chic Hinge Exact Size: 38 1/4 X 53,Meets Egress

Clear Opening: 29 1/4 X 47 9/16

Clear Opening Sqft: 9 5/8

NFRC - U-Factor:0.46SHGC:0.29VT:0.48AL:≤0.3CR:48

NFRC Stickers

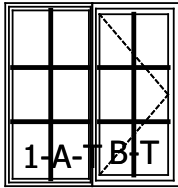
Rating: DP-50 *

Left Glass:Cardinal LowE 272 - DSB / Clear - DSB,Strength:Annealed Glass

Overall Rating: DP-50

Total Weight 89 lbs.

10	1 EA	Quaker Unit	\$1,746.07	\$1,746.07
----	------	-------------	------------	------------



** Viewed From Exterior **

Series: 3 1/4" - Historic (H450)

Exact Size: 38 1/2 X 40 1/2

Color:Black,Paint Type:2604,

Glass:EnergyBasic (Dual Silver),Tempered,

Muntin:Custom SDL,

Exterior:16154 5/8" Raised ,Between GlS:3/8" x 3/8" Internal,Interior:5950 3/4" Flat,

Muntin Color:Exterior:Black,Between GlS:Black,Interior:Black,

Hardware:Satin/Brushed Nickel,Vent:4 Bar Push Out,

Screen:Wicket Screen,Material:Aluminum Wire,Ship:Ship Screen Separate,

Install AccNo Nailing Fin,

Frame Depth:3 1/4",

Ext. Casing23977 Preset Panning,Factory Apply: No - Precut and Ship Loose, Cut Angle: Straight,

Ext. Subsill6939 3" Sill Panning,Factory Apply: Yes, Cut Angle: Straight,

Perimeter Acc Color:Black,

Unit:1-2 - Cont Frame - 2 Wide

1A-Fixed,1B-Vent - Right Push Out - Cam Handle,

Exact Size: 38 1/2 X 40 1/2,Section A Width:19.25,

Clear Opening: 8 11/16 X 35 1/16

Clear Opening Sqft: 2 1/8SecB: Not Egress,

Clear Opening: 8 11/16 X 35 1/16

Clear Opening Sqft: 2 1/8

NFRC - U-Factor:0.46SHGC:0.29VT:0.48AL:≤0.3CR:48

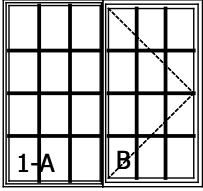
Quote Name: 19566 Canterbury

Quote #: SQMRP001049_1

NFRC Stickers
Rating: CW-80
Left Glass:Cardinal LowE 272 - DSB / Clear - DSB,**Strength:**Tempered Glass
Right Glass:Cardinal LowE 272 - DSB / Clear - DSB,**Strength:**Tempered Glass

Overall Rating: DP-80
 Total Weight 78 lbs.

11	1	EA	Quaker Unit	\$2,293.10	\$2,293.10
----	---	----	-------------	------------	------------



**** Viewed From Exterior ****

Series: 3 1/4" - Historic (H450)

Exact Size: 56 1/2 X 53
Color:Black,**Paint Type:**2604,
Glass:EnergyBasic (Dual Silver),
Muntin:Custom SDL,
 Exterior:16154 5/8" Raised ,Between Gl:3/8" x 3/8" Internal,Interior:5950 3/4" Flat,
Muntin Color:Exterior:Black,Between Gl:Black,Interior:Black,
Hardware:Satin/Brushed Nickel,**Vent:**Standard - Chic,**Ship Hardware:**Separate,
Screen:Flex Screen,**Material:**Flex Screen,**Ship:**Ship Screen Separate,
Install AccNo Nailing Fin,
Frame Depth:3 1/4",
Ext. Casing23977 Preset Panning,**Factory Apply:** No - Precut and Ship Loose, **Cut Angle:** Straight,
Ext. Subsill6939 3" Sill Panning,**Factory Apply:** Yes, **Cut Angle:** Straight,
Perimeter Acc Color:Black,

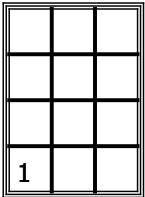
Unit:1-2 - Cont Frame - 2 Wide

1A-Fixed,1B-Vent - Right Roto - Chic Hinge,

Exact Size: 56 1/2 X 53,**Section A Width:**28.25,
 Clear Opening: 23 13/16 X 47 9/16
 Clear Opening Sqft: 7 7/8SecB: **Meets Egress**
 Clear Opening: 23 13/16 X 47 9/16
 Clear Opening Sqft: 7 7/8
NFRC - U-Factor:0.46**SHGC:**0.29**VT:**0.48**AL:**≤0.3**CR:**48
NFRC Stickers
Rating: DP-50
Left Glass:Cardinal LowE 272 - DSB / Clear - DSB,**Strength:**Annealed Glass
Right Glass:Cardinal LowE 272 - DSB / Clear - DSB,**Strength:**Annealed Glass

Overall Rating: DP-50
 Total Weight 124 lbs.

12	2	EA	Quaker Unit	\$1,146.42	\$2,292.84
----	---	----	-------------	------------	------------



**** Viewed From Exterior ****

Series: 3 1/4" - Historic (H450)

Exact Size: 38 1/4 X 53
Color:Black,**Paint Type:**2604,
Glass:EnergyBasic (Dual Silver),
Muntin:Custom SDL,
 Exterior:16154 5/8" Raised ,Between Gl:3/8" x 3/8" Internal,Interior:5950 3/4" Flat,
Muntin Color:Exterior:Black,Between Gl:Black,Interior:Black,
Install AccNo Nailing Fin,
Frame Depth:3 1/4",
Ext. Casing23977 Preset Panning,**Factory Apply:** No - Precut and Ship Loose, **Cut Angle:** Straight,
Ext. Subsill6939 3" Sill Panning,**Factory Apply:** Yes, **Cut Angle:** Straight,
Perimeter Acc Color:Black,

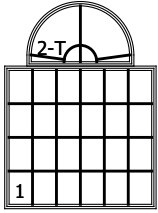
Quote Name: 19566 Canterbury

Quote #: SQMRP001049_1

Unit:1-Direct Set Exact Size: 38 1/4 X 53,
NFRC - U-Factor:0.35**SHGC:**0.34**VT:**0.57**AL:**≤0.3**CR:**58
NFRC Stickers
Rating: DP-50
Fixed Glass:Cardinal LowE 272 - DSB / Clear - DSB,**Strength:**Annealed Glass

Overall Rating: DP-50
 Total Weight 75 lbs.

13	1	EA	Quaker Unit	\$3,061.67	\$3,061.67
----	---	----	-------------	------------	------------



**** Viewed From Exterior ****

Series: 3 1/4" - Historic (H450)

Exact Size: 56 1/4 X 77
Model : 1 Wide Top Stack Offset,Factory Mull - **Horizontal Mull-1:**C Mull, **Mull Rating: DP-50, Mull Cut:** Straight
Color:Black,**Paint Type:**2604,
Glass:Custom,
Muntin:Custom SDL,
 Exterior:16154 5/8" Raised ,Between Gl:3/8" x 3/8" Internal,Interior:5950 3/4" Flat,
Muntin Color:Exterior:Black,Between Gl:Black,Interior:Black,
Install AccNo Nailing Fin,
Frame Depth:3 1/4",
Ext. Casing23977 Preset Panning,**Factory Apply:** No - Precut and Ship Loose, **Cut Angle:** Straight,
Ext. Subsill6939 3" Sill Panning,**Factory Apply:** Yes, **Cut Angle:** Straight,
Perimeter Acc Color:Black,

Unit:1-Direct Set Exact Size: 56 1/4 X 53,
NFRC - U-Factor:0.34**SHGC:**0.33**VT:**0.56**AL:**≤0.3**CR:**58
NFRC Stickers
Rating: DP-50
Fixed Glass:Cardinal LowE 272 - 5/32 / Clear - 5/32,**Strength:**Annealed Glass

Unit:2-Extended Half Round Exact Size: 39 3/4 X 24,**Radius:**19 7/8,
NFRC - U-Factor:0.35**SHGC:**0.34**VT:**0.57**AL:**≤0.3**CR:**58
NFRC Stickers
Rating: AW-110
Fixed Glass:Cardinal LowE 272 - DSB / Clear - DSB,**Strength:**Tempered Glass

Overall Rating: DP-50
 Total Weight 154 lbs.

14	1	EA	Order Items	\$1,338.75	\$1,338.75
----	---	----	-------------	------------	------------

3 1/4" - Historic (H450) 19 7/8 Inch Radius Bend - 3
 Weighted Average Rating
 U-Factor:0.39
 SHGC:0.32
 VT:0.53
 DP:51.07
 Total Sqft : 376.87
 Total Perimeter : 416.53 Feet
 Total Windows : 28

Quote Name:	19566 Canterbury	Quote #:	SQMRP001049_1
--------------------	------------------	-----------------	---------------

All Prices in USD	Quote Subtotal		\$39,423.63
	Estimated Tax (if included)	6.000 %	\$2,365.42
	Total Quote Value		\$41,789.05

Shipping and Handling			\$200.00
-----------------------	--	--	----------

Additional Charges

	Qty	Description	Amount	Extended
	1.00	SHOP DRAWINGS	\$600.00	\$600.00
		Additional Charge SubTotal		\$600.00
		Estimated Tax (if included)	6.000 %	\$0.00
		Additional Charge Total		\$600.00

	Quote Grand Total	\$42,589.05
	(may be subject to sales tax)	

Quote Name: 19566 Canterbury

Quote #: SQMRP001049_1

Quote Name: 19566 Canterbury

Quote #:

SQMRP001049_1

Terms:

- CUSTOMER REVIEW: This quote is based on the products as listed. Customer must review quote and verify, including but not limited to: quantities, sizes, types, finishes, glazing, and adherence to specifications and job requirements and any relevant local or national codes.
- PRICE ADJUSTMENTS: Quaker reserves the right to adjust its pricing in any of the following circumstances:
 - if this quote expires prior to Customer approval;
 - if changes are made to quantities, products, or other terms and conditions of this quote;
 - if the Customer requests delivery dates extending beyond agreed timeframes or beyond 6 months from the date of this quote;
 - if the order is not fully defined for entry, with approved shop drawings, within 60 days after Customer submits its purchase order or otherwise approves this quote; or
 - in the event of any extraordinary increase in cost associated with manufacturing, supplying, or distributing the quoted products, upon notice to the Customer at any time prior to Quaker's entry of Customer's order.
- ORDERING PROCESS: This quote is an offer by Quaker Window Products Co. ("Quaker"), a Missouri corporation, to sell to the Customer the products described herein at the prices indicated, subject to the terms and conditions stated in this document, including the referenced Quaker warranty and the limitations of liability described therein. Unless otherwise agreed, this offer shall expire after the quote availability date listed on the quote. In order to accept such offer, and before Quaker begins to fabricate such products, Customer must:
 - Review and approve this quote;
 - Provide any additional details or information Quaker requires regarding the job or the Customer;
 - If applicable, complete and submit a credit application subject to approval by Quaker's credit department; and
 - If applicable, submit approved Shop Drawings which are incorporated into the order. Final Price is based on approved shop drawings, if applicable.
- Quaker's entry of a sales order will serve to acknowledge completion of these steps. Any purchase order or other document that Customer may use to indicate acceptance of this quote, shall be considered for Customer's internal purposes only, and notwithstanding any language to the contrary in any such document, any resulting order shall remain subject to the governing terms and conditions stated in this quote. Quaker expressly objects to, and does not accept, any conflicting, modified, or additional terms or conditions proposed by Customer unless such proposed terms and conditions are specifically approved in writing by Quaker's credit department, legal counsel, or an appropriate officer of the company.
- TAXES: Unless otherwise indicated, sales or use taxes are not included in this quote. If taxes are not included, it shall be Customer's responsibility to ensure payment of any applicable state, municipal, or local sales or use or other taxes, and Customer shall indemnify Quaker against any claimed failure to pay such taxes when due.
- PAYMENT TERMS: Payment terms are subject to approval by Quaker's credit department, based in part on Customer's credit application and its terms and conditions, including interest of 18% per annum plus all costs of collection, such as attorney fees and court costs. It is understood and agreed that the goods quoted are specially manufactured or fabricated to order, and will be paid for by Customer in accordance with these terms and conditions.
- LEAD TIME ESTIMATES: Any lead times provided are estimates only. An estimated delivery date will be established by Quaker and communicated to Customer once the sales order is entered. Quaker shall not be responsible for any delay damages or any other associated costs resulting from the delivery of goods after the estimated delivery date.
- CHANGE ORDERS: If the Customer requests any change to an order more than 24 hours after submitting approved shop drawings or otherwise placing an order, then the Customer will be responsible for all costs incurred by Quaker in processing such change, and Quaker may require submittal of a written change order documenting the requested changes.
- WARRANTY: The sale of the quoted products is subject to the [Quaker's Standard Limited Commercial Warranty dated 6/1/2024](#), which contains the relevant manufacturer's warranty and various limitations of liability, and is hereby incorporated by reference. This warranty may be enclosed with this quote and is available at www.quakerwindows.com/warranty-information/. Customer will provide this warranty to the end user as appropriate. This warranty is not applicable to orders involving parts or service for purposes of repair or replacement.
- UNDELIVERABLE PRODUCT STORAGE FEE: If Customer is not willing or able to accept delivery of an order that is ready for shipment, then for any delivery delayed by more than 14 calendar days from the estimated delivery date, an undeliverable product storage fee of \$1,000 per trailer per week will be added to the order, which may be invoiced at that time. For deliveries delayed beyond 4 weeks, such fee shall increase to \$1,500 per week.
- DELIVERY – UNLOADING - DETAINAGE FEE: Customer acknowledges that QUAKER products may be large or heavy, may require lifting assistance, and may shift during transport, presenting various risks of damage or bodily injury resulting from tipping or falling during delivery, unloading, or handling. Upon delivery, the Driver is responsible for removing straps and otherwise preparing products to be unloaded, unless Customer performs such tasks. Upon request, Customer must assist Driver inside the trailer when necessary to handle large items or otherwise ensure safety and avoid product damage. Customer will provide Driver sufficient opportunity to scan each item in an orderly fashion during the unloading process, in order to properly document which items were delivered and whether any products were damaged during transit. Any damaged product must be photographed and documented using Driver's electronic scanner or the paper delivery ticket. Customer is responsible for inspecting products during delivery, unloading products from the trailer in a safe and efficient manner, and properly training relevant staff to safely unload and handle such products. Customer assumes all risk and shall be responsible for any damage or loss or injury resulting from the unloading process or subsequent handling. If offloading time exceeds 4 hours for a full trailer at a jobsite, or 2 hours for other deliveries, then Customer will be responsible for payment of detention fees in the amount of \$150 per hour. Quaker is not responsible for any product loss, damage, or injury occurring after delivery.
- PRODUCT RATING INFORMATION: Individual units greater than gateway size may have a reduced rating per Quaker's calculations based on AAMA 2502-07 Comparative Analysis Procedure for Window and Door Products. Overall Design Pressure of mulls/assemblies may be less than the computed values of

Quote Name: 19566 Canterbury**Quote #:**

SQMRP001049_1

individual units per Quaker's calculations based on AAMA 450-10 Voluntary Performance Rating Method for Mullled Fenestration Assemblies. Thermal ratings are based on NFRC test size.

- If relevant, additional charges may apply for any mockups, shop drawings, P.E. Stamps, Engineering and/or anchorage calculations, or job specific testing.
- If relevant, product testing charges may be \$2,500 to \$5,000 per test/calculation (cost varies per architect's job specific requirements) and shall be the responsibility of the Customer.
- Any vertical or horizontal mulling system is designed for lateral wind loading only and does not provide structural down loading. Headers must be sized to allow for a maximum deflection of 1/8 of an inch. Please consult an architect or engineer for design requirements and building code compliance, particularly when combining multiple units together.
- FIELD TESTING: In order to be warranted for performance by Quaker, any field testing of QUAKER products must be conducted as specified in the above-described warranty.
- FORCE MAJEURE: Quaker will not be liable for any nonperformance, delay in performance, or damage that results from any cause beyond Quaker's reasonable control, including, without limitation, any: Act of God; pandemic or other public health emergency; act of the Customer; restraint of government, such as embargo or other trade restrictions or governmental regulations or demands (whether or not later proven to be invalid); fire; flood; vehicle accident; strike or other labor disturbance; machinery or equipment breakdown; plant shutdown or slowdown; war; riot; terrorist act; delay in transportation; delays of suppliers or carriers; or inability to obtain necessary labor, materials or manufacturing facilities at customary prices ("Force Majeure Events").
- CREDIT CARD SURCHARGE: Payments made by credit card will be assessed a surcharge of at least 3%.
- COASTAL AREAS: In coastal environments, there is greater than normal risk of corrosion or deterioration, which shall not be Quaker's responsibility, except for manufacturing defects causing abnormal corrosion or deterioration beyond what is expected for a coastal environment based on the products selected and proper maintenance. Customer is responsible for appropriate product selection based on the project location.
- ALTITUDE LIMITATIONS: Products to be installed over 3,000 feet above sea level are subject to maximum altitude limitations based on the dimensions of the glass, its thickness, and whether it is annealed or tempered. Customer is responsible for confirming that such limitations are not exceeded based on local elevation. Contact Quaker for additional details.
- SPECIAL COLORS: Certain colors or finishes (such as dark or special colors, micas, metallics, and high chroma shades of red, orange and yellow) have shortened warranty periods or require a clear top coat to achieve the necessary performance requirements to qualify for full warranty coverage. Please consult your Quaker representative to confirm based on your selection.

