



HISTORIC DISTRICT COMMISSION APPLICATION FOR WORK APPROVAL

City of Detroit - Planning & Development Department
2 Woodward Avenue, Suite 808
Detroit, Michigan 48226

APPLICATION ID
HDC2024-00471

PROPERTY INFORMATION

ADDRESS(ES): 7873 Van Dyke Place
HISTORIC DISTRICT: West Village

SCOPE OF WORK: (Check ALL that apply)

- | | | | | | |
|---|---|---|--|--|--------------------------------|
| <input checked="" type="checkbox"/> Windows/
Doors | <input type="checkbox"/> Walls/
Siding | <input checked="" type="checkbox"/> Painting | <input checked="" type="checkbox"/> Roof/Gutters/
Chimney | <input checked="" type="checkbox"/> Porch/Deck/Balcony | <input type="checkbox"/> Other |
| <input type="checkbox"/> Demolition | <input type="checkbox"/> Signage | <input checked="" type="checkbox"/> New
Building | <input type="checkbox"/> Addition | <input checked="" type="checkbox"/> Site Improvements
(landscape, trees, fences,
patios, etc.) | |


BRIEF PROJECT DESCRIPTION: Exterior Rehabilitation and erection of alley facing detached garage

APPLICANT IDENTIFICATION

TYPE OF APPLICANT: Property Owner/Homeowner			
NAME: 7873 Van Dyke Place LLC		COMPANY NAME: 7873 Van Dyke Place LLC	
ADDRESS: 791 Seminole St		CITY: Detroit	STATE: MI ZIP: 48214
PHONE: +1 (248) 763-8481		EMAIL: alex@bluegatemi.com	

I AGREE TO AND AFFIRM THE FOLLOWING:

- I understand that the failure to upload all required documentation may result in extended review times for my project and/or a denied application.
- I understand that the review of this application by the Historic District Commission does not waive my responsibility to comply with any other applicable ordinances including obtaining appropriate permits (building, sign, etc.) or other department approvals prior to beginning the work.
- I hereby certify that I am the legal owner and occupant of the subject property and that the information on this application is true and correct.

Signed by:  <small>61C9DB79E44E49B...</small>	08/19/2024
SIGNATURE	DATE

NOTE: Based on the scope of work, additional documentation may be required. See www.detroitmi.gov/hdc for scope-specific requirements.

PROJECT DETAILS – TELL US ABOUT YOUR PROJECT

Instructions: Add project details using the text box in each section. If your details exceed the space provided, attach the details via the attachment icon for that section.

ePLANS PERMIT NUMBER:

(only applicable if you've already applied for permits through ePLANS)

N/A

GENERAL

1. DESCRIPTION OF EXISTING CONDITION

Please tell us about the current appearance and conditions of the areas you want to change. You may use a few sentences or attach a separate prepared document on the right. (For example, "existing roof on my garage is covered in gray asphalt shingles in poor condition.")

The building is a 2 ½ story wood-frame rectangular structure constructed in 1908 with a side entrance in an R2 zone. It was most recently utilized as a non-compliant three family rental flat and requires total rehabilitation. The building's original wood clapboard and cedar shake cladding are currently exposed. Three pairs of large casement doors / windows that extend to the interior floor line define the primary elevation. Single casement windows of similar length are found on both sides of the front room. The third level is clad in cedar shake. The pattern of the cedar shake suggests that arch top windows were originally installed in openings currently filled with rectangular replacements on both sides.

2. PHOTOGRAPHS

Help us understand your project. Please attach photographs of all areas where work is proposed.



3. DESCRIPTION OF PROJECT

In this box, tell us about what you want to do at the areas described above in box #1. (For example, "Install new asphalt shingle roofing at garage.")

- Erect a front porch with Hip Roof
- Erect an alley facing detached two car garage
- Repair and replace where necessary the compromised foundation of the primary structure
- Restore original windows and replace two inappropriate eave windows and one door wall with appropriate windows
- Paint the structure in accordance with Color System C.
- Replace asphalt shingle roof and K st

4. DETAILED SCOPE OF WORK

In this box, please describe all steps necessary to complete the work described in box #3. (For example, "remove existing shingles, replace wood deck as necessary, replace wood eaves, install roof vents, replace rotted fascia boards, paint, clean worksite.")

Per the attached word document and plans





5. BROCHURES/CUT SHEETS

Please provide information on the products or materials you are proposing to install. For example, a brochure on the brand and color of the shingles proposed.



ADDITIONAL DETAILS

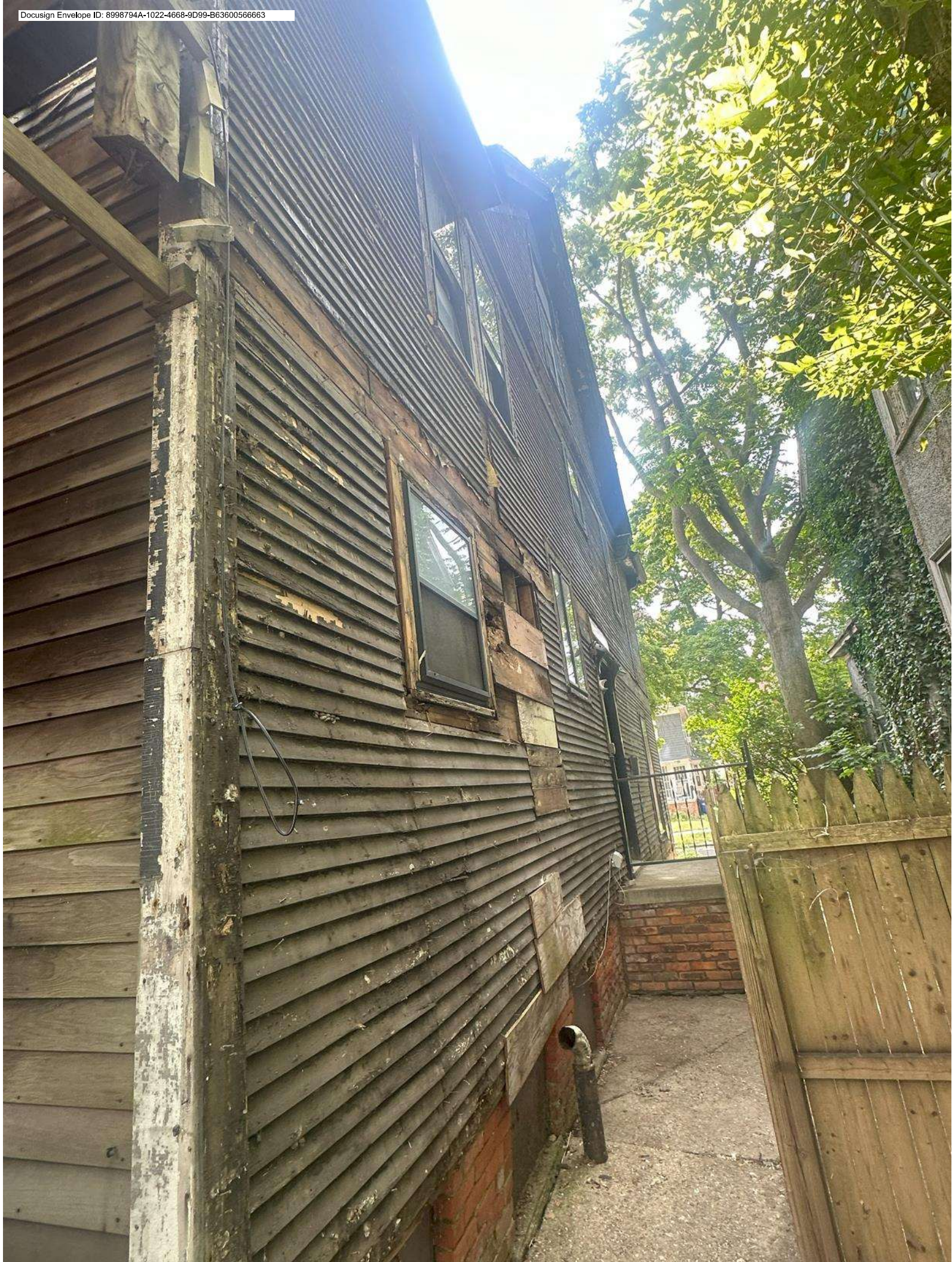
<p>6. WINDOWS/DOORS <i>Detailed photographs of window(s) and/or door(s) proposed for replacement showing the condition of the interior and exterior of the window(s) and/or door(s)</i></p>	
<p>8. SITE IMPROVEMENTS <i>If site improvements are proposed, please provide any relevant site improvement plans pertaining to your project.</i></p>	























WEST VILLAGE



August 19, 2024

City of Detroit
Historic District Commission
Coleman A. Young Municipal Center
2 Woodward Avenue, Suite 808
Detroit, Michigan 48226

RE: 7873 Van Dyke Place- Request for Rehabilitation Approval

Dear HDC,

The owners of the building at 7873 Van Dyke Place, request that the Historic District Commission grant approval for the proposed rehabilitation of the building and the erection of a detached garage. Proposed exterior elevations completed by Construction by Design for the renovated residence and garage are attached to this application. Following approval, the owners intend to proceed with the build out and construction work per the approved certificate of appropriateness for the exterior work.

Background

The building is a 2 ½ story wood-frame rectangular structure constructed in 1908 with a side entrance in an R2 zone. It was most recently utilized as a non-compliant three family rental flat and requires total rehabilitation. The intent of this project is to return the structure to R2 compliance with the main residence encompassing the first three floors of the structure, converting the basement to a one bedroom apartment and erecting a new detached two car garage.

The current owner acquired the property in earlier in 2024 and began removing non-historic materials, including cladding, in accordance with HDC2024-00379. The building's original wood clapboard and cedar shake cladding are currently exposed. Three pairs of large casement doors / windows that extend to the interior floor line define the primary elevation. Single casement windows of similar length are found on both sides of the front room.

The third level is clad in cedar shake. The pattern of the cedar shake suggests that arch top windows were originally installed in openings currently filled with rectangular replacements on both sides.

The rear of the property is currently defined by a third-floor glass door-wall that does not have a porch underneath and non-code compliant wooden decks at both the second and first floor.

The structure has been neglected for many years. The roof and gutters are beyond useful life and require replacement. The foundation requires major repair and replacement in many areas.

The building sits in the West Village Historic District. Only one historic designation photograph was available to assist with the development of this application.

Scope of Work

- Erect a front porch with Hip Roof
- Erect an alley facing detached two car garage
- Repair and replace where necessary the compromised foundation of the primary structure
- Restore original windows and replace two inappropriate eave windows and one door wall with appropriate windows
- Paint the structure in accordance with Color System C.
- Replace asphalt shingle roof and K style gutters
- Replace rear decks
- Replace privacy fences and concrete walkways
- Install new exterior lighting on house and garage

Erect a Front Porch with Hip Roof

The front of the structure is defined by three pairs of floor length casement doors / windows. It is proposed to erect a front porch that spans the width of the structure and connects to the primary existing side entrance. A masonry porch is proposed as a portion of the porch would be uncovered and fully exposed to weather. A hip roof across the front of the property would be supported with tapered wood support posts and feature wrought iron railing. The lower portion of the porch would be skirted in tongue and groove beadboard. Masonry stairs would be added at the front corner of the new porch and at the rear of the existing porch to enable access to the front and rear of the property.

A similar casement door / window configuration to a masonry front porch is found at 7874 Van Dyke Place on the opposite side of the street.

Erect an alley facing detached two car garage

A two-car detached garage is proposed at the rear of the property. The garage would feature a single vehicular door to the alley and a rear entry door to the yard. The garage would be clad in LP Smart Side and have a shingle roof. A Wayne Dalton Steel raised panel 16' 7" garage door in brown would be utilized. A Masonite 32" Craftsman door would be used for rear entry. Roofing materials, gutters and paint colors would match the primary structure. Black lantern style lighting would be installed on either side of the garage. The garage would be materially similar in appearance to the newly erected structure across the alley at 7938 E. Lafayette.

Repair & Replace Primary Structure Foundation

The foundation is compromised in multiple locations. Substantial repair and partial replacement are required. The foundation currently features a below grade stairwell and rear entry door as well as a foundation for a previously removed first floor bay window.

It is the goal of the project to utilize the basement as an accessory dwelling unit. The rear entry would be repaired and made code compliant. An egress window and well would be added at the site of the former bay window foundation.

Concrete masonry block would be utilized for new portions of the foundation. Exposed masonry elements of the foundation would be parge coated and painted in a masonry paint color keyed to match the trim.

Window Restoration and 3rd Floor Correction

It is proposed that all extant first and second floor windows be retained and restored. All existing sashes are currently black and will be repainted in kind as part of restoration efforts in accordance with Color System C.

Unsafe and non-historically appropriate replacement windows and a door-wall were previously added to both sides and the rear of the third floor. It is proposed to remove the rear door wall and to replace it with two Quaker Brighton series wood windows with six light simulated divided light windows (Colonial Pattern 3) in black. Wood clapboard would be added to the repair to the reduced opening.

Detail in third floor cedar shake clapboard suggests arched windows were originally installed above the extant historic double hung windows on the third floor. The current arch top windows are non-historic, improperly sized for the openings and in disrepair. A custom sized artisan built wooden arch window with single pane glass and no dividing lights is proposed for both sides. The sash would be painted black and cedar shake would be repaired around the opening.

Paint the structure in accordance with Color System C.

Staff have suggested Color System C is appropriate for the structure. After repair extant clapboard siding and cedar shake cladding, it is proposed the body would be painted in C:3 Pale Blue (Benjamin Moore HC-151 Buckland Blue). All trim would be painted C:5 Yellowish White (Benjamin Moore OC-82 Pompeii). Sashes would be re-painted B:19 Black; the extant color. Exterior doors, excluding the garage door which would be factory finished in brown, would be painted in Black. Foundation parging, tongue and groove skirting, and gutters would be painted to match trim in C:5 Yellowish White. These selections would be used on both the primary structure as well as the to be erected detached garage.

Replace asphalt shingle roof and K style gutters

The existing asphalt shingle roof and K style gutters are past their useful life. It is proposed to replace them in kind utilizing Atlas Pinnacle Pristine shingles in Morning Harvest and new K Style aluminum gutters color keyed to match the trim color C:5 Yellowish White. These selections would be used on both the primary structure as well as the to be erected detached garage.

Replace Rear Decks

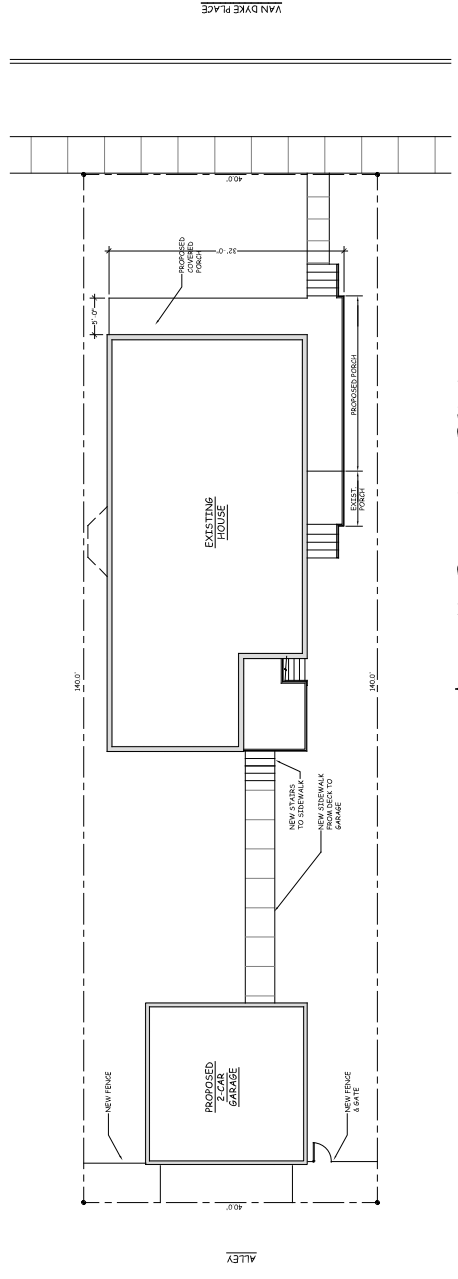
The existing rear decks will be removed under COA HDC2024-00379. We are requesting to erect a new second floor deck that will end at the existing flat roof roofline. Wood railings would be built to code with design detail found in the elevation drawings. The existing first floor deck would be replaced in kind and built to code utilizing the same railing design and wood stairs.

Replace Privacy Fences and Concrete Walkways

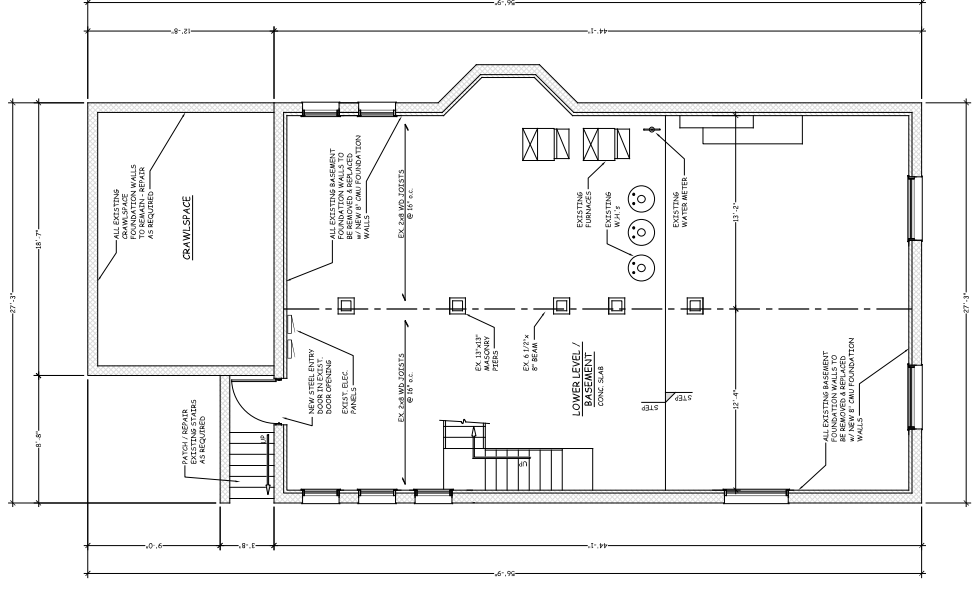
Replacement six foot cedar dog ear fences stained in brown would be erected on the existing fence lines. New fencing would be added along the rear property line and abut the front of the proposed detached garage. A new 3ft concrete walkway would be added from the garage door to the rear porch. The concrete walkway from the side entrance to the lower level entrance and yard would be replaced following construction.

Exterior Lighting

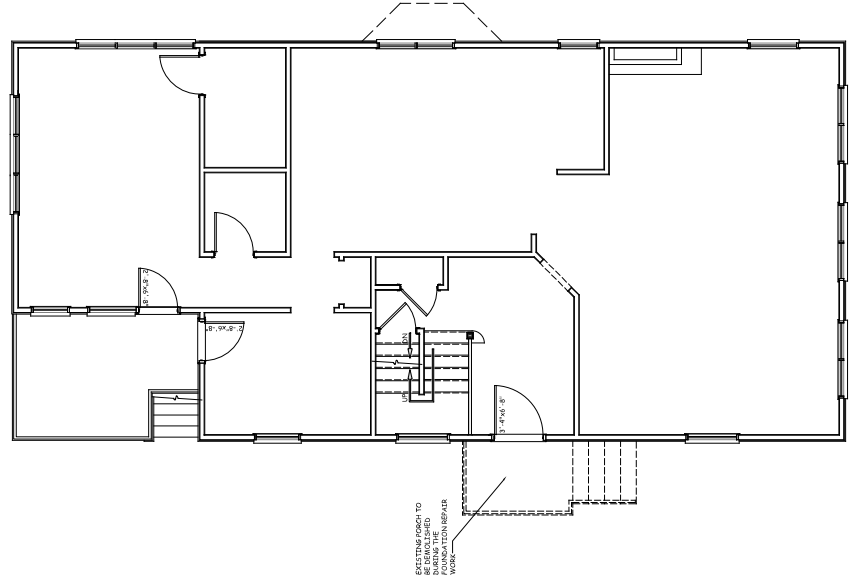
Current exterior lighting would be replaced with black lanterns. Lanterns would be added on either side of the garage as well per the attached product sheet.



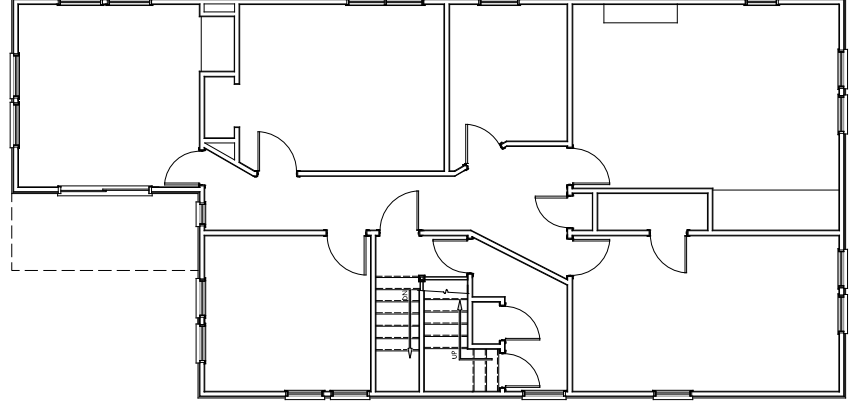
ARCHITECTURAL SITE PLAN
 SCALE: 1/8" = 1'-0"



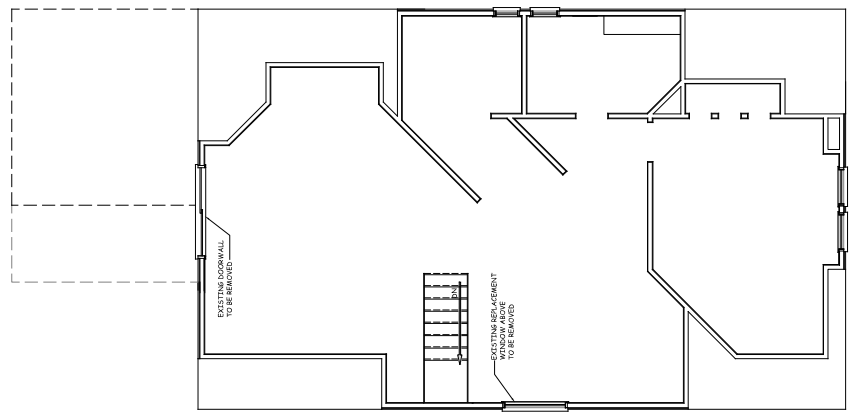
EXISTING BASEMENT/FOUNDATION PLAN
 SCALE: 1/4" = 1'-0"



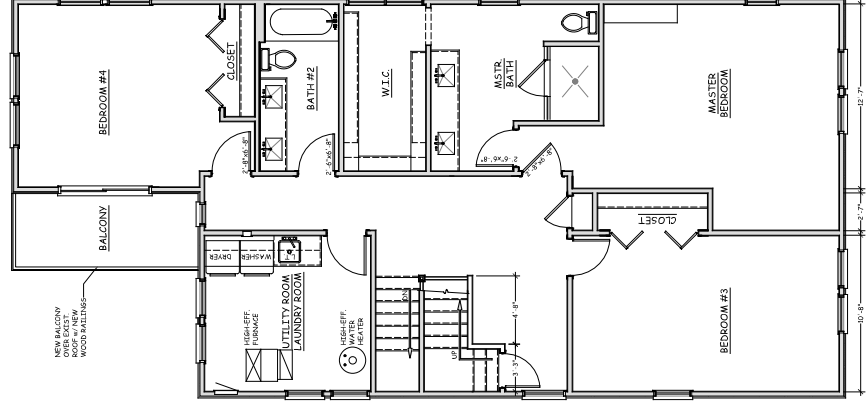
EXISTING 1st FLOOR PLAN
 SCALE: 1/4" = 1'-0"



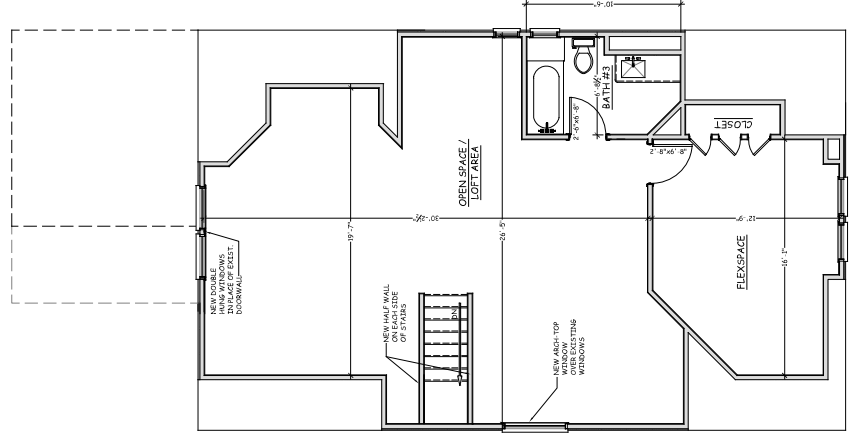
EXISTING 2nd FLOOR PLAN
 SCALE: 1/4" = 1'-0"



EXISTING 3rd FLOOR/ATTIC PLAN
 SCALE: 1/4" = 1'-0"



PROPOSED 2nd FLOOR PLAN
 SCALE: 1/4" = 1'-0" 1,287 SF

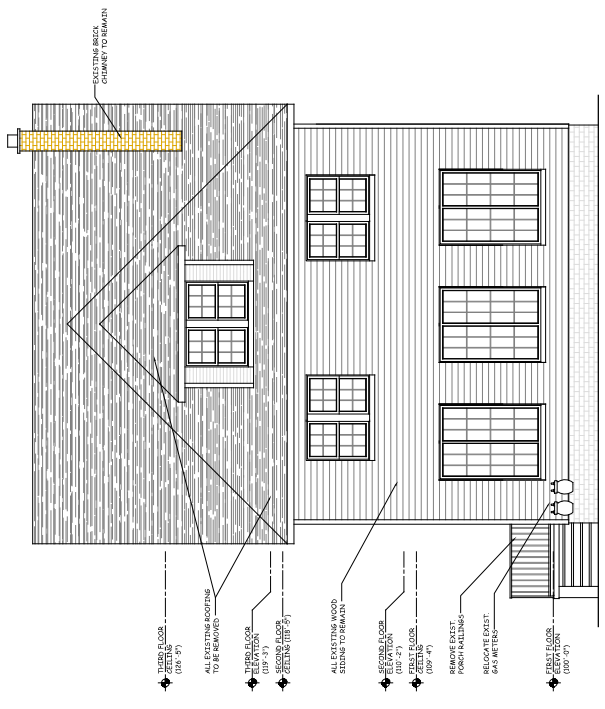


PROPOSED 3rd FLOOR/ATTIC PLAN
 SCALE: 1/4" = 1'-0" 887 SF

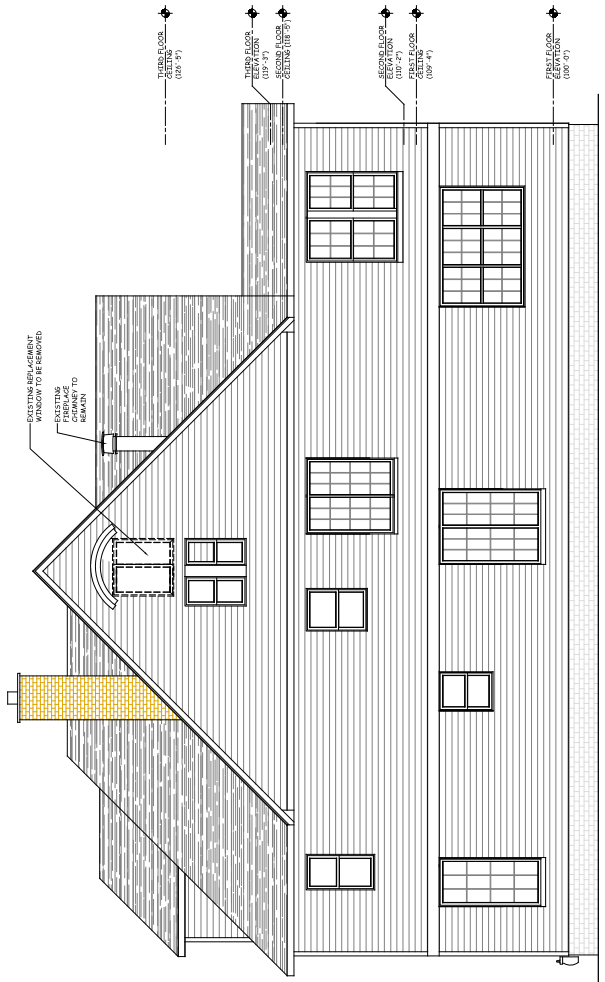
ISSUED FOR:
<input type="checkbox"/> PERMIT
<input type="checkbox"/> CONSTRUCTION
<input type="checkbox"/> REVISION
<input type="checkbox"/> AS-BUILT

REVISIONS:

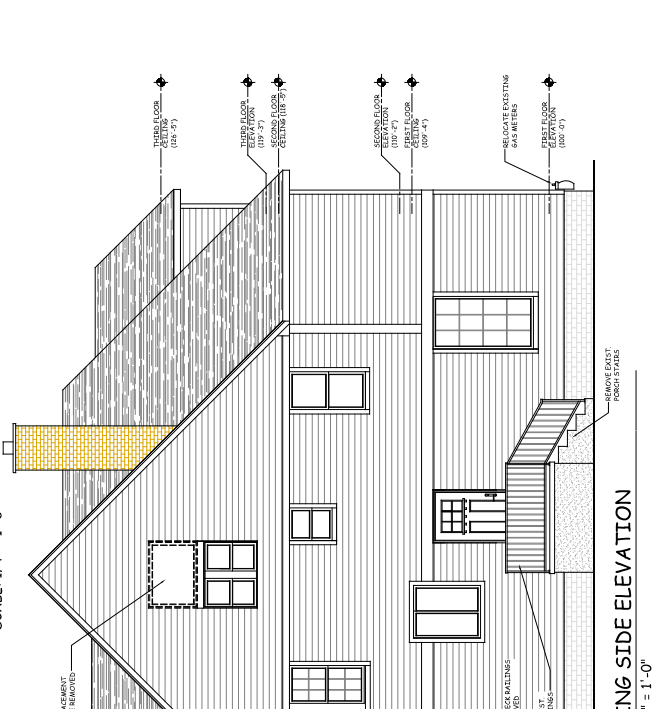
SCALE: AS NOTED
 DRAWN BY: TB
 SHEET NO.: A2.1



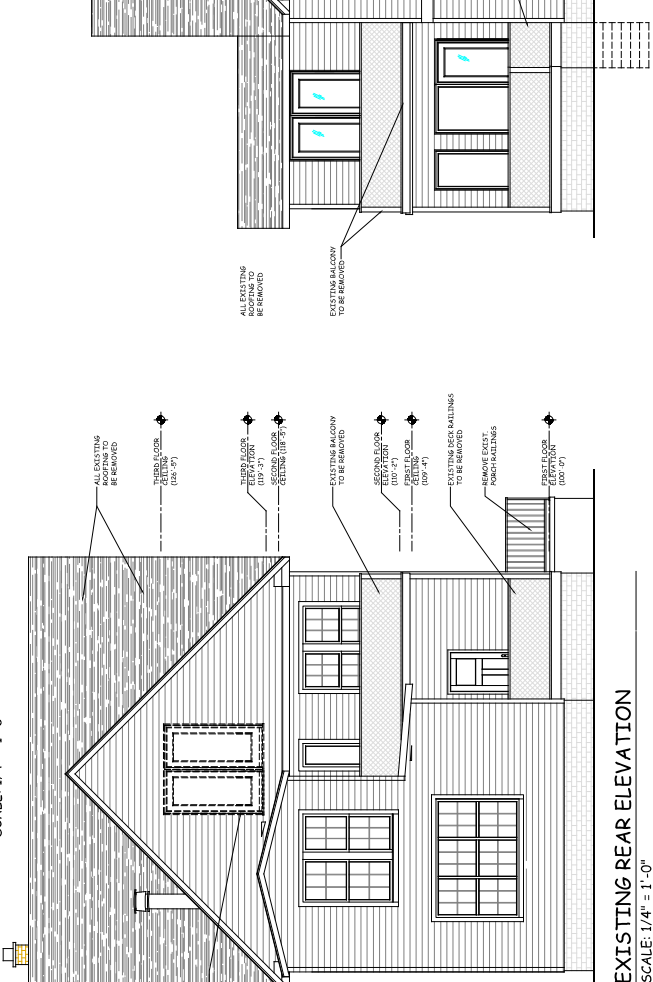
EXISTING FRONT ELEVATION
SCALE: 1/4" = 1'-0"



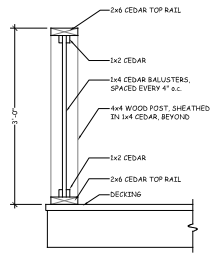
EXISTING SIDE ELEVATION
SCALE: 1/4" = 1'-0"



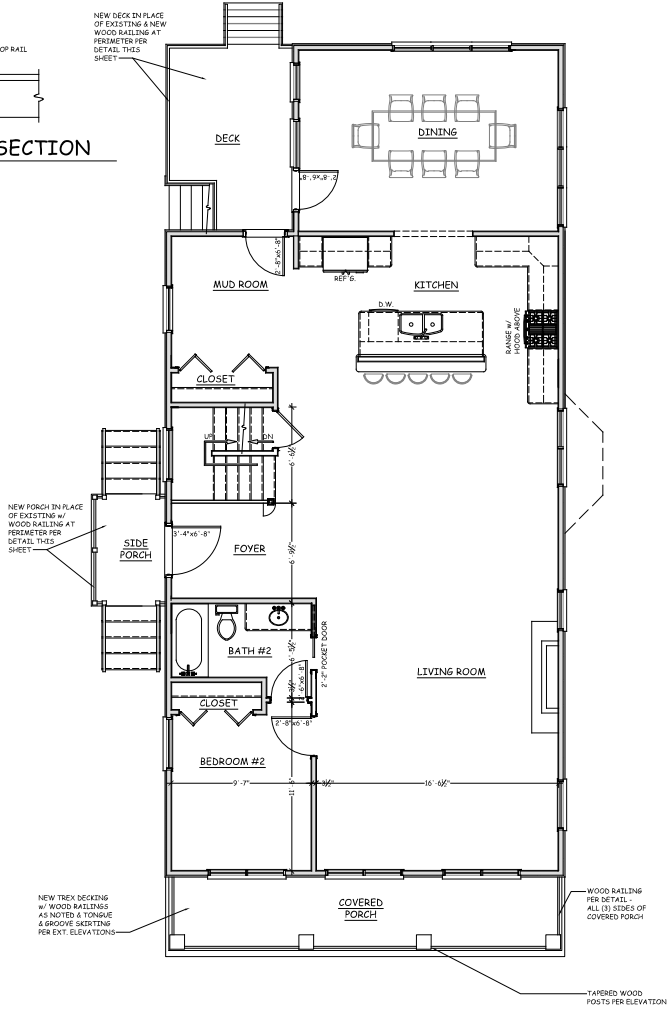
EXISTING REAR ELEVATION
SCALE: 1/4" = 1'-0"



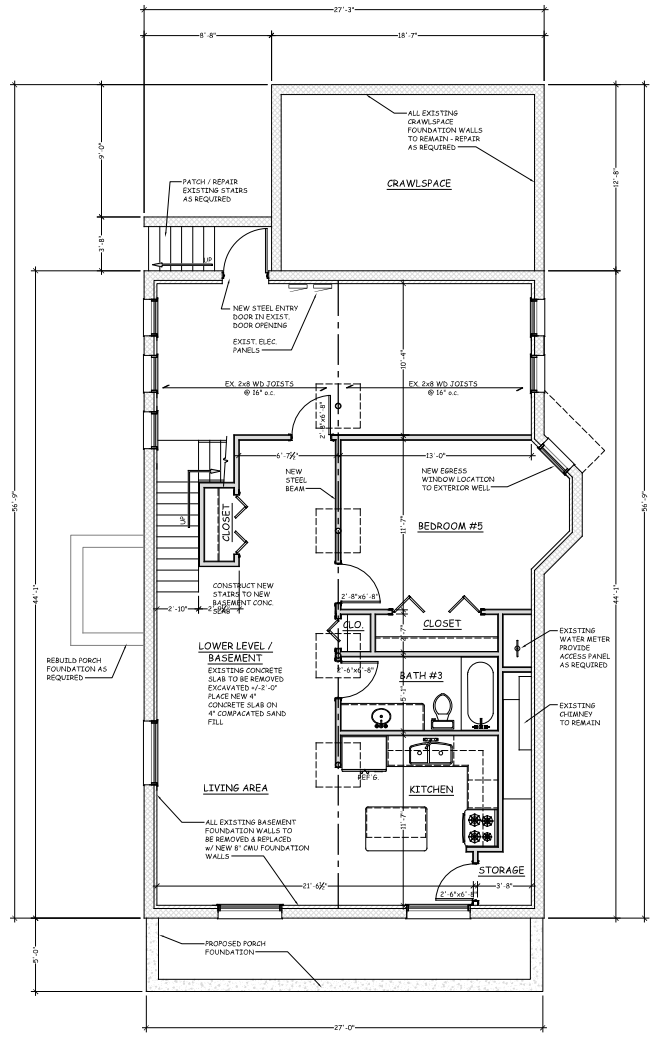
EXISTING SIDE ELEVATION
SCALE: 1/4" = 1'-0"



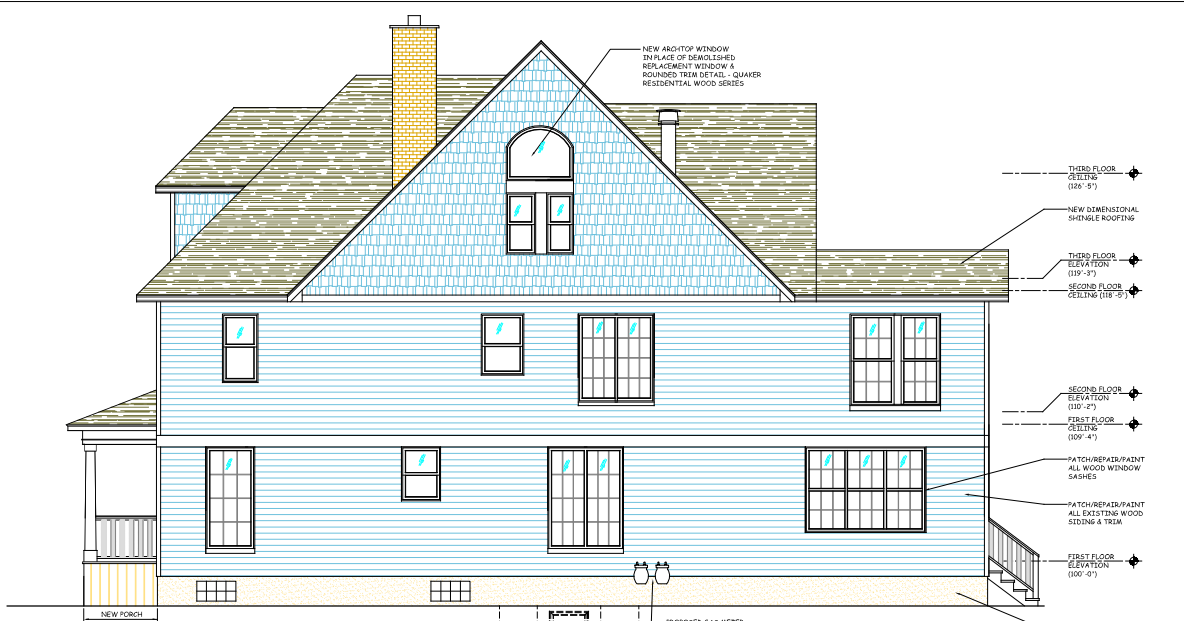
WOOD RAILING SECTION
 SCALE: 1" = 1'-0"



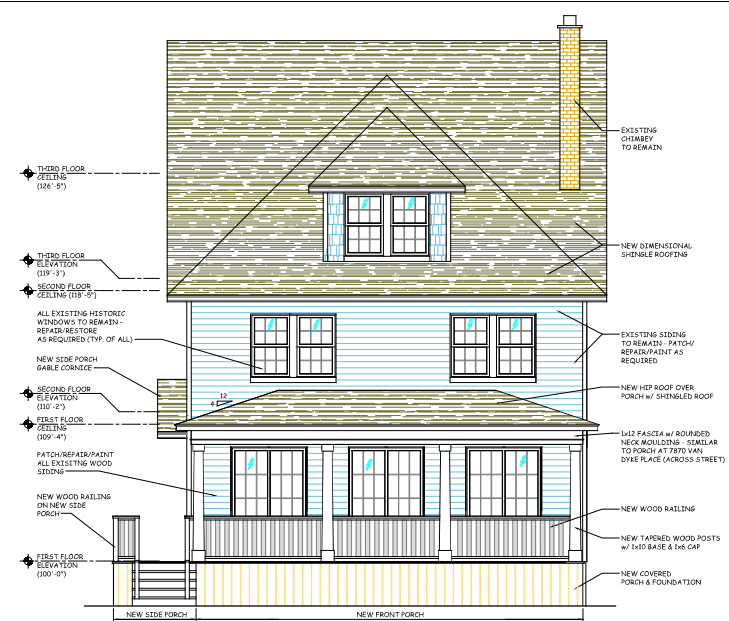
PROPOSED 1st FLOOR PLAN
 SCALE: 1/4" = 1'-0" 1,418 SF



PROPOSED BASEMENT/FOUNDATION PLAN
 SCALE: 1/4" = 1'-0" 1,124 SF

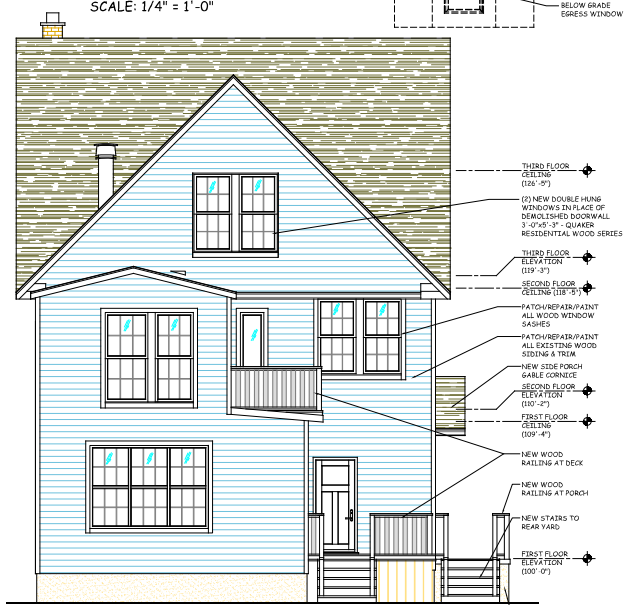


PROPOSED SIDE ELEVATION
 SCALE: 1/4" = 1'-0"



PROPOSED FRONT ELEVATION
 SCALE: 1/4" = 1'-0"

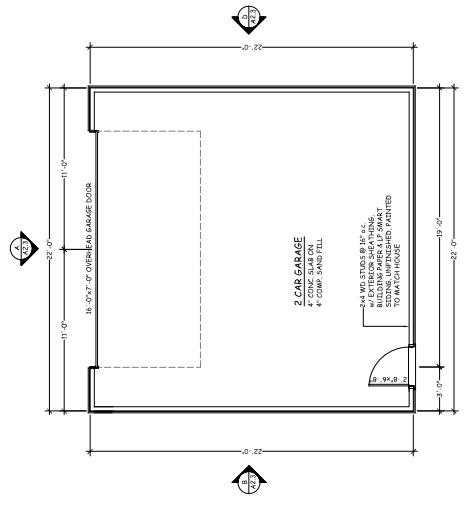
EXTERIOR COLORS:	
DIMENSIONAL SHINGLES	MORNING HARVEST
HORIZONTAL SIDING PAINT	BENJAMIN MOORE HC 151 (BUCKLAND BLUE)
TRIM PAINT	BENJAMIN MOORE OC 82 (POWER)
WINDOW SASH PAINT	BENJAMIN MOORE HC 195 (BLACK)
TREX DECKING	OGRAKOS (BROWN)



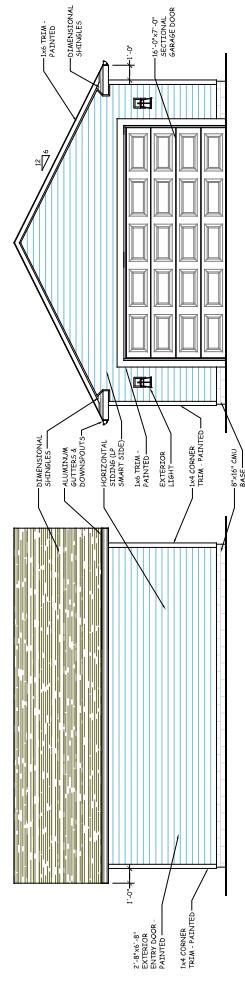
PROPOSED REAR ELEVATION
 SCALE: 1/4" = 1'-0"



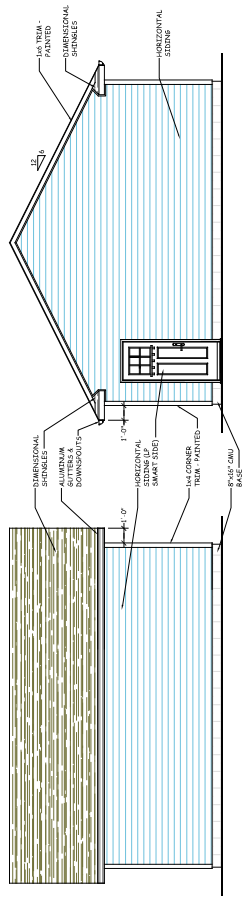
PROPOSED SIDE ELEVATION
 SCALE: 1/4" = 1'-0"



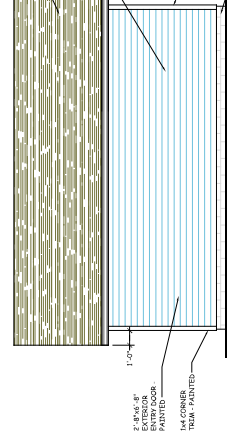
PROPOSED GARAGE PLAN
 SCALE: 1/4" = 1'-0"



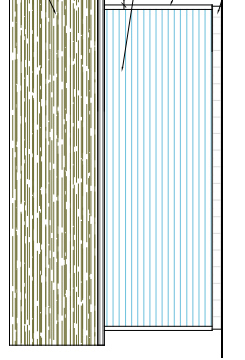
PROPOSED FRONT ELEVATION 'A'
 SCALE: 1/4" = 1'-0"



PROPOSED REAR ELEVATION 'C'
 SCALE: 1/4" = 1'-0"



PROPOSED SIDE ELEVATION 'B'
 SCALE: 1/4" = 1'-0"



PROPOSED SIDE ELEVATION 'D'
 SCALE: 1/4" = 1'-0"

EXTERIOR COLORS:	
DIMENSIONAL SHINGLES	MORNING MARKET
HORIZONTAL SIDING	IF SAME SIDE (PAINTED UNPAINTED)
TRUSS PAINT	BENJAMIN MOORE OC-81 (POWAZET)
WINDOW SLASH PAINT	BENJAMIN MOORE HC-03 (BLAZO)
ALUMINUM SILLING	BLACK ALUMINUM

UP TO 30% OFF SELECT FIRE SAFETY PRODUCTS. SHOP NOW >

Notifications

My Lists Sign In

What are you looking for today?

Allen Park Lowe's
Open until 10 PM

Delivered
4810



Prices, Promotions, styles, and availability may vary. Our local stores do not honor online pricing. Prices and availability of products and services are subject to change without notice. Errors will be corrected where discovered, and Lowe's reserves the right to revoke any stated offer and correct any errors, inaccuracies or omissions including after an order has been submitted.

< Back to Results / Windows & Doors / Garage Doors & Openers / Garage Doors

Wayne Dalton Classic Steel Model 9100 16-ft x 7-ft Insulated Brown Double Garage Door

Item #4144584 | Model #WD9100RB167

★★★★☆ 541



400+ views last week

\$1,127.11 | ~~\$1,368.62~~
Save \$241.51

\$1070.75 When you choose 5% savings on eligible purchases every day. [Learn How](#)

OR

\$188/mo Suggested payment with 6 month special financing. [Learn How](#)

Buy Now, Pay Later
\$70.31 with 18 monthly payments. [Learn How](#)

Made to order
Double garage door in a brown ranch panel design
Three-layer construction (steel/insulation/ToughGard™ backer)

Manufacturer Color/Finish: Brown



\$1,127.11



\$1,127.11



\$1,127.11

Pickup
Unavailable

Delivery
Get it by **Mon, Oct 14 (Est.)**

Delivery to [48101](#)

Get it by Mon, Oct 14 (Est.)

Wait time is typical for this product.

1

Add to Cart

Feedback

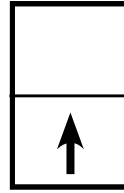
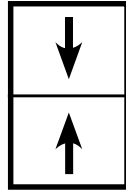
Join. Earn. Save. [Learn More](#)
Earn points on eligible purchases towards MyLowe's Money

Wayne Dalton Classic Steel Model 9100 16-ft x 7-ft Insulated Brown Double Garage Door **\$1,127.11**

★★★★☆ 541

Easy & Free Returns
Return your new, unused item in-store or ship it back to us free of charge

Here are some similar items ...



**Brighton Series
R-50
6" Frame Depth
Double Hung/Single Hung**

BRIGHTON SERIES DOUBLE HUNG/SINGLE HUNG

The Quaker Brighton Series Double Hung/Single Hung window is ideal for a variety of applications including - Energy Efficient, Apartments, Assisted Living and Housing Authority.

FEATURES

- ◇ Commercial Framing System
 - 6" main frame
- ◇ Enhanced Design
 - Extruded clad exterior, pine interior
- ◇ Glazing
 - ¾" insulated glass
- ◇ Hardware
 - Two block and tackle balancers and vinyl step jamb liners
 - Self-aligning cam-type locks
- ◇ Screen
 - Extruded aluminum screen frame with BetterVue™ mesh

OPTIONS

- ◇ Available Configurations
 - Double Hung
 - Single Hung
 - Bay or bow unit
- ◇ Muntin Choices
 - Internal, wood removable or simulated divided lites available
- ◇ Limited travel hardware
- ◇ Nailing Fin
- ◇ Screen
 - Extruded aluminum screen frame with aluminum wire mesh
 - Extruded aluminum screen frame with sunscreen mesh
 - Extruded aluminum screen frame with stainless steel 0.009" thickness mesh
- ◇ Glazing
 - Capillary tubes
 - Argon gas
 - Wide variety of glazing, tinting and thickness options
- ◇ Panning & Trim Choices
 - Wide variety of panning, receptor and trim available
- ◇ Mulling
 - Wide variety of structural mulls

BENEFITS

- ◇ The capacity to match exterior colors for unique project facades
- ◇ The ability to facilitate large sizes for taller and wider window openings

PERFORMANCE

- ◇ Structural & Thermal (test reports or thermal simulations available upon request)

Model	Double Hung/Single Hung
AAMA/WDMA/CSA 101/I.S.2/A440-08 Rating	R-50
Structural Load P.S.F.	75.19
Air at 50 MPH (cfm/ft ²)	0.04
Water (No Penetration) P.S.F.	7.52
U-Value (with Low-E and Argon)	0.28-0.32
SHGC (with Low-E and Argon)	0.12-0.29

Window test size: 36" x 84"
Operating Force: 22 lbf (maintain motion), 3 lbf (locks)



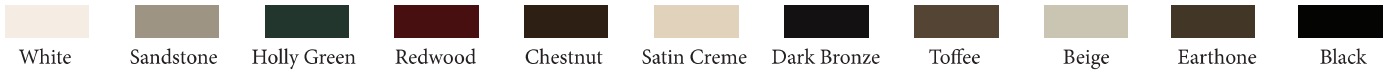
Our products are tested to the standards of and certified by the American Architectural Manufacturer's Association, the National Fenestration Rating Council and the Window & Door Manufacturers Association.



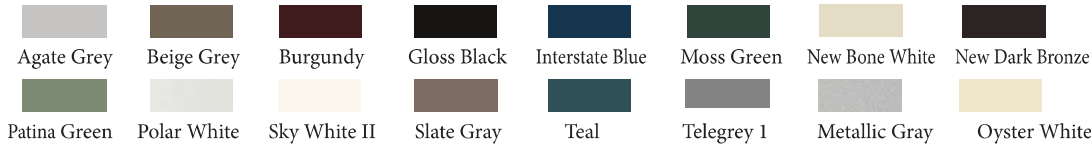
ARCHITECTURAL PAINT COATINGS AND FINISHES

◇ Baked on powder coat finish meets ANSA/AAMA 2604 specs and is available in unlimited colors

- 11 Popular Colors



- 16 Impressive Colors



- 7 Resemble Colors (painted finish resembling anodized)



- Unlimited Custom Colors

* Printed colors shown here may not accurately depict actual painted colors. Color samples are available upon request.

◇ ANSA/AAMA 2605 powder coat finishes

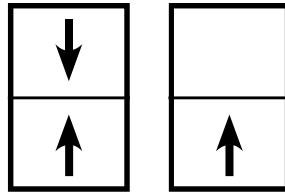
◇ AAMA 611-98 Class I clear and tinted anodized finishes

Our products are tested to the standards of and certified by the American Architectural Manufacturer's Association, the National Fenestration Rating Council and the Window & Door Manufacturers Association.





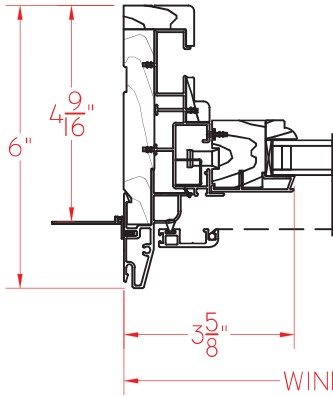
QUAKER
COMMERCIAL WINDOWS AND DOORS



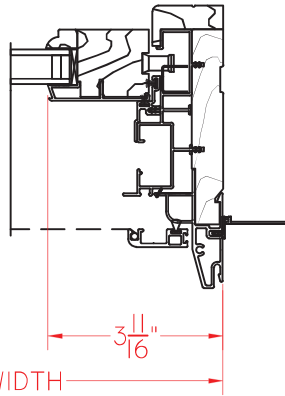
Brighton Series
R-50
6" Frame Depth
Double Hung/Single Hung

BRIGHTON DH/SH

② HORIZONTAL CROSS SECTION

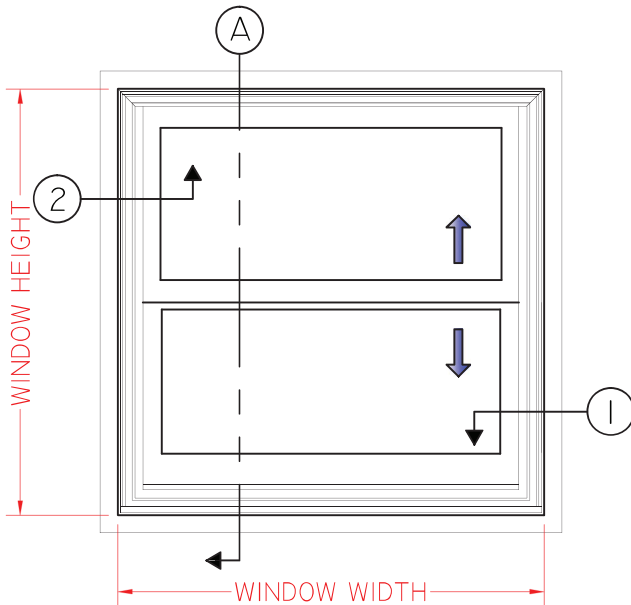
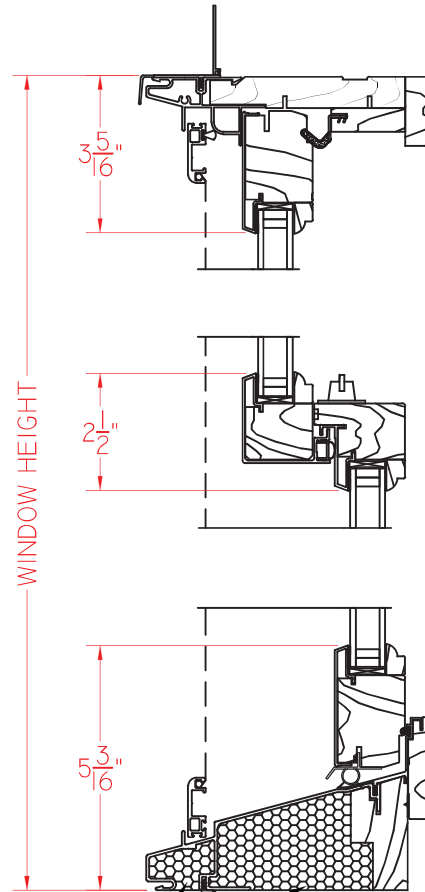


① HORIZONTAL CROSS SECTION



This document contains confidential and proprietary information intended for the private use of Quaker.
© 2016 Quaker Window Products Co., INC. All rights reserved. Quaker reserves the right to change any/all designs without notice. Due to periodic re-certification requirements, result shown may vary.

Ⓐ VERTICAL CROSS SECTION



ELEVATION SCALE 3/4" = 1'-0"

INSTALLER TO FILL CAVITY WITH FIBERGLASS INSULATION BEFORE SETTING WINDOW

BRIGHTON DOUBLE HUNG 12-29-2015 VERSION 3.0

SCALE 1:4

Our products are tested to the standards of and certified by the American Architectural Manufacturer's Association, the National Fenestration Rating Council and the Window & Door Manufacturers Association.



QUAKER
COMMERCIAL WINDOWS AND DOORS

UP TO 30% OFF SELECT FIRE SAFETY PRODUCTS. SHOP NOW >

Notifications

My Lists

Sign In

What are you looking for today?

Allen Park Lowe's
Open until 10 PM

Delivered
4810



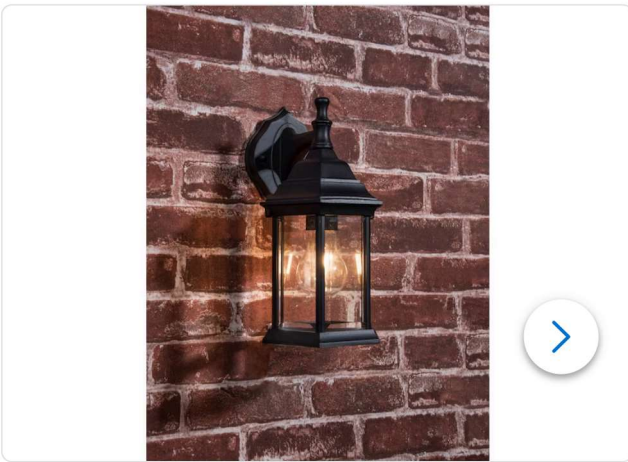
Prices, Promotions, styles, and availability may vary. Our local stores do not honor online pricing. Prices and availability of products and services are subject to change without notice. Errors will be corrected where discovered, and Lowe's reserves the right to revoke any stated offer and correct any errors, inaccuracies or omissions including after an order has been submitted.

< Back to Results / Lighting & Ceiling Fans / Outdoor Lighting / Outdoor Wall Lights

Project Source Henfield 1-Light 11.81-in H Matte Black Outdoor Wall Light

Item #1479179 | Model #5290101012

Shop Project Source ★★★★★ 115



EXCLUSIVE 50+ bought last week

\$29.98

\$28.48 When you choose 5% savings on eligible purchases every day. [Learn](#)

- Die-cast aluminum housing with black finish
- Clear glass light beautifully
- Weather resistant materials for durability season after season

Manufacturer Color/Finish: Black



\$29.98



\$29.98

What We Offer

Installation

\$99.00/ea

[Learn more about Installation](#)

Pickup

Ready within **3 hrs**

Delivery

As soon as **Tomorrow**

FREE Pickup at Allen Park Lowe's

[Check Other Stores](#)

8 in Stock Aisle 11 | Bay 16

— +

Add to Cart



Join. Earn. Save. [Learn More](#)

Earn points on eligible purchases towards MyLowe's Money



Easy & Free Returns

Return your new, unused item in-store or ship it back to us free of charge

[Learn More](#)

Feedback

Project Source Henfield 1-Light 11.81-in H Matte Black Outdoor Wall Light **\$29.98**

Shop Project Source ★★★★★ 115

Here are some similar items ...

Trending Now

Bestseller



38 AND 76 SERIES BRUSHED SMOOTH OR CEDAR TEXTURE PRIMED LAP SIDING

LOUISIANA-PACIFIC CORPORATION PERIODICALLY UPDATES AND REVISES ITS PRODUCT INFORMATION AND APPLICATION INSTRUCTIONS. WARRANTY REMEDIES ARE NOT AVAILABLE IF THESE APPLICATION INSTRUCTIONS ARE NOT FOLLOWED. THE INFORMATION IN THIS DOCUMENT IS SUBJECT TO CHANGE WITHOUT NOTICE.

FIND ALL LP® SMARTSIDE® PRODUCT LITERATURE AT LPCORP.COM/SMARTSIDE

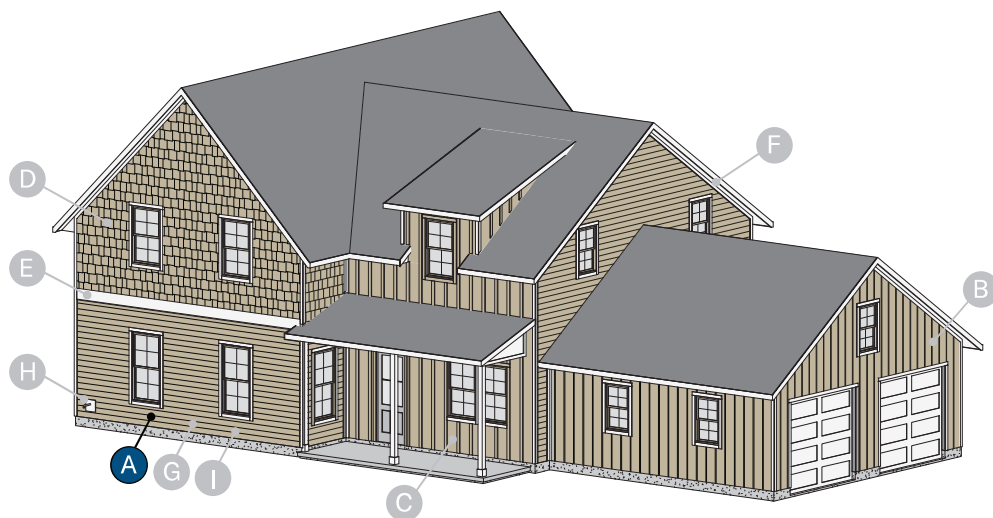
LP® SmartSide® Trim and Siding is covered under the LP® SmartSide® Prorated 50-Year Limited Warranty. Refer to the warranty, which is available online, for complete terms and conditions. Product must be transported, stored, handled, installed, finished, and maintained in accordance with all published application, finishing, and maintenance instructions and technical notes and bulletins (collectively, "Instructions") in effect at the time of installation.

Failure to follow such Instructions will make the Limited Warranty inapplicable as to the products affected by such failure. No modification or exception to these Instructions and no non-published recommendations are valid unless issued in writing on a project-specific basis by LP's Director of Technology prior to application. Always check and comply with local building codes. Where conflicts occur among the Instructions, applicable codes or referenced standards, the designer of record, or an authority having jurisdiction, the most restrictive requirement shall apply. Regardless of sheathing type or configuration of wall assembly components, LP's liability for the performance of the product is limited as expressly provided in the Limited Warranty.

⚠ WARNING: Drilling, sawing, sanding or machining wood products can expose you to wood dust, a substance known to the State of California to cause cancer. Avoid inhaling wood dust or use a dust mask or other safeguards for personal protection. For more information go to P65Warnings.ca.gov/wood-dust.

PRODUCT LEGEND

- A** LP® SmartSide® Lap Siding
- B** LP® SmartSide® Panel Siding
- C** LP® SmartSide® Vertical Siding
- D** LP® SmartSide® Cedar Shake
- E** LP® SmartSide® Trim & Fascia
- F** LP® SmartSide® Soffit
- G** LP® SmartSide® ExpertFinish® Lap Joint Siding
- H** LP® SmartSide® Accessories
- I** LP® SmartSide® Nickel Gap Siding



GENERAL INFORMATION

STORAGE

- Handle siding with care during storage and application.
- Store siding under a roof or separate waterproof covering.
- Store off the ground, supported on a flat well-drained surface.
 - Additional support may be required to achieve clearance from the ground.



BEFORE YOU BEGIN

- At the time of manufacture, siding meets or exceeds the performance standards set forth in ICC-ES AC321 and has achieved recognition under PR-N124, ESR-1301, CCMC 11826-L, FL#9109 and HUD-MR-1318d. For copies of product approvals go online at <https://lpcorp.com/product-literature> or call LP Customer Support at 888-820-0325.
- Where siding butts window trim, door casings, etc. leave a 3/16 inch (5 mm) gap and seal.
- Min. 6 inch (152 mm) clearance must be maintained between siding and finish grade (ground cover). *[Min. 200 mm (8 inch) clearance must be maintained between cladding and finish ground when installing cladding in Canada in accordance with NBC, Section 9.27.2.4.(1) or local building code requirements.]*

GENERAL INFORMATION (CONT'D.)

- Siding applied adjacent to surfaces such as porches, patios, balconies, or walking surfaces (including porch columns) must have a clearance of at least 1 inch (25 mm) above horizontal surface.
 - Clearance may be reduced to 3/8 inch (10 mm) for:
 - Porches, patios, balconies, or walking surfaces that slope away from the structure or the surface provides gaps that allow water to flow through so that it cannot accumulate, and is covered by a roof, not an eave or overhang; or
 - Porch columns with walking surfaces that slope away from the structure or the surface provides gaps that allow water to flow through so that it cannot accumulate.
- All wood substrate directly exposed to the weather must be sealed to prevent moisture intrusion and water build up.
 - Seal ALL exposed cuts of siding and trim. Field spray applied coatings on cuts are not recommended.
 - Sealing can be accomplished by applying a paint or sealant according to the manufacturer's requirements.
- See **Alternate Fastening Options** starting on page 7 for attaching lap to SIP or wood structural panel sheathing, steel studs, or ICF. Lap siding installed vertically can be found on pages 7, 8 and 9.

TRIM

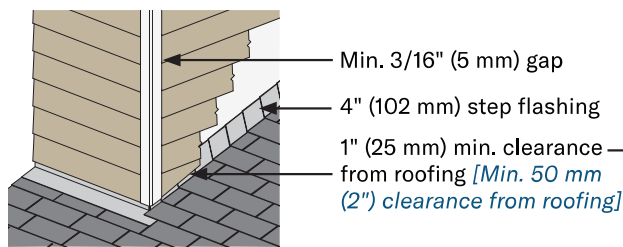
- Use a min. 540 Series trim so the lap siding does not extend beyond the face of the trim.
 - If trim is installed over lap, a thinner 440 or 190 Series trim may be used.
- Lap siding is not designed to be used as trim.
 - Exception: lap siding may be used as fascia.
- See page 9 for PREFERRED and ALTERNATE details for Outside and Inside Corner Trim. (Figure 9b, 9c, 9d, 9e)

FLASHING

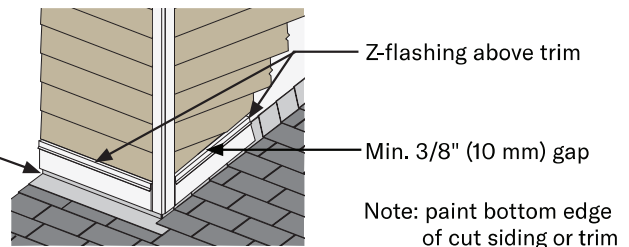
- All openings must be properly sealed or flashed in a manner that prevents moisture intrusion or buildup.
- Flashing shall be metal or another durable material that will last for not less than 50 years.
- Install step flashing at roof-to-wall intersections with a min. 4 inch (102 mm) upper leg. (Figure 2a)
- All other flashing must have a min. 4 inch (102 mm) upper leg.
 - Add 4 inch (102 mm) wide adhesive flashing when upper leg is less than 4 inches (102 mm).
- Properly integrate flashing with WRB. Use WRB or flashing tape to maintain counterflashing principle.

ROOF TO WALL INTERSECTION

- Maintain 1 inch (25 mm) clearance between siding and roofing, or trim and roofing. *[Min. 50 mm (2 inch) clearance at intersection with roof line must be maintained between roof surface and cladding when installing cladding in Canada in accordance with the NBC, Section 9.27.2.4.(2) or local building code requirements.]*



Roofing Option - Siding
Figure 2a



Roofing Option - Trim
Figure 2b

Note: paint bottom edge of cut siding or trim

KICK-OUT FLASHING

- Install kick-out flashing at roof eave-to-wall intersections to direct water into gutter.
- **DO NOT extend siding or trim into kick-out flashing or gutter.**
- Maintain 1 inch (25 mm) clearance between the end of the gutter and the adjoining wall to allow for proper maintenance of the siding.

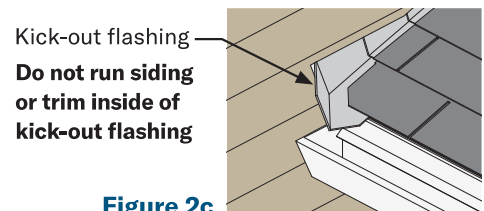


Figure 2c

MOISTURE

- Moisture and vapor control are critical elements of proper housing design.
 - Check your local building code for requirements for handling moisture and water vapor in your area.
 - Do not apply engineered wood siding to a structure having excessive moisture conditions such as drying concrete, plaster or wet blown cellulose insulation.
 - If such conditions exist, building should be well ventilated to allow to dry prior to siding application.
 - When using wet blown cellulose insulation it must not be in direct contact with the siding, and it must be allowed to dry a min. of 24 hours or longer if specified by the insulation manufacturer.
- Siding must not be installed on green or crooked studs.
- Do not apply siding over rain-soaked or buckled sheathing.

WATER-RESISTIVE BARRIER (WRB)

- A properly installed WRB is required behind siding, unless exempt by building code.
 - Although building codes generally exempt concrete masonry units (CMU) or poured concrete from WRB requirements, LP still requires a non-compressible drainable housewrap behind siding ([See TB #031](#)).
- LP assumes no liability for water penetration or any other issues associated with the WRB.

FASTENING INSTRUCTIONS

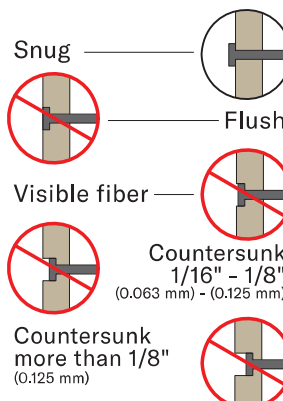
STUD SPACING OPTIONS

- 38 Series lap siding may be attached **direct to studs** spaced max. 16 inches (406 mm) o.c.
- 76 Series lap siding may be attached **direct to studs** spaced max. 24 inches (610 mm) o.c.
- Both 38 and 76 Series lap siding may be attached **directly to a min. 7/16 Category wood structural panel sheathing** with studs spaced a max. 24 inches (610 mm) o.c.

INSTALLATION

- Begin by nailing a starter strip 3/8 inch (10 mm) thick x 1-1/2 inches (38 mm) wide, flush with bottom edge of sill plate.
 - Starter strip serves two purposes
 - Provides separation of lap siding from CMU or poured concrete.
 - Provides proper angle to first course of lap siding.
 - Exception: starter strip may be omitted if separation from concrete is maintained. ([Figure 6e, 6f or 6g](#))
- Install siding blind-nailed, place nail 3/8 inch (10 mm) from either end, and a min. of 3/4 inch (19 mm) from the top edge.
 - Overlap successive courses of lap a min. 1 inch (25 mm).
 - Shim siding at studs as needed to avoid drawing siding against uneven walls.
 - Nails will be exposed on siding located immediately below window sills, fascia boards, or horizontal trim and shall be spaced a max. 8 inch (203 mm) o.c. ([Figure 9a](#))
- Use a min. 0.092 inch shank diameter, hot-dip galvanized nail (ASTM A153) or equivalent; capable of preventing rust, stain and deterioration under normal outdoor environmental conditions for a period of no less than 50 years. Penetrate studs or combination of WSP sheathing and studs a min. of 1-1/2 inches (38 mm).
 - A larger 0.113 inch shank diameter nail may be required depending on the wind pressure, wind speed and wind exposure category limitations in PR-N124 or ESR-1301. Penetrate studs or combination of WSP sheathing and studs a min. of 2 inches (51 mm).
- Nail from the center of the siding toward the ends, or from one end to the other end. NEVER nail from the ends of the siding toward the middle.
- Butt joints should be staggered over successive courses.
- Do not overdrive nails.
 - Nail head should seat snug to face of siding, but not flush to distort the siding surface.
 - Face nails:** corrections are detailed in [Figure 3a](#).
 - Blind nails:** only correction required would be re-nailing when countersunk more than 1/8 inch.
- Painting all exposed nail heads is recommended.

FACE NAILED CONDITION



CORRECTION

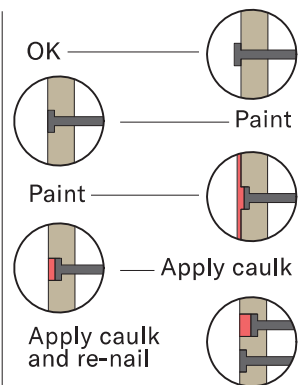


Figure 3a

FASTENING OPTIONS OVER FOAM PLASTIC SHEATHING (RIGID FOAM INSULATION)

- Lap siding may be installed directly over foam sheathing.

FOAM PLASTIC SHEATHING ≤ 1 INCH (25 MM)

- Increase nail length to ensure a min. 1-1/2 inch (38 mm) penetration into studs, or combination of studs and WSP sheathing (Figure 4a), or WSP sheathing only attachment. (Figure 4b)

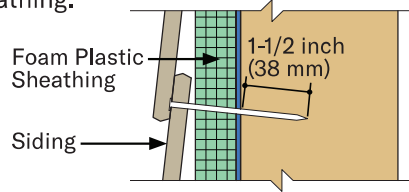


Figure 4a

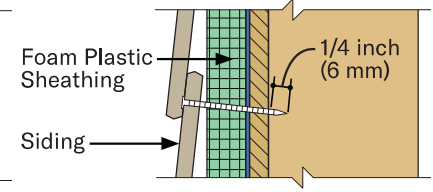


Figure 4b

FOAM PLASTIC SHEATHING > 1 INCH (25 MM)

- Siding attachment: Refer to IRC Chapter 7, Wall Covering for prescriptive siding attachments over foam sheathing up to 4 inches (102 mm) thick, direct to wood or steel studs for support of siding weight only. **Does NOT include wind loads.**
 - Refer to Table 703.15.1 for min. fastening requirements over foam sheathing to wood studs.
 - Refer to Table 703.16.1 for min. fastening requirements over foam sheathing to steel studs.

- Fastener placement:
 - Nail spacing depends on siding attachment method; Direct to Stud or wood structural panel (WSP) sheathing attachment, and
 - Wind load limitations in PR-N124 or ESR-1301.

- LP assumes no liability for loss or damage associated with fastening requirements of the applicable code.

FURRING OVER FOAM PLASTIC SHEATHING

- Use a min. 3/4 inch (19 mm) thick x 3-1/2 inch (89 mm) wide Southern Pine furring strip with a specific gravity ≥ 0.55.
 - 38 Series lap siding may be attached to furring spaced a max. 16 inches (400 mm) o.c.
 - Depending on wind load limitations in PR-N124 or ESR-1301.
 - 76 Series lap siding may be attached to furring spaced a max. 24 inches (600 mm) o.c.
 - Depending on wind load limitations in PR-N124 or ESR-1301.

- Furring attachment direct to wood or steel studs:
 - Refer to IRC Chapter 7 on Wall Covering for prescriptive furring attachment over foam sheathing up to 4 inches (102 mm) thick.
 - Refer to Table 703.15.2 furring min. fastening requirements over foam sheathing to wood studs.
 - Refer to Table 703.16.2 furring min. fastening requirements over foam sheathing into steel studs.

- Siding attachment to furring: (Figures 10d, 10e)
 - Use a min. 0.120 inch diameter ring shank, hot-dip galvanized nail (ASTM A153) or equivalent.
 - Nail length must be long enough to penetrate min. 1/2 inch (13 mm) into furring.
 - Place nail 3/4 inch (19 mm) from top edge of siding.
 - Increase min. overlap to 1-1/8 inch (29 mm).
 - Blind nail two fasteners per furring strip (four nails at butt joints). (Figure 4c)

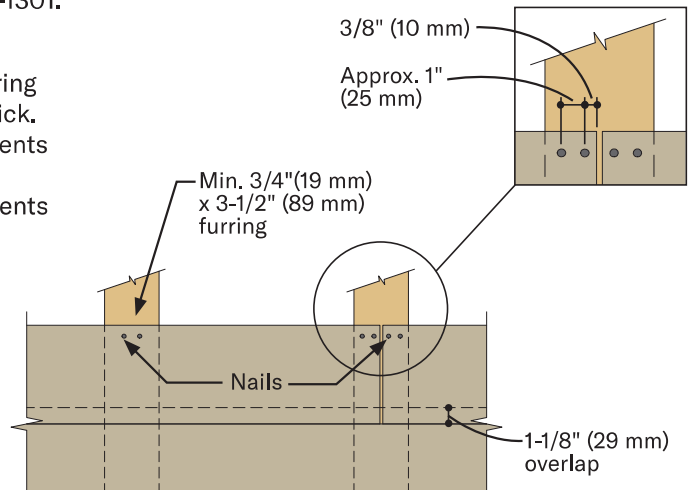


Figure 4c

ADDITIONAL FASTENING OPTIONS ≤ 1 INCH (25 MM)

EXTERIOR GYPSUM SHEATHING

- Siding may be installed over exterior gypsum sheathing, according to the following:
 - Adequate bracing of the wall is provided in accordance with the local building code.
 - Nail length must be increased to ensure a min. 1-1/2 inch (38 mm) penetration into wood studs, or combination of WSP sheathing and wood studs.

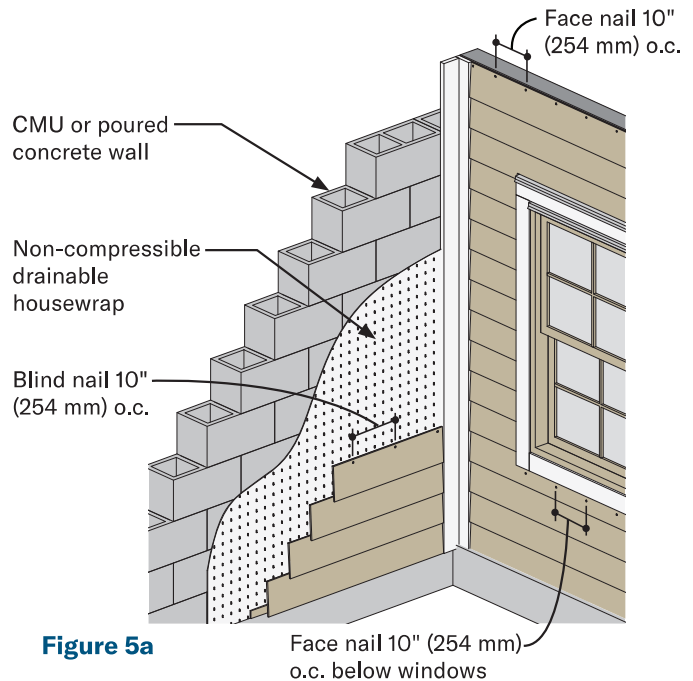
EXISTING WOOD SIDING OR WOOD COMPOSITE SIDING

- Siding may be installed over existing wood or wood composite siding, if the existing siding does not affect the ability to correctly install siding.
 - A properly installed WRB is required between the existing siding and the new siding.
 - A uniform surface behind siding is required to avoid contouring of siding.
 - Do not install over existing siding that is not flat or uniform.
 - Min. nail penetration and max. stud spacing must not be compromised.
 - Ensure wall assembly meets structural requirements specified in building code and by local code authority.
 - Repair any areas of the existing siding that are not structurally sound, not installed correctly, or exhibit signs of decay.

ADDITIONAL FASTENING OPTIONS (CONT'D.)

CONCRETE MASONRY UNIT (CMU) OR POURED CONCRETE

- Non-Compressible Drainable Housewrap (NCDH) is required behind siding installed over CMU or poured concrete walls.
 - Refer to [Technical Bulletin #031](#) for definition of NCDH.
 - Attach NCDH to wall per manufacturer's instructions or use a min. 3/8 inch (10 mm) stub nail.
 - Properly tape and/or seal wall penetrations in accordance with the NCDH manufacturer's instructions.
- Siding attachment: Use fasteners suitable for CMU or poured concrete walls as specified by the fastener manufacturer.
 - Use a fastener with a min. allowable withdrawal capacity and fastener head pull-through capacity of 62 lbf/nail (276 Nf/nail) or greater, based on load duration factor of 1.6.
 - Min. shank diameter = 0.140 inch (3.6 mm).
 - Min. length = 1.25 inches (32 mm).
- Commonly used concrete fasteners include, but not limited to Aerosmith® Power-Pin™ 5323HPG PT2000 plating, head diameter 0.300 inch (7.6 mm) x shank diameter 0.145 inch (3.7 mm) x length 1.25 inches (32 mm), smooth shank.
- Fastener placement:
 - Install blind-nailed a max. 10 inches (254 mm) o.c. with fastener placed 3/8 inch (10 mm) from either end, a min. 3/4 inch (19 mm) from the top edge of the board.
 - Immediately below window sills, frieze boards and horizontal trim nails will be exposed every 10 inches (254 mm) o.c.
 - Overlap siding a min. 1 inch (25 mm).



FIRE-RATING

CAL FIRE WUI

- California Building Code, Chapter 7A [SFM] Materials and Construction Methods for Exterior Wildfire Exposure compliance can be achieved using LP® SmartSide® lap siding installed as described in:
 - CAL FIRE BML# 8140-2027:0001 over 1/2" (13 mm) standard gypsum wallboard applied behind lap on exterior side of framing; or
 - CAL FIRE BML# 8140-2027:0005 atop LP® FlameBlock® sheathing.

FIRE-RATED WALL ASSEMBLY

- LP SmartSide lap siding may be installed over the exterior portion of a 1-hour fire-resistive exterior wall assembly, including assemblies using gypsum wallboard listed in the Gypsum Association Fire Resistance Design Manual.
- For information on fire-rated wall assemblies: <https://lpcorp.com/products/panels-sheathing/fire-rated-osb-sheathing/assemblies>

FINISHING INSTRUCTIONS

- Seal gaps with a high-quality, non-hardening, paintable sealant meeting ASTM C920, minimum Class 25.
 - Follow sealant manufacturer's instructions for application.
- Paint all exposed surfaces, including all drip edges or where water will hang. For best results, use a high-quality 100% acrylic exterior paint specially formulated for use on wood and engineered wood substrates; oil paint is acceptable.
 - DO NOT USE stain or vinyl-based paint.
 - Apply paint as soon as possible or within 180 days.
 - Follow paint manufacturer's instructions for application.
 - Follow LP's Care & Maintenance Instructions.

BRUSHED SMOOTH Lap Siding:

- Either flat, satin or semi-gloss coatings can be applied to brushed smooth finish lap siding.
 - Each offers different appearance & maintenance benefits.

CEDAR TEXTURE Lap Siding:

- For best results use semi-gloss finish.

BUTT JOINTS

• Butt joint can be finished in one of four options:

1. If **sealant (caulking)** option is selected, caulk gap at butt joints with a high-quality exterior sealant meeting ASTM C920, min. Class 25.

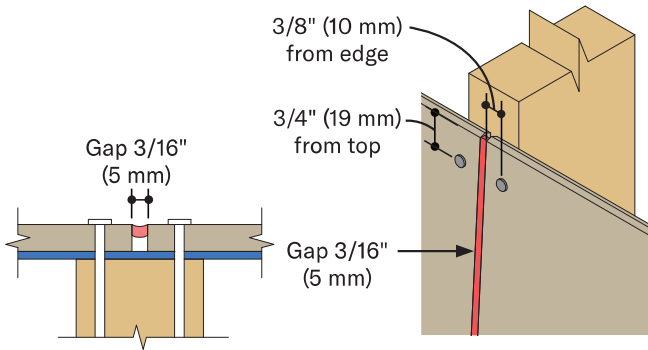


Figure 6a

2. If **joint moulding** option is selected, add the thickness of the joint moulding web to butt joint gap retaining a net 3/16 inch (5 mm) space for expansion.

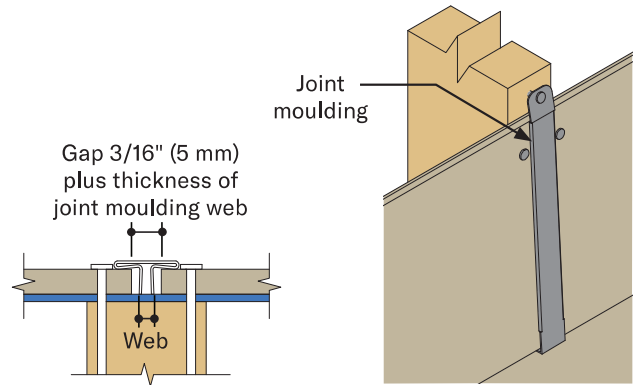


Figure 6b

3. If **open butt joint** (no caulking or moulding) using **primed siding** is selected, a min. 4 inch (102 mm) wide pan flashing is required, factory primed ends must be maintained on both sides of butt joint.

- In addition the factory primed ends must be coated with an additional layer of high-quality 100% acrylic exterior primer per the manufacturer's requirements prior to installation of siding.

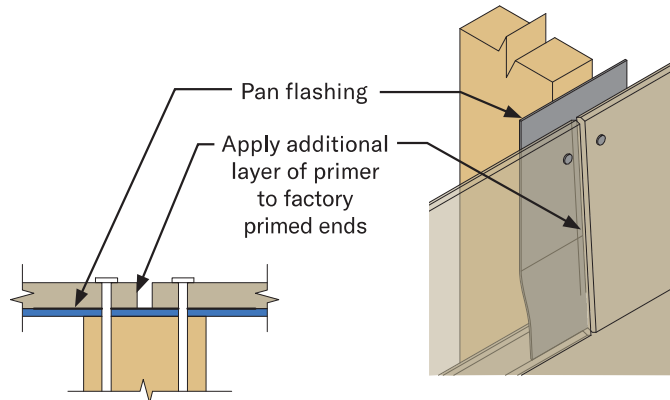


Figure 6c

4. If **open butt joint** (no caulking or moulding) using **factory Prefinished siding** is selected, a min. 4 inch (102 mm) wide pan flashing is required, factory prefinished ends must be maintained on both sides of butt joint.

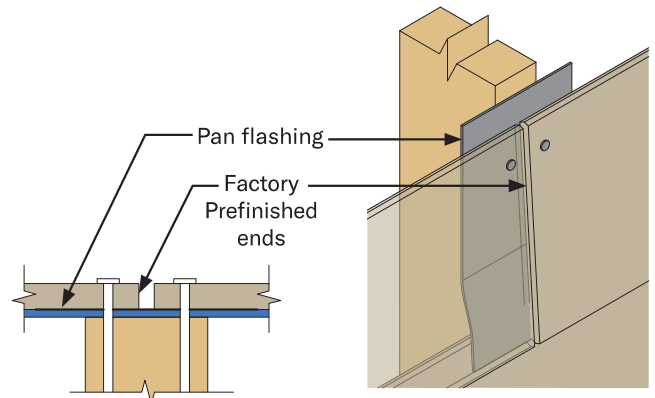
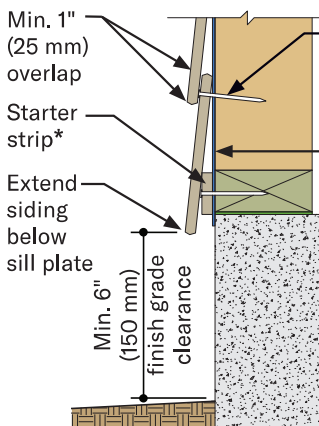


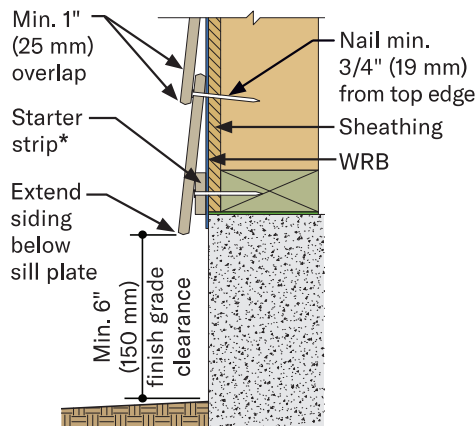
Figure 6d

OVERLAP, CLEARANCE & NAIL PLACEMENT



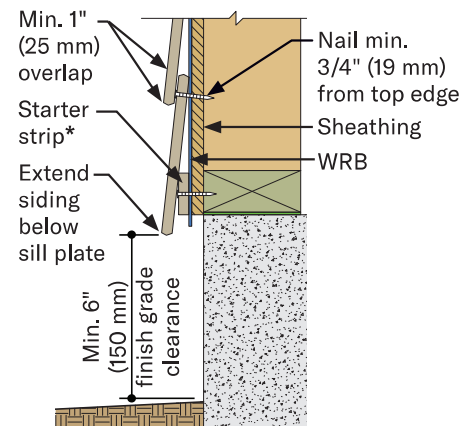
Siding - Direct to Stud Attachment

Figure 6e



Siding - Direct to Stud w/WSP Attachment

Figure 6f



Siding - WSP Sheathing Attachment

Figure 6g

SIDING OR TRIM ADJACENT TO STUCCO/MASONRY

- Where siding is installed adjacent to stucco, brick, cultured stone, mortar, etc.
 - Leave a 3/8 inch (10 mm) gap and caulk.
 - Backer rod may be required by caulking manufacturer.

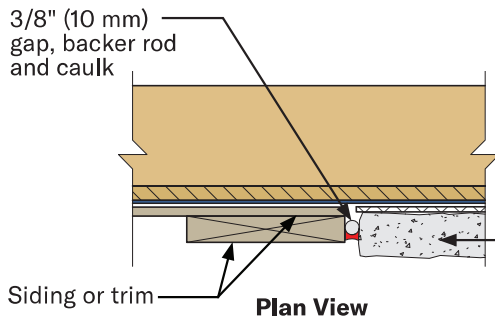


Figure 7a

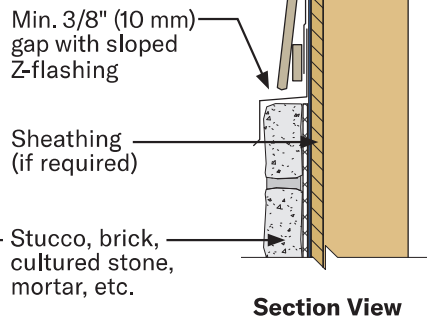


Figure 7b

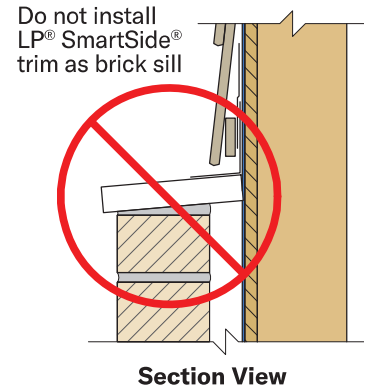


Figure 7c

ALTERNATE FASTENING OPTIONS

WOOD STRUCTURAL PANEL (WSP) SHEATHING OR SIP ASSEMBLIES

- WSP wall sheathing must be a min. 7/16 Category with APA Trademark that contains the consensus Standard DOC PS 2.
- Siding may be nailed to SIP or WSP sheathing with:
 - Min. 0.092 inch diameter **ring shank**, hot-dip galvanized nail (ASTM A153) or equivalent.
 - Nail length must be long enough to fully penetrate sheathing by at least 1/4 inch (6 mm). (Figures 7d, 7e)
 - Ensure that the ring shanks of the nail fully engage the wood structural panel sheathing.
 - Space fasteners depending on the wind pressure, wind speed and wind exposure category limitations in PR-N124, Table 4a or 4b; or ESR-1301, Table 4a or 4b.

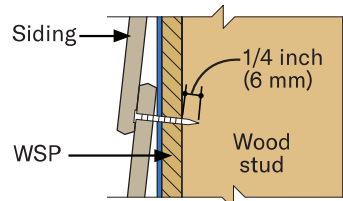


Figure 7d

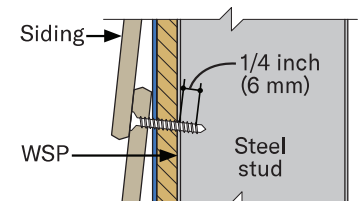


Figure 7e

STEEL STUD FRAMING ASSEMBLIES

- Siding must be fastened with:
 - Min. #8 stainless steel or equivalent, self-drilling tapered head screw.
 - Min. of 5 threads beyond the combined thickness of the siding and steel stud framing. (Figures 7f, 7g)
- Min. steel stud thickness of 0.032 inch (8 mm) or 20 gauge.
- Min. withdrawal value of steel stud must be 50 lbs. (23 kg).
 - Refer to steel stud manufacturer's evaluation report.

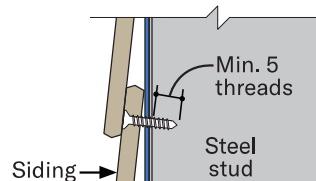


Figure 7f

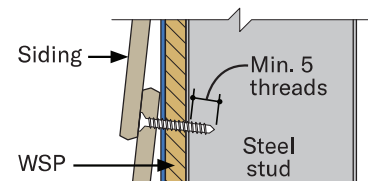


Figure 7g

INSULATED CONCRETE FORMS (ICF) ASSEMBLIES

- Siding must be fastened with:
 - Min. #8 stainless steel or equivalent, self-drilling tapered head screw.
 - Min. penetration of 3/8 inch (10 mm) beyond the thickness of the nailing flange.
- Larger screws may be required by ICF Manufacturer based on the following min. withdrawal requirements.
 - Min. withdrawal value of ICF nailing flange must be 50 lbs. (23 kg) with max. 12 inches (305 mm) o.c. spacing.
 - Min. withdrawal value of ICF nailing flange must be 31 lbs. (14 kg) with max. 6 inches (152 mm) o.c. spacing.

LAP SIDING INSTALLED VERTICALLY

- Siding must be installed in a sheathing only attachment method over min. 7/16 Category WSP sheathing with an APA Trademark that contains the consensus Standard DOC PS 2.
 - Exception: can be installed over LP® FlameBlock® Fire-Rated OSB Sheathing.
- Due to expected plate shrinkage, each vertical application of battens or lap siding is not to span beyond one floor to ceiling distance, or one floor to top of gable distance. (Figures 8a, 8b)
 - Exception: residing existing structures.
- The edges of lap siding installed vertically must be spaced a min. of 3/16 inch (5 mm) from each other. (Figures 9a, 9b)

ALTERNATE FASTENING OPTIONS (CONT'D.)

- DO NOT bridge floors with lap installed vertically or battens. (Figures 8b)
 - Create a horizontal joint between floors.
 - Joint must be flashed with sloped Z-flashing.
- Siding nail requirements:
 - Use a min. 0.092 inch diameter **ring shank**, hot-dip galvanized nail (ASTM A153) or equivalent.
 - Nail shall be long enough to fully penetrate WSP sheathing by at least 1/4 inch (6 mm). Ensure that the ring shanks of the nail fully engage the WSP sheathing.
 - **Caution:** nail length should be chosen to reduce possible damage to wiring or utilities in wall.
 - Place nails 3/8 inch (10 mm) from ends and edges. (Figure 8c)
 - Nail spacing for lap siding installed vertically or lap over lap:
 - Place with two nails at both ends, with additional nails spaced a max. of 6 inches (152 mm) o.c. along alternating edges (Figure 9c)
- Batten nail requirements:
 - Use a min. 0.092 inch diameter **ring shank**, hot-dip galvanized nail (ASTM A153) or equivalent.
 - Ring Shank nails provide superior resistance to nail pull-through. In Hurricane-Prone Regions or locations where negative wind loads are a concern, ring shank nails should be used.
 - Finish nails may be used in other locations with the following cautions: Do not overdrive or counter sink the fastener, nail snug with the surface of batten.
 - Place nails 3/8 inch (10 mm) from ends and edges. (Figure 8d, 8e)
 - Detachment of batten is not covered by the LP SmartSide limited warranty whether ring shank or finish nails are used.
 - Nail Spacing for Battens: Place two nails at both ends, with additional nails spaced a max. 12 inches (309 mm) o.c. along alternating edges the length of batten. (Figure 8d)
 - Exception: for battens 1-1/2 inches (38 mm) wide or less, one nail is required at each end with additional nails spaced a max. 24 inches (305 mm) o.c. along alternating edges. (Figure 8e)
 - Batten may be a min. 1/2 inch (13 mm) x 1-1/2 inch (38 mm) wide.
 - Caution: when selecting batten less than 2-1/2 inches (64 mm) wide, it may be difficult for batten to conceal nail heads.
 - Visible nail heads that are not covered by battens are an aesthetic issue and not covered under Limited Warranty.

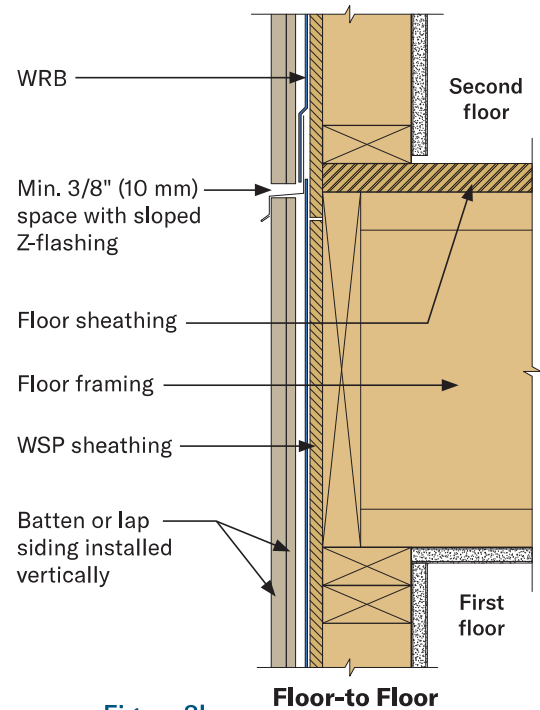


Figure 8b

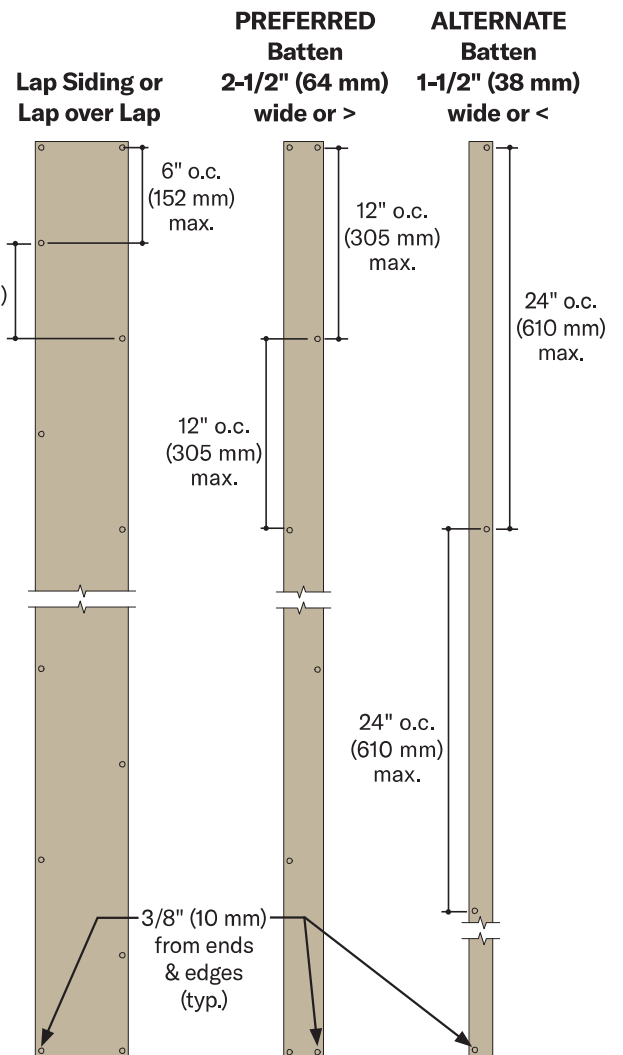


Figure 8c

Figure 8d

Figure 8e

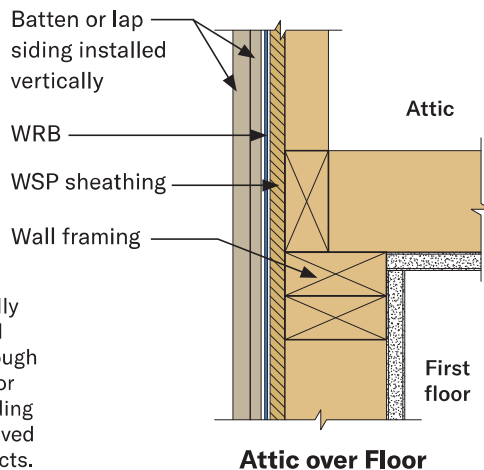
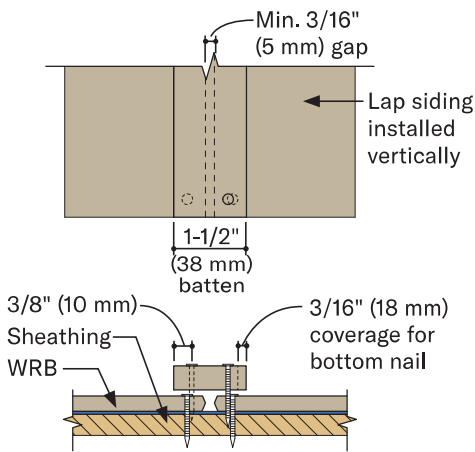


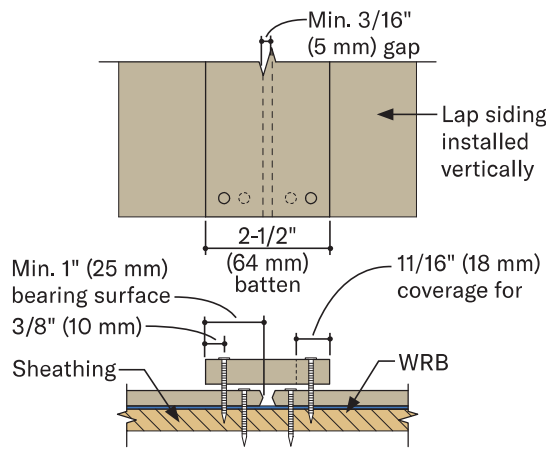
Figure 8a

Note: Lap siding installed vertically may be applied over an entangled mat WRB. Ensure mat is rigid enough to receive siding to avoid a wavy or inconsistent appearance. Lap siding installed horizontally is not approved for use over entangled mat products.

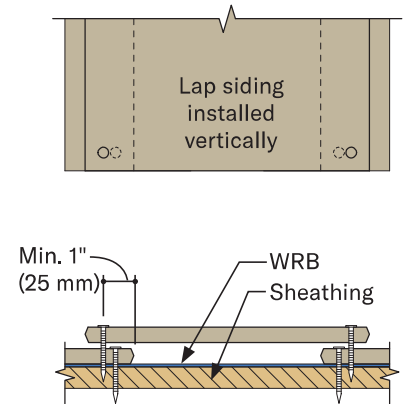
ALTERNATE FASTENING OPTIONS (CONT'D.)



**ALTERNATE
Batten Attachment**
1-1/2" (38 mm) wide or <
Figure 9a

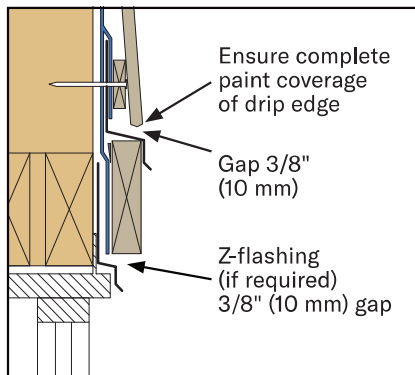


**PREFERRED
Batten Attachment**
2-1/2" (64 mm) wide or >
Figure 9b



Lap over Lap Attachment
Figure 9c

GENERAL INFORMATION



FLASHING OVER DOOR & WINDOW OPENINGS

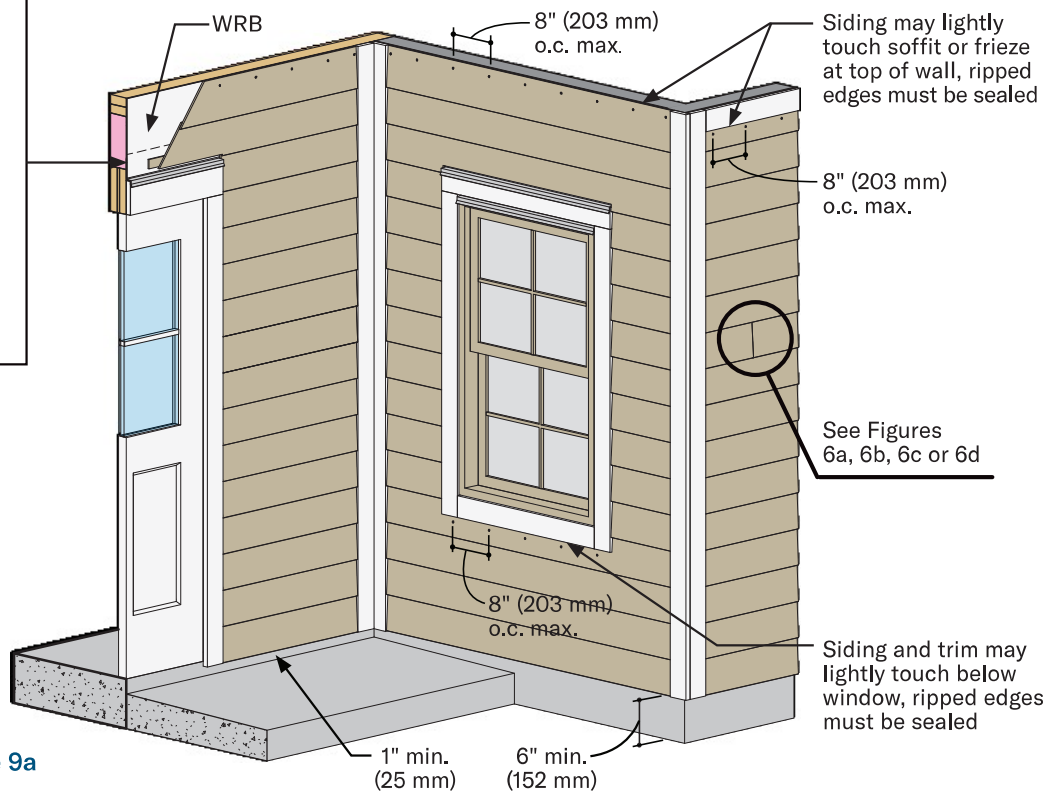
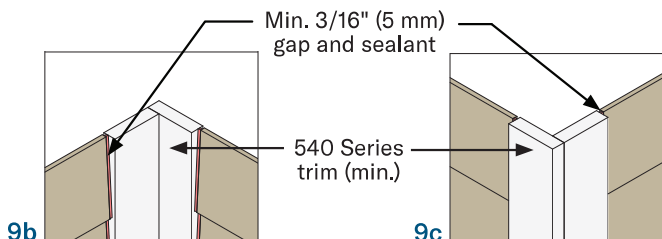
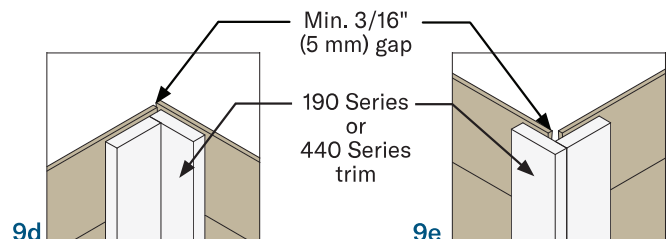


Figure 9a



**INSIDE CORNER
PREFERRED**

**OUTSIDE CORNER
PREFERRED**



**INSIDE CORNER
ALTERNATE**

**OUTSIDE CORNER
ALTERNATE**

WOOD FRAMED WALL ASSEMBLIES - EXAMPLES

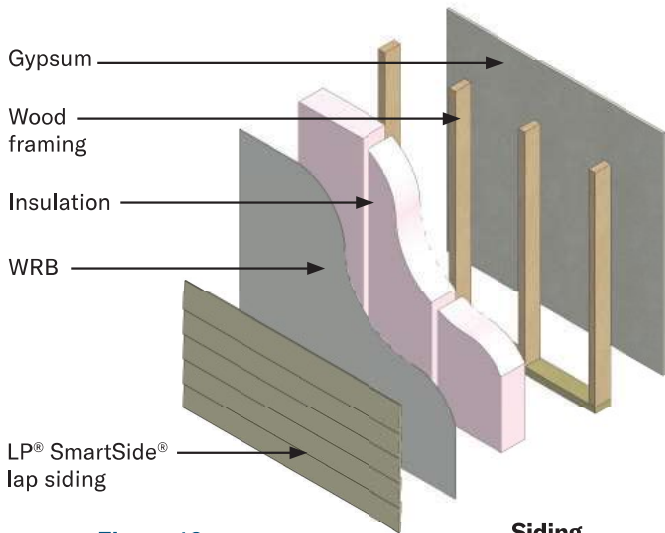


Figure 10a

Siding without Sheathing

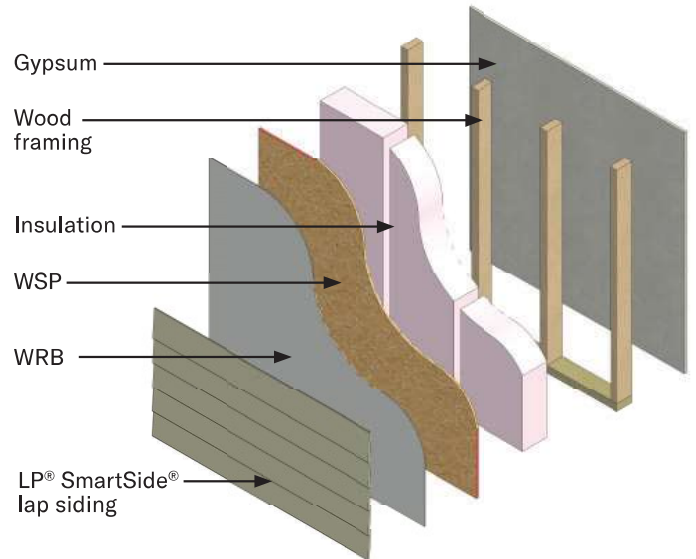


Figure 10b

Siding with WSP Sheathing

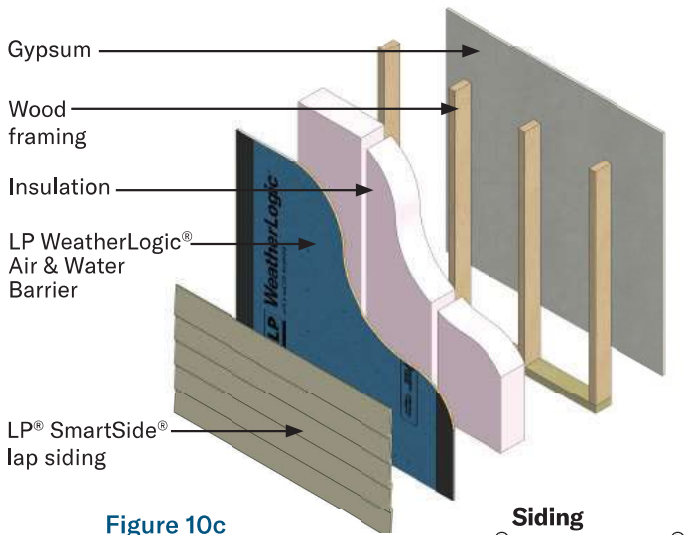


Figure 10c

Siding with LP® WeatherLogic®

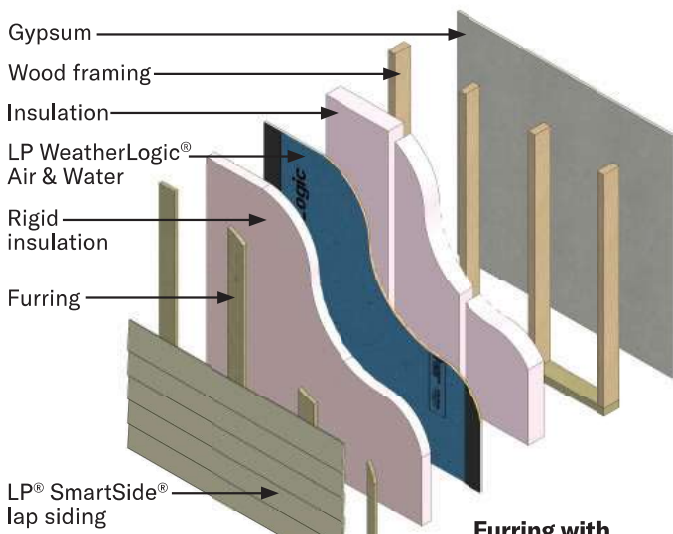


Figure 10e

Furring with Rigid Insulation w/ WeatherLogic® Sheathing

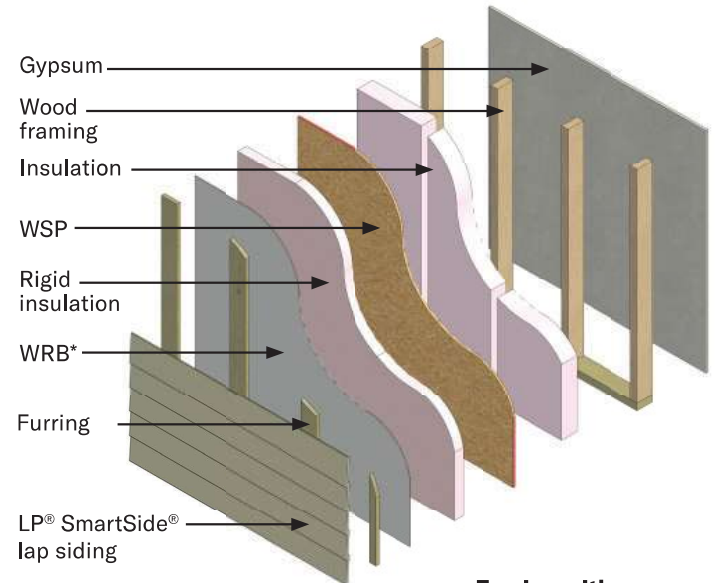


Figure 10d

Furring with Rigid Insulation w/ WSP Sheathing

* WRB location in wall assembly may vary depending on climate zone or other factors.

LP® SmartSide® Lap Siding Application Tips

IMPORTANT Always refer to the complete application instructions for the product you are installing. The application tips provided below are not intended to replace such instructions. Application instructions can be found at LPCorp.com. Failure to follow the full application instructions could cause personal injury or property damage, affect system performance, void any applicable warranty and/or violate applicable building codes.

Exercise safe practices at all times while handling and using this product. Refer to the relevant Safety Data Sheet (SDS) for important information on the safe handling and use of this product. These can be found at LPCorp.com.

- Lap siding may be attached Direct to Studs or Direct to Wood Structural Panel (WSP) Sheathing:
 - o **Direct to Stud** - nails must penetrate structural framing, or combination of WSPs and structural framing min. 1-1/2" (38 mm), some installations may require 2" (51 mm) penetration see PR-N124 or ERS-1301
 - o **Direct to WSP Sheathing** - nails must be long enough to penetrate beyond WSP by 1/4" (6 mm)
- Stud spacing – see application instructions for spacing from 16" (406 mm) o.c. to 24" (610 mm) o.c.
- See application instructions for alternative nailing options for: SIP, steel studs, ICF's and lap siding installed vertically.
- Nail size:
 - o **Direct to Stud** – a min. 0.092" shank diameter hot-dip galvanized (ASTM A153) nail may be used, some installations may require a larger 0.113" shank diameter depending on wind pressure, wind speed and wind exposure limitations in PR-N124 or ESR-1301
 - o **Direct to WSP Sheathing** - a min. 0.092" shank diameter hot-dip galvanized (ASTM A153) ring shank nail
- Nail placement – 3/8" (10 mm) from siding end and a min. of 3/4" (19 mm) down from top edge of siding
- Nail spacing:
 - o **Direct to Stud** – one nail every 16" (406 mm) o.c. or 24" (610 mm) o.c. depending on stud spacing of lap siding
 - o **Direct to WSP Sheathing** – nailing pattern varies from 8" (203 mm) o.c. to 12" (305 mm) o.c. depending on the wind pressure, wind speed and wind exposure limitations in PR-N124 or ESR-1301
- Overlap – min. of 1" (25 mm), siding shall not project beyond the face of trim
- Do not overdrive nails – nail head should seat snug to the face of siding, if overdriven - see Application Instructions
- Caulk – use a high-quality, non-hardening, paintable exterior sealant meeting ASTM C920, min. Class 25
- Seal all exposed substrate – sealing can be accomplished by applying a paint or caulk
- Spacing at lap siding butt joints and trim – min. 3/16" (5 mm)
- Butt joints – 4 methods:
 1. Caulk
 2. Joint Moulding
 3. Pan flashing - primed siding
 4. Pan flashing - Prefinished siding
- Siding clearance at finish grade (ground cover) – min. 6" (152 mm)
- Siding clearance adjacent to surfaces such as porches, patios, or porch columns, etc. – min. 1" (25 mm):
 - o May be reduced to 3/8" (10 mm) – see Application Instructions
- Siding must not be in direct contact with CMU, poured concrete, brick, cultured stone, stucco, mortar, etc.
- Drip cap flashing – required above all windows, doors and horizontal trim per manufacturer's instructions:
 - o Flashing shall be metal or another durable material that will last for not less than 50 years
 - o Provide 3/8" (10 mm) gap above any drip cap flashing, do not caulk gap
- The piece of lap siding below a windowsill or frieze board will require face-nailing - see Application Instructions
- Siding over foam plastic sheathing adds complexity to siding installation – see Application Instructions
- For Limitations of Use – see Application Instructions, Technical Notes, Technical Bulletins and NSA Bulletins

UP TO 30% OFF SELECT FIRE SAFETY PRODUCTS. SHOP NOW >

Notifications

My Lists

Sign In

What are you looking for today?

Allen Park Lowe's
Open until 10 PM

Deliver
4810



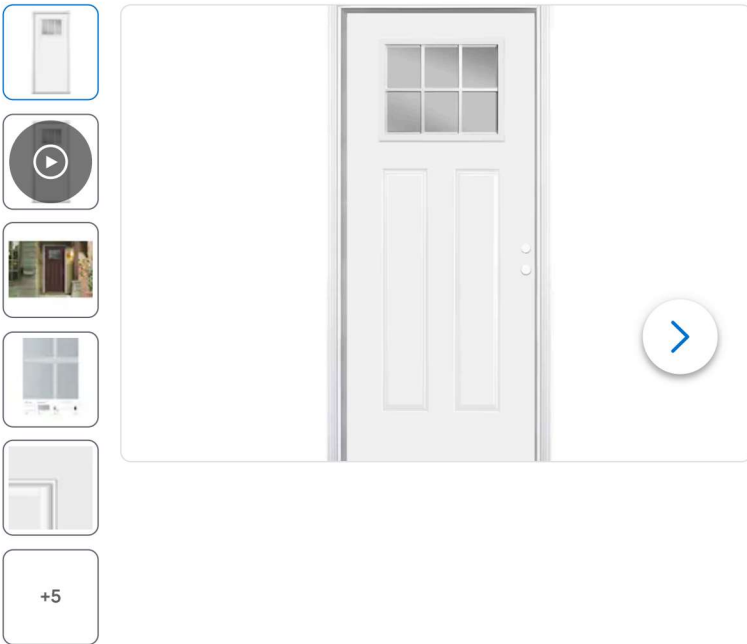
Prices, Promotions, styles, and availability may vary. Our local stores do not honor online pricing. Prices and availability of products and services are subject to change without notice. Errors will be corrected where discovered, and Lowe's reserves the right to revoke any stated offer and correct any errors, inaccuracies or omissions including after an order has been submitted.

< Back to Results / Windows & Doors / Exterior Doors / Front Doors

Masonite 32-in x 80-in x 4-9/16-in Steel Craftsman Left-Hand Inswing Primed Prehung Front Door with Brickmould Insulating Core with Grills

Item #741112 | Model #741112

Shop Masonite ★★★★☆ 48



In 20+ carts last week

\$348.00

\$330.60 When you choose 5% savings on eligible purchases every day. [Learn How](#)
OR
\$58/mo Suggested payment with 6 month special financing. [Learn How](#)

Buy Now, Pay Later
\$31.41 with 12 monthly payments. [Learn How](#)

High-definition Masonite steel door features decorative panel profiles that offer ultimate security
 Clear glass design allows the maximum amount of daylight into your home
 Smooth, primed surface ready to paint, with wood frame

Common Size (W x H): 32-in x 80-in

32-in x 80-in

36-in x 80-in

Handing: Left-hand inswing

Left-hand inswing

Right-hand inswing

Pickup

Ready within **3 hrs**

Delivery

As soon as **Tomorrow**

FREE Pickup at Allen Park Lowe's
[Check Other Stores](#)

1 in Stock **Aisle 45 | Bay 9**

- +

Add to Cart

Masonite 32-in x 80-in x 4-9/16-in Steel Craftsman Left-Hand Inswing Primed Prehung Front Door with Brickmould Insulating Core with Grills

Shop Masonite ★★★★☆ 48

\$348.00

[Get It Installed](#)

Join Earn Save [Learn More](#)

Easy & Free Returns

DocuSign Envelope ID: 8998794A-1022-4668-9D99-B63600566663

Buckland Blue

HC-151

DocuSign Envelope ID: 8998794A-1022-4668-9D99-B63600566663


Pompeii

OC-82

Pinnacle® Pristine

High Performance Meets Lasting Beauty



love where you live 



Pinnacle® *Pristine*

High Performance Meets Lasting Beauty



Smart, Beautiful, Durable... Why Choose Just One?

Black Shadow 

Atlas Pinnacle® Pristine architectural shingles offer a wide variety of beautiful color options to complement your home's exterior.

Together, with the power of Scotchgard™ Protector and a warranty that covers damage from winds

up to 130 mph. In addition, Pinnacle®

Pristine shingles carry a UL 2218

Class 3 impact rating, for

increased protection against

damaging hail.



Pinnacle® Pristine Colors



Black Shadow



Coastal Granite



Hearthstone



Pewter



Summer Storm



Oyster Shell



Copper Canyon



Heatherblend



Burnt Hickory



Majestic Shake



Weathered Wood - Shown on cover



Weathered Shadow*



Morning Harvest



Tan Mist*



Woodland Green



Sunset*

* Limited regional availability. Please contact your local supplier.



Dreaming of a Home Redesign?

Get creative with the Atlas roof inspiration center. In the Roof & Home Design Studio, you can upload photos of your home and swipe for different looks. With the Visual Product Selector, you can explore Atlas shingle styles, features, and colors to help you visualize and choose the perfect roof for your home.

AtlasRoofing.com/Roof-Inspiration



The Problem

Over time, shingles without proper protection can develop unsightly black streaks caused by blue-green algae.



The Solution

Atlas shingles featuring Scotchgard™ Protector fight algae and unsightly black streaks, keeping your roof looking newer, longer.

Life Is Messy — Your Roof Shouldn't Be

Your home is the biggest purchase you'll ever make, and the roof is the crowning touch. Choose Pinnacle® Pristine shingles with Scotchgard™ Protector by 3M™ to ensure your roof stays beautiful for years to come.

With more than 25 years of proven performance, Scotchgard™ Protector has been preserving the curb appeal of roofs across America. And because our shingles are approved by Mike Holmes, you can be sure you'll Roof it Right with Atlas Designer Shingles.

Backed by the Power of Scotchgard™

Scotchgard™ Protector by 3M™ is known for keeping everything from carpets to outdoor gear looking new longer. Atlas Shingles with Scotchgard™ Protector are the only shingles in the industry with a Limited Lifetime Warranty providing long-term protection against black streaks caused by blue-green algae.

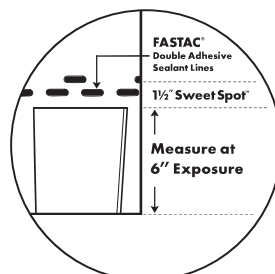


Bigger, Faster, Better

A bigger shingle means better protection, faster installation, and stunning curb appeal.

The high performance shingle design in HP42® shingles provides more coverage due to a wider and taller format, displaying a greater exposure of our designer shingles.

Pinnacle® shingles with HP42® technology feature the Sweet Spot™ nailing area and double FASTAC® sealant line, ensuring your shingles will stay put for a more secure seal and enhanced wind protection up to 130 mph.





Replacing Your Roof Is a Big Decision — Atlas Makes It Easy

With Atlas Pinnacle® Pristine shingles you get the total package – unmatched protection against harsh weather and high winds, distinctive curb appeal and long-lasting beauty, all backed by one of the industry’s best warranties.



Peace of Mind

Don't worry. We've got you covered with the Atlas Lifetime Limited Warranty***, ensuring your investment is protected for years to come.



Wind Protection

Let those winds howl. Because of our innovative HP42® shingle technology, your roof is shielded from wind gusts up to 130 mph.



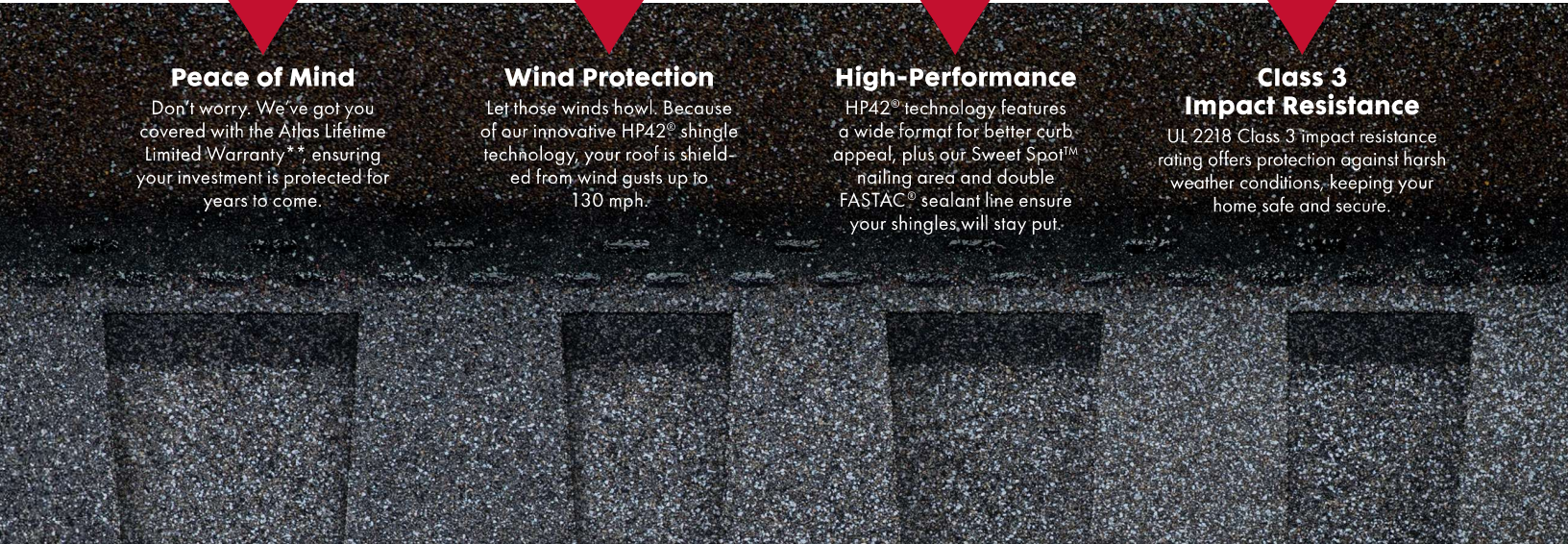
High-Performance

HP42® technology features a wide format for better curb appeal, plus our Sweet Spot™ nailing area and double FASTAC® sealant line ensure your shingles will stay put.



Class 3 Impact Resistance

UL 2218 Class 3 impact resistance rating offers protection against harsh weather conditions, keeping your home safe and secure.



To provide homeowners the most accurate representation of color options, several photo scans and house shots were utilized in numerous lighting conditions. Variations in lighting illustrate the color gradients on asphalt shingle roofs.

Color blends vary from shingle to shingle. Before installation, consult with your contractor and request to view the actual shingles being installed on your roof to ensure confidence in your final color selection.

Pinnacle® Pristine

High Performance Meets Lasting Beauty



Atlas Pinnacle® Pristine architectural shingles offer stunning color that lasts. With protection against damaging high winds and black streaks caused by algae, you're investing in a roofing system that has lasting curb appeal, and the peace of mind that comes with it.

Colors	Limited Warranty**	Algae Resistance*	Signature Select Eligible¹
16	Lifetime	Scotchgard™ Protector	Yes

Demand Peak Coverage

When you install an Atlas Signature Select® Roofing System¹, all the components are designed for and backed by the industry's best warranty coverage.

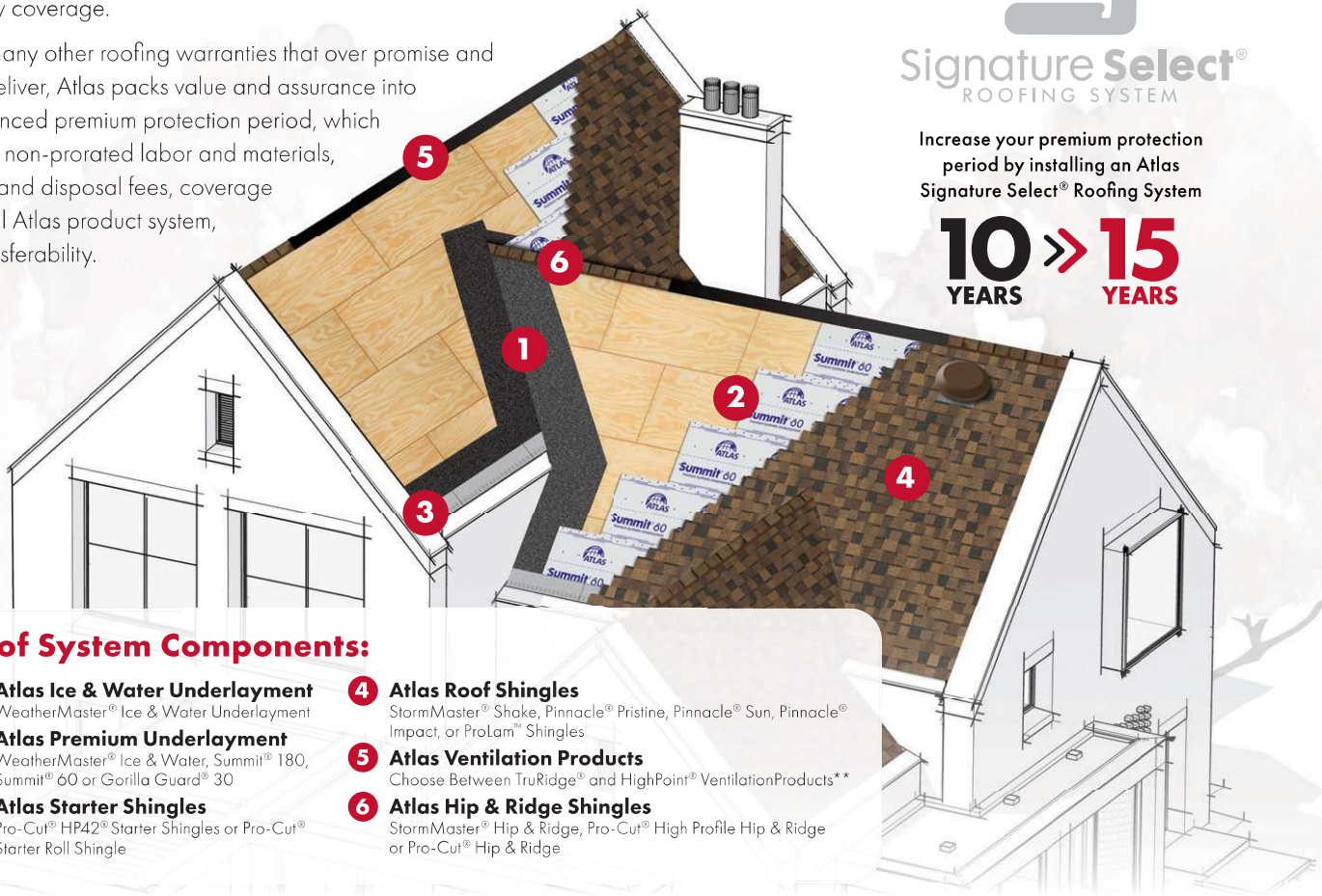
Unlike many other roofing warranties that over promise and under deliver, Atlas packs value and assurance into an enhanced premium protection period, which includes non-prorated labor and materials, tear-off and disposal fees, coverage of the full Atlas product system, and transferability.



Signature Select®
ROOFING SYSTEM

Increase your premium protection period by installing an Atlas Signature Select® Roofing System

10 > **15**
YEARS YEARS



Roof System Components:

- 1 Atlas Ice & Water Underlayment**
WeatherMaster® Ice & Water Underlayment
- 2 Atlas Premium Underlayment**
WeatherMaster® Ice & Water, Summit® 180, Summit® 60 or Gorilla Guard® 30
- 3 Atlas Starter Shingles**
Pro-Cut® HP42® Starter Shingles or Pro-Cut® Starter Roll Shingle
- 4 Atlas Roof Shingles**
StormMaster® Shake, Pinnacle® Pristine, Pinnacle® Sun, Pinnacle® Impact, or ProLam™ Shingles
- 5 Atlas Ventilation Products**
Choose Between TruRidge® and HighPoint® Ventilation Products**
- 6 Atlas Hip & Ridge Shingles**
StormMaster® Hip & Ridge, Pro-Cut® High Profile Hip & Ridge or Pro-Cut® Hip & Ridge

Choose The Atlas Shingle That's Right For You!



* In order to qualify for the Atlas Lifetime Algae Resistance Limited Warranty against black streaks caused by Scotchgard™ Protector.

** Refer to the Atlas Roofing Limited Shingle Warranty for all coverage requirements.

*** Warning: For proper ventilation and performance, **do not mix multiple types of exhaust vents to vent the same attic space.**

The picture is for illustration purposes only. A valid system warranty will cover only one type of exhaust vent per attic area.

¹ Refer to the Atlas Signature Select® Limited Warranty for all system coverage requirements.

Scotchgard™ and the Scotchgard™ Protector logo, including the Plaid design and 3M™ logo, are all trademarks of 3M™.



#AtlasProtects
AtlasRoofing.com

