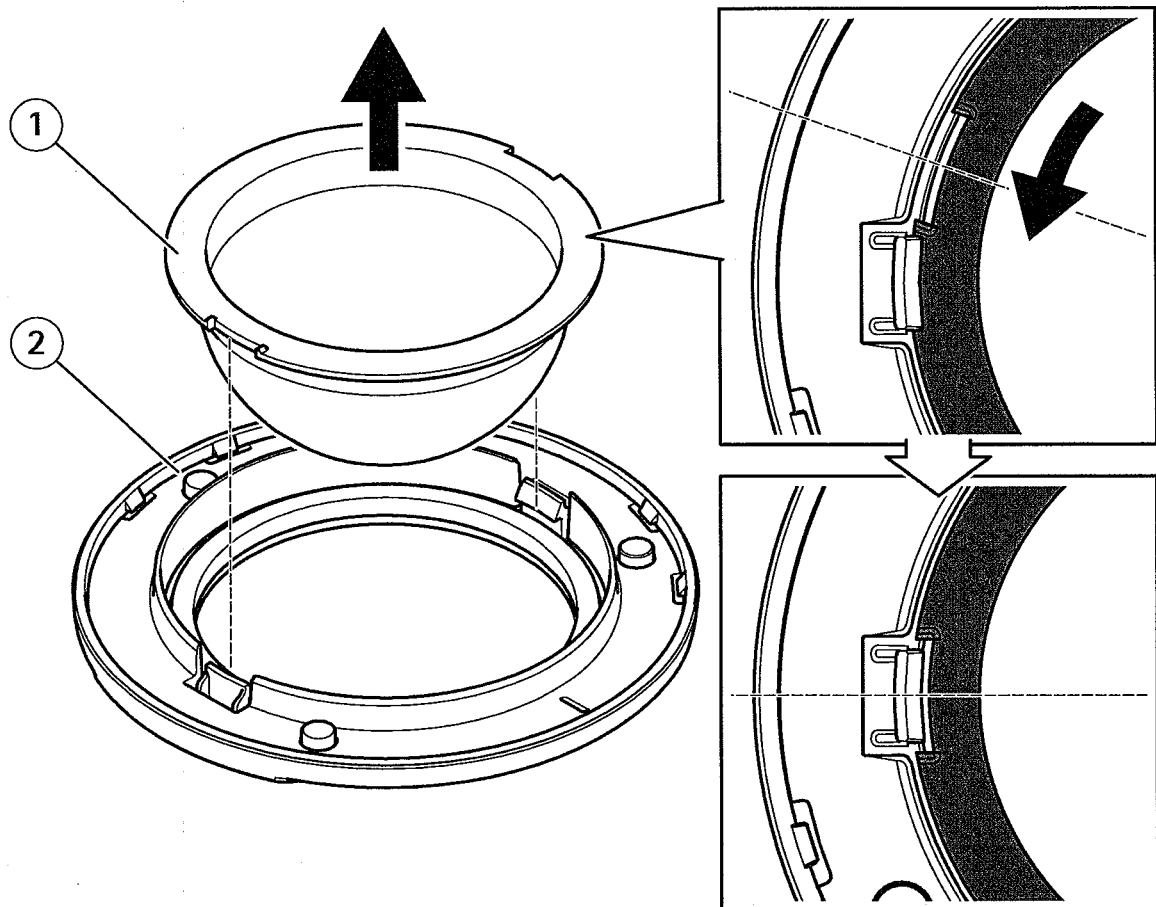


AXIS M30 Network Camera Series

How to repaint the product

How to repaint the product

Disassembly



- 1 Dome
- 2 Cover top

1. Remove the cover top from the camera unit.
2. Press and turn the dome until it releases from the cover top.

Preparations

- The equipment must be disassembled according to instructions on *page 3*.
- Each part should be stripped from components and crucial parts masked to ensure successful reassembly.
- All parts to be repainted should be stripped of gaskets, screws, electrical components, connectors and plugs, windows and domes.
- All parts to be repainted must be thoroughly cleaned to remove grease, dust or oil.

AXIS M30 Network Camera Series

How to repaint the product

- To ensure reassembly and functionality of the product, openings for screws, LED indicators, or microphones must be masked before painting.

Pretreatment of parts

Depending on the part material and type of paint applied at factory, different pretreatments should be done for the new paint to adhere as well as possible. For all variants though, proper cleaning to remove oil, grease and dust is strongly recommended.

For more information on the materials used in the product, see its datasheet at www.axis.com

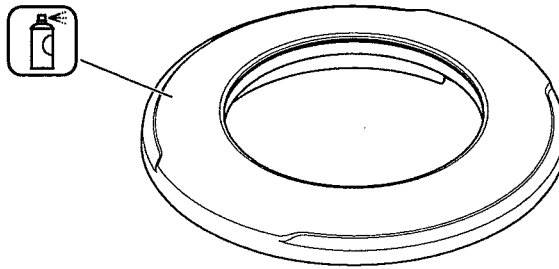
Powder coated parts – Using fine sandpaper, remove the original powder coating down to the stainless steel surface and clean the parts before painting, or use a primer.

Anodised and chromated parts – Use a primer.

Uncoated stainless steel – No special pretreatment is needed, but make sure that the surface is clean before painting.

Plastic – Use a primer.

Repainting



1. Make sure all necessary preparations of the cover top have been made, see *Preparations on page 3*.

Note

Avoid getting paint on the magnets inside the cover top.

2. Apply a thin and even layer of spray paint according to the instructions of the paint manufacturer.
3. Let the paint dry.
4. To get a better coverage and clearer color, apply a second layer of spray paint.
5. When the paint is dry, reassemble the product.

Reassembly

1. Snap the dome and the cover top together.
2. Reattach the cover top to the camera unit.