

[← Marvin Signature® Ultimate](#)

Ultimate French Casement Windows

The Ultimate French Casement window cranks open from the center like a French door, with no center vertical post to block the scenery, and an outswing motion that helps save space indoors.

- Extruded aluminum exterior and wood interior
- Fits openings up to 6 feet wide by 7 feet high
- Pairs classic architectural beauty with today's performance and energy efficiency
- Crank-out operation offers control over the angle of the open window
- Also available in round top shapes as a custom order

Find Marvin products in your area and request a price quote. Connect with a dealer near you to get started.

[FIND A DEALER](#)

WHY YOU'LL LOVE IT



Designed for Performance + Quality

Exterior is made with extruded aluminum for proven strength and versatility.



Expansive Views

Available in widths up to 6 feet and heights up to 7 feet.



Sticking Options

Ogee and Ovolo sticking has a more traditional profile and square sticking has a more contemporary look.



ADDITIONAL FEATURES:

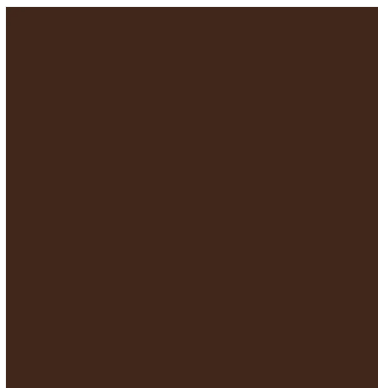
- Pushes the limits of what windows and doors can do.
- Standard finish on extruded aluminum is commercial-grade and warranted for 20 years, ensuring a smooth, beautiful finish that lasts.
- Choose from a selection of high-quality interior standard wood options, including Pine, Cherry, Douglas Fir, Mahogany, White Oak, Vertical Grain Douglas Fir, and Black Walnut.
- Durable hardware allows individual sashes to open easily.
- Multi-point locking system ensures a tight seal and security from top to bottom.

DESIGN OPTIONS

Exterior Finish

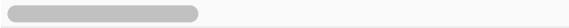


Clad Color Options



Bahama Brown

A high-quality window deserves a dependable finish. Our low maintenance clad-wood products feature an extruded aluminum exterior finished in commercial-grade paint for superior resistance to fading and chalking. Our palette of nineteen color options spans from muted, earthy tones to bold, rich colors and three pearlescent finishes. Custom color matching is also available to meet any design vision.

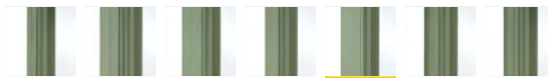


**Custom Colors: Any color. Any window or door. You name it. No matter what your inspiration for a custom window or door color, Marvin will match it. You get any color your heart desires, with your own personal custom color name and a 20-year warranty. See your Marvin dealer for details and ask about special pricing.*

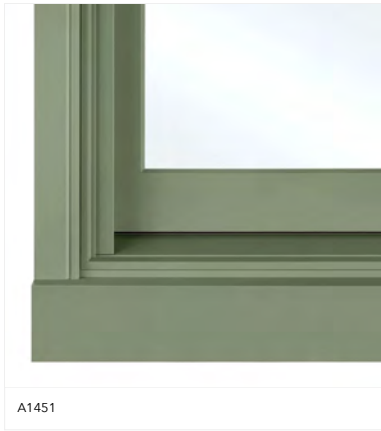
Interior Finish	+
Sticking Options	+
Hardware	+
Glass	+
Screens	+
Divided Lites	+
Casings	-



An instant boost to curb appeal, optional exterior casing adds architectural detail and character to the profile of your home. Factory-applied casing saves time on the job-site, with beauty and durability that lasts. Exterior casings, optional at the time of order, are available in extruded aluminum and are factory-finished with with the same AMMA 2605 finish and paint as the clad exterior for a perfect match.



Subsills



A1451

Choose from six extruded aluminum subsill options to best match your sill thickness and depth with your casing and window style. Custom clad subsills ideal for historical matching are also available.



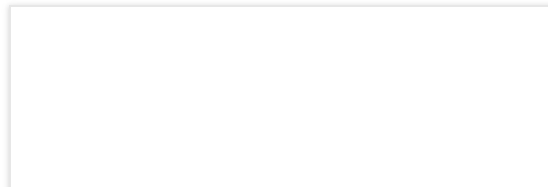
**Due to the variety of possible combinations of casings and subsills, special dimensional considerations for installation methods are required. Contact your local Marvin retailer when specifying casing and subsill combinations.*



GET THE ULTIMATE CATALOG

Get detailed information on the Ultimate product line including types of windows and doors, color and finish options, sizing, hardware, and other key details.

DOWNLOAD NOW



FRENCH CASEMENT / FRENCH CASEMENT PUSH OUT

MO (mm)	3 - 0 1/2 (927)	3 - 4 1/2 (1029)	4 - 0 1/2 (1232)	4 - 8 1/2 (1435)	5 - 0 1/2 (1537)
RO (mm)	3 - 1 (940)	3 - 5 (1041)	4 - 1 (1245)	4 - 9 (1448)	5 - 1 (1549)
FS (mm)	3 - 0 (914)	3 - 4 (1016)	4 - 0 (1219)	4 - 8 (1422)	5 - 0 (1524)
DLO (mm)	1 - 0 55/64 (327)	1 - 2 55/64 (378)	1 - 6 55/64 (479)	1 - 10 55/64 (581)	12 - 0 55/64 (632)
2 - 7 3/8 (797) 2 - 7 5/8 (803) 2 - 7 1/8 (791) 2 - 2 9/32 (688)	 UFCAP03632	 UFCA4032 UFCAP04032	 UFCA4832 E UFCAP04832 E	 UFCA5632 E UFCAP05632 E	 UFCA6032 E UFCAP06032 E
2 - 11 3/8 (899) 2 - 11 5/8 (905) 2 - 11 1/8 (892) 2 - 6 9/32 (769)	 UFCAP03636	 UFCA4036 UFCAP04036	 UFCA4836 E UFCAP04836 E	 UFCA5636 E UFCAP05636 E	 UFCA6036 E UFCAP06036 E
3 - 3 3/8 (1000) 3 - 3 5/8 (1006) 3 - 3 1/8 (994) 2 - 10 9/32 (871)	 UFCAP03640	 UFCA4040 E UFCAP04040 E	 UFCA4840 E UFCAP04840 E	 UFCA5640 E UFCAP05640 E	 UFCA6040 E UFCAP06040 E
3 - 7 3/8 (1102) 3 - 7 5/8 (1108) 3 - 7 1/8 (1096) 3 - 2 9/32 (972)	 UFCAP03644	 UFCA4044 E UFCAP04044 E	 UFCA4844 E UFCAP04844 E	 UFCA5644 E UFCAP05644 E	 UFCA6044 E UFCAP06044 E
3 - 11 3/8 (1203) 3 - 11 5/8 (1210) 3 - 11 1/8 (1197) 3 - 6 9/32 (1074)	 UFCAP03648 E	 UFCA4048 E UFCAP04048 E	 UFCA4848 E UFCAP04848 E	 UFCA5648 E UFCAP05648 E	 UFCA6048 E UFCAP06048 E
4 - 5 3/8 (1356) 4 - 5 5/8 (1362) 4 - 5 1/8 (1349) 4 - 0 9/32 (1226)	 UFCAP03654 E	 UFCA4054 E UFCAP04054 E	 UFCA4854 E UFCAP04854 E	 UFCA5654 E UFCAP05654 E	 UFCA6054 E UFCAP06054 E

FRENCH CASEMENT / FRENCH CASEMENT PUSH OUT

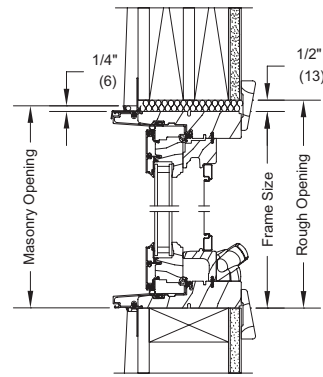
MO (mm)	3 - 0 1/2 (927)	3 - 4 1/2 (1029)	4 - 0 1/2 (1232)	4 - 8 1/2 (1435)	5 - 0 1/2 (1537)
RO (mm)	3 - 1 (940)	3 - 5 (1041)	4 - 1 (1245)	4 - 9 (1448)	5 - 1 (1549)
FS (mm)	3 - 0 (914)	3 - 4 (1016)	4 - 0 (1219)	4 - 8 (1422)	5 - 0 (1524)
DLO (mm)	1 - 0 55/64 (327)	1 - 2 55/64 (378)	1 - 6 55/64 (479)	1 - 10 55/64 (581)	12 - 0 55/64 (632)
4 - 7 3/8 (1407) 4 - 7 5/8 (1413) 4 - 7 1/8 (1400) 4 - 2 9/32 (1277)	 UFCAP03656 E	 UFCA4056 E UFCAP04056 E	 UFCA4856 E UFCAP04856 E	 UFCA5656 E UFCAP05656 E	 UFCA6056 E UFCAP06056 E
4 - 11 3/8 (1508) 4 - 11 5/8 (1514) 4 - 11 1/8 (1502) 4 - 6 9/32 (1379)	 UFCAP03660 E	 UFCA4060 E UFCAP04060 E	 UFCA4860 E UFCAP04860 E	 UFCA5660 E UFCAP05660 E	 UFCA6060 E UFCAP06060 E
5 - 3 3/8 (1610) 5 - 3 5/8 (1616) 5 - 3 1/8 (1603) 4 - 10 9/32 (1480)	 UFCAP03664 E	 UFCA4064 E UFCAP04064 E	 UFCA4864 E UFCAP04864 E	 UFCA5664 E UFCAP05664 E	 UFCA6064 E UFCAP06064 E
5 - 11 3/8 (1813) 5 - 11 5/8 (1819) 5 - 11 1/8 (1807) 5 - 6 9/32 (1684)	 UFCAP03672 ET	 UFCA4072 ET UFCAP04072 ET	 UFCA4872 ET UFCAP04872 ET	 UFCA5672 ET UFCAP05672 ET	 UFCA6072 ET UFCAP06072 ET

Details and Elevations not to scale.
 E These windows meet national Egress codes for fire evacuation.
 Local codes may differ.
 T For safety and/or code requirements, Marvin recommends tempered glass in all units with a frame size height of 72 1/16" or larger and units with a frame size of 25.2 ft² and larger.
 Please consult your local Marvin representative for more information.
 For further details and drawings visit the 'Technical Specifications' section at Marvin.com.

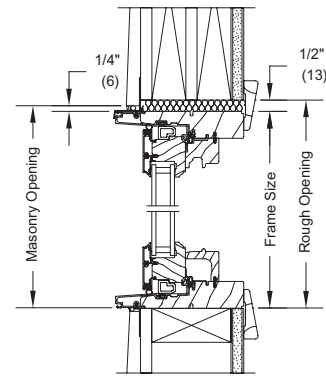
Ultimate French Casement: UFCA
 Ultimate French Casement Push Out: UFCAP0

FRENCH CASEMENT

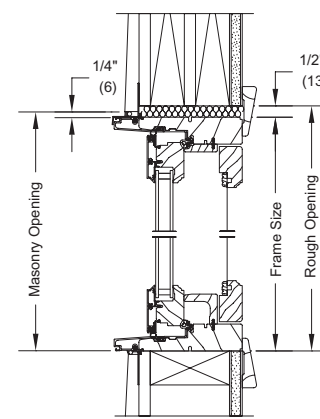
CONSTRUCTION DETAILS



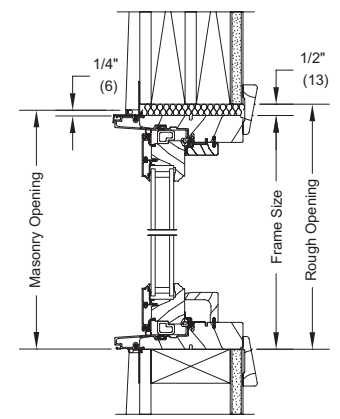
HEAD JAMB AND SILL - OPERATOR



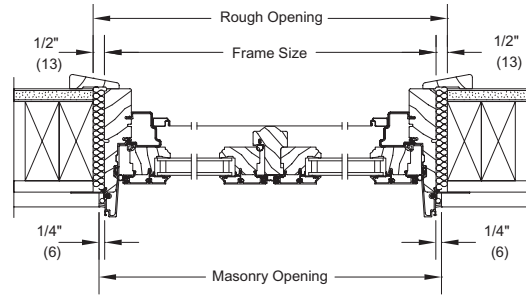
HEAD JAMB AND SILL - STATIONARY



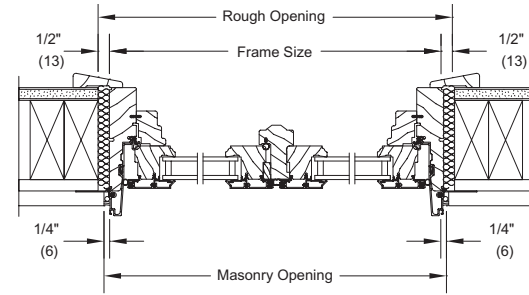
HEAD JAMB AND SILL - OPERATOR WITH WOOD SCREEN OPTION



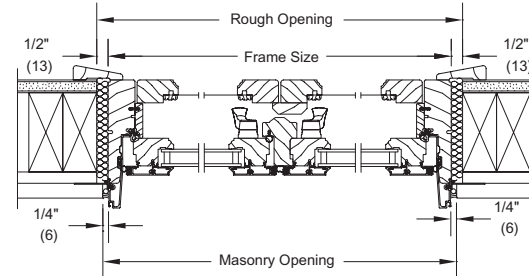
HEAD JAMB AND SILL - STATIONARY



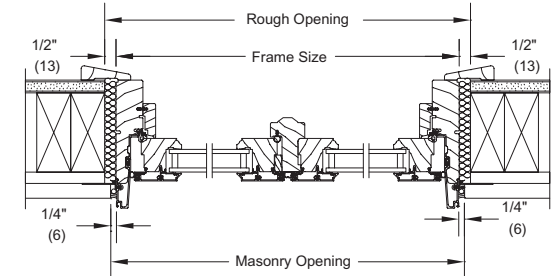
JAMB - OPERATOR



JAMB - STATIONARY



JAMB - STATIONARY WITH WOOD SCREEN OPTION



JAMB - STATIONARY