

Optional high pressure clip for structural performance available

## DESIGN WALL™

SKU: DSF, DSH, DSV, DWF, DWH

### MATERIAL

.032, .040, .050 aluminum

24, 22\*, 20\* ga. metallic coated steel

24, 22\* ga. 55% Al-Zn alloy coated steel with acrylic coating

.8, 1.0 mm zinc\* (W series only)

16, 20 oz. copper \*

### PANEL SPECS

Coverage: 12" (stiffening ribs standard for DWF, DSF, DWH, & DSH, specify without ribs)

Minimum Length: 3'-0"

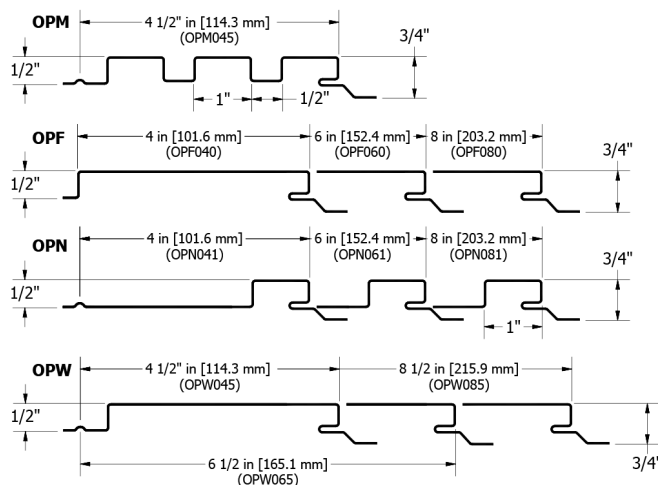
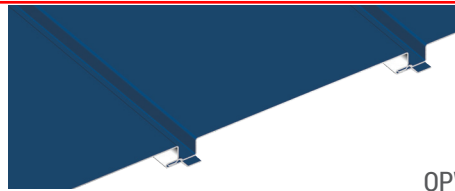
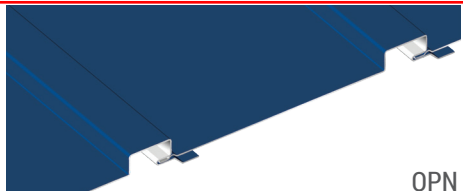
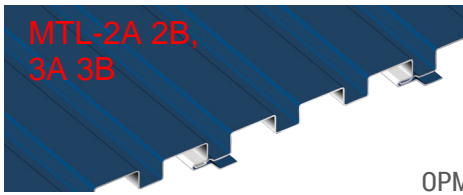
Maximum Length: 26'-0" (DSV only)

Depth: 1 3/4", 1 1/8"

### TEXTURE

Smooth, Stucco Embossed, or Wood Grain Embossed (DWF, DWH, and DSV only, 24 ga. metallic coated steel, .032 & .040 aluminum only)

[www.atas.com/designwall](http://www.atas.com/designwall)



## OPALINE™

SKU: OPM, OPF, OPN, OPW

### MATERIAL

.032 aluminum

.040 aluminum (OPF, OPN, OPW only)

24 ga. metallic coated steel

16, 20 oz. copper\*

### PANEL SPECS

Coverage:

OPF: 4", 6", 8"

OPM: 4 1/2"

OPN: 4", 6", 8"

OPW: 4 1/2", 6 1/2", 8 1/2"

Minimum Length: 1'-6"

Depth: 3/4"

### TEXTURE

Smooth, Stucco Embossed, or Wood Grain Embossed (24 ga. metallic coated steel, .032 aluminum & .040 aluminum only)

[www.atas.com/opaline](http://www.atas.com/opaline)