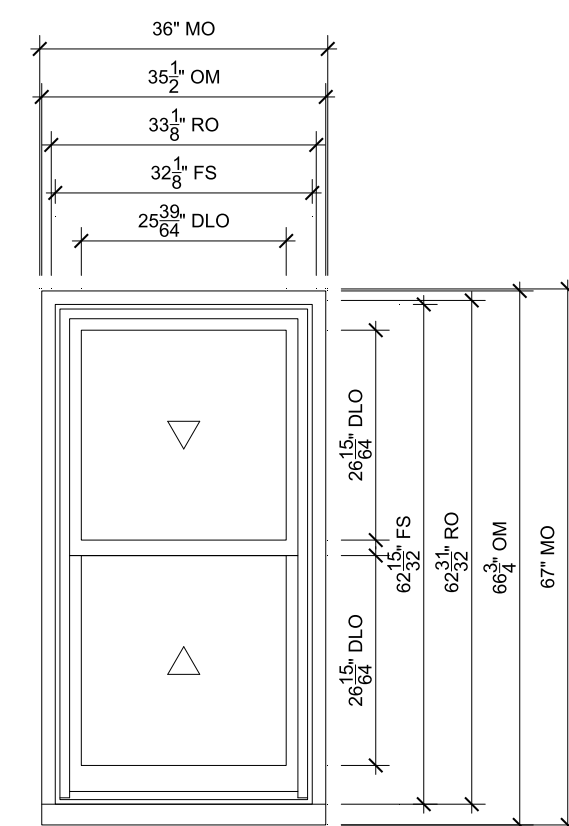
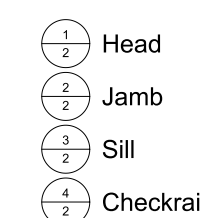


ORDERING PRODUCTS WITH REFERENCE TO SHOP DRAWINGS:
 Before ordering the Marvin Window and Door products illustrated within these shop drawings, a copy of these drawings accompanied by an approved signature of the purchaser must be returned to the Architectural Department at Marvin Windows & Doors, P.O. Box 100, Grand Rapids, Michigan 49503. The purchaser must also return a copy of these drawings to the approved shop drawings. Marvin Windows and Doors assumes no responsibility in guaranteeing product coordination with the drawings.

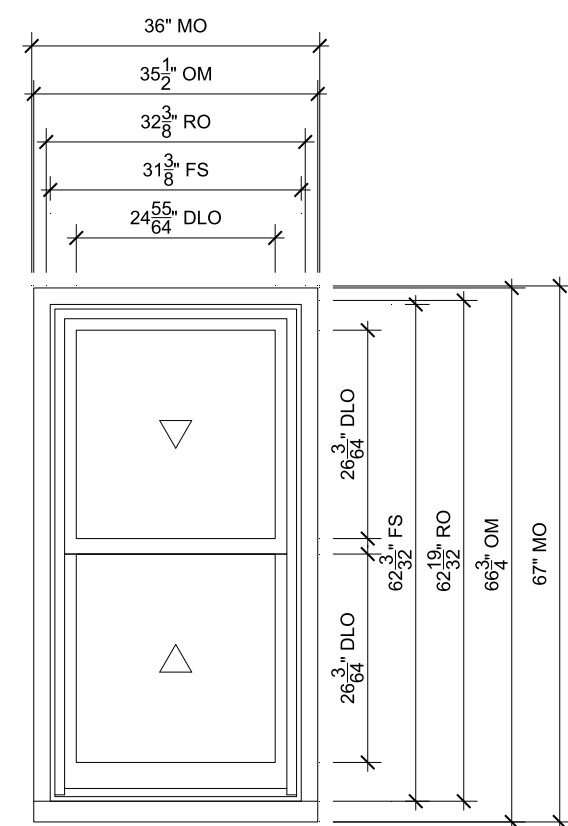


001 THORTON CASING
 SCALE: 1/2" = 1'-0"

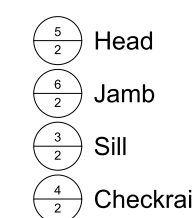


SPECIFICATIONS

Line #: 1
 Qty: 1
 Mark Unit: 001 Thorton Casing
 Product Line: Ultimate
 Unit Description: Double Hung G2
 Rough Opening: 33 1/8" X 62 31/32"
 Frame Size: 32 1/8" X 62 15/32"
 Masonry Opening: 36" X 67"
 Sash Opening: 33 1/8" X 62 31/32"
 Inside Opening: 33 1/8" X 62 31/32"
 Exterior Finish: Liberty Bronze
 Species: Pine
 Interior Finish: Painted Interior Finish - White
 Unit Type: Double Hung G2
 Call Number: None
 Glass Information: IG, Low E3 w/Argon, Black
 Divider Type: None
 Hardware Type: Non-Tilt Custodial Sash Lock, Lift Type : None, No Finger Pull, Sash Limiter - 4" Net Clear Opening
 Screen Type: Extruded Aluminum Screen
 Hardware Color: Matte Black
 Screen Surround Color: Liberty Bronze
 Screen Mesh Type: Bright View Mesh
 Jamb Depth: 4 9/16"
 Exterior Casing: Thorton A1443 Clad Casing, Liberty Bronze, Casing with Sub sill
 Sub sill: A1452 Sub sill, Liberty Bronze

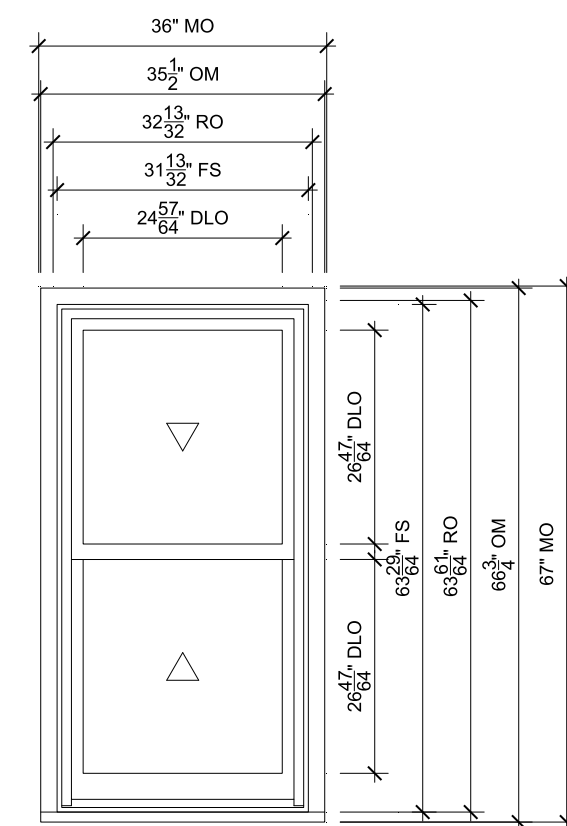


002 STRATTON CASING
 SCALE: 1/2" = 1'-0"

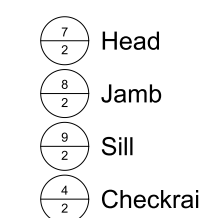


SPECIFICATIONS

Line #: 2
 Qty: 1
 Mark Unit: 002 Stratton Casing
 Product Line: Ultimate
 Unit Description: Double Hung G2
 Rough Opening: 32 3/8" X 62 19/32"
 Frame Size: 31 3/8" X 62 3/32"
 Masonry Opening: 36" X 67"
 Sash Opening: 32 3/8" X 62 19/32"
 Inside Opening: 32 3/8" X 62 19/32"
 Exterior Finish: Liberty Bronze
 Species: Pine
 Interior Finish: Painted Interior Finish - White
 Unit Type: Double Hung G2
 Call Number: None
 Glass Information: IG, Low E3 w/Argon, Black
 Divider Type: None
 Hardware Type: Non-Tilt Custodial Sash Lock, Lift Type : None, No Finger Pull, Sash Limiter - 4" Net Clear Opening
 Screen Type: Extruded Aluminum Screen
 Hardware Color: Matte Black
 Screen Surround Color: Liberty Bronze
 Screen Mesh Type: Bright View Mesh
 Jamb Depth: 4 9/16"
 Exterior Casing: Stratton A1449 Clad Casing, Liberty Bronze, Casing with Sub sill
 Sub sill: A1452 Sub sill, Liberty Bronze

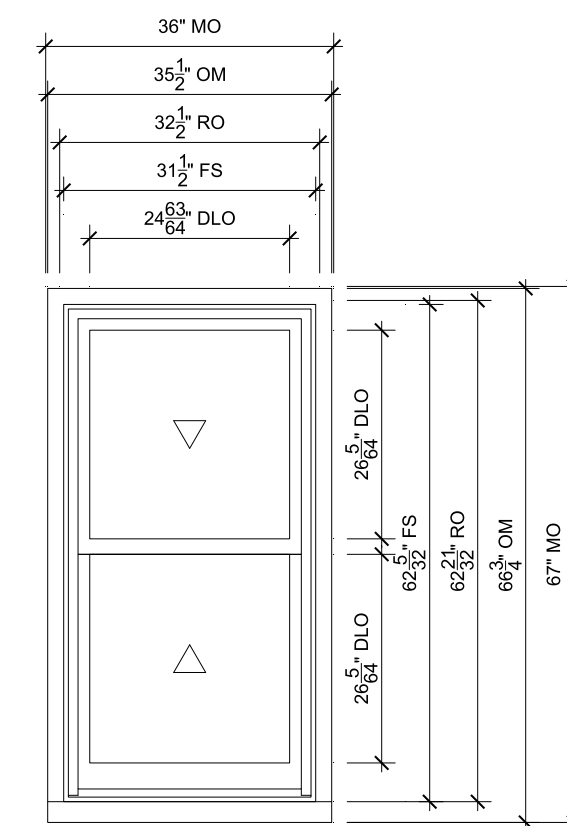


003 RIDGELAND CASING
 SCALE: 1/2" = 1'-0"

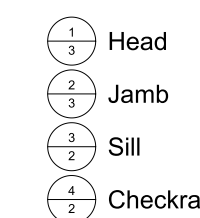


SPECIFICATIONS

Line #: 3
 Qty: 1
 Mark Unit: 003 Ridgeland Casing
 Product Line: Ultimate
 Unit Description: Double Hung G2
 Rough Opening: 32 13/32" X 63 61/64"
 Frame Size: 31 13/32" X 63 29/64"
 Masonry Opening: 36" X 67"
 Sash Opening: 32 13/32" X 63 61/64"
 Inside Opening: 32 13/32" X 63 61/64"
 Exterior Finish: Liberty Bronze
 Species: Pine
 Interior Finish: Painted Interior Finish - White
 Unit Type: Double Hung G2
 Call Number: None
 Glass Information: IG, Low E3 w/Argon, Black
 Divider Type: None
 Hardware Type: Non-Tilt Custodial Sash Lock, Lift Type : None, No Finger Pull, Sash Limiter - 4" Net Clear Opening
 Screen Type: Extruded Aluminum Screen
 Hardware Color: Matte Black
 Screen Surround Color: Liberty Bronze
 Screen Mesh Type: Bright View Mesh
 Jamb Depth: 4 9/16"
 Exterior Casing: Ridgeland A1446 Clad Casing, Liberty Bronze, Casing with Sub sill
 Sub sill: A1453 Sub sill, Liberty Bronze

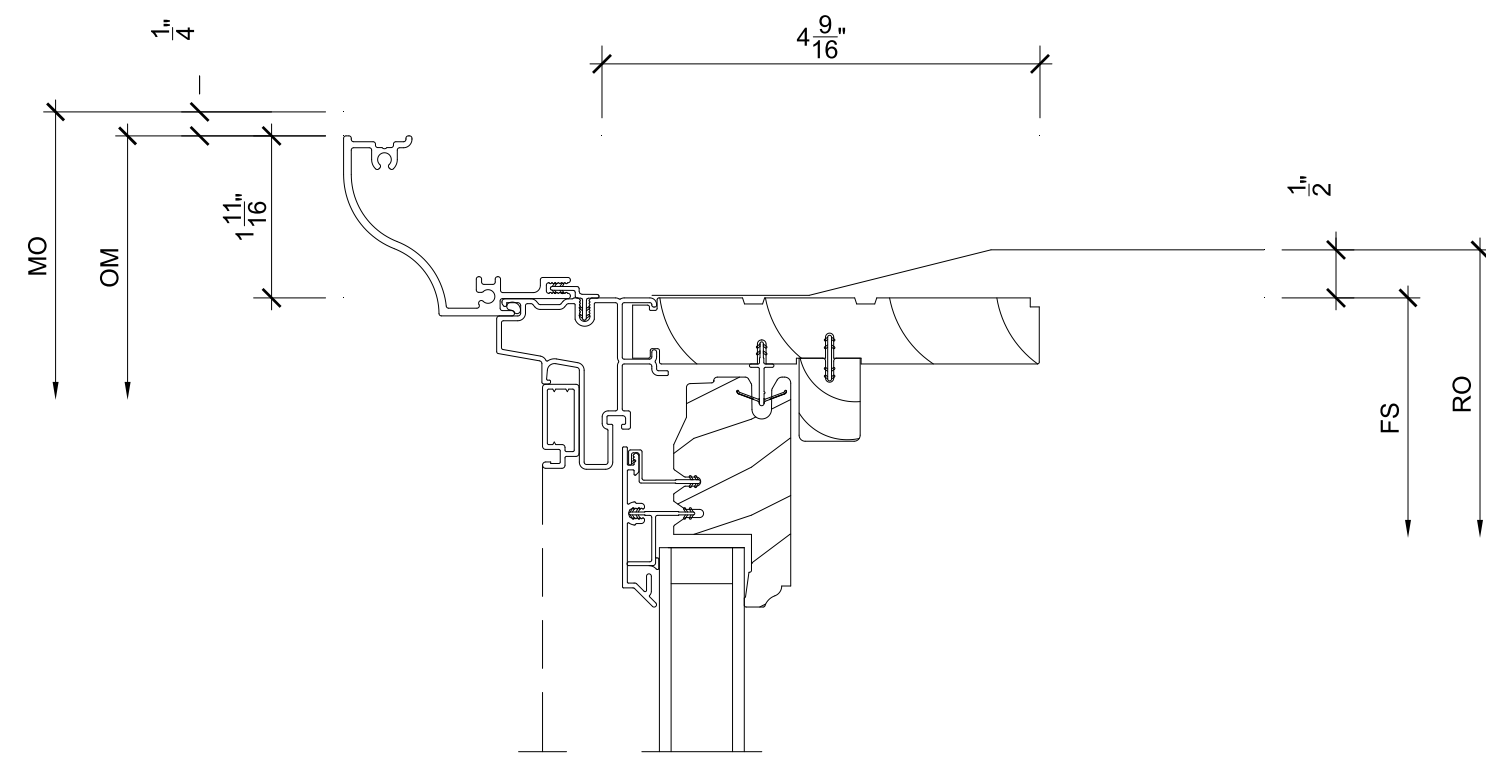


004 GRAYSON CASING
 SCALE: 1/2" = 1'-0"



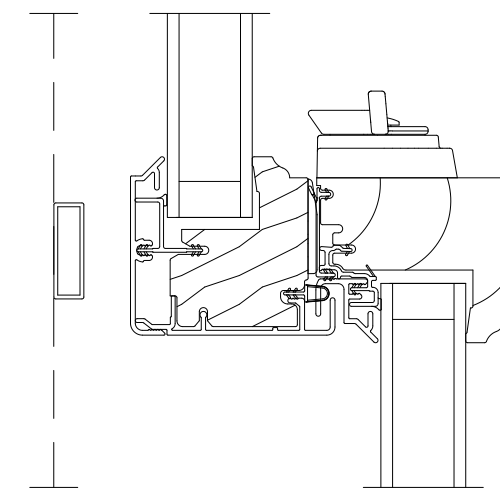
SPECIFICATIONS

Line #: 4
 Qty: 1
 Mark Unit: 004 Grayson Casing
 Product Line: Ultimate
 Unit Description: Double Hung G2
 Rough Opening: 32 1/2" X 62 21/32"
 Frame Size: 31 1/2" X 62 5/32"
 Masonry Opening: 36" X 67"
 Sash Opening: 32 1/2" X 62 21/32"
 Inside Opening: 32 1/2" X 62 21/32"
 Exterior Finish: Liberty Bronze
 Species: Pine
 Interior Finish: Painted Interior Finish - White
 Unit Type: Double Hung G2
 Call Number: None
 Glass Information: IG, Low E3 w/Argon, Black
 Divider Type: None
 Hardware Type: Non-Tilt Custodial Sash Lock, Lift Type : None, No Finger Pull, Sash Limiter - 4" Net Clear Opening
 Screen Type: Extruded Aluminum Screen
 Hardware Color: Matte Black
 Screen Surround Color: Liberty Bronze
 Screen Mesh Type: Bright View Mesh
 Jamb Depth: 4 9/16"
 Exterior Casing: Grayson A1442 Clad Casing, Liberty Bronze, Casing with Sub sill
 Sub sill: A1452 Sub sill, Liberty Bronze



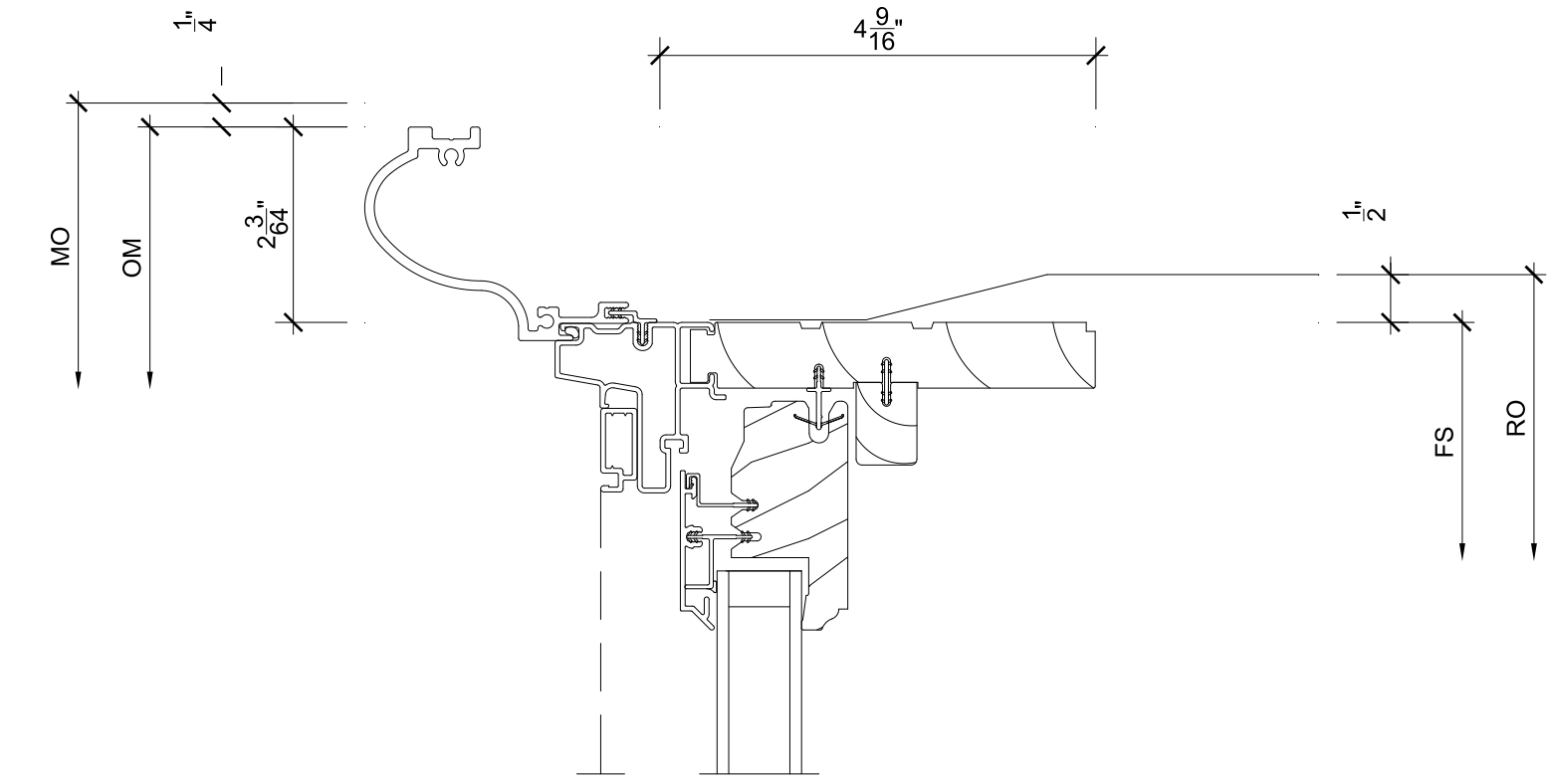
1
2 Head

SCALE: 6" = 1'-0"



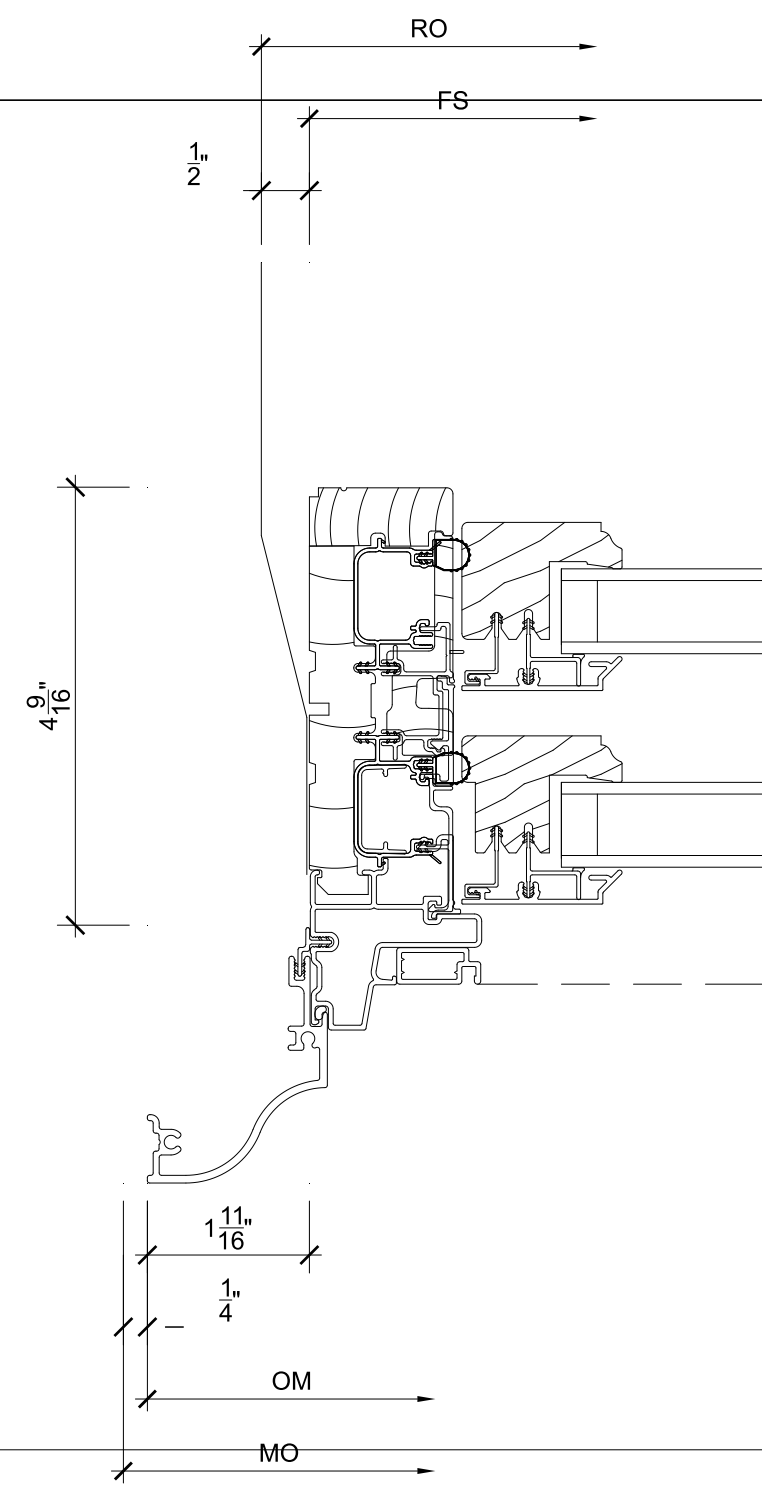
4
2 Checkrail

SCALE: 6" = 1'-0"



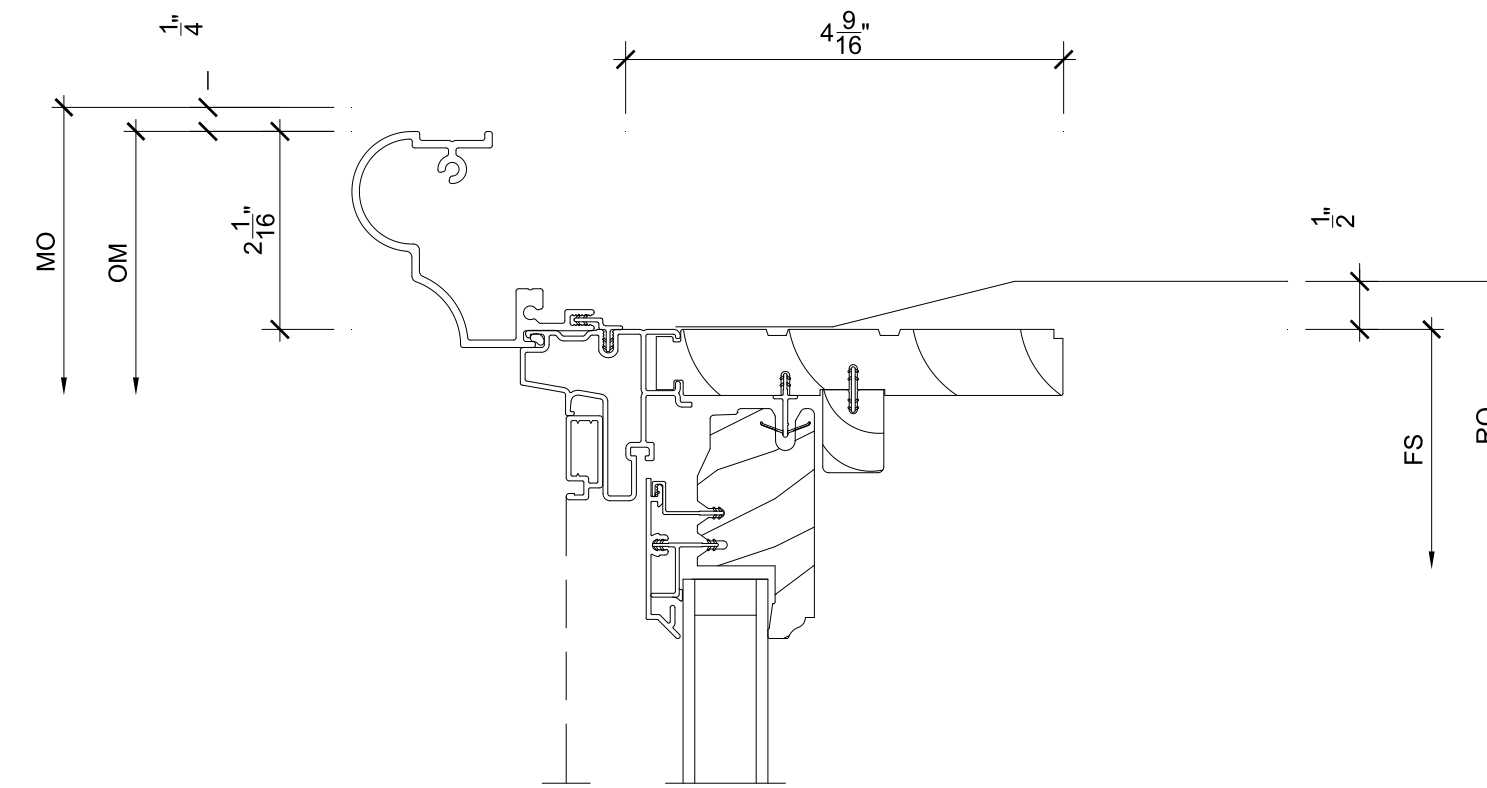
7
2 Head

SCALE: 6" = 1'-0"



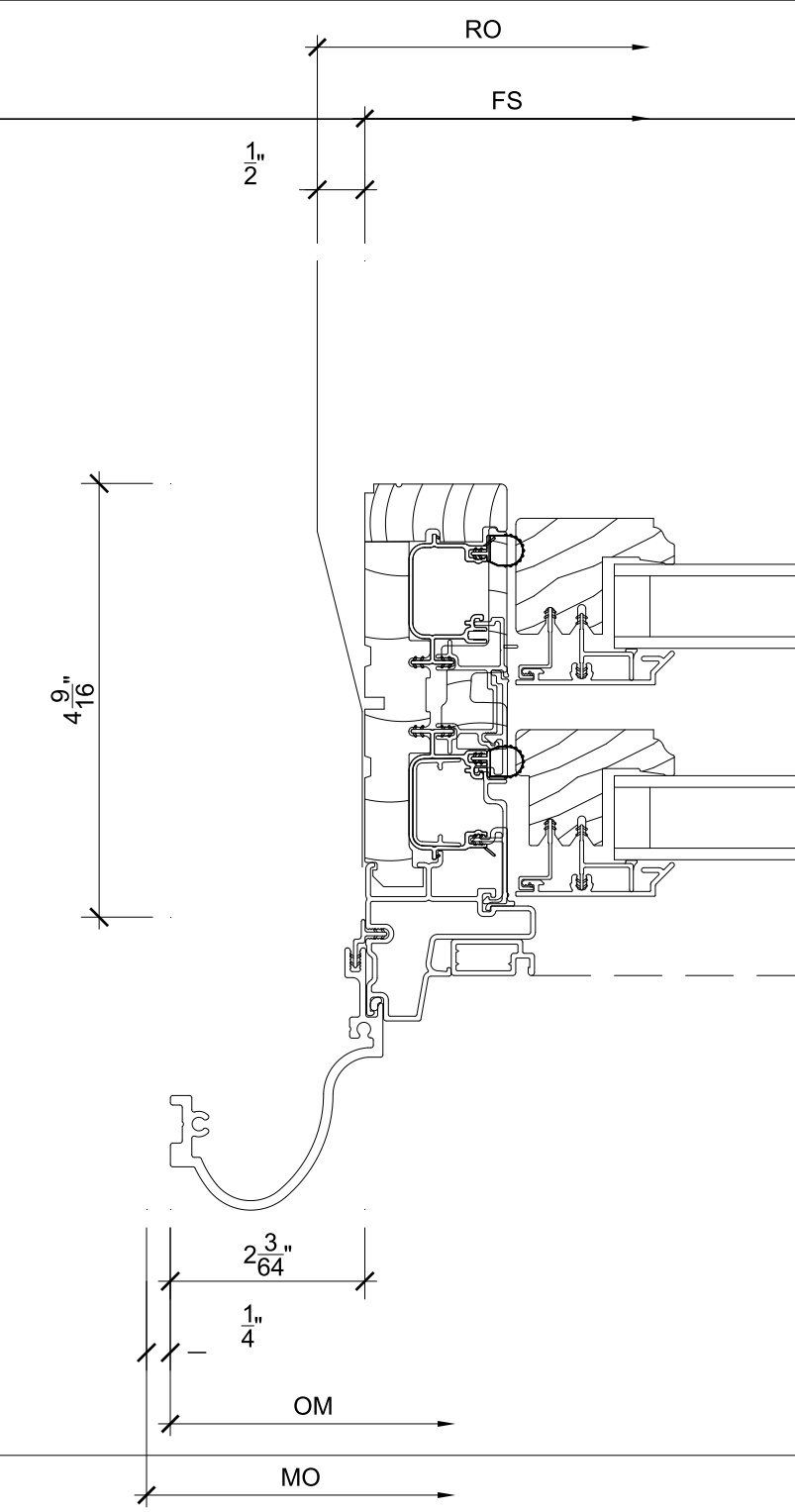
2
2 Jamb

SCALE: 6" = 1'-0"



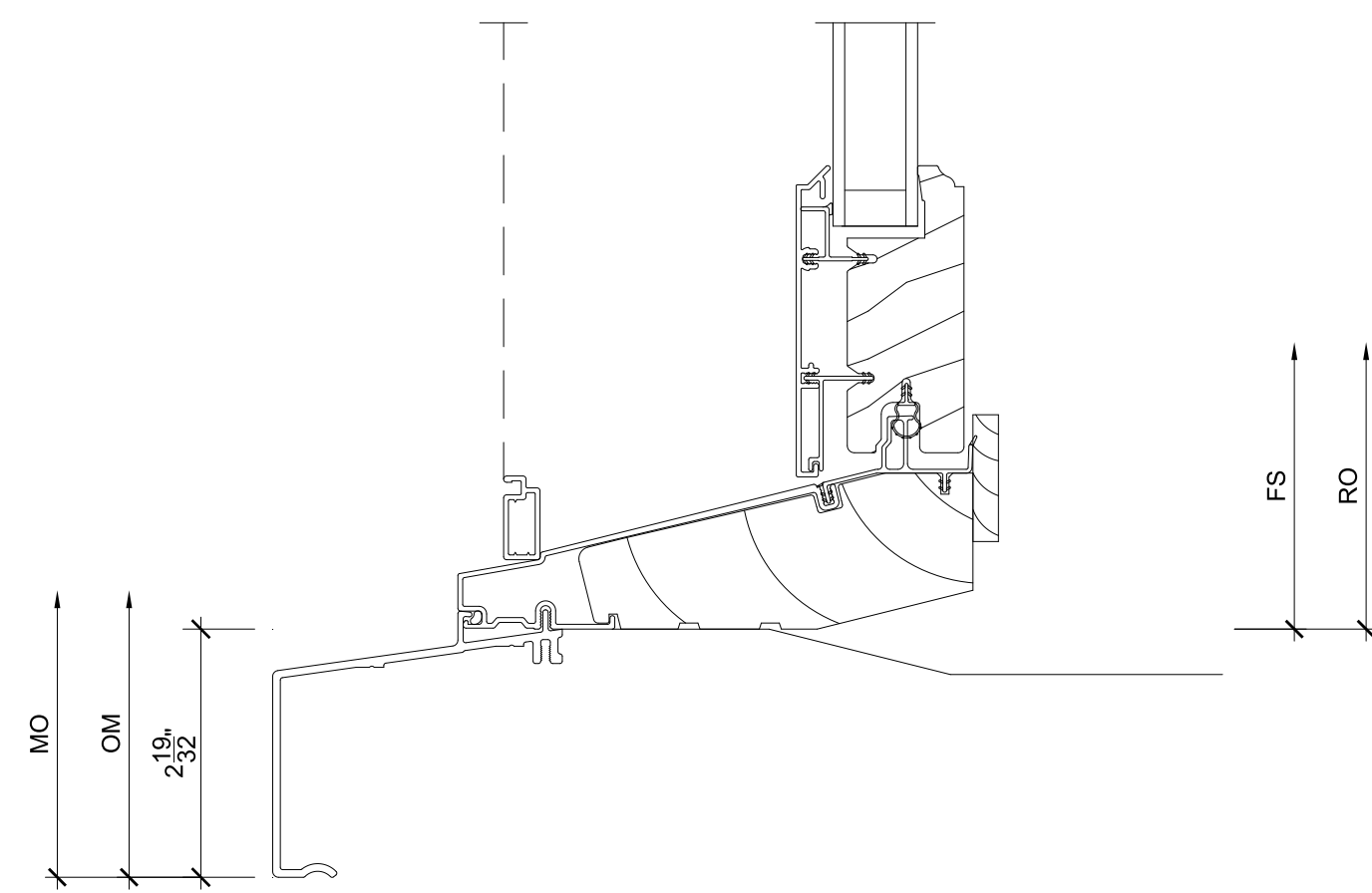
5
2 Head

SCALE: 6" = 1'-0"



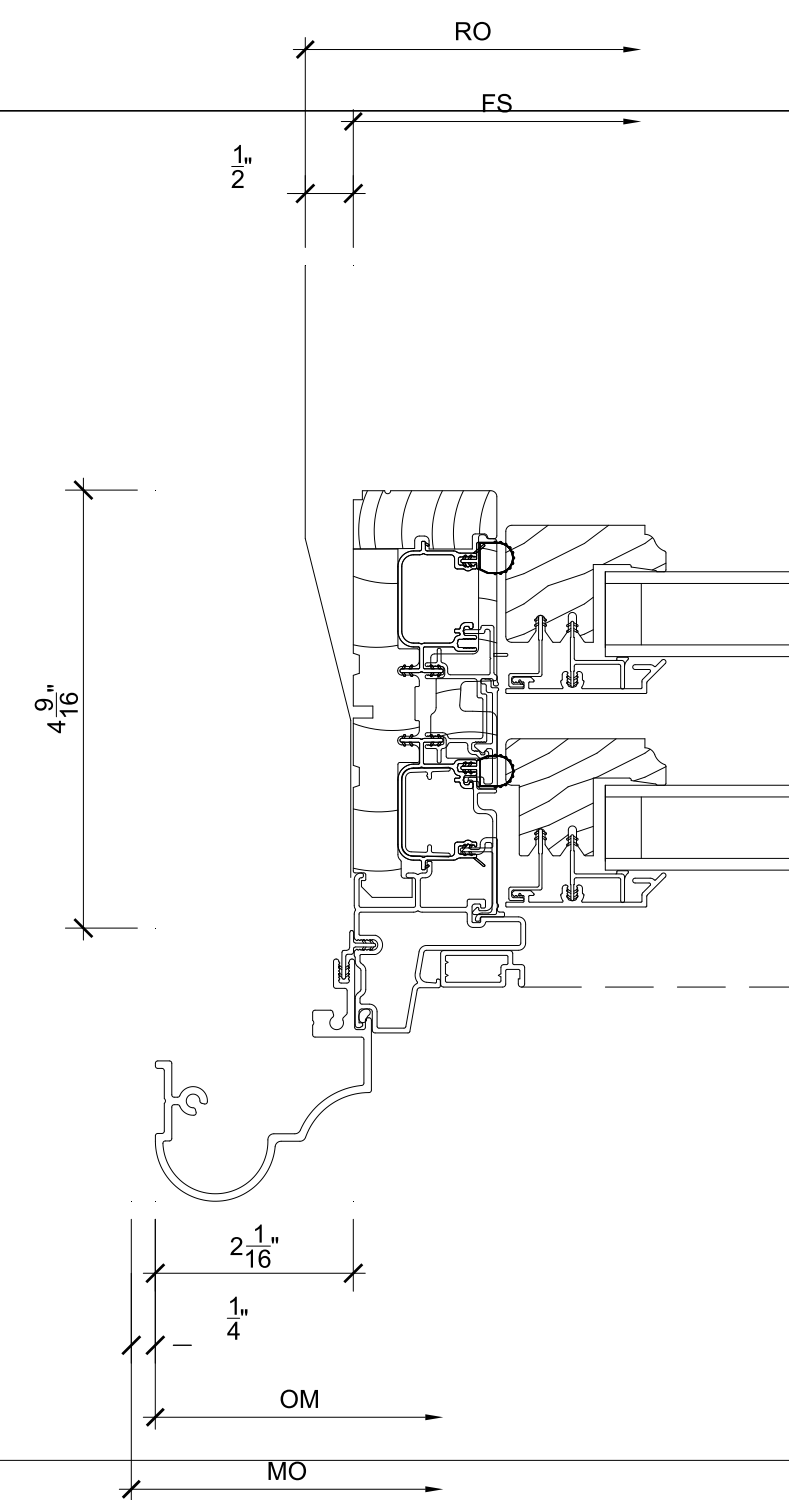
8
2 Jamb

SCALE: 6" = 1'-0"



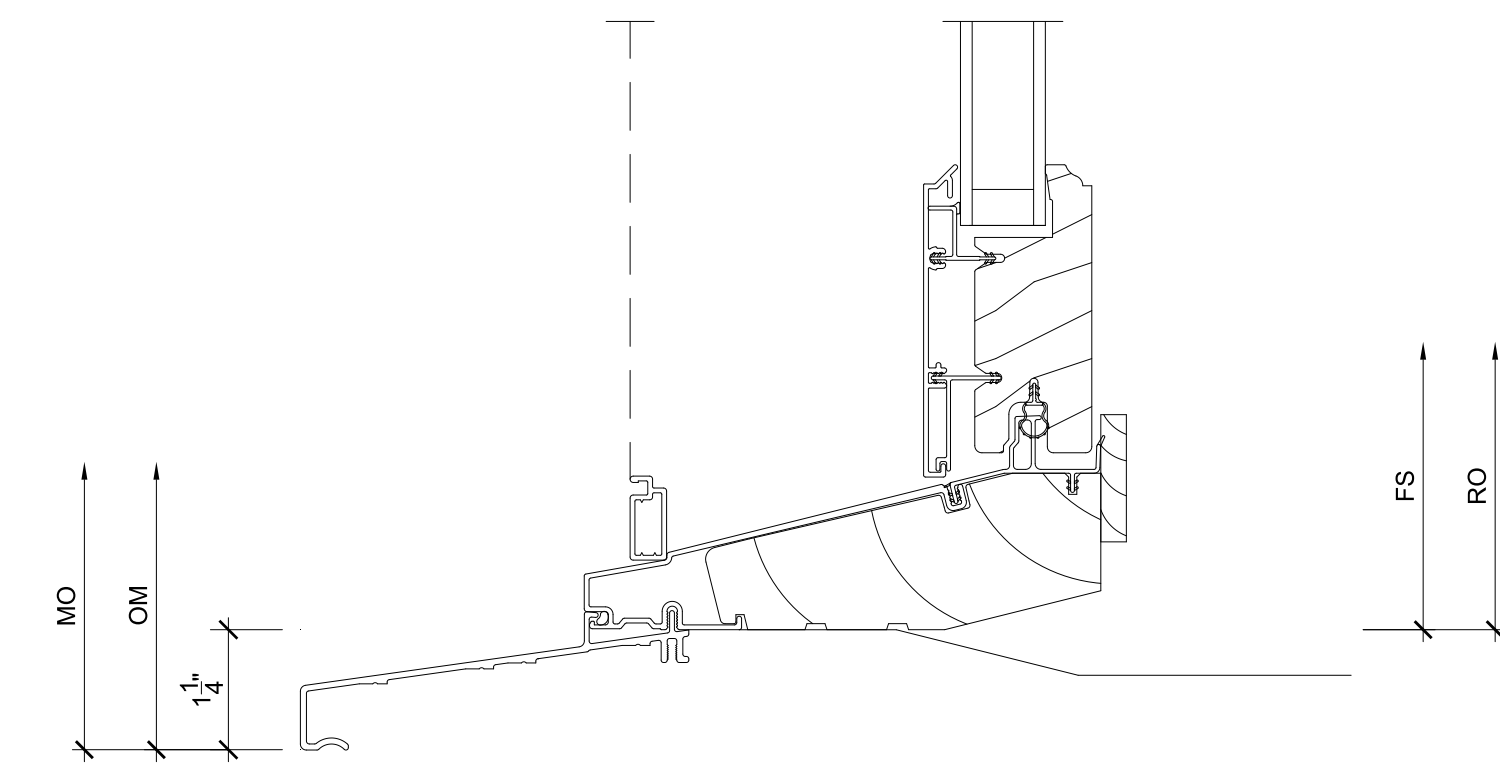
3
2 Sill

SCALE: 6" = 1'-0"



6
2 Jamb

SCALE: 6" = 1'-0"



9
2 Sill

SCALE: 6" = 1'-0"

ORDERING PRODUCTS WITH REFERENCE TO SHOP DRAWINGS:
 Before ordering the Marvin Window and Door products illustrated within these shop drawings, a copy of these drawings accompanied by an approved signature of the purchaser must be returned to the Architectural Department, Marvin Windows & Doors, P.O. Box 100, Grand Rapids, Michigan 49503. The purchaser must also return a copy of these drawings to the approved shop drawings. Marvin Windows and Doors assumes no responsibility in guaranteeing product coordination with the drawings.

PROJ/JOB: IN-TANDUM Bike Shop / Subject Studio
 DIST/DEALER: MARVIN WINDOWS AND DOORS
 DRAWN: ROB HUNTER
 QUOTE#: YUW52PM
 PK VERSION: 0004.02.01
 CREATED: 06/06/2023
 REVISION: