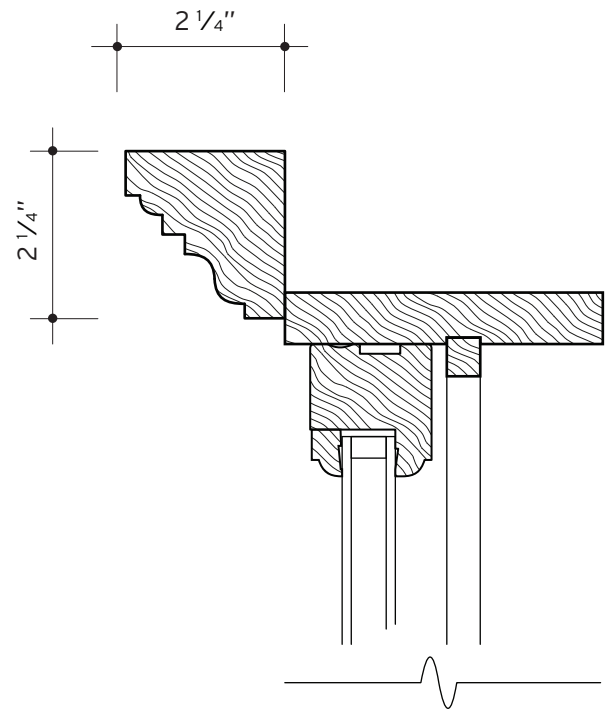
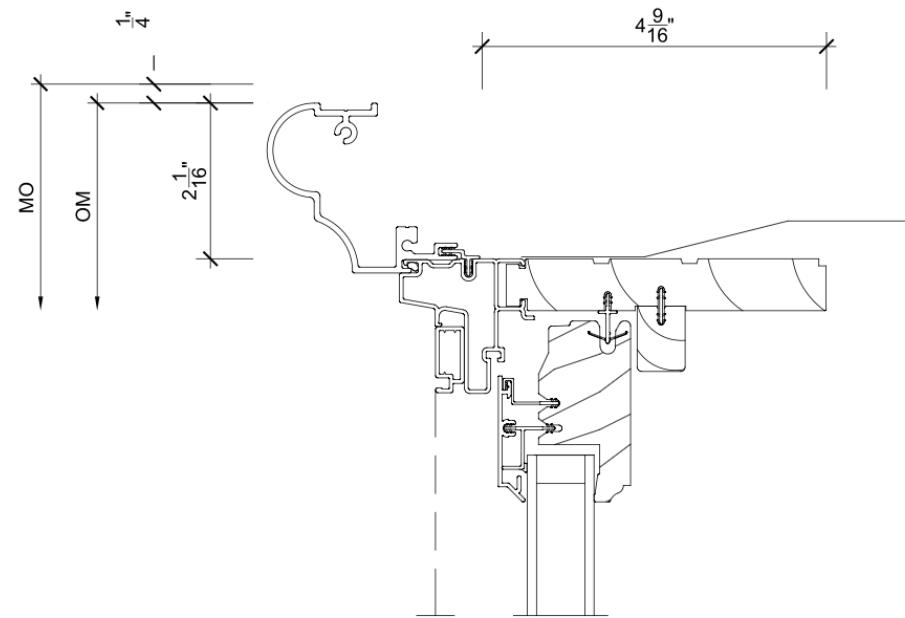


EXISTING WOOD BRICKMOLD



PROPOSED ALUMINUM BRICKMOLD
MARVIN ULTIMATE G2 (STRATTON A1449)



8022 KERCHEVAL RENOVATION

HDC PROPOSED BRICKMOLD

SUBJECTSTUDIO

1577 ASH ST. DETROIT, MI

hi@subject-studio.com