

ARCHITECT CUT SHEET
EURO VISTA FOLD™
THERMALLY BROKEN
FOLDING DOORS



The thermally broken Euro Vista Fold™ aluminum door system provides unobstructed views and seamless transitions to the outside. Euro-Wall thermally broken folding doors systems can span heights up to 168”, widths up to 52”, can be configured as a radius or postless corner systems and can span any opening width with an unlimited number of sequential panels. Euro Vista Fold™ applications are Florida Product Approved.

FL 27023

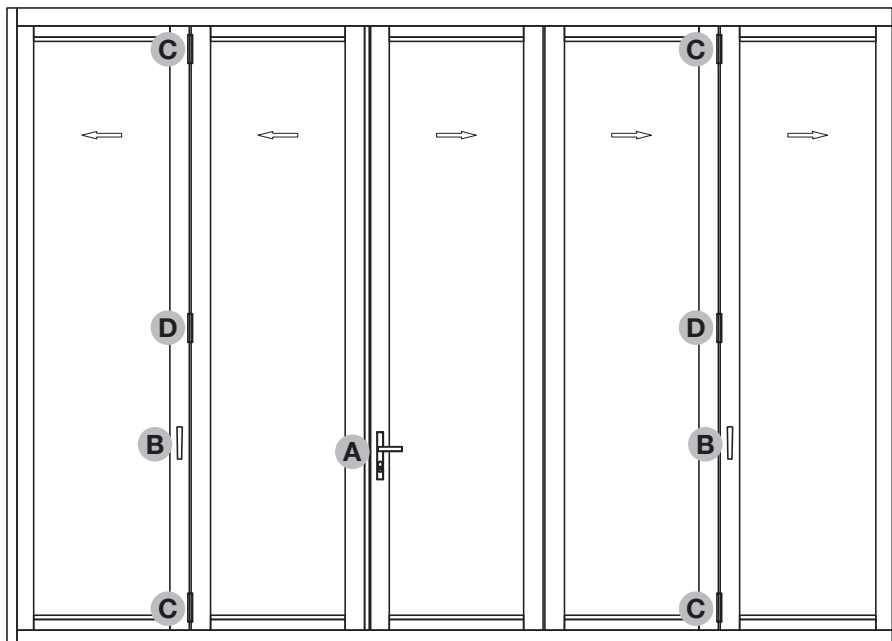


PANEL MINIMUM / MAXIMUM

Max Panel Height:	168”	Min Panel Height:	32”
Max Panel Width:	52”	Min Panel Width:	18”
Overall Frame:	213 FT ²	Max Panel Weight:	350 lbs

OVERVIEW DIAGRAM

Interior View



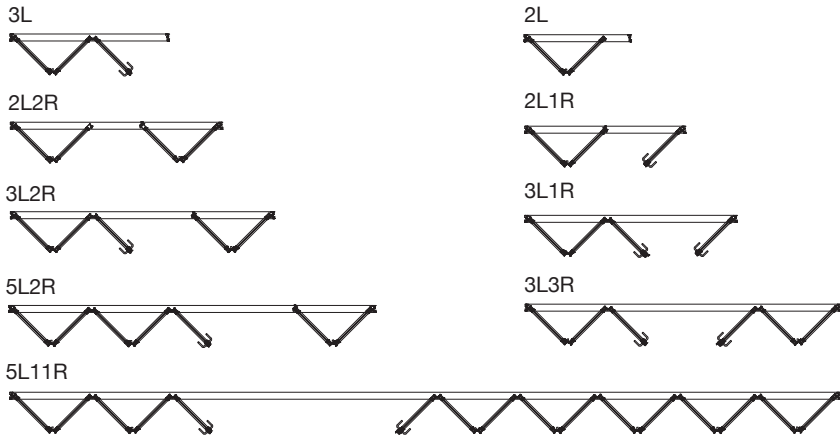
- A** Multipoint Handle
- B** Twinpoint Lever
- C** Modified Hinge
- D** D Pull Handle

Exterior View



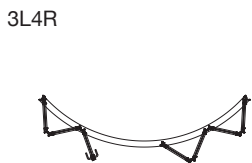
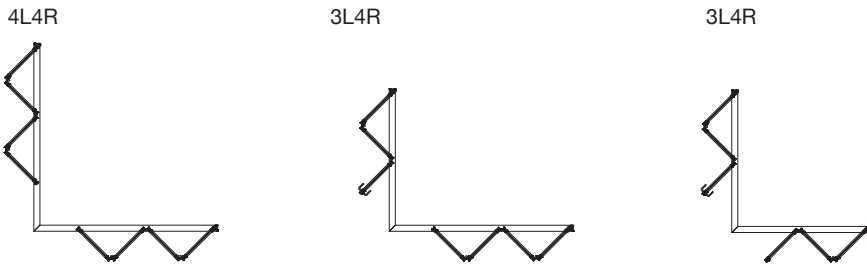
- A** Multipoint Handle
- B** Upper Jamb Hinge
- C** Lower Jamb Hinge
- D** Center Wall Pivot
- E** Upper Intermediate Carrier
- F** Lower Intermediate Carrier
- G** Upper Carrier
- H** Lower Carrier
- I** Modified Hinge

CONFIGURATIONS



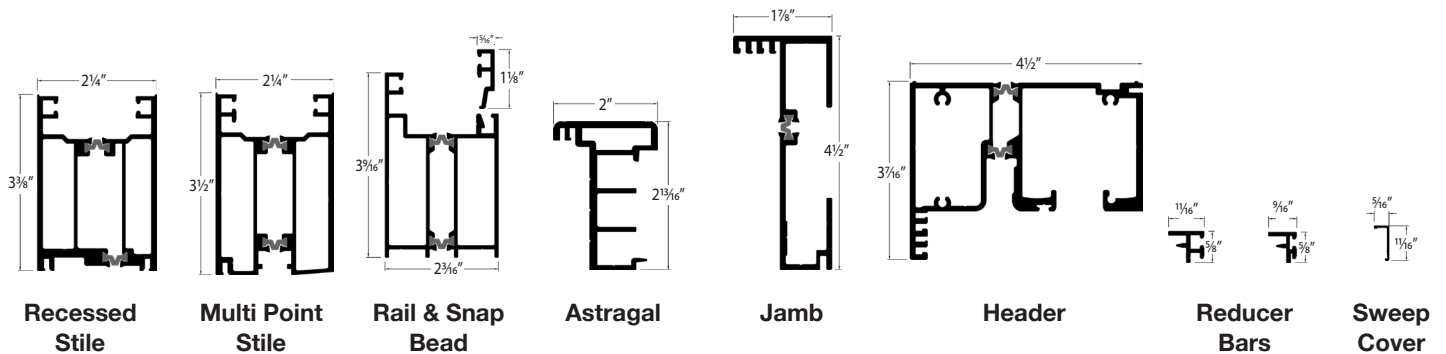
NOTE: These configurations are just a few examples of the numerous possibilities for Euro Vista Fold™ layout options. For installations in Florida, see the Florida Product Approval.

For even panel configurations (ex: 4R, 6L, 2L 4R) there is no exterior access. Exterior access is provided by request.



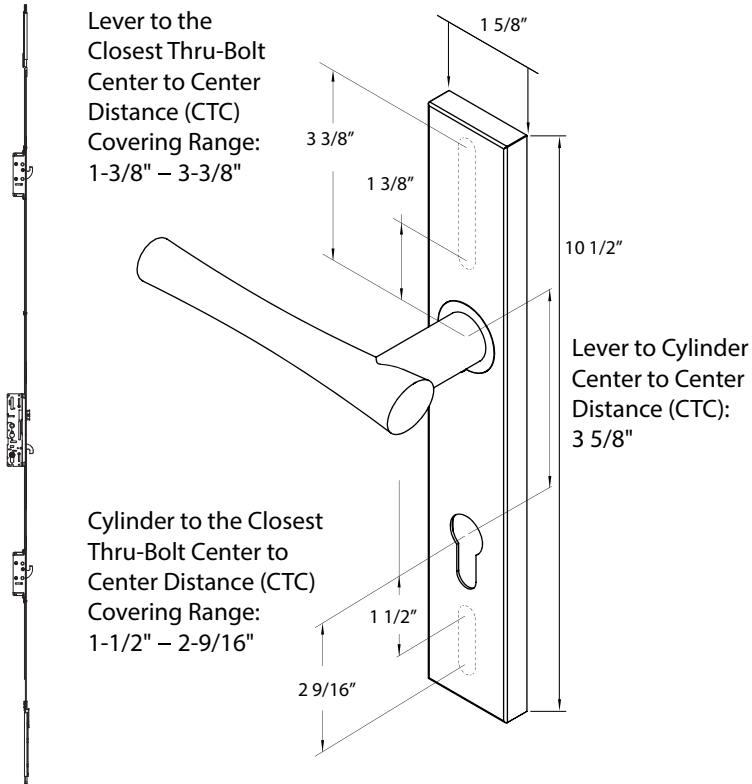
Recommended maximum degree on radius is 12 degree

EXTRUSION PROFILES



HANDLES

Multi Point 5 Point Locking Handle

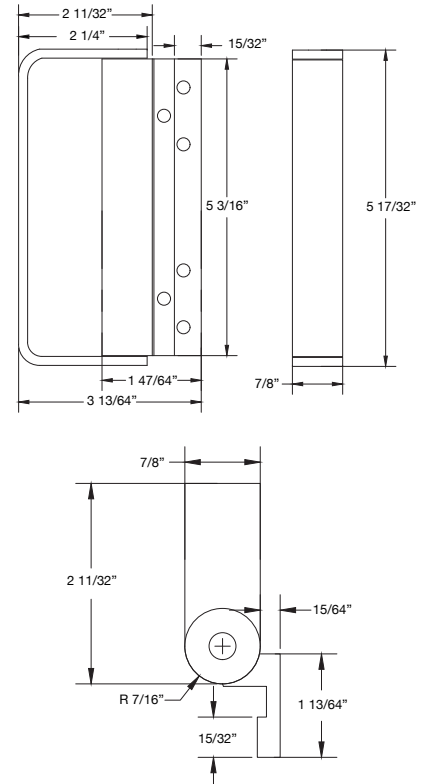


Details of multi point lock continued on pg. 5



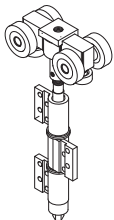
PULL HARDWARE

D Pull Handle

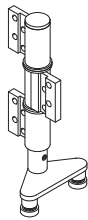


HINGES

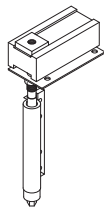
Upper Intermediate Carrier



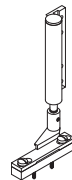
Lower Intermediate Carrier



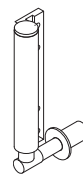
Upper Jamb Hinge



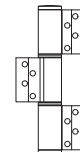
Lower Jamb Hinge



Center Wall Pivot



Straight Hinge



Modified Hinge

