

# W2500™ & W3500™ Window Line Review

Awnings, Casements, Double-Hung & Patio Doors



## Meeting Needs – Retail Market

New Construction, Remodeling, or Replacement  
Full Offering / The Differences are the Standards & Options

- W2500™
  - W3500™
  - W4500™
- } 20 Year Limited Warranty

### ■ W2500™ High Quality Standard Line

Most Popular Designs, Options & Standard Sizes

- Double-Hung
  - Natural & Primed
  - Clad Unit / W2500
- Casement & Awning
  - Clad Only
- Patio Doors / Sliding & Swing

### ■ W3500™

More Options, Heaver Look & Custom Sizes

- W2500™ Frame / Heavier Traditional Sash
- Clad Units
- Double-Hung, Casements, & Awnings

W2500™



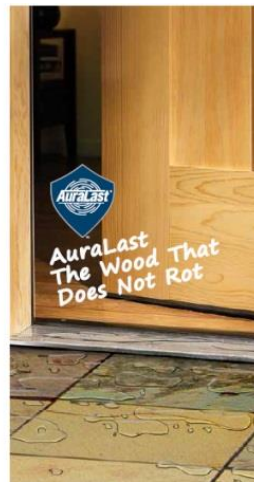
W3500™



## AuraLast®

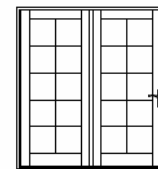
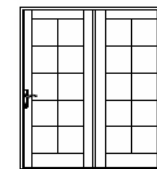
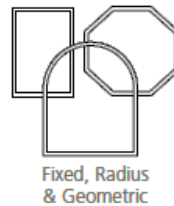
JELD-WEN® Exclusive

- Protection Against...
  - Wood Rot
  - Insect Damage
  - Water Absorption



## Complete Standard Offering High Performance Designs

- Clad Casement
- Clad Awning
- Double Hung
  - Clad
  - Natural & Primed
- Pictures & Transoms
- Fixed Geometric Shapes
- Sliding Patio Doors
- Swinging Patio Doors



## Standard Offering

- AuraLast® Wood
- 7 Exterior Clad Colors
  - AAMA 2603
- Standard & Nominal Sizes
- Basic Jamb 4-9/16"
- Pine Interior
- 7 Hardware Finishes
- Low E<sup>3</sup> 366® / Argon
- BetterVue® Screen



Pine Interior



### 7 Cladding Colors



Standard Screen



BetterVue® Screen

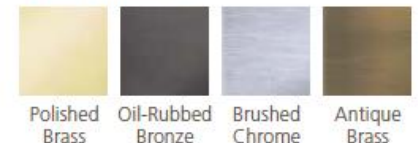


### 7 Hardware Finishes

#### Painted Finishes

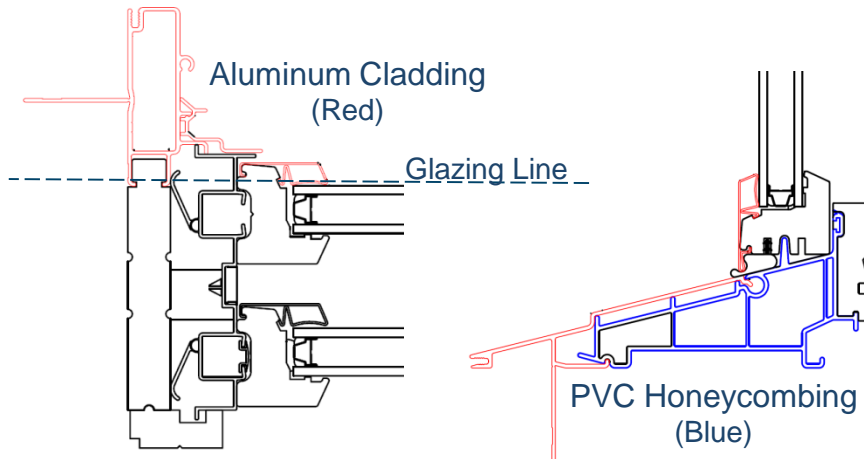


#### Plated Finishes



## High Performance Cladding

- Aluminum Cladding Stops at Glazing
  - Improved Energy Efficiency
- Engineered Sill - Aluminum / PVC
  - Extruded Aluminum Skin
  - PVC Chambered Interior Construction
    - Improved Energy Efficiency
    - Added Strength
- ENERGY STAR® Available
- Extruded Frame & Roll Form Sash

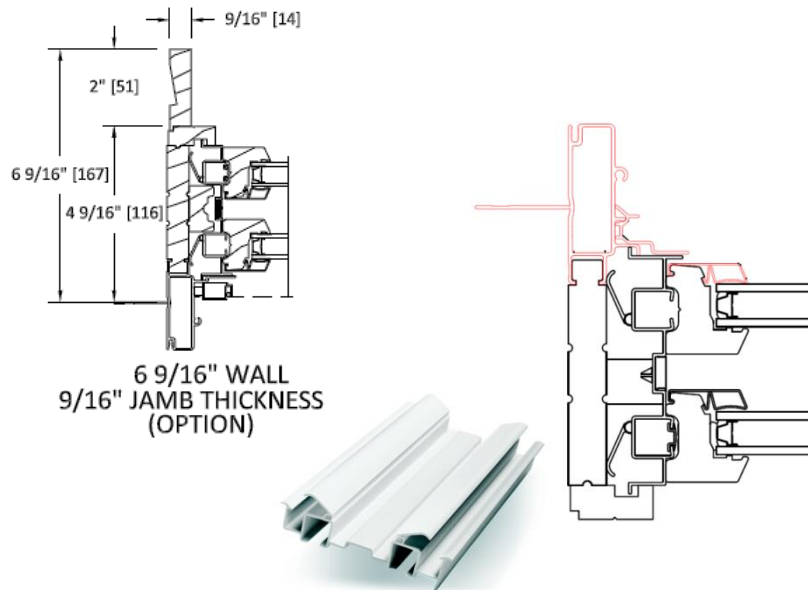


PVC  
Honeycombing



## Frame

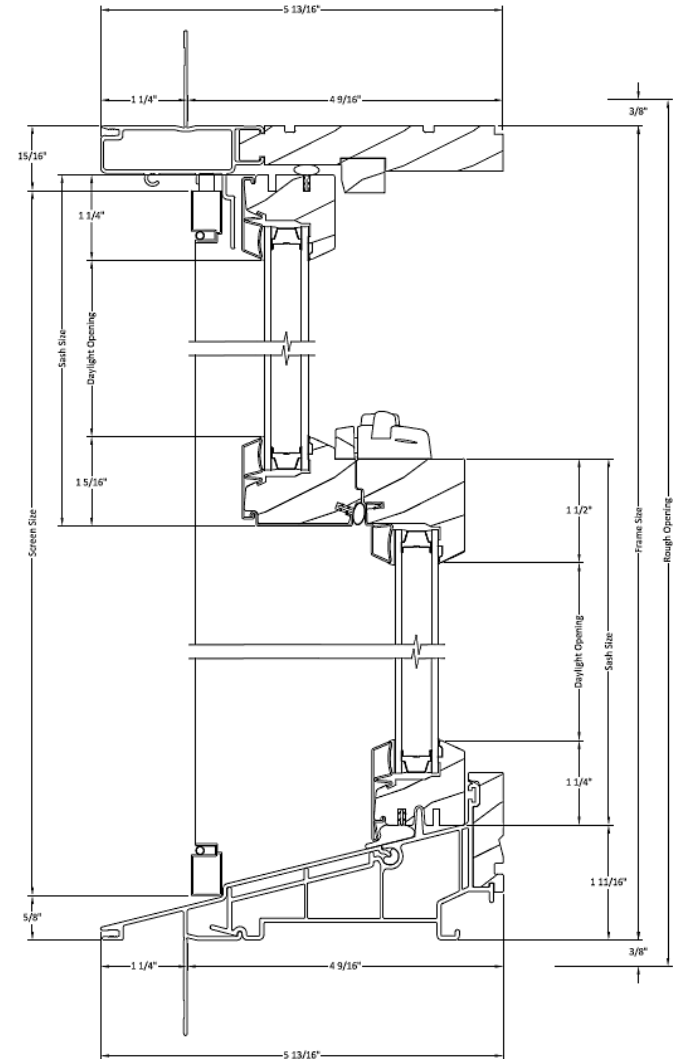
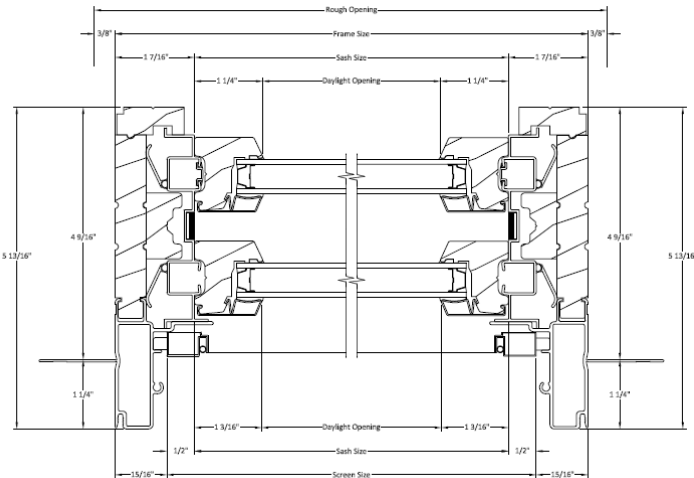
- AuraLast Pine
- Jambs 4-9/16", 6-9/16" and 7-9/16"
- Jamb Liner – Compression
- Front View / Hidden Jamb Liner
- Screen Frames Match Cladding Color



# W2500 Clad Double-Hung

## Sash

- Pine
- Glass Area Maximized
  - Sizes
    - Stiles - 1 1/4"
    - Top & Bottom Rails - 1 1/4"





## Sizes

### Standard

- 6 Widths
- 9 Heights
- 7 Exterior Clad Colors

### Nominal

- 5 Nominal Widths
- 7 Nominal Heights
- 5 Exterior Clad Colors

### Standard Sizes

<u>Widths</u>	<u>Heights</u>
21 <sup>3</sup> / <sub>8</sub>	36
25 <sup>3</sup> / <sub>8</sub>	40
29 <sup>3</sup> / <sub>8</sub>	48
33 <sup>3</sup> / <sub>8</sub>	52
37 <sup>3</sup> / <sub>8</sub>	56
41 <sup>3</sup> / <sub>8</sub>	60
	64
	72
	76

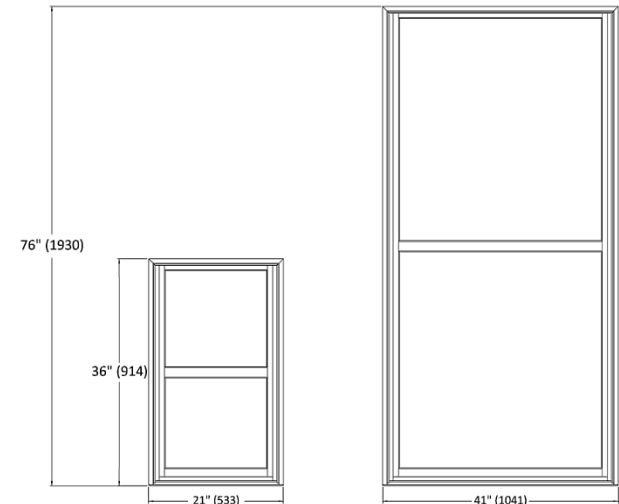
### Nominal Sizes

<u>Widths</u>	<u>Heights</u>
19 <sup>1</sup> / <sub>4</sub>	35 <sup>1</sup> / <sub>4</sub>
23 <sup>1</sup> / <sub>4</sub>	41 <sup>1</sup> / <sub>4</sub>
27 <sup>1</sup> / <sub>4</sub>	47 <sup>1</sup> / <sub>4</sub>
31 <sup>1</sup> / <sub>4</sub>	53 <sup>1</sup> / <sub>4</sub>
35 <sup>1</sup> / <sub>4</sub>	59 <sup>1</sup> / <sub>4</sub>
	65 <sup>1</sup> / <sub>4</sub>
	71 <sup>1</sup> / <sub>4</sub>

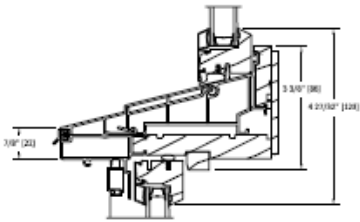
### Standard Size Clad Colors (7)



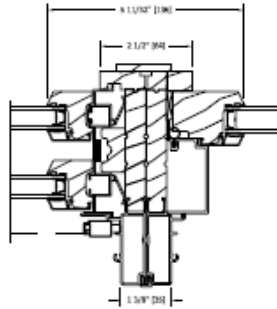
### Nominal Size Clad Colors (5)



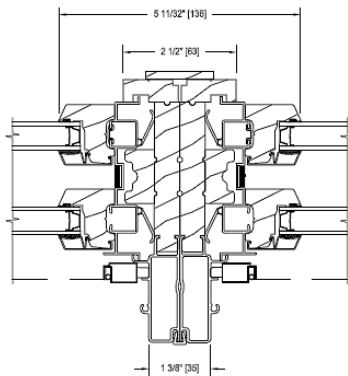
## Multiple Assemblies



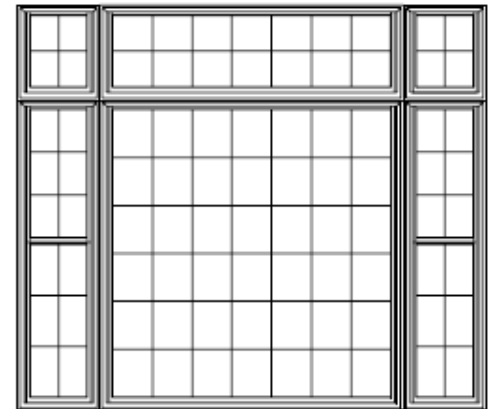
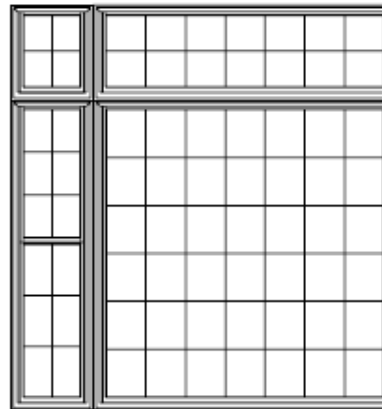
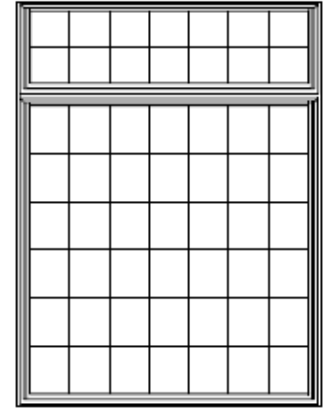
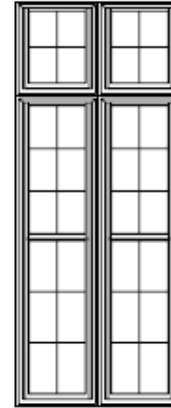
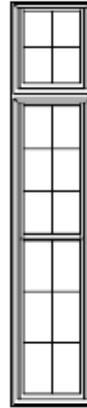
OPERATING DOUBLE HUNG  
WITH IN SASH  
PICTURE/TRANSOM



OPERATING DOUBLE HUNG  
BESIDE IN-SASH  
PICTURE/TRANSOM



TWIN OPERATING DOUBLE HUNG



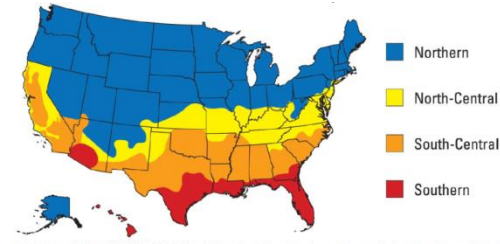
## Clad Double Hung

- ENERGY STAR® Available



Windows

Climate Zone	U-Factor <sup>1</sup>	SHGC <sup>2</sup>	
Northern*	≤ 0.27	Any	Prescriptive
	= 0.28	≥ 0.32	Equivalent Energy Performance
	= 0.29	≥ 0.37	
	= 0.30	≥ 0.42	
North-Central	≤ 0.30	≤ 0.40	
South-Central	≤ 0.30	≤ 0.25	
Southern	≤ 0.40	≤ 0.25	



Note: A complete list of ENERGY STAR Climate Zones by state and county or, where applicable, zip code is available at [https://www.energystar.gov/index.cfm?i=useaction/windows\\_doors\\_search\\_climate](https://www.energystar.gov/index.cfm?i=useaction/windows_doors_search_climate)

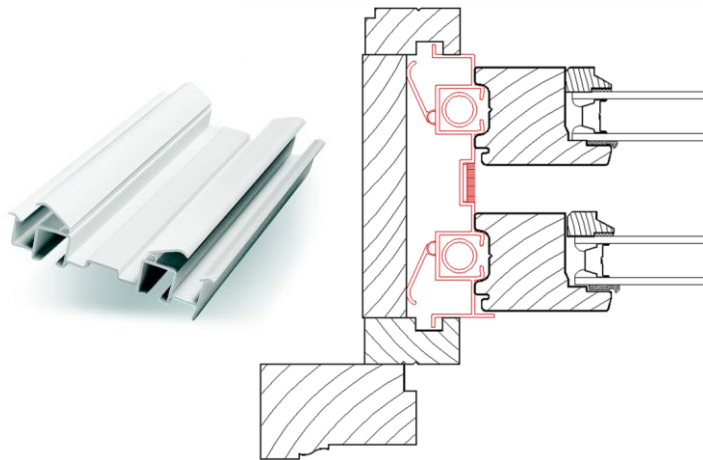
Air Leakage ≤ 0.3 cfm/ft<sup>2</sup>

PRODUCT	GLAZING	No Grid				Qualifies for Energy Star				5/8" Flat GBG, 23/32" Contoured GBG, SDL			Qualifies for Energy Star			
		U-Factor	SHGC	VT	CR	N	NC	SC	S	U-Factor	SHGC	VT	N	NC	SC	S
Clad Double-Hung	Clear 2.2mm	0.47	0.62	0.65	42					0.47	0.56	0.58				
	Clear 3.0mm	0.48	0.61	0.65	41					0.49	0.55	0.58				
	Low-E 270 2.2mm	0.33	0.30	0.56	52					0.33	0.27	0.50				
	Low-E 270 3.0mm	0.35	0.30	0.55	51					0.36	0.27	0.49				
	Low-E 270 Argon 2.2mm	0.29	0.29	0.56	55		X			0.29	0.26	0.50		X		
	Low-E 270 Argon 3.0mm	0.30	0.29	0.55	54		X			0.31	0.26	0.49		X		
	Low-E EC 3.0mm	0.29	0.29	0.54	39		X			0.30	0.26	0.48		X		
	Low-E EC Argon 3.0mm	0.26	0.29	0.54	43	X	X			0.28	0.26	0.48	X	X		
	Low-E EC3 3.0mm	0.29	0.22	0.50	40		X	X	X	0.32	0.20	0.44				X
	Low-E EC3 Argon 3.0mm	0.26	0.21	0.50	43	X	X	X	X	0.28	0.19	0.44	X	X	X	X
	Low-E 366 2.2mm	0.33	0.22	0.51	52				X	0.34	0.20	0.46				X
	Low-E 366 3.0mm	0.34	0.22	0.51	51				X	0.36	0.20	0.45				X
	Low-E 366 Argon 2.2mm	0.29	0.22	0.51	56		X	X	X	0.29	0.20	0.46		X	X	X
	Low-E 366 Argon 3.0mm	0.30	0.22	0.51	55		X	X	X	0.31	0.20	0.45				X
	Low-E 180 2.2mm	0.34	0.55	0.63	52					0.34	0.49	0.56				
	Low-E 180 3.0mm	0.35	0.54	0.62	50					0.37	0.48	0.55				
Low-E 180 Argon 2.2mm	0.30	0.55	0.63	55	X				0.30	0.49	0.56	X				
Low-E 180 Argon 3.0mm	0.31	0.54	0.62	54					0.32	0.48	0.55					

## Wood Double Hung

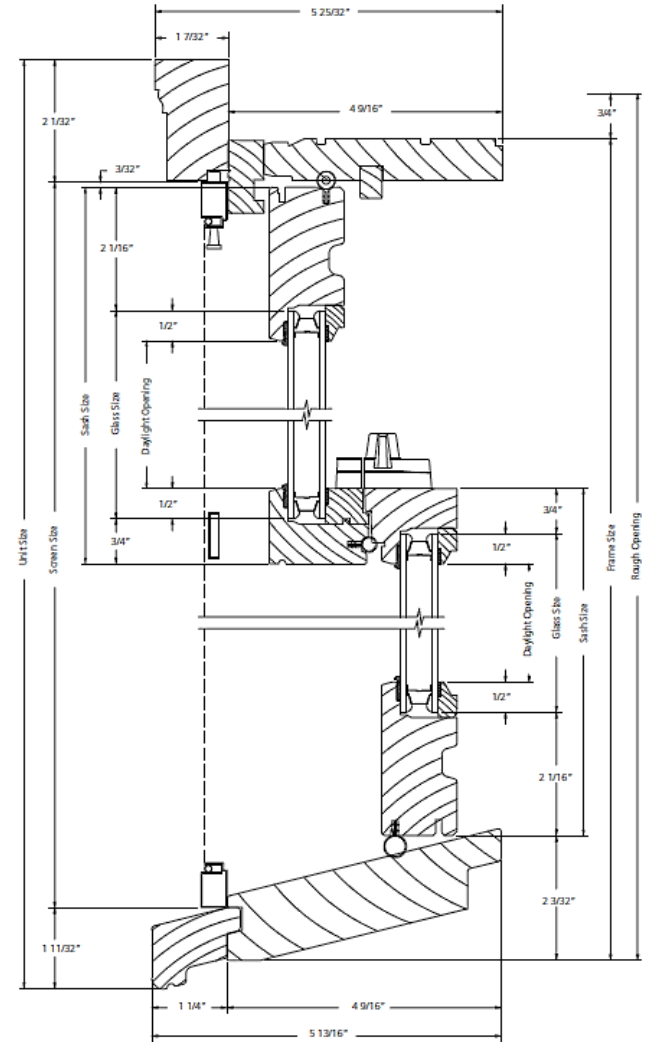
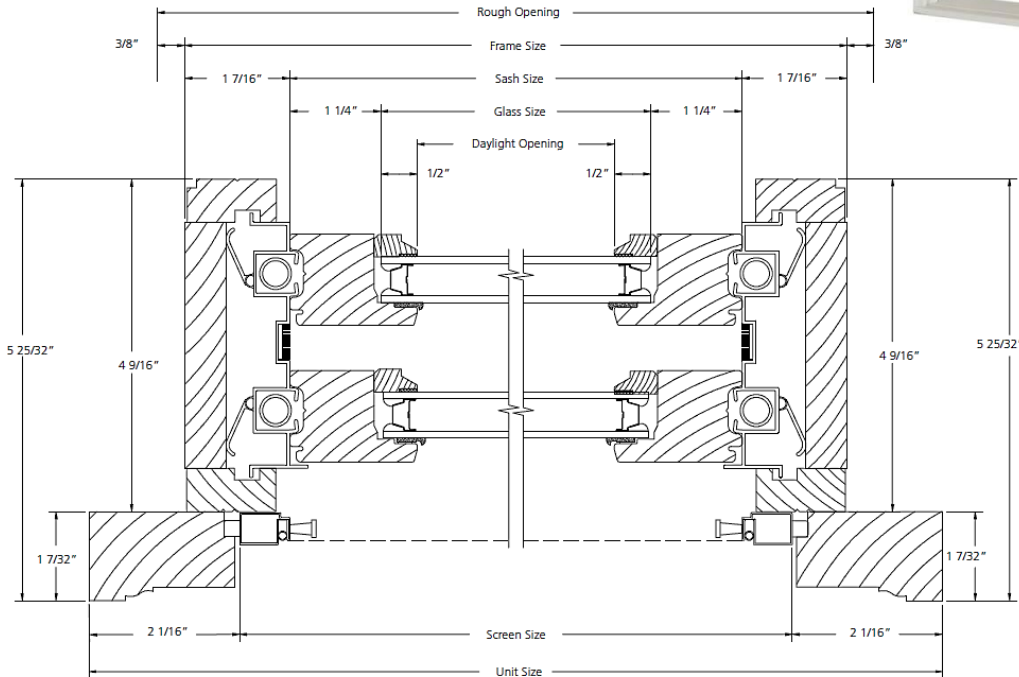
### Note: Tradition Plus Unit

- AuraLast Pine
- AuraLast Primed Pine
- Jambs 4-9/16", 6-9/16" and 7-9/16"
- Jamb Liner - Compression
- Unit Sizes / Standard & Custom
  - Width: 21<sup>3</sup>/<sub>8</sub> to 45<sup>3</sup>/<sub>8</sub>
  - Height: 36<sup>1</sup>/<sub>2</sub> to 92<sup>1</sup>/<sub>2</sub>



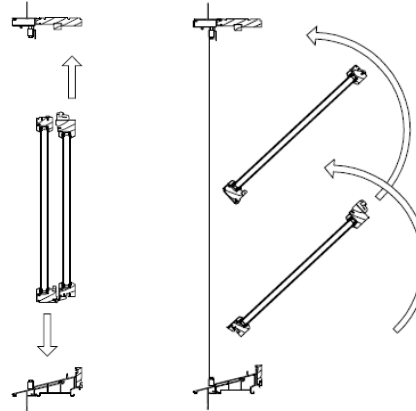
## Wood Double Hung

- Sash
  - Stiles - 1 3/4"
  - Top & Bottom Rails - 2 9/16"

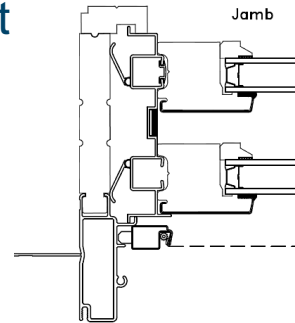


## Interiors

- Pine Interior
- Compression Jamb Liner
  - Sash Tilt Out
  - Sash Removable
- Secure Stylized Cam Lock
  - 7 Hardware Finishes
  - Provides Solid Weather-strip Contact



**Compression Jamb Liner**



**Pine Interior**



**Cam Lock  
7 Hardware Finishes**

**Painted Finishes**



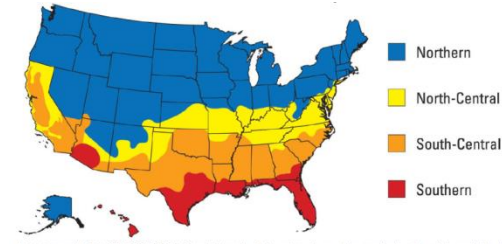
**Plated Finishes**



- Wood Double Hung
  - ENERGY STAR® Available

Windows

Climate Zone	U-Factor <sup>1</sup>	SHGC <sup>2</sup>	
Northern*	≤ 0.27	Any	Prescriptive
	= 0.28	≥ 0.32	Equivalent Energy Performance
	= 0.29	≥ 0.37	
	= 0.30	≥ 0.42	
North-Central	≤ 0.30	≤ 0.40	
South-Central	≤ 0.30	≤ 0.25	
Southern	≤ 0.40	≤ 0.25	



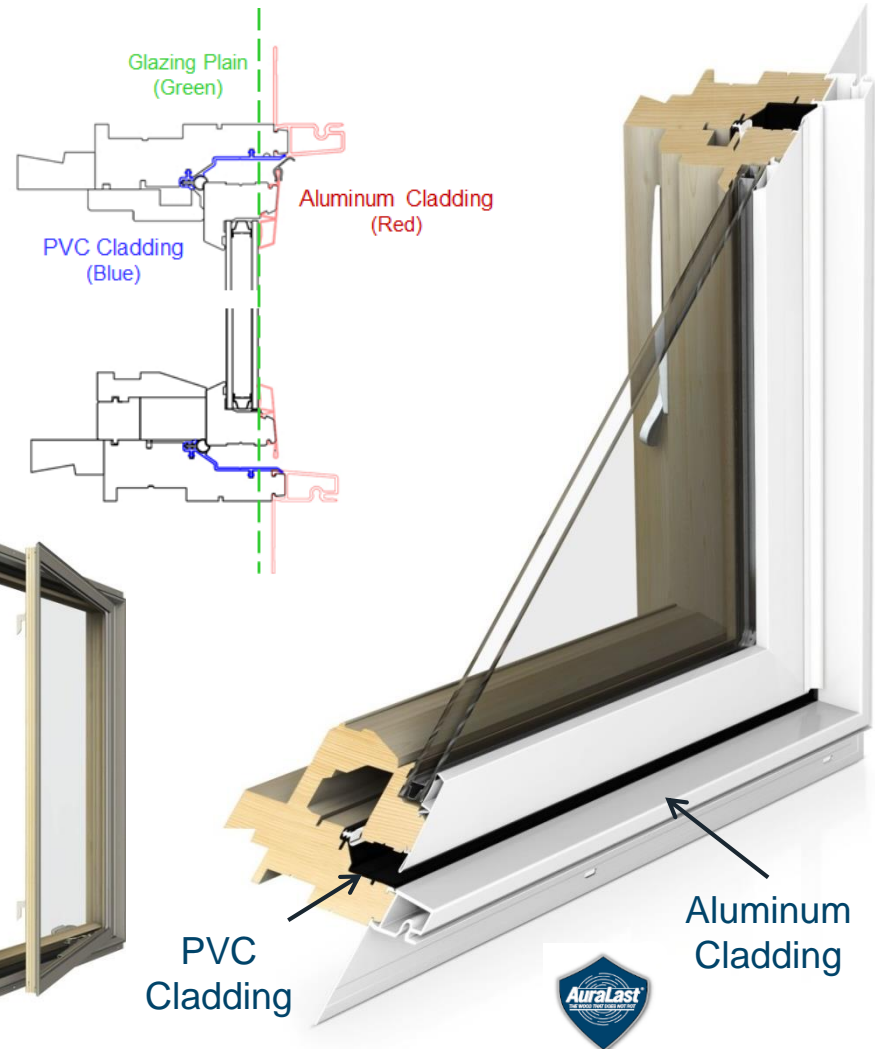
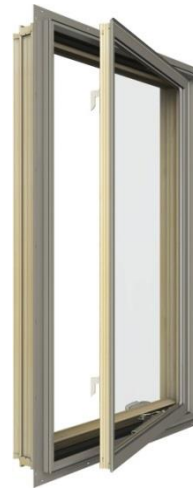
Note: A complete list of ENERGY STAR Climate Zones by state and county or, where applicable, zip code is available at [https://www.energystar.gov/index.cfm?fuseaction=windows\\_doors\\_search\\_climate](https://www.energystar.gov/index.cfm?fuseaction=windows_doors_search_climate)

Air Leakage ≤ 0.3 cfm/ft<sup>2</sup>

PRODUCT	GLAZING	No Grid				Qualifies for Energy Star				5/8" Flat GBG, 23/32" Contoured GBG, SDL			Qualifies for Energy Star			
		U-Factor	SHGC	VT	CR	N	NC	SC	S	U-Factor	SHGC	VT	N	NC	SC	S
Wood Double Hung	Clear	0.48	0.57	0.60	42					0.48	0.51	0.53				
	Low-E 270	0.35	0.28	0.51	52					0.36	0.25	0.45				X
	Low-E 270 Argon	0.31	0.27	0.51	56					0.32	0.25	0.45				X
	Low-E EC	0.30	0.27	0.50	41		X			0.33	0.24	0.44				X
	Low-E EC Argon	0.27	0.27	0.50	44	X	X			0.29	0.24	0.44	X	X	X	X
	Low-E3 EC	0.30	0.20	0.46	41		X	X	X	0.33	0.18	0.41				X
	Low-E EC3 Argon	0.27	0.20	0.46	45	X	X	X	X	0.29	0.18	0.41	X	X	X	X
	Low-E 366	0.35	0.21	0.47	53				X	0.36	0.19	0.42				X
	Low-E 366 Argon	0.30	0.20	0.47	56		X	X	X	0.32	0.18	0.42				X
	Low-E 180	0.36	0.50	0.58	52					0.37	0.45	0.51				
Low-E 180 Argon	0.32	0.50	0.58	55					0.33	0.45	0.51					

## Standard Specifications

- Clad Units Only
  - Frame: Extruded Aluminum
    - Frame: Addition of PVC Cladding
  - Sash: Roll Form Aluminum
  - Aluminum Cladding Stops At Exterior Glazing
  - ENERGY STAR® Available
- Standard & Nominal Sizes
  - Frame Width: 20" to 36"
  - Frame Height : 24" to 72"
- Largest Operating Size – 36" x 72"
- Sash: Maximum Glass Area
  - Stiles – 1 3/16"
  - Rails – 1 1/4"





## Standard Offering

- 7 Exterior Clad Colors
- Pine Interior
- 3 Interior Screen Colors
- Nesting Operator Handle
- Single Sash Lock Lever
- 7 Hardware Finishes

### 3 Screen Frame Colors



Brilliant White Frame



Desert Sand Frame



Chestnut Bronze Frame

### 7 Hardware Finishes



#### Painted Finishes



White



Desert Sand



Chestnut Bronze

#### Plated Finishes



Polished Brass



Oil-Rubbed Bronze



Brushed Chrome



Antique Brass

### 7 Cladding Colors



Brilliant White



French Vanilla



Desert Sand



Mesa Red



Hartford Green



Chestnut Bronze



Black



## Casement Sizes

### Standard

- 5 Widths
- 12 Heights
- 7 Exterior Clad Colors

### Nominal

- 4 Widths
- 9 Heights
- 5 Exterior Clad Colors

### Standard Sizes

<u>Widths</u>	<u>Heights</u>
20	24
24	30
28	36
30	42
36	44
	48
	54
	56
	60
	64
	66
	72

### Nominal Sizes

<u>Widths</u>	<u>Heights</u>
23 ¼	23 ¼
29 ¼	29 ¼
31 ¼	35 ¼
35 ¼	41 ¼
	47 ¼
	53 ¼
	59 ¼
	65 ¼
	71 ¼

#### Standard Size Clad Colors (7)

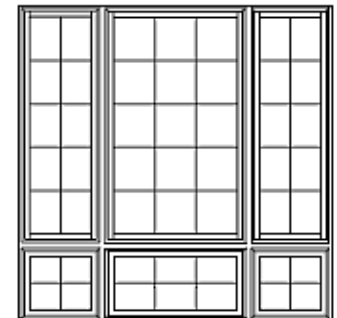
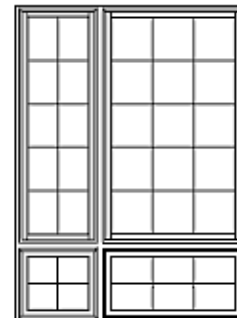
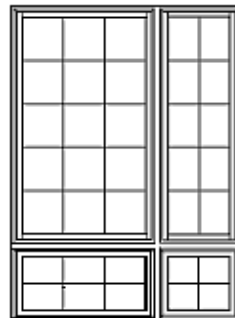
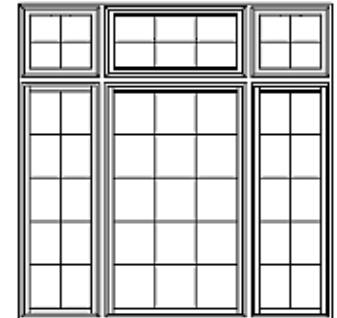
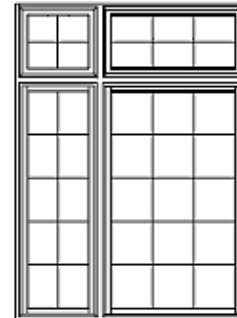
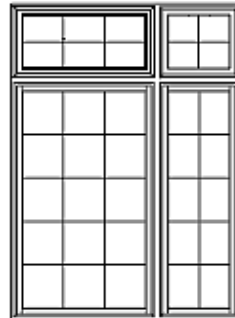
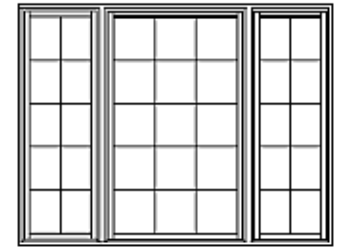
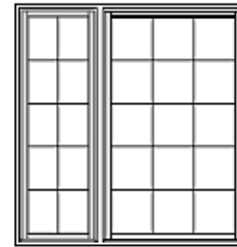
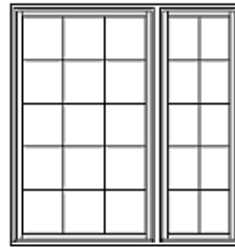
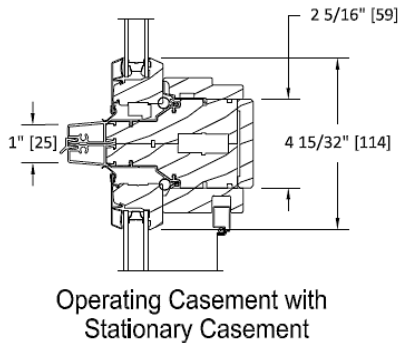
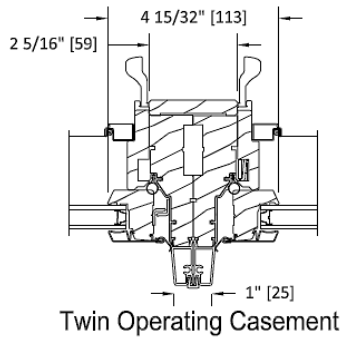


#### Nominal Size Clad Colors (5)



## Multiple Assemblies

- Size Limit
  - Height 100"
  - Width - 150"



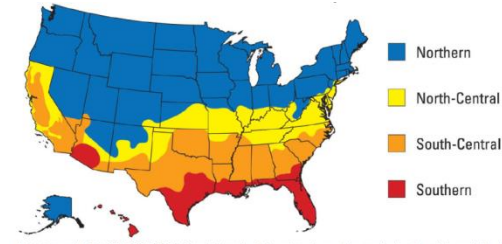
## Clad Casement

- ENERGY STAR® Available



Windows

Climate Zone	U-Factor <sup>1</sup>	SHGC <sup>2</sup>	
Northern*	≤ 0.27	Any	Prescriptive
	= 0.28	≥ 0.32	Equivalent Energy Performance
	= 0.29	≥ 0.37	
	= 0.30	≥ 0.42	
North-Central	≤ 0.30	≤ 0.40	
South-Central	≤ 0.30	≤ 0.25	
Southern	≤ 0.40	≤ 0.25	



Note: A complete list of ENERGY STAR Climate Zones by state and county or, where applicable, zip code is available at [https://www.energystar.gov/index.cfm?fuseaction=windows\\_doors\\_search\\_climate](https://www.energystar.gov/index.cfm?fuseaction=windows_doors_search_climate)

Air Leakage ≤ 0.3 cfm/ft<sup>2</sup>

PRODUCT	GLAZING	No Grid				Qualifies for Energy Star				5/8" Flat GBG, 23/32" Contoured GBG, SDL			Qualifies for Energy Star			
		U-Factor	SHGC	VT	CR	N	NC	SC	S	U-Factor	SHGC	VT	N	NC	SC	S
Clad Casement	Clear 2.2mm	0.45	0.60	0.62	42					0.46	0.55	0.56				
	Clear 3.0mm	0.46	0.59	0.62	41					0.46	0.53	0.56				
	Low-E 270 2.2mm	0.32	0.28	0.53	54					0.32	0.26	0.48				
	Low-E 270 3.0mm	0.33	0.28	0.52	52					0.34	0.26	0.48				
	Low-E 270 Argon 2.2mm	0.28	0.28	0.53	58		X			0.28	0.26	0.48		X		
	Low-E 270 Argon 3.0mm	0.29	0.28	0.52	56		X			0.30	0.26	0.48		X		
	Low-E EC 3.0mm	0.28	0.28	0.51	40		X			0.29	0.25	0.46		X	X	X
	Low-E EC Argon 3.0mm	0.25	0.28	0.51	44	X	X			0.26	0.25	0.46	X	X	X	X
	Low-E EC3 3.0mm	0.28	0.21	0.47	41		X	X	X	0.30	0.19	0.43		X	X	X
	Low-E EC3 Argon 3.0mm	0.25	0.21	0.47	45	X	X	X	X	0.27	0.19	0.43	X	X	X	X
	Low-E 366 2.2mm	0.31	0.21	0.49	55				X	0.31	0.20	0.44				X
	Low-E 366 3.0mm	0.33	0.21	0.48	53				X	0.34	0.20	0.44				X
	Low-E 366 Argon 2.2mm	0.28	0.21	0.49	58		X	X	X	0.28	0.19	0.44		X	X	X
	Low-E 366 Argon 3.0mm	0.28	0.21	0.48	57		X	X	X	0.29	0.19	0.44		X	X	X
	Low-E 180 2.2mm	0.32	0.52	0.60	54					0.32	0.48	0.54				
	Low-E 180 3.0mm	0.34	0.51	0.59	52					0.35	0.47	0.54				
Low-E 180 Argon 2.2mm	0.29	0.53	0.60	57	X				0.29	0.48	0.54	X				
Low-E 180 Argon 3.0mm	0.30	0.52	0.59	56	X				0.31	0.47	0.54	X				

## Added Diversity and Flexibility

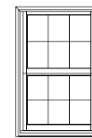
### Options:

- Neat® Glass
- Preserve®
- ENERGY STAR®
- 6 Interior Finishes
- Jams 4 9/16 to 7 9/16
- Exterior Clad Trim
- 7/8 SDL Bar & 2 Grilles
- Sliding Patio Door Blinds
- WOCD
- FSC® & SFI® Wood

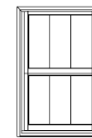
Interior Finishes



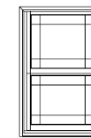
Window Opening Control Devices



RECTANGULAR

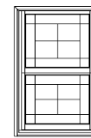


VERTICAL



PRAIRIE

Simulated Divided Lites



UNEVEN



DIAMOND

Clad Exterior Trim



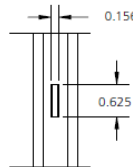
Adams Trim in Clad



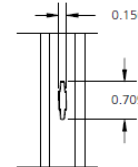
Flat Trim in Clad



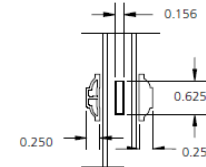
Brickmould Trim in Clad



5/8" GRILLE



23/32" GRILLE



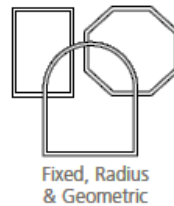
7/8" SDL



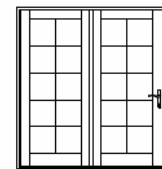
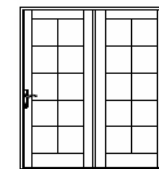
## Complete Standard Offering

### High Performance Designs

- Clad Casement
- Clad Awning
- Double Hung
  - Clad
  - Natural & Primed (Tradition Plus)
- Pictures & Transoms
- Fixed Geometric Shapes
- Sliding Patio Doors
- Swinging Patio Doors



Fixed, Radius  
& Geometric



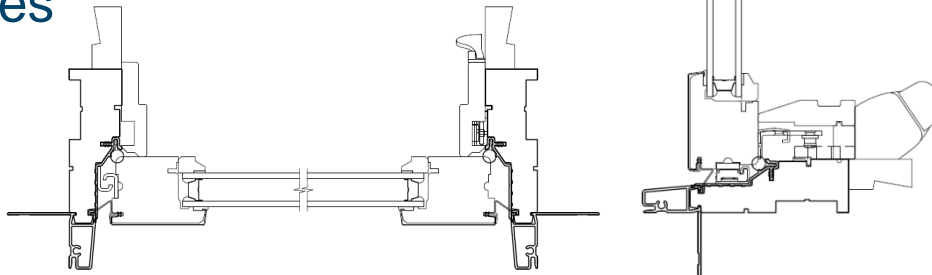
## Standard Design Offering

- Energy Efficient Design
  - ENERGY STAR® Available
- More Options & Heavier Look
  - W2500™ Frame / Heavy Tradition Plus Sash



### Clad Units Only

- Casements
  - Awnings
  - Double Hung
  - Double Hung Picture
  - Transoms
- Custom Sizes



Frame: W2500  
Sash: Tradition Plus

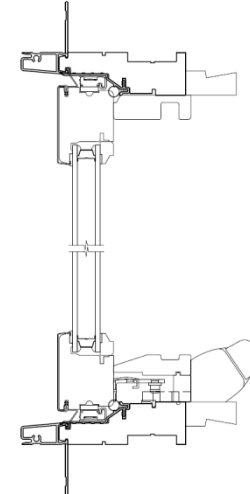


## Standard Offering

- High Performance Design
- AuraLast® Wood
- 9 Exterior Clad Colors
  - AAMA 2603
- Standard & Custom Sizes
- Basic Jamb 4-9/16"
- Pine Interior
- 7 Hardware Finishes
- Low E<sup>3</sup> 366® / Argon
- BetterVue® Screen



Pine Interior



### 9 Cladding Colors

#### STANDARD COLORS



Standard Screen



BetterVue® Screen

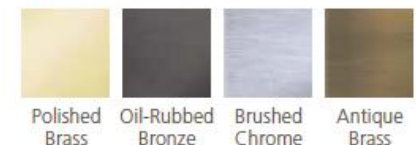


### 7 Hardware Finishes

#### Painted Finishes



#### Plated Finishes





## Exterior Standard Specifications

- Aluminum Clad Units Only
  - Frame: Extruded Aluminum Clad / W2500
  - Sash: Roll Form Aluminum Clad
  - Sill: Engineered - Aluminum / PVC Honeycomb
    - Aluminum Skin
    - PVC Chambered Interior Construction
      - Improved Energy Efficiency
      - Added Strength
  - ENERGY STAR® Available
- AuraLast® Wood
- Standard & Custom Sizes
  - Width: 21 <sup>3</sup>/<sub>8</sub> to 41 <sup>3</sup>/<sub>8</sub>
  - Height : 36 to 76
- Jambs 4-9/16"

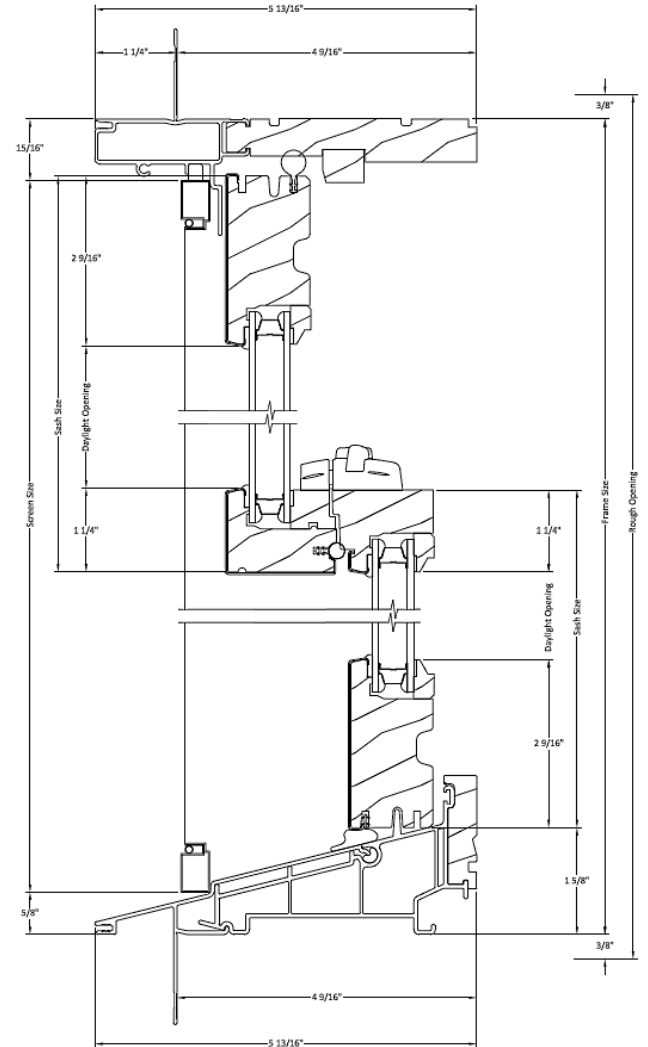
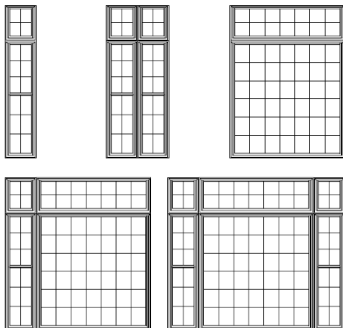
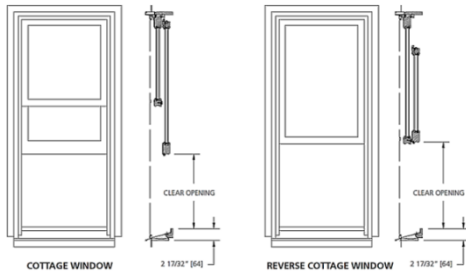


PVC  
Honeycomb



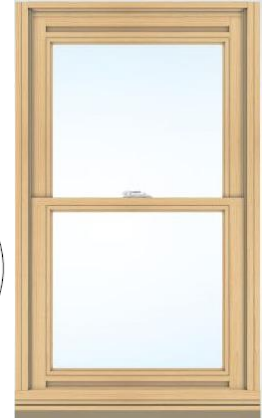
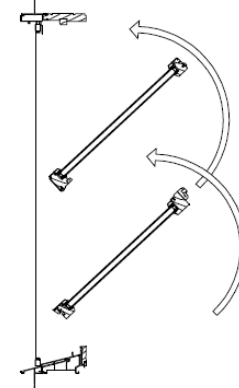
## Exterior Standard Specifications

- Sash
  - Stiles - 1 3/4"
  - Rails - 2 9/16"
- Optional Cottage Units
- Multiple Assemblies



# W-3500™ Double Hung Interior

- Pine Interior
- Compression Jamb Liner
  - Sash Tilt Out
  - Sash Removable
- Secure Stylized Cam Lock
  - Provides Solid Weather-strip contact
  - 7 Hardware Finishes



**Cam Lock**  
**7 Hardware Finishes**

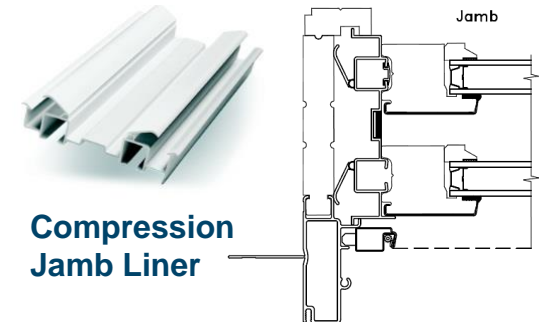
**Painted Finishes**



**Plated Finishes**



**Pine Interior**



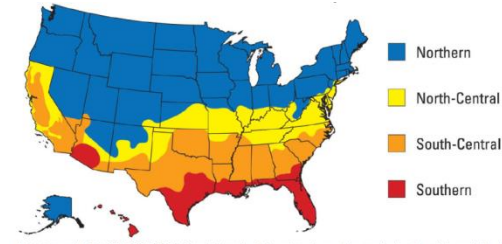
**Compression Jamb Liner**

## Clad Double – Double Hung

- ENERGY STAR® Available

Windows

Climate Zone	U-Factor <sup>1</sup>	SHGC <sup>2</sup>	
Northern*	≤ 0.27	Any	Prescriptive
	= 0.28	≥ 0.32	Equivalent Energy Performance
	= 0.29	≥ 0.37	
	= 0.30	≥ 0.42	
North-Central	≤ 0.30	≤ 0.40	
South-Central	≤ 0.30	≤ 0.25	
Southern	≤ 0.40	≤ 0.25	



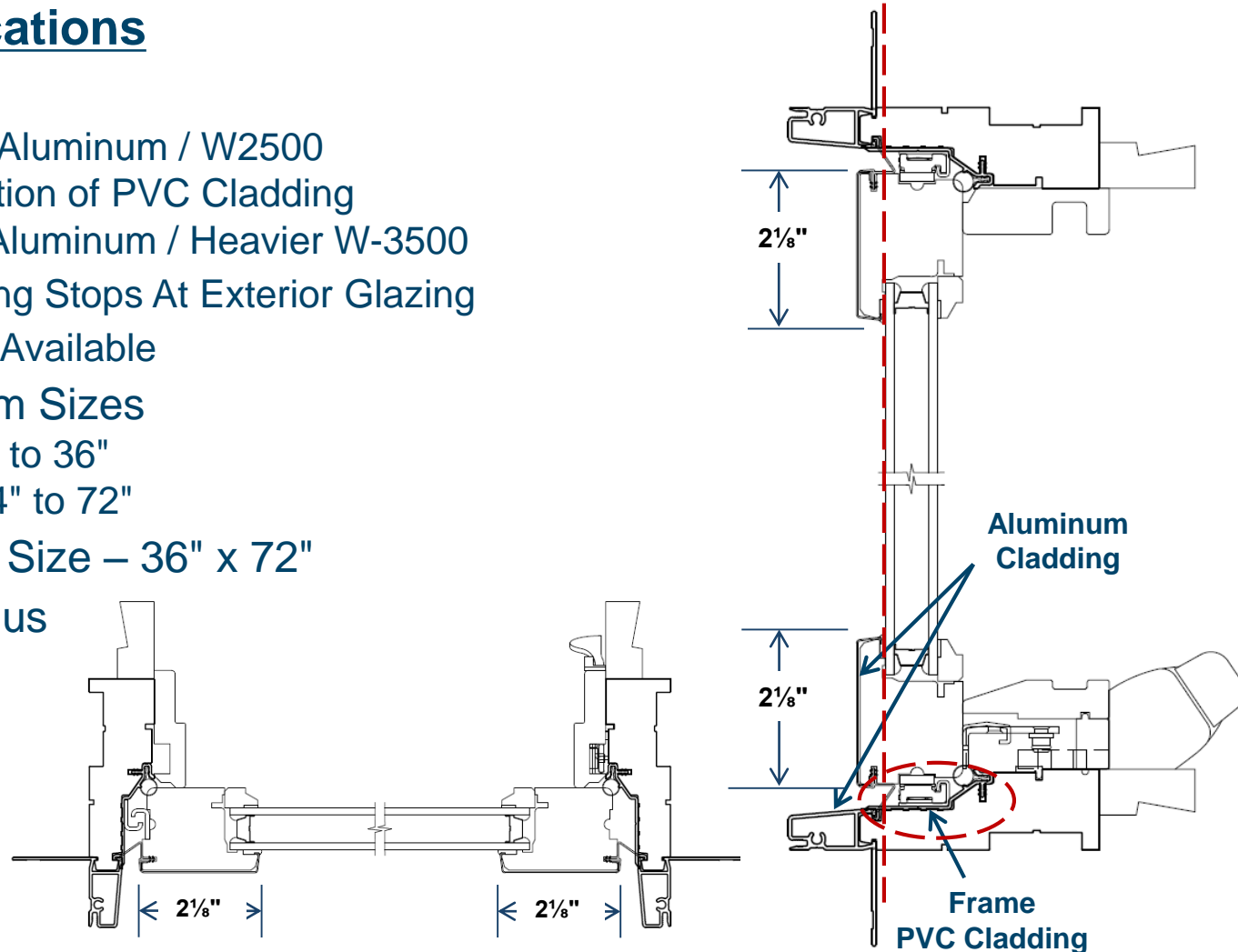
Note: A complete list of ENERGY STAR Climate Zones by state and county or, where applicable, zip code is available at [https://www.energystar.gov/index.cfm?i=useaction/windows\\_doors\\_search\\_climate](https://www.energystar.gov/index.cfm?i=useaction/windows_doors_search_climate)

Air Leakage ≤ 0.3 cfm/ft<sup>2</sup>

PRODUCT	GLAZING	No Grid				Qualifies for Energy Star				5/8" Flat GBG, 23/32" Contoured GBG, SDL			Qualifies for Energy Star			
		U-Factor	SHGC	VT	CR	N	NC	SC	S	U-Factor	SHGC	VT	N	NC	SC	S
Clad Double-Hung	Clear 2.2mm	0.46	0.59	0.61	43					0.46	0.52	0.54				
	Clear 3.0mm	0.47	0.57	0.60	42					0.47	0.51	0.54				
	Low-E 270 2.2mm	0.33	0.28	0.52	54					0.33	0.25	0.46				X
	Low-E 270 3.0mm	0.35	0.28	0.52	52					0.36	0.25	0.46				X
	Low-E 270 Argon 2.2mm	0.30	0.28	0.52	57		X			0.30	0.25	0.46		X	X	X
	Low-E 270 Argon 3.0mm	0.30	0.28	0.52	56		X			0.31	0.25	0.46				X
	Low-E EC 3.0mm	0.30	0.27	0.50	40		X			0.32	0.24	0.45				X
	Low-E EC Argon 3.0mm	0.27	0.27	0.50	44	X	X			0.29	0.24	0.45		X	X	X
	Low-E EC3 3.0mm	0.29	0.20	0.46	41		X	X	X	0.32	0.18	0.41				X
	Low-E EC3 Argon 3.0mm	0.26	0.20	0.46	44	X	X	X	X	0.29	0.18	0.41		X	X	X
	Low-E 366 2.2mm	0.33	0.21	0.48	54				X	0.33	0.19	0.43				X
	Low-E 366 3.0mm	0.34	0.21	0.48	53				X	0.36	0.19	0.42				X
	Low-E 366 Argon 2.2mm	0.29	0.21	0.48	58		X	X	X	0.29	0.19	0.43		X	X	X
	Low-E 366 Argon 3.0mm	0.30	0.21	0.48	56		X	X	X	0.31	0.19	0.42				X
	Low-E 180 2.2mm	0.34	0.51	0.59	53					0.34	0.46	0.52				
	Low-E 180 3.0mm	0.35	0.50	0.58	52					0.37	0.45	0.52				
	Low-E 180 Argon 2.2mm	0.30	0.52	0.59	57	X				0.30	0.46	0.52	X			
Low-E 180 Argon 3.0mm	0.31	0.51	0.58	55					0.32	0.45	0.52					

## Standard Specifications

- Clad Units Only
  - Frame: Extruded Aluminum / W2500
    - Frame: Addition of PVC Cladding
  - Sash: Roll Form Aluminum / Heavier W-3500
  - Aluminum Cladding Stops At Exterior Glazing
  - ENERGY STAR® Available
- Standard & Custom Sizes
  - Frame Width: 20" to 36"
  - Frame Height : 24" to 72"
- Largest Operating Size – 36" x 72"
- Sash - Tradition Plus
  - Stiles - 2 1/8"
  - Rails - 2 1/8"



## Interiors

- Pine Interior
- Nesting Operator Handle
- Single Sash Lock Handle
- 7 Hardware Finishes
- 3 Screen Frame Colors
- BetterVue Screens

### 3 Interior Screen Colors



Brilliant White Frame



Desert Sand Frame



Chestnut Bronze Frame

### 7 Hardware Finishes

#### Painted Finishes



White



Desert Sand



Chestnut Bronze

#### Plated Finishes



Polished Brass



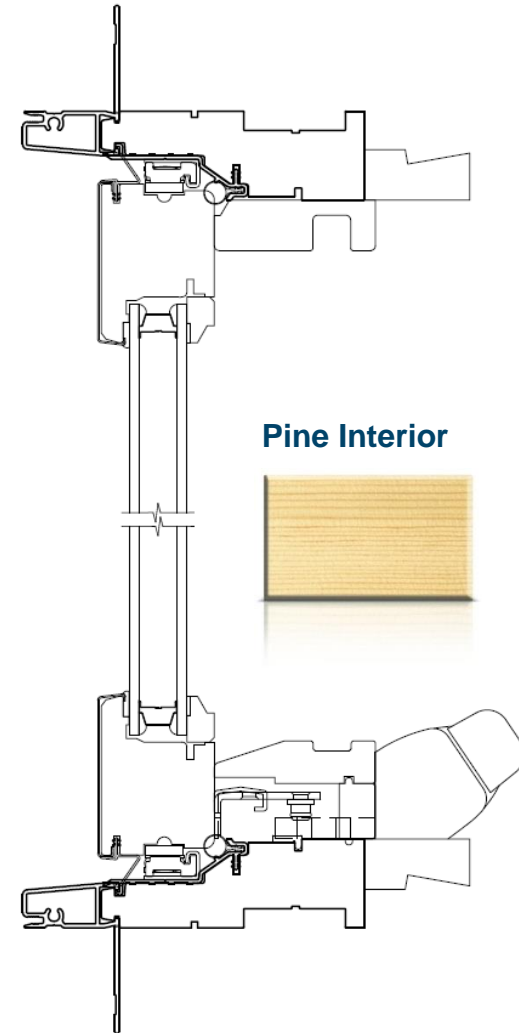
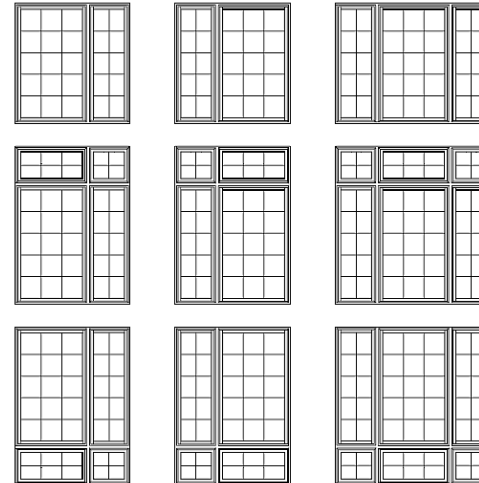
Oil-Rubbed Bronze



Brushed Chrome



Antique Brass

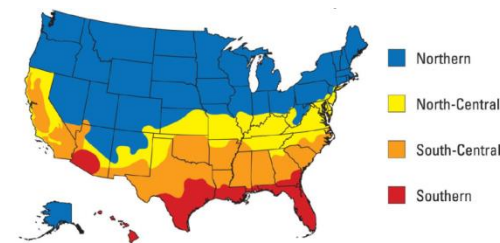


## Clad Double – Casement

ENERGY STAR® Available



PRODUCT	GLAZING	No Grid				Qualifies for Energy Star				5/8" Flat GBG, 23/32" Contoured GBG, SDL			Qualifies for Energy Star			
		U-Factor	SHGC	VT	CR	N	NC	SC	S	U-Factor	SHGC	VT	N	NC	SC	S
Clad Awning	Clear 2.2mm	0.44	0.54	0.56	45					0.44	0.49	0.50				
	Clear 3.0mm	0.43	0.53	0.55	44					0.43	0.48	0.50				
	Low-E270 2.2mm	0.31	0.25	0.47	56				X	0.31	0.23	0.43				X
	Low-E 270 3.0mm	0.31	0.25	0.47	55				X	0.31	0.23	0.42				X
	Low-E 270 Argon 2.2mm	0.28	0.25	0.47	60		X	X	X	0.28	0.23	0.43		X	X	X
	Low-E 270 Argon 3.0mm	0.28	0.25	0.47	59		X	X	X	0.28	0.23	0.42		X	X	X
	Low-E EC 3.0mm	0.27	0.25	0.46	43	X	X	X	X	0.27	0.23	0.41	X	X	X	X
	Low-E EC Argon 3.0mm	0.25	0.25	0.46	47	X	X	X	X	0.25	0.23	0.41	X	X	X	X
	Low-E EC3 3.0mm	0.27	0.19	0.42	43	X	X	X	X	0.27	0.17	0.38	X	X	X	X
	Low-E EC3 Argon 3.0mm	0.25	0.18	0.42	47	X	X	X	X	0.25	0.17	0.38	X	X	X	X
	Low-E 366 2.2mm	0.31	0.19	0.44	56				X	0.31	0.17	0.40				X
	Low-E 366 3.0mm	0.31	0.19	0.43	56				X	0.31	0.18	0.39				X
	Low-E 366 Argon 2.2mm	0.28	0.19	0.44	60		X	X	X	0.28	0.17	0.40		X	X	X
	Low-E 366 Argon 3.0mm	0.28	0.19	0.43	60		X	X	X	0.28	0.17	0.39		X	X	X
	Low-E 180 2.2mm	0.32	0.47	0.54	56					0.32	0.43	0.48				
	Low-E 180 3.0mm	0.32	0.46	0.53	55					0.32	0.42	0.48				
Low-E 180 Argon 2.2mm	0.29	0.47	0.54	60	X				0.29	0.43	0.48	X				
Low-E 180 Argon 3.0mm	0.29	0.46	0.53	59	X				0.29	0.42	0.48	X				
Clad Casement	Clear 2.2mm	0.43	0.54	0.56	45					0.43	0.49	0.50				
	Clear 3.0mm	0.43	0.53	0.55	45					0.43	0.48	0.50				
	Low-E 270 2.2mm	0.31	0.25	0.47	58				X	0.31	0.23	0.43				X
	Low-E 270 3.0mm	0.31	0.25	0.47	57				X	0.31	0.23	0.42				X
	Low-E 270 Argon 2.2mm	0.28	0.25	0.47	61		X	X	X	0.28	0.23	0.43		X	X	X
	Low-E 270 Argon 3.0mm	0.28	0.25	0.47	61		X	X	X	0.28	0.23	0.42		X	X	X
	Low-E EC 3.0mm	0.27	0.25	0.46	44	X	X	X	X	0.27	0.23	0.41	X	X	X	X
	Low-E EC Argon 3.0mm	0.25	0.25	0.46	48	X	X	X	X	0.25	0.23	0.41	X	X	X	X
	Low-E EC3 3.0mm	0.27	0.19	0.42	45	X	X	X	X	0.27	0.17	0.38	X	X	X	X
	Low-E EC3 Argon 3.0mm	0.24	0.18	0.42	48	X	X	X	X	0.24	0.17	0.38	X	X	X	X
	Low-E 366 2.2mm	0.31	0.19	0.44	58				X	0.31	0.18	0.40				X
	Low-E 366 3.0mm	0.31	0.19	0.43	57				X	0.31	0.18	0.39				X
	Low-E 366 Argon 2.2mm	0.28	0.19	0.44	62		X	X	X	0.28	0.17	0.40		X	X	X
	Low-E 366 Argon 3.0mm	0.28	0.19	0.43	61		X	X	X	0.28	0.17	0.39		X	X	X
	Low-E 180 2.2mm	0.32	0.47	0.54	57					0.32	0.43	0.48				
	Low-E 180 3.0mm	0.32	0.46	0.53	56					0.32	0.42	0.48				
Low-E 180 Argon 2.2mm	0.29	0.47	0.54	60	X				0.29	0.43	0.48	X				
Low-E 180 Argon 3.0mm	0.29	0.46	0.53	60	X				0.29	0.42	0.48	X				



Note: A complete list of ENERGY STAR Climate Zones by state and county or, where applicable, zip code is available at [https://www.energystar.gov/index.cfm?i=useaction/windows\\_doors\\_search\\_climate](https://www.energystar.gov/index.cfm?i=useaction/windows_doors_search_climate)

### Windows

Climate Zone	U-Factor <sup>1</sup>	SHGC <sup>2</sup>		
Northern*	≤ 0.27	Any	Prescriptive	
	= 0.28	≥ 0.32	Equivalent Energy Performance	
		= 0.29		≥ 0.37
		= 0.30		≥ 0.42
North-Central	≤ 0.30	≤ 0.40		
South-Central	≤ 0.30	≤ 0.25		
Southern	≤ 0.40	≤ 0.25		

Air Leakage ≤ 0.3 cfm/ft<sup>2</sup>

## Added Diversity and Flexibility

- Neat®
- Preserve®
- 9 Exterior Clad Colors
  - AAMA 2603
- Standard & Custom Sizes
- 7 Hardware Finishes
- ENERGY STAR®
- WOCD
- 6 SDL Bars / 2 Grill Profiles
- Exterior Clad Trim
- UltraVue® Screen
- 6 Interior Wood Finishes
- FSC® & SFI® Wood

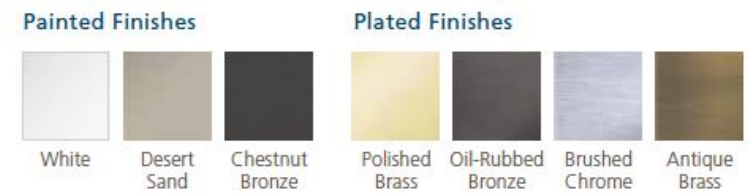
Prefinished Interiors



9 Cladding Colors  
STANDARD COLORS



7 Hardware Finishes



Window Opening Control Devices





# W2500™ & W3500™ Window Lines

## Questions?

High Quality & Performance Designs  
Full Offering / The Differences are the Standards & Options

- W2500™
  - W3500™
  - W4500™
- } 20 Year Limited Warranty

### ■ W-2500™ High Quality Standard Line

Most Popular Designs, Options & Standard Sizes

- Double-Hung
  - Natural & Primed
  - Clad Unit / W-2500
- Casement & Awning
  - Clad Only
- Patio Doors / Sliding & Swing

### ■ W-3500™

More Options, Heaver Look & Custom Sizes

- W2500™ Frame / Heavier Tradition Sash
- Clad Units
- Double-Hung, Casements, & Awnings

W2500™



W3500™



## W2500™ & W3500™ Patio Door Overview

---

Can we please get you input here on what Patio Doors are available, operating styles, basic options, etc.; for Patio Doors available within W-2500 and W-3500 lines

# W2500™ & W3500™ Window Line Review

Awnings, Casements, Double-Hung & Patio Doors

