

ARETHA FRANKLIN ADMIN

2600 ATWATER ST. DETROIT, MI 48207

SHOP DRAWING PACKAGE

PREFERRED
GLASS INC.

6215 KING RD.
MARINE CITY, MICHIGAN 48039
P: 810.420.0753
F: 810.420.0754



www.MPDRAFTING.com
P: 248.522.7096
F: 248.522.7030

ARCHITECT:

ARCHITECT NOTE:
ALL NOTES REQUESTING VERIFICATION,
CONFIRMATION, OR INFORMATION THAT ARE
NOT ANSWERED ARE ASSUMED TO BE
CORRECT AS SHOWN ON THESE DRAWINGS.

STAMPS/
SUBMITTALS:

REVISION	DATE
0	01.04.23
1	02.22.23
-	-
-	-
-	-

PROJECT NUMBER:
22-295

PROJECT NAME:
ARETHA FRANKLIN
ADMIN

SHEET DESCRIPTION:
COVER SHEET

SHEET:
C1

GLAZING SCHEDULE

GL-1	1/4" SN68 #2 TEMPERED 1/2" AIRSPACE (MILL SPACER) 1/4" CLEAR TEMPERED COATING: NONE

SYSTEM NOTES

SYSTEMS TYPES
SYSTEM #1: TUBELITE T14000 1 (2" X 4 1/2") STOREFRONT SYSTEM
SYSTEM #2: TUBELITE CVW 3700 CONCEALED VENT WINDOW

METAL FINISHES
CLASS 2 CLEAR ANODIZED

SEALANT TYPES
TBD

STRUCTURE BY OTHERS
THE BUILDING STRUCTURE AND COMPONENTS THEREOF MUST BE CAPABLE OF SAFELY CARRYING THE LOADS IMPOSED UPON IT BY THE SYSTEMS DETAILED, INCLUDING BUT NOT LIMITED TO DEAD LOADS OF THE SYSTEMS, WIND LOADINGS, THERMAL LOADINGS, SEISMIC LOADINGS, SNOW LOADINGS AND LIVE LOADINGS.

NOTES:
THESE SHOP DRAWINGS HAVE BEEN PREPARED BASED ON ARCHITECTURAL DRAWINGS: 12.19.22

ENGINEERING

P.E. STRUCTURAL REVIEW INCLUDED: YES NO

TYPICAL ENGINEERING NOTE:

ENGINEERING REVIEW (IF REQUIRED) WILL BE PROVIDED AFTER 1ST SUBMITTAL APPROVAL OF THESE SHOP DRAWINGS. ALL APPLICABLE INFORMATION BELOW, SYSTEM REVIEW, REINFORCEMENT, FASTENERS, LOADS, ETC. WILL BE PROVIDED AT THAT TIME.

ARCHITECT NOTE: PLEASE VERIFY ALL INFORMATION BELOW

DESIGN LOADS: (PER ----)
BASIC WINDSPEED: -
IMPORTANCE FACTOR: -
EXPOSURE CATEGORY: -
BUILDING HEIGHT: -
TYPICAL WINDLOAD: -
CORNER WINDLOAD: -
SNOW LOADS: -
ALLOWABLE DEFLECTION: - L/175 (SPAN < 13'-6"), L/240+1/4" (SPAN >= 13'-6")

SYMBOLS

- GLAZING IDENTIFICATION	- WORK POINT
- DETAIL IDENTIFICATION /PAGE NUMBER	- ELEVATION BENCHMARK
- COLUMN LINE	- DEAD LOAD ANCHOR
- SECTION	- WIND LOAD ANCHOR
- VIEW	- REVISION NUMBER CALL-OUT
- SCHEDULED HARDWARE	- STEEL CALL-OUT

R.O. - ROUGH OPENING	N.T.S. - NOT TO SCALE
D.O. - DOOR OPENING	F.F. - FINISH FLOOR
D.L.O. - DAY LIGHT OPENING	V.I.F. - VERIFY IN FIELD
S.F.O. - STOREFRONT OPENING	DL - DEADLOAD
C.W.O. - CURTAINWALL OPENING	WL - WINDLOAD
G.S. - GLASS SIZE	E.O.G - EDGE OF GLASS
F.S. - FRAME SIZE	T/O - TOP OF
W.P. - WORK POINT	B/O - BOTTOM OF
CL - CENTER LINE	REF. - REFERENCE

SHEET INDEX

C1	COVER SHEET
E1	ELEVATION
D1 THRU D2	DETAILS

DIMENSION VERIFICATION

FIELD VERIFIED:
GUARANTEED DIMENSIONS:

DRAWING NOTES

- MP DRAFTING & DESIGN AND THE CUSTOMER WILL ASSUME NO RESPONSIBILITY FOR ERRORS RESULTING FROM THE USE OF THESE DRAWINGS BY OTHER TRADES.
 - FINAL APPROVAL BY THE GENERAL CONTRACTOR CONSTITUTES ACCEPTANCE OF ALL DEVIATIONS TO THE CONTRACT DOCUMENTS MADE BY MP DRAFTING & DESIGN AND THE CUSTOMER IN THESE DRAWINGS.
 - THESE DRAWINGS REPRESENT MP DRAFTING'S AND THE CUSTOMER'S INTERPRETATION OF THE APPLICATION OF PRODUCTS TO THIS PROJECT IN FUNCTIONAL COMPLIANCE WITH THE ARCHITECT'S DRAWINGS AND SPECIFICATION. IT IS IMPORTANT THAT THIS INTERPRETATION BE REVIEWED DIMENSIONALLY AND FUNCTIONALLY WITH RESPECT TO ACTUAL ARCHITECT'S INTENT, INTERFACING CONDITIONS, MATERIAL AND JOB SITE CONDITIONS.
 - ALL DIMENSIONS SHALL BE FIELD VERIFIED AND/OR APPROVED BY THE GENERAL CONTRACTOR PRIOR TO GLASS ORDERING AND FABRICATION. MP DRAFTING & DESIGN AND THE CUSTOMER WILL ASSUME NO RESPONSIBILITY FOR DIMENSIONAL ERRORS OR CHANGES RESULTING FROM FIELD CORRECTIONS.
 - PROJECT MATERIALS MUST BE PROTECTED IMMEDIATELY FROM STAINING BY WET CARDBOARD PAPER AND FROM THE ACTION OF HARSH ALKALIS AND SAND IN CONCRETE, STUCCO, MORTAR OR PLASTER. THE SETTING OF THE PROJECT MATERIALS REQUIRES THE GENERAL CONTRACTOR TO CLOSELY SUPERVISE OTHER TRADES SO AS TO PREVENT MARRING OR DISCOLORATION FROM ANY CAUSE.
 - ALL SEALANT JOINTS SHOULD BE SEALED WATERTIGHT FOLLOWING THE SEALANT MANUFACTURER'S RECOMMENDATIONS AS TO SIZE, METHOD OF APPLICATION AND COMPATIBILITY WITH ADJOINING MATERIALS.
 - ALL FRAMING SYSTEMS SHALL BE FABRICATED & INSTALLED PER THE MANUFACTURER'S INSTRUCTIONS.
 - THE ROUGH OPENINGS PROVIDED MUST BE SQUARE AND WITHIN SPECIFIED BUILDING TOLERANCES.
 - PERIMETER SUBSTRATE MUST BE CAPABLE OF WITHSTANDING REACTION FORCES IMPOSED BY DESIGN LOADS.
 - ALL FASTENING INFORMATION TO BE VERIFIED ON SITE BY CUSTOMER FOR VARIATION FROM SHOP DRAWINGS. ALL FASTENERS SHOWN FOR REFERENCE ONLY UNLESS SPECIFICALLY CALLED OUT BY PROFESSIONAL ENGINEER.
 - LAWS AND BUILDING AND SAFETY CODES GOVERNING THE DESIGN AND USE OF GLAZING ENTRANCE, WINDOW AND CURTAIN WALL PRODUCTS VARY WIDELY. MP DRAFTING & DESIGN AND THE CUSTOMER DOES NOT CONTROL THESE SELECTION OF PRODUCT CONFIGURATIONS, OPERATING HARDWARE OR GLAZING MATERIALS AND ASSUMES NO RESPONSIBILITY.
 - SEE CUSTOMER'S QUOTATION FOR ANY EXCLUDED ITEMS NOT NOTED WITHIN.
- PROPRIETARY NOTICE:**
THIS DRAWING SHEET AND CONTENTS HEREIN ARE PROPERTY OF MP DRAFTING & DESIGN AND ITS CUSTOMERS. USE OF THESE DRAWINGS, ITS CONTENT AND DESIGN CONCEPTS ARE INTENDED FOR THE USE OF THE INTENDED RECIPIENT. MP DRAFTING & DESIGN AND ITS CUSTOMERS ARE NOT RESPONSIBLE FOR USE BY OTHER PARTIES.

REVISIONS

REV	DESCRIPTION	DATE	BY
0	1ST SUBMITTAL	01.04.23	EJL
1	2ND SUBMITTAL	02.22.23	EJL

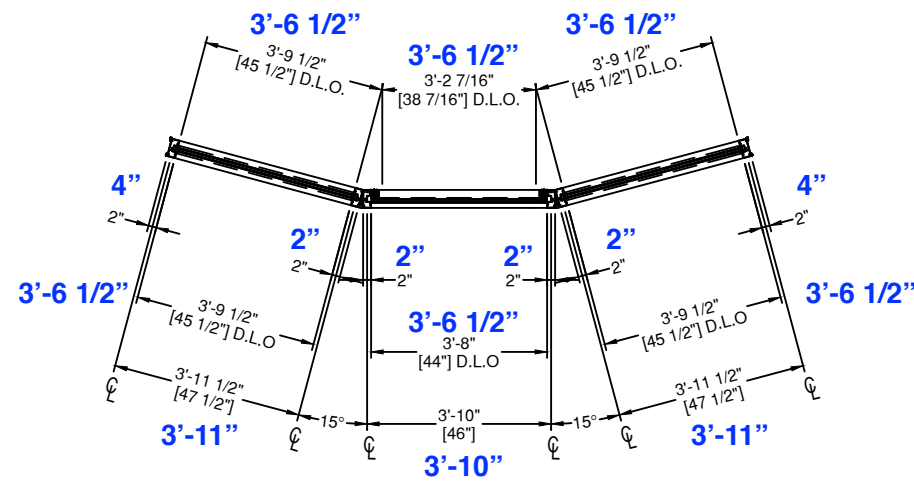
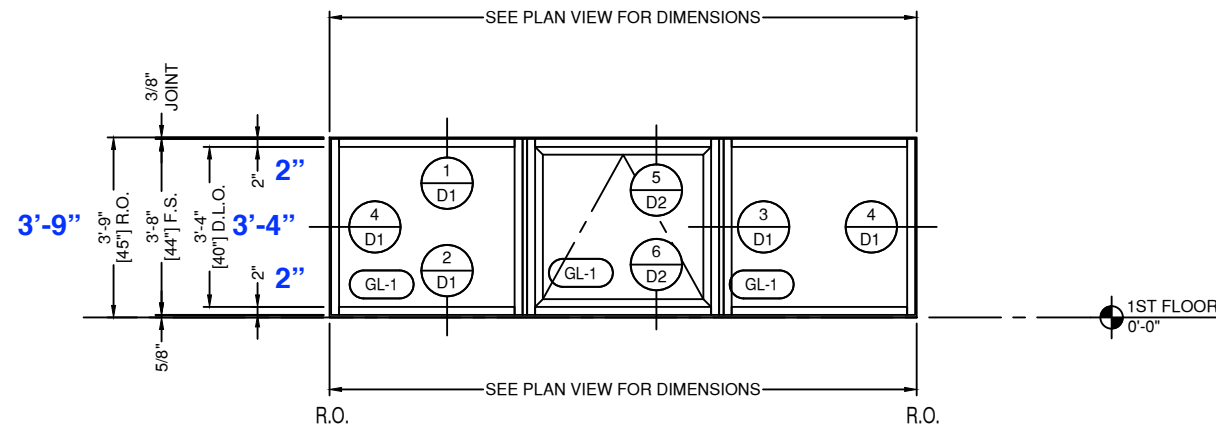
NOTE SYMBOL KEY

ARCHITECT NOTE	ENGINEERING NOTE ENGINEER OF RECORD OR DELEGATED DESIGN
GLAZING CONTRACTOR OR PROJECT MANAGER NOTE	FABRICATOR OR INSTALLER NOTE

NOTE:
ALL DIMENSIONS TO BE FIELD
VERIFIED PRIOR TO FABRICATION

Existing Dimensions in Blue

Note: Center Window Panel
to Open Awning Style;
Hinged from the Top



1 ELEVATION 1
E1

DRAWING SCALE
24x36: 1/2" = 1'-0"
11x17: 1/4" = 1'-0"

THUS REQD: 4
OPP REQD: 0
TOTAL REQD: 4

ARCH. REF.
XXX

TUBELITE T1400 SERIES 2"X4-1/2" S.F.
TUBELITE CW 37000 OPERABLE WINDOW
FINISH: CLEAR ANODIZED

PREFERRED
GLASS INC.

6215 KING RD.
MARINE CITY, MICHIGAN 48039
P: 810.420.0753
F: 810.420.0754

MP drafting
& design

www.MPDRAFTING.com
P: 248.522.7096
F: 248.522.7030

ARCHITECT:

ARCHITECT NOTE:
ALL NOTES REQUESTING VERIFICATION,
CONFIRMATION, OR INFORMATION THAT ARE
NOT ANSWERED ARE ASSUMED TO BE
CORRECT AS SHOWN ON THESE DRAWINGS.

STAMPS/
SUBMITTALS:

REVISION	DATE
0	01.04.23
1	02.22.23
-	-
-	-
-	-

PROJECT NUMBER:
22-295

PROJECT NAME:
ARETHA FRANKLIN
ADMIN

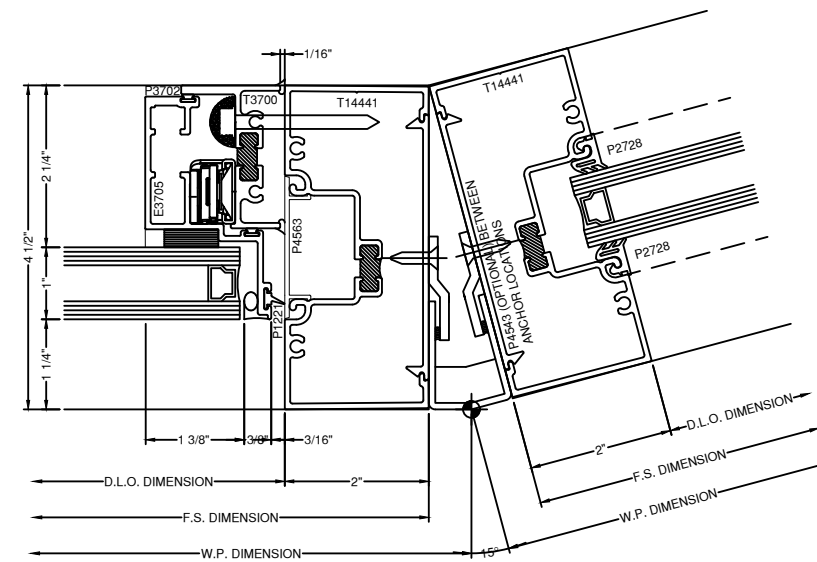
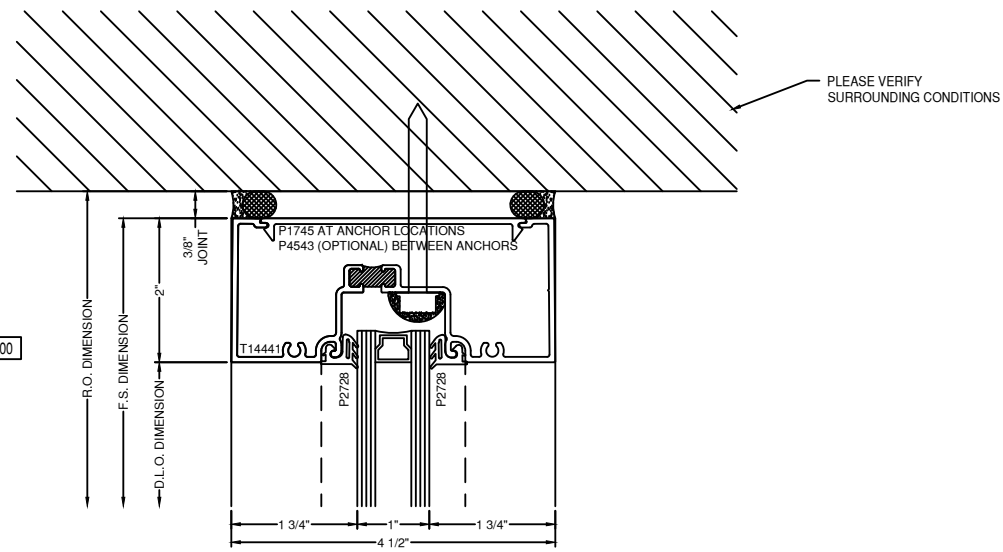
SHEET DESCRIPTION:
ELEVATIONS

SHEET:
E1

NOTE:
FASTENERS SHOWN FOR LOCATION
REFERENCE ONLY. FASTENER TYPE, SIZE
AND SPACING ARE TO BE DETERMINED
BY THE PROFESSIONAL ENGINEER.

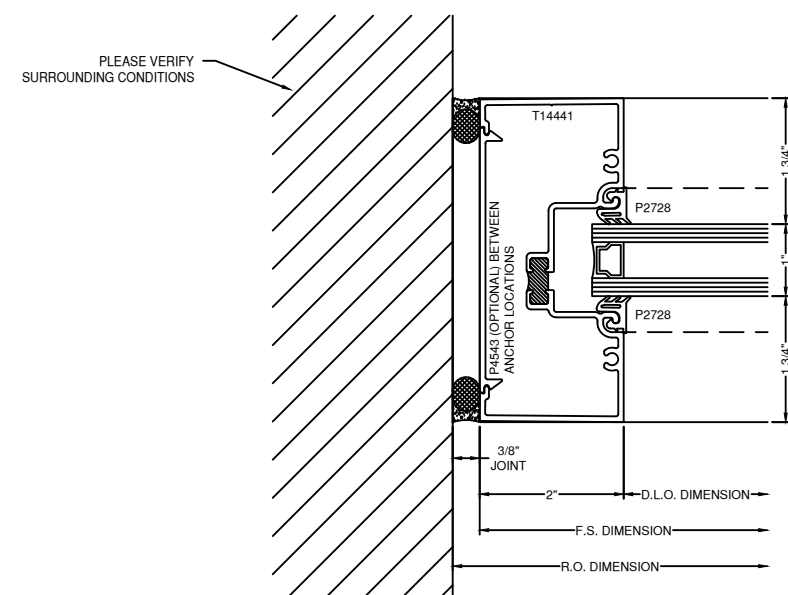
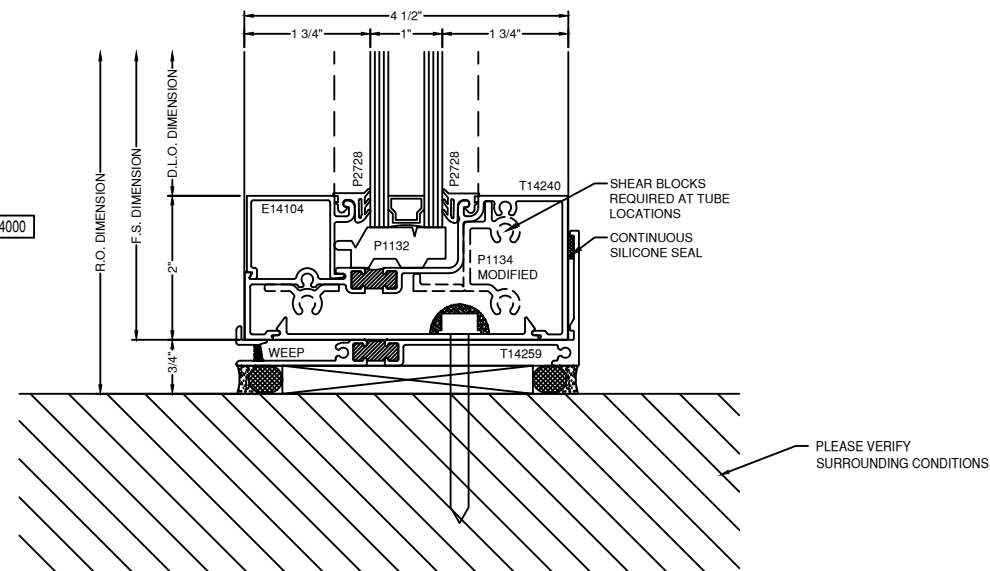
NOTE:
ALL DIMENSIONS TO BE FIELD
VERIFIED PRIOR TO FABRICATION

1 HEAD DETAIL
DRAWING SCALE
24x36: FULL
11x17: HALF



3 CORNER DETAIL
DRAWING SCALE
24x36: FULL
11x17: HALF

2 SILL DETAIL
DRAWING SCALE
24x36: FULL
11x17: HALF



4 JAMB DETAIL
DRAWING SCALE
24x36: FULL
11x17: HALF

PREFERRED
GLASS INC.

6215 KING RD.
MARINE CITY, MICHIGAN 48039
P: 810.420.0753
F: 810.420.0754

MP drafting
& design
www.MPDRAFTING.com
P: 248.522.7096
F: 248.522.7030

ARCHITECT:

ARCHITECT NOTE:
ALL NOTES REQUESTING VERIFICATION,
CONFIRMATION, OR INFORMATION THAT ARE
NOT ANSWERED ARE ASSUMED TO BE
CORRECT AS SHOWN ON THESE DRAWINGS.

STAMPS/
SUBMITTALS:

REVISION	DATE
0	01.04.23
1	02.22.23
-	-
-	-
-	-

PROJECT NUMBER:
22-295

PROJECT NAME:
ARETHA FRANKLIN
ADMIN

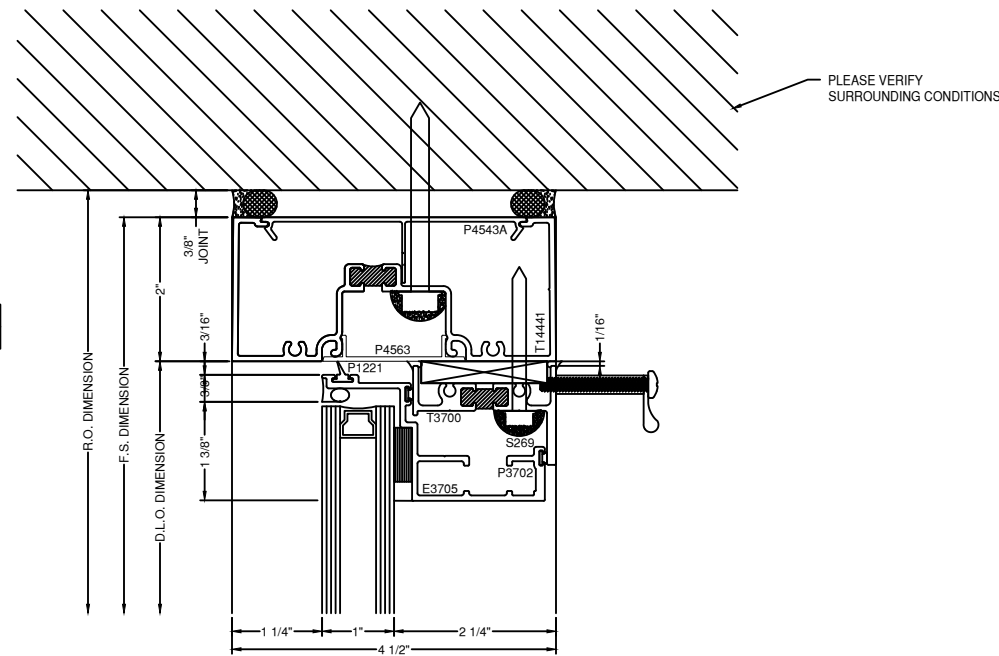
SHEET DESCRIPTION:
DETAILS

SHEET:
D1

NOTE:
FASTENERS SHOWN FOR LOCATION
REFERENCE ONLY. FASTENER TYPE, SIZE
AND SPACING ARE TO BE DETERMINED
BY THE PROFESSIONAL ENGINEER.

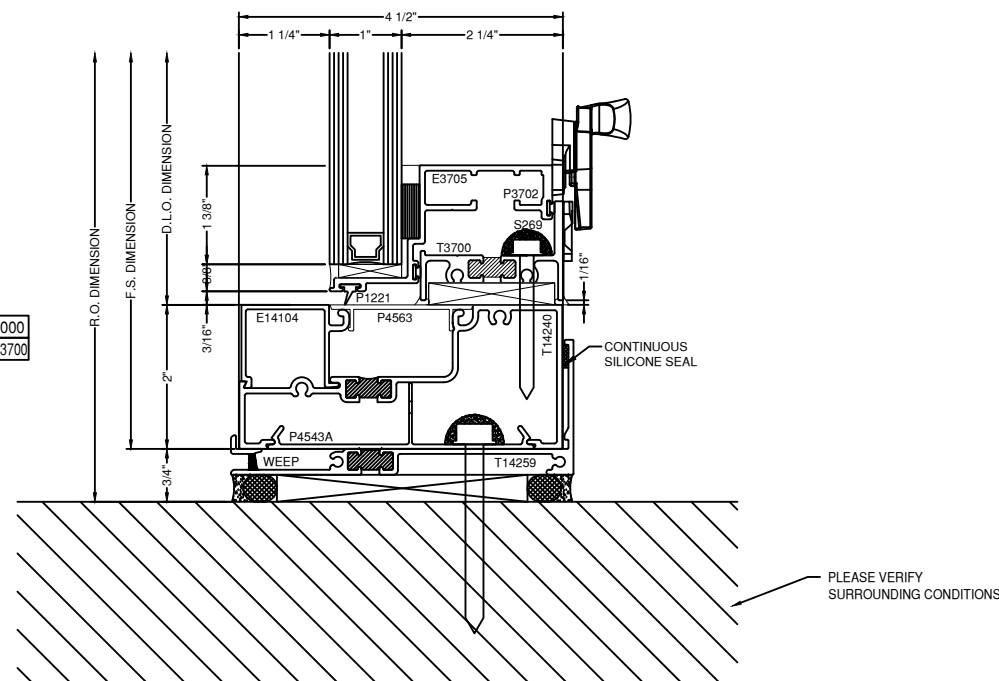
NOTE:
ALL DIMENSIONS TO BE FIELD
VERIFIED PRIOR TO FABRICATION

5 HEAD DETAIL
DRAWING SCALE
24x36: FULL
11x17: HALF
T14000
CVW3700



PLEASE VERIFY
SURROUNDING CONDITIONS

6 SILL DETAIL
DRAWING SCALE
24x36: FULL
11x17: HALF
T14000
CVW3700



PLEASE VERIFY
SURROUNDING CONDITIONS

PREFERRED GLASS INC.

6215 KING RD.
MARINE CITY, MICHIGAN 48039
P: 810.420.0753
F: 810.420.0754

MP drafting
& design

www.MPDRAFTING.com
P: 248.522.7096
F: 248.522.7030

ARCHITECT:

ARCHITECT NOTE:
ALL NOTES REQUESTING VERIFICATION,
CONFIRMATION, OR INFORMATION THAT ARE
NOT ANSWERED ARE ASSUMED TO BE
CORRECT AS SHOWN ON THESE DRAWINGS.

STAMPS/
SUBMITTALS:

REVISION	DATE
0	01.04.23
1	02.22.23
-	-
-	-
-	-

PROJECT NUMBER:
22-295

PROJECT NAME:
**ARETHA FRANKLIN
ADMIN**

SHEET DESCRIPTION:
DETAILS

SHEET:
D2