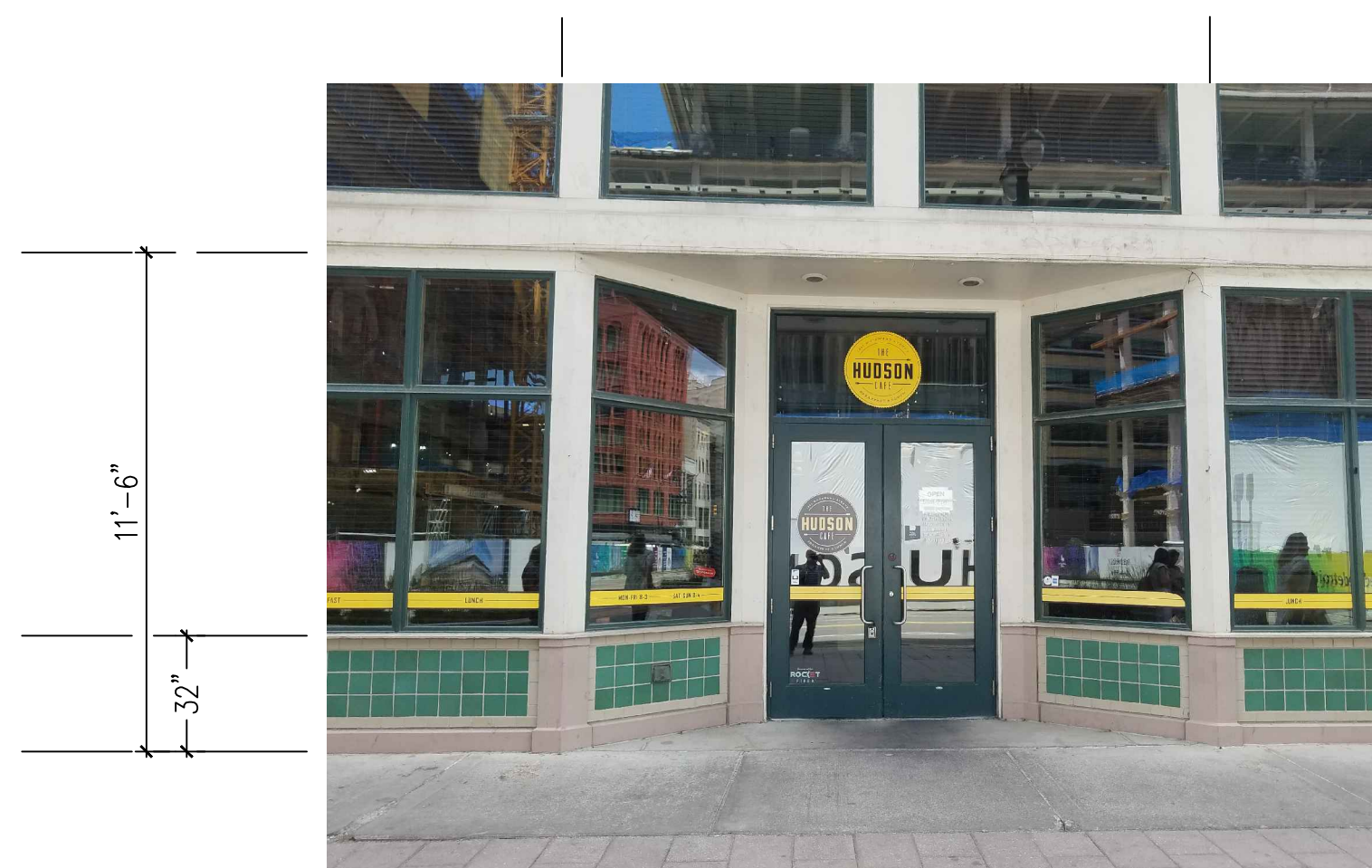
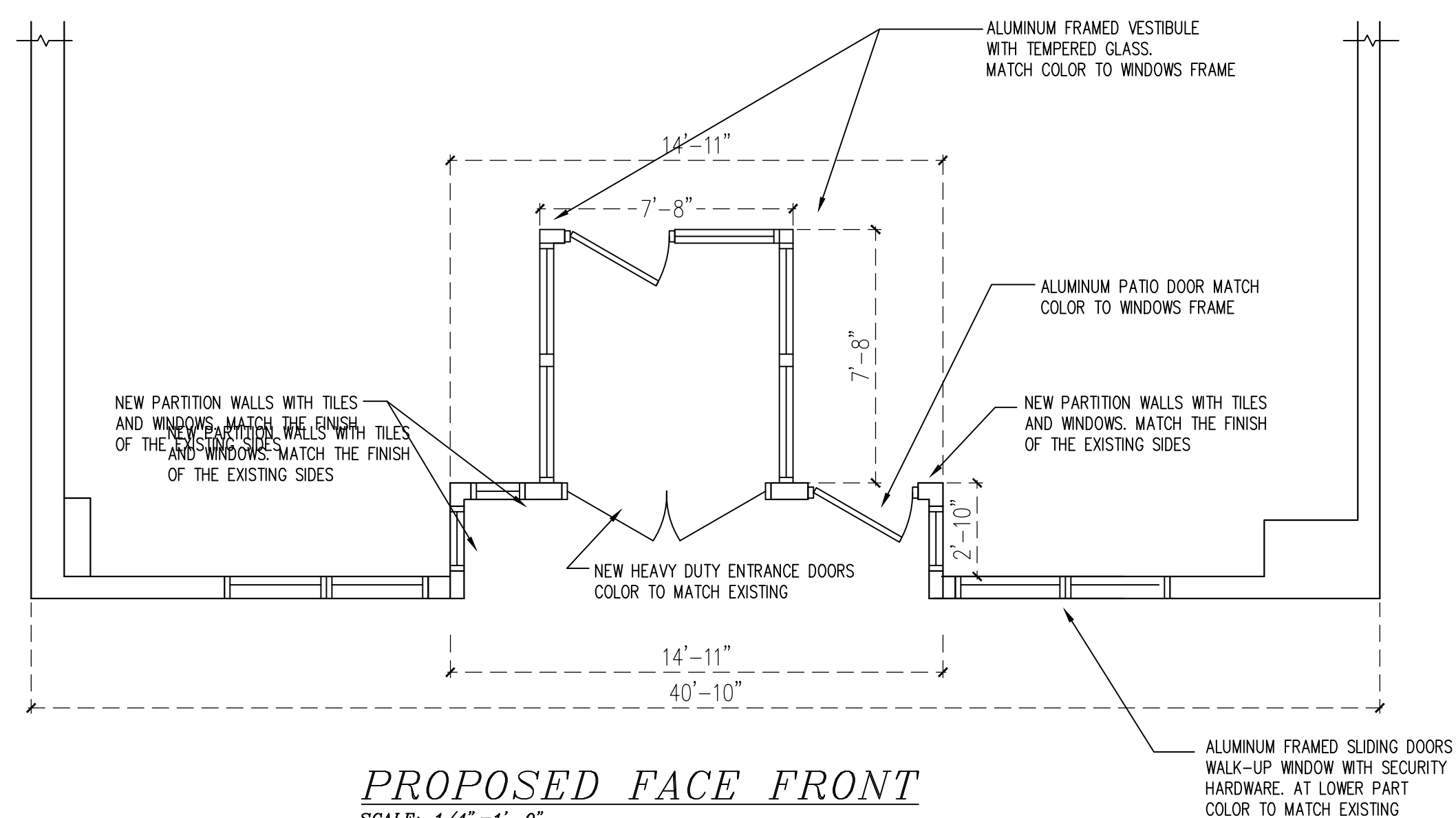


EXISTING FACE FRONT
SCALE: 1/4"=1'-0"



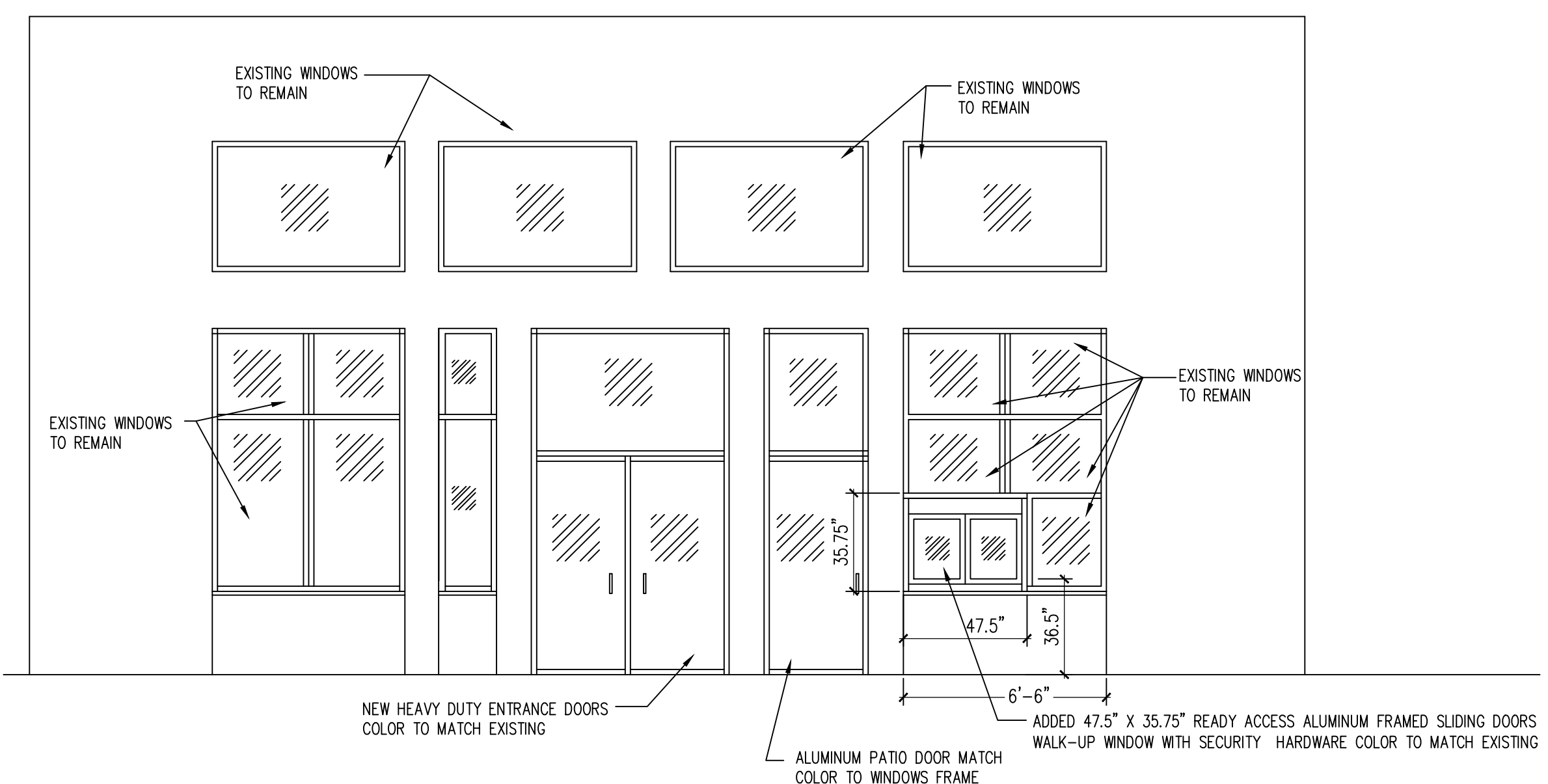
EXISTING FACE FRONT



PROPOSED FACE FRONT
SCALE: 1/4"=1'-0"



PROPOSED FACE FRONT SCALE: 1/4"=1'-0"



PROPOSED ADDED WALK-UP WINDOW DETAILS SCALE: 1/4"=1'-0"

PROJECT: NAME & LOCATION

THE HUDSON CAFE
1241 WOODWARD AVE.
DETROIT, MI. 48226

MI ENGINEERING LLC/
MI ASSOCIATES, INC.

4814 KORTE STREET
DEARBORN, MI. 48126
PH: (313) 802-7707
miadesign@sbcglobal.net

ORIGINAL SUBMITTAL

06-30-2022

REVISIONS:

REV-1:10-10-2022

SCALE: AS NOTED

SHEET TITLE
NEW FACE FRONT ELEVATIONS
AND DETAILS PLANS

3/7

SEAL

