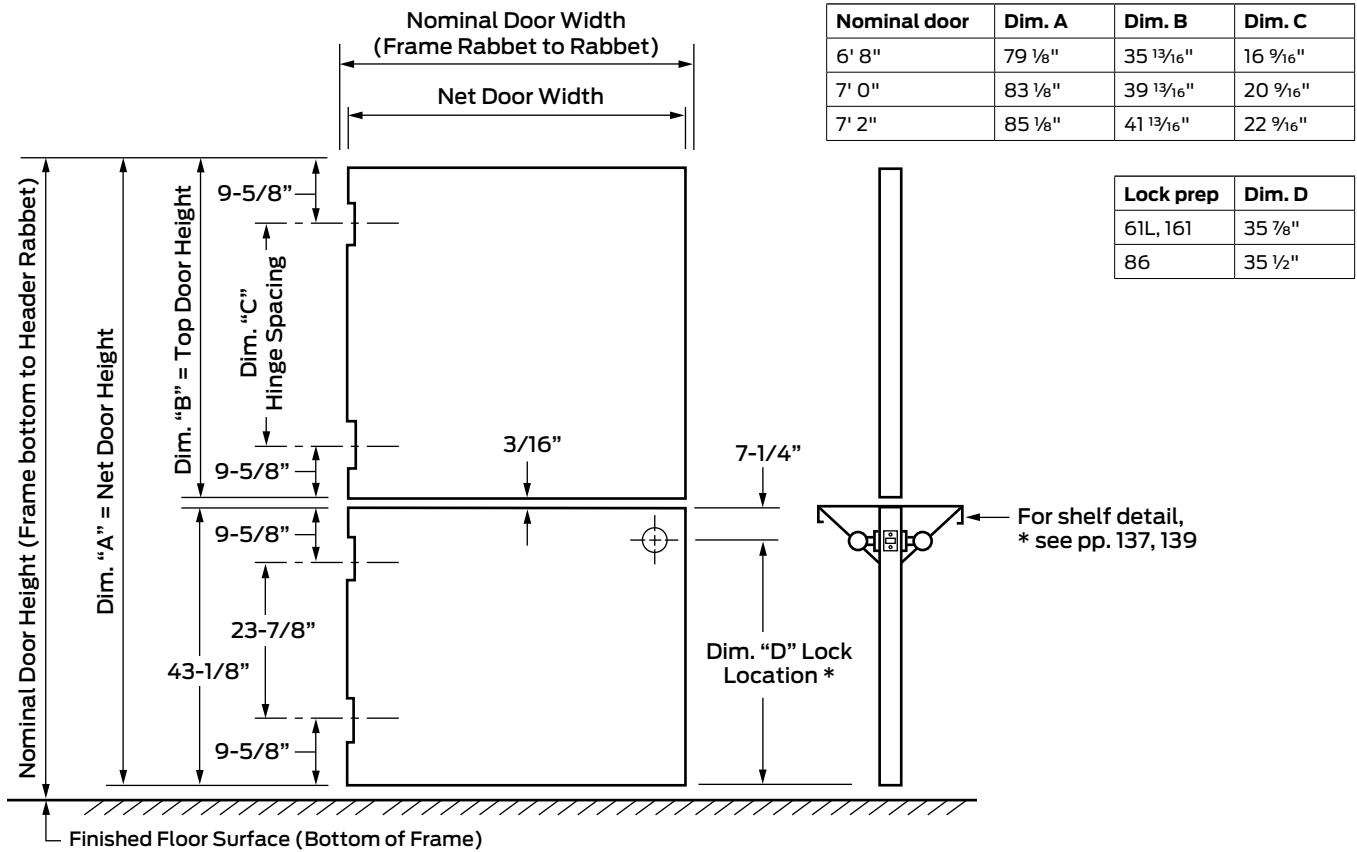


Dutch doors

Non-labeled



Purpose

The dutch door design incorporates two separate door leaves, hung one over the other, and mounted into a single swing opening. Both leaves can operate separately. The bottom leaf latches into the strike jamb of the frame.

When specified, the lower leaf can include a dutch door shelf (see "Dutch doors full shelf (non-labeled door)" detail on page 137).

Application

- Usually installed in storage room applications
- Hardware applications:
 - Bottom leaf—prepared for one (1) Government 161, 61L or Government 86 lock.
- Top leaf locking option:
 - Standard: Surface applied bolt engaging bottom leaf
 - Option: Government 161 lock preparation latching into strike jamb
 - Option: Government 161 lock preparation latching into top of bottom leaf (see "Dutch doors (labeled)" on page 138).
 - Top door leaf may be equipped with a 14 gauge closer reinforcement as an option

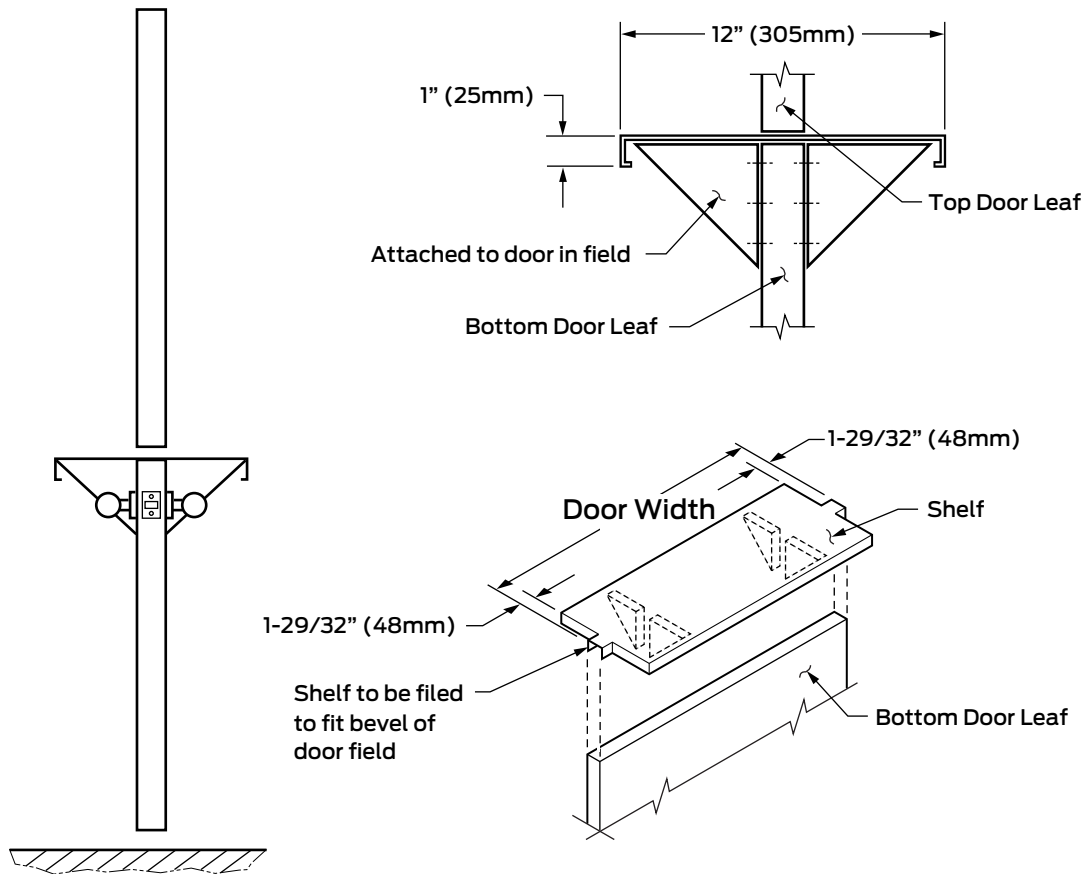
Notes

- Sizes available from 2' 0" (610 mm) x 6' 8" (2032 mm) thru 4' 0" (1219 mm) x 7' 2" (2184 mm)
 - Single Swing applications only: no double door configurations
- Glass lights are limited to one 100 square inch light in top leaf
- High Frequency Hinge Reinforcements are installed at the top hinge of each door leaf

Product availability

This product option is available on L and B Series doors.

Full shelf (non-labeled)



Application

Non-labeled dutch doors applications.

The 12" (305 mm) wide 16 gauge full shelf and brackets for non-labeled doors, or the 7" (178 mm) wide half shelf and brackets (see "Dutch doors (labeled)" on page 138) is shipped loose from the factory and is to be field attached to the bottom door leaf with the supplied No. 10 x 3/4" (19 mm) Bugle Head Sheet Metal Screws.

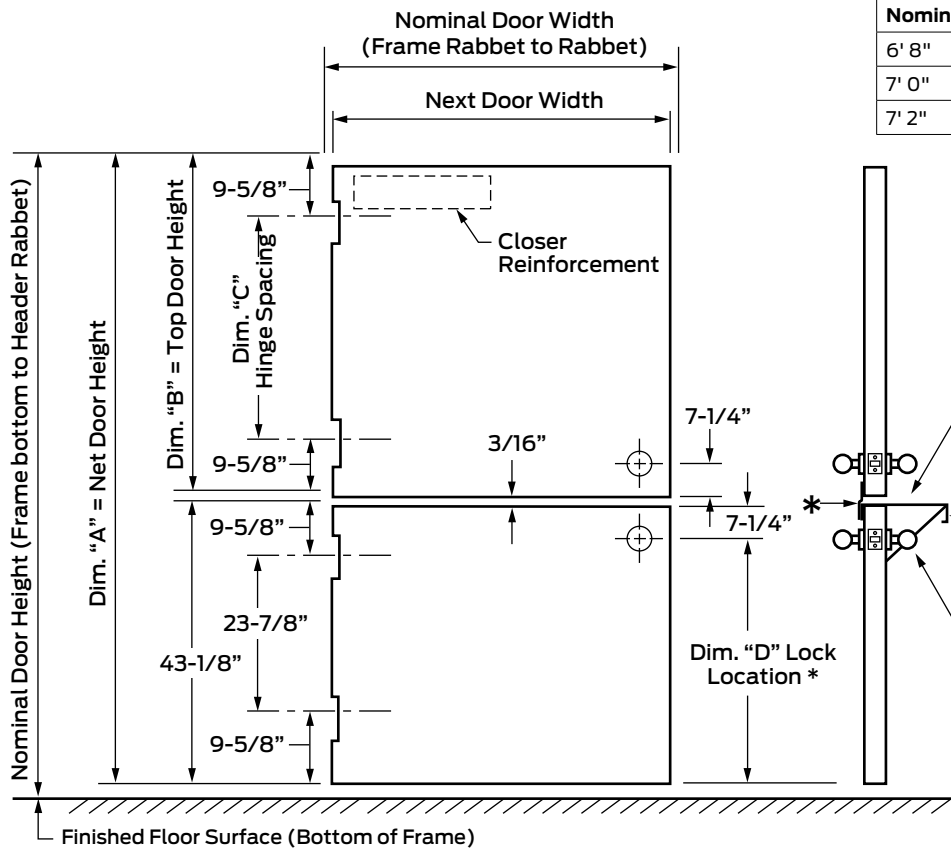
Purpose

Dutch door shelves are not supplied with dutch doors unless specified. When the top leaf is opened, the bottom leaf and shelf act as a counter that can be used for multiple uses. If the dutch door shelf (full or half shelf) is not used, the top of the bottom leaf specify a steel top cap installed.

Product availability

The full and half shelf can be used on Steelcraft L and B Series non-labeled doors. Shelves are furnished factory prime painted.

Labeled



Nominal door	Dim. A	Dim. B	Dim. C
6' 8"	79 1/8"	35 13/16"	16 9/16"
7' 0"	83 1/8"	39 13/16"	20 9/16"
7' 2"	85 1/8"	41 13/16"	22 9/16"

Lock prep	Dim. D
61L, 161	35 7/8"
86	35 1/2"

Note: Top leaf must have a listed 161 or 61L lock latching into either the strike jamb or the bottom leaf. Deadbolts, flushbolts, surface bolts or mortise 86 locks are not approved.

For shelf detail, see page 132.

Note: Bottom leaf must have A listed 161, 61L, or 86 Lock latching into the strike jamb.

***Note:** Astragal required on top leaf

Purpose

Fire labeled dutch door design incorporates two separate door leaves, hung one over the other, and mounted into a single swing opening. Both leaves can operate separately. The bottom leaf must latch into the strike jamb of the frame. The top leaf must latch into either the strike jamb or into the top leaf.

When specified, the lower leaf can include a dutch door half shelf (see "Dutch Door Full Shelf", detail on page 137).

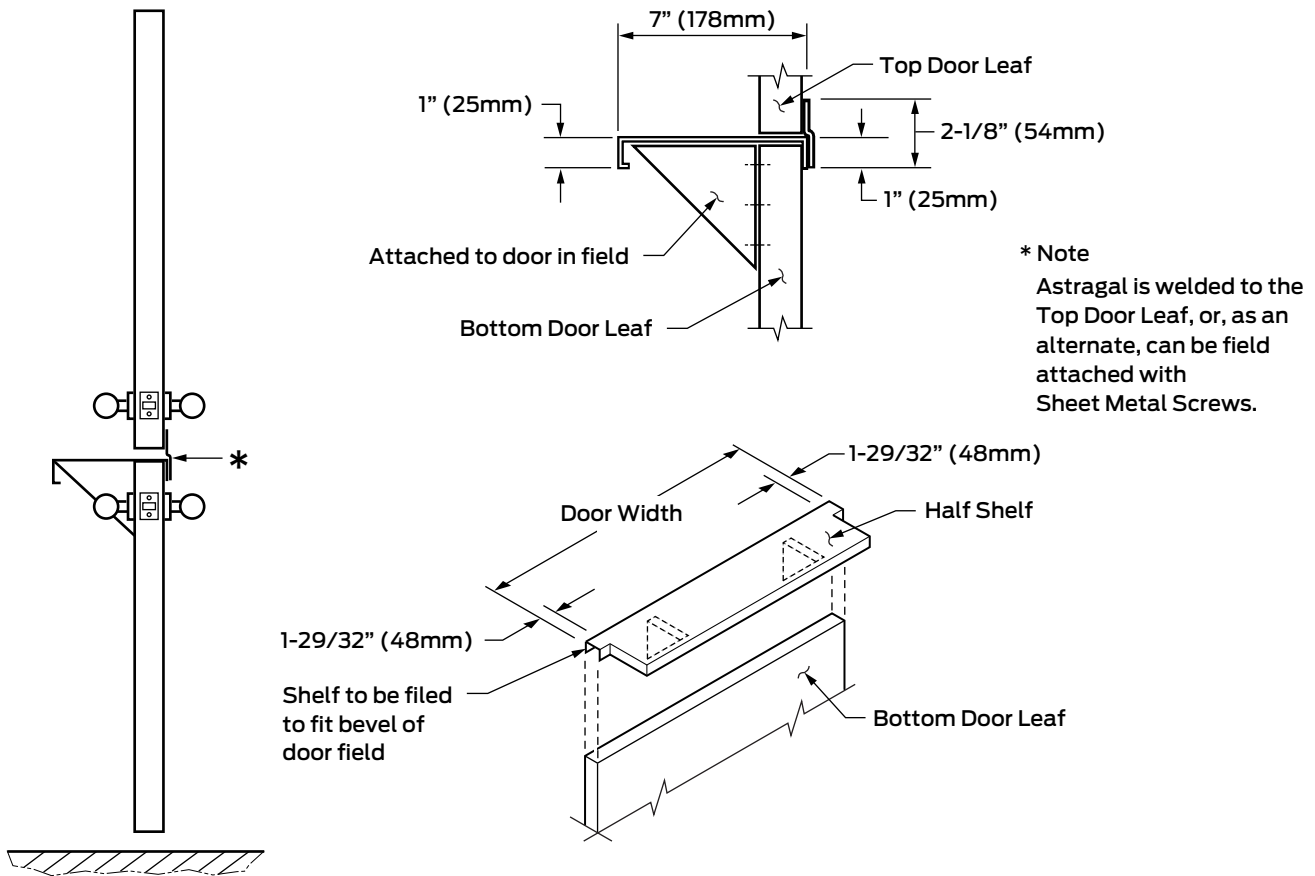
Application

- Single Swing applications only: no double door configurations
- High Frequency Hinge Reinforcements are installed at the top hinge of each door leaf
- Labeled dutch door openings must have two (2) locks:
 - Standard: Both locks latching into jambs
 - Optional:
 1. Top lock latching into top of bottom leaf
 2. Bottom lock latching into jamb
 3. See "Dutch Door: Optional Lock Preparation" on page 140
- Top door leaf must be equipped with a closer reinforcement
- Maximum size for 3 Hour Fire Rating: 4' 0" (1219 mm) x 7' 2" (2184 mm)
- Limited to one 100 square inch light in top leaf only for 1 1/2 hour fire rating

Product availability

- This product option is available for Steelcraft L and B Series steel stiffened doors. See the Fire rated products section for additional information.

Half shelf (labeled)



Purpose

Dutch door shelves are not supplied with dutch doors unless specified. When the top leaf is opened, the bottom leaf and shelf act as a counter. If the dutch door shelf (half shelf) is not used, it is recommended that the bottom leaf includes a steel top cap installed.

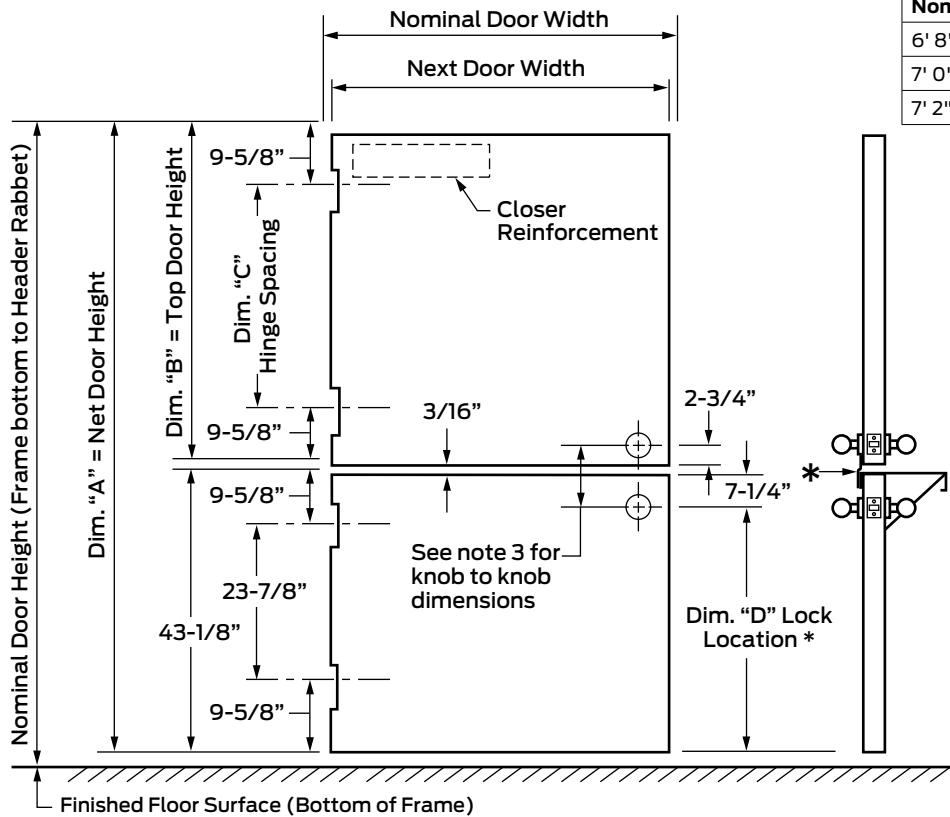
Application

Labeled and non-labeled fire rated dutch door assemblies
 The 7" wide (178 mm) 16 gauge (1.3 mm) half shelf and brackets for Labeled doors is shipped loose from the factory and is to be field attached to the bottom door leaf with the supplied No. 10 x 3/4" (19 mm) Bugle Head Sheet Metal Screws. The astragal is factory welded to the top door leaf.

Product availability

The half shelf can be used on Steelcraft L and B Series labeled or non-labeled doors. The shelf is furnished factory prime painted.

Optional lock preparation



Nominal door	Dim. A	Dim. B	Dim. C
6' 8"	79 1/8"	35 13/16"	16 9/16"
7' 0"	83 1/8"	39 13/16"	20 9/16"
7' 2"	85 1/8"	41 13/16"	22 9/16"

Lock prep	Dim. D
61L, 161	35 7/8"
86	35 1/2"

*** Notes:**

1. Top leaf must have a listed 161 for latching into bottom leaf
2. Bottom leaf must have 161, 61L or 86 lock latching into the strike jamb
3. Knob to knob location will vary depending on latching devices used.
 - 10 3/16" if 161 top leaf X 161 or 61L in bottom leaf
 - 12 1/16" approx. if 161 in top leaf X 86 in bottom leaf
4. Astragal required on top leaf.
5. See "Dutch doors full shelf (non-labeled door)" detail on 132.

Purpose

In the interest of expedient transition through the path of the means of egress, a single lock operation of latch bolt retraction becomes paramount. By choosing this preparation, the only lock operation required to retract the latch bolt is found at the standard lock location on the bottom leaf.

Application

Labeled and non-labeled fire rated dutch door assemblies. This alternative lock preparation combination is Fire Rated up to 3 hours. The top leaf is limited to a Government 161 lock preparation. The bottom leaf may be prepared for a Government 86, 61L or 161 lock. The latch bolt of the lock in the top leaf projects into a cylindrical strike attached to the strike preparation in the top of the bottom leaf, eliminating one strike preparation in the jamb. This optional lock preparation must be specified when ordering.

Product availability

This lock preparation is available on Steelcraft L and B Series Steel Stiffened doors for non-label, or for labeled openings up to 3 hour Fire Ratings. See the Fire Rated products section for additional information.