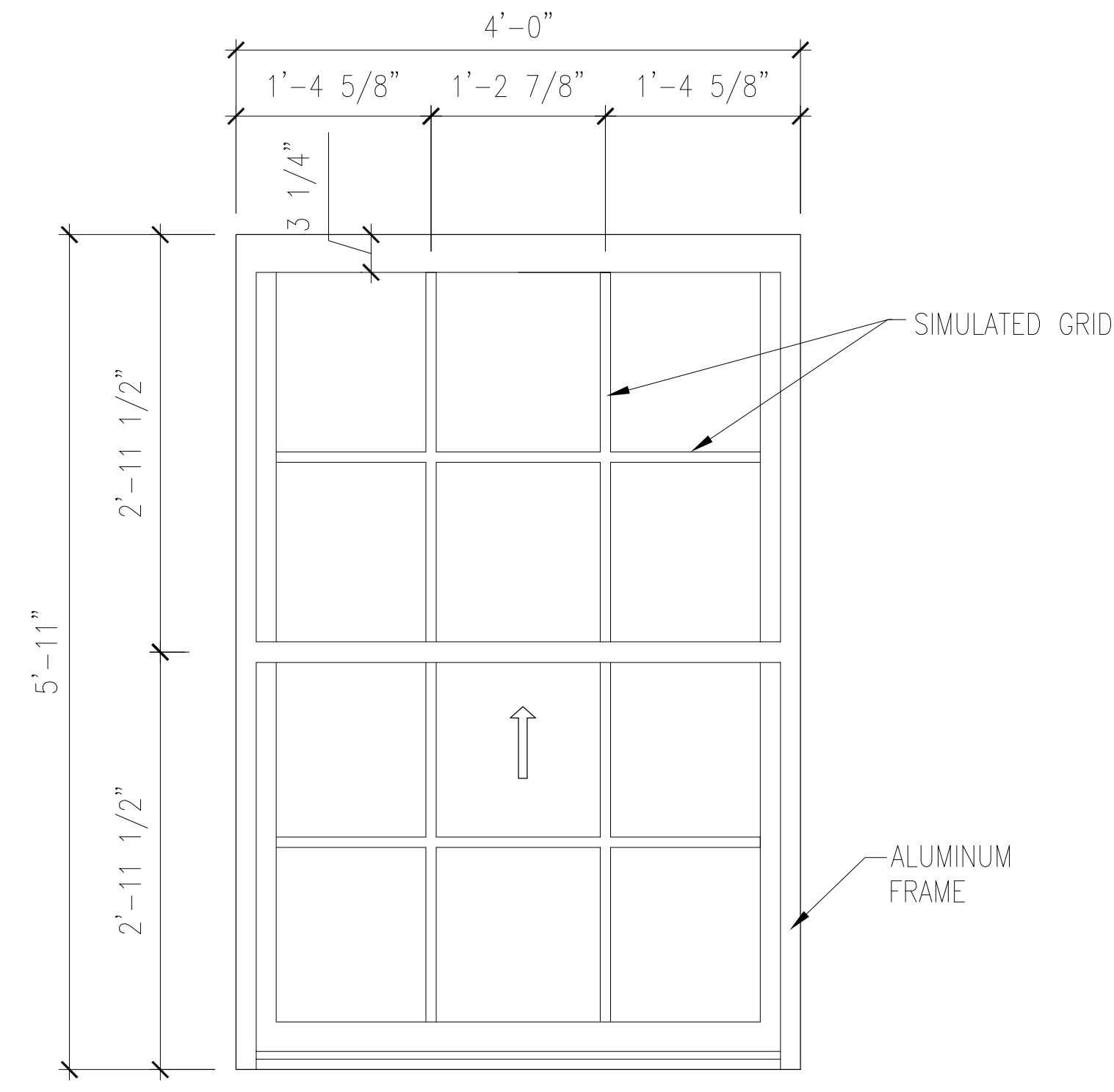


Hamilton Anderson Associates, Inc
1435 Randolph Suite 200
Detroit, Michigan 48226
p 313 964 0270 f 313 964 0170
www.hamilton-anderson.com

MEP Engineer Peter Basso Associates
5145 Livernois
Troy, MI 48098
248.879.5666

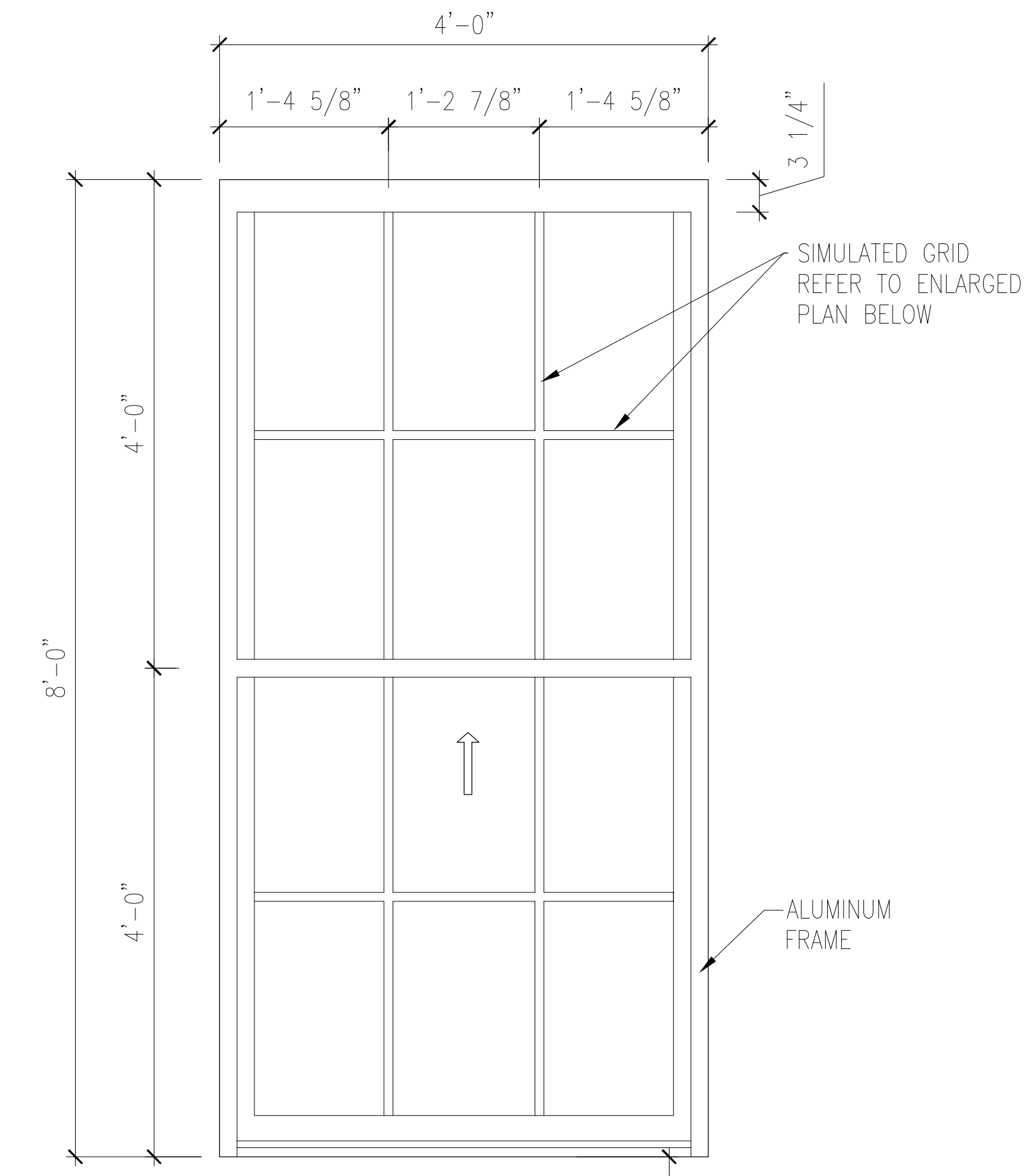
Structural Engineer DesaiNair Consulting Engineer
6765 Daly Rd
West Bloomfield, MI 48322
248.932.2010

Civil Engineer HH Engineering
220 Bagley
Detroit, MI 48226
313.963.6560



TYPICAL NEW ALUMINUM WINDOW ELEVATION
TYPE: SINGLE HUNG SECOND FLOOR

SCALE: 1" = 1'-0"

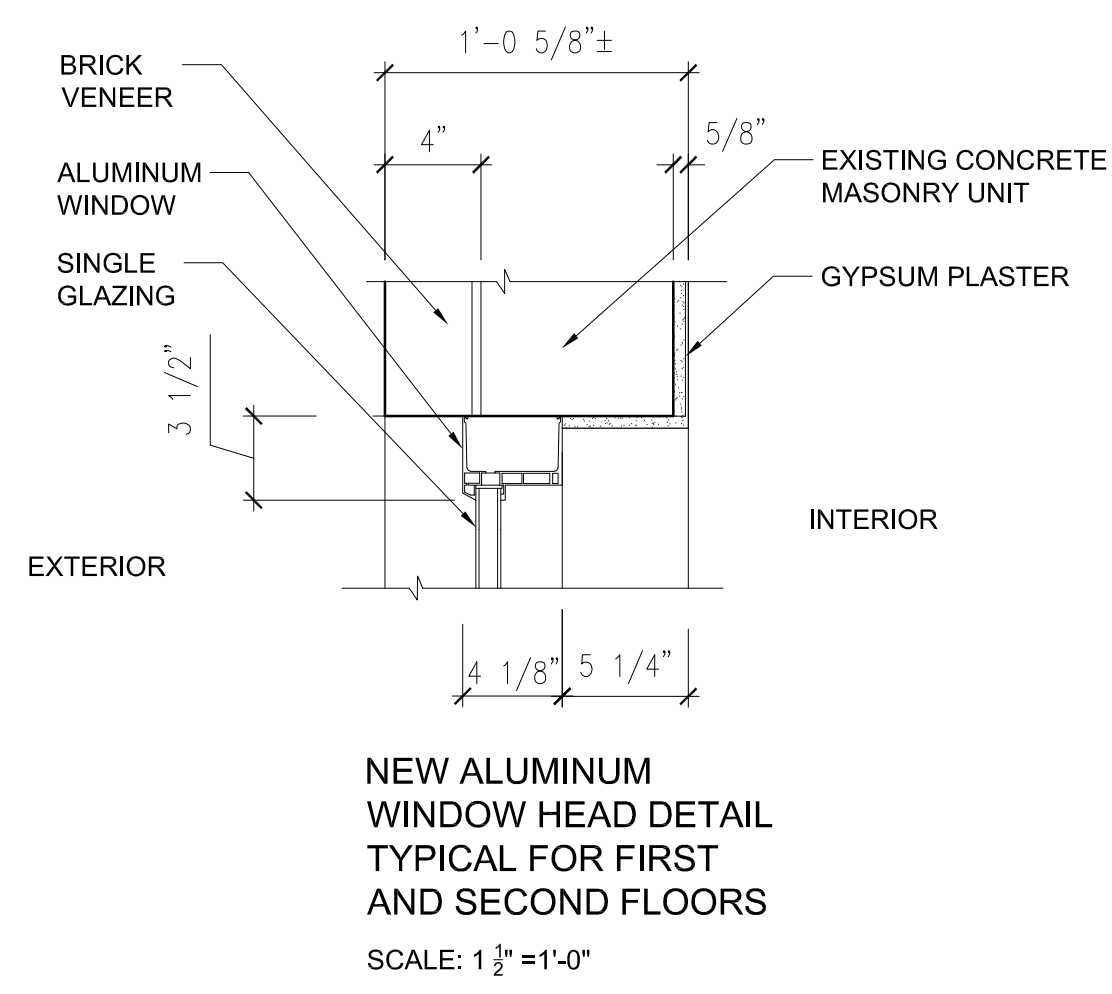


TYPICAL NEW ALUMINUM WINDOW ELEVATION
TYPE: SINGLE HUNG FIRST FLOOR

1st floor

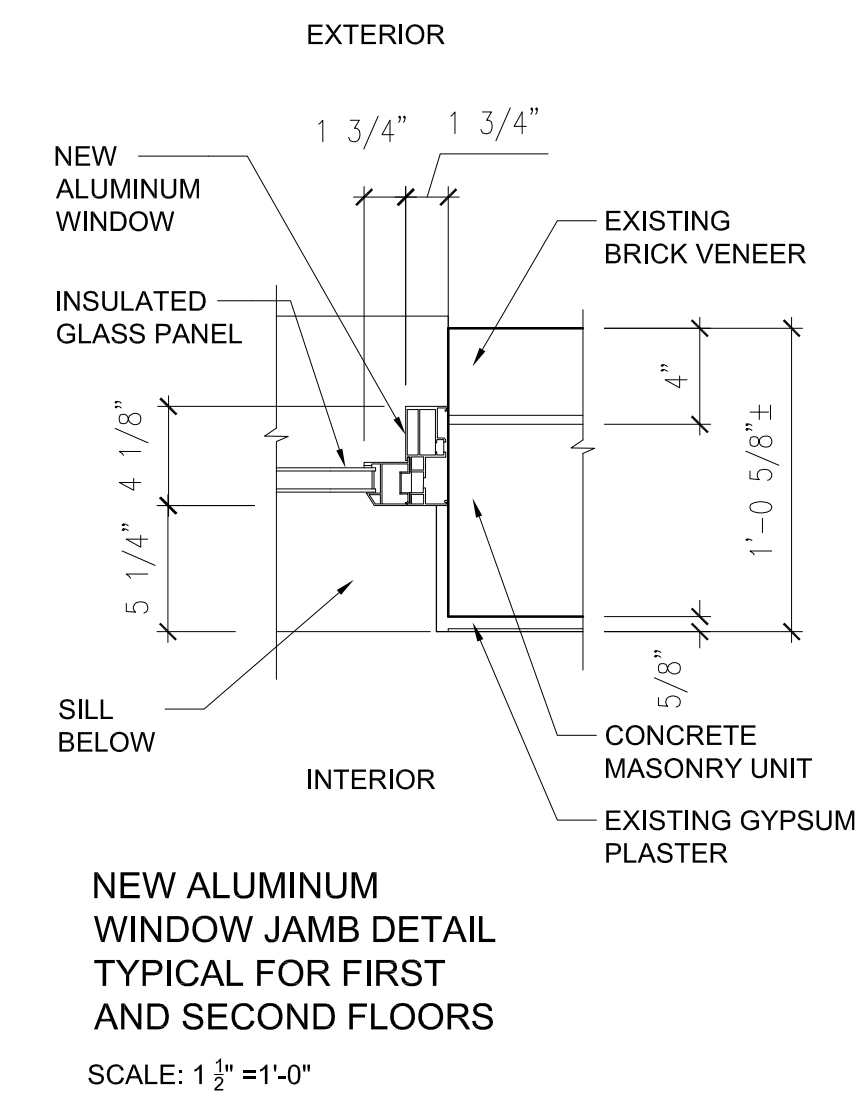
Client
DETROIT MIDNIGHT GOLF

Street
City, State
Zip
Key Plan



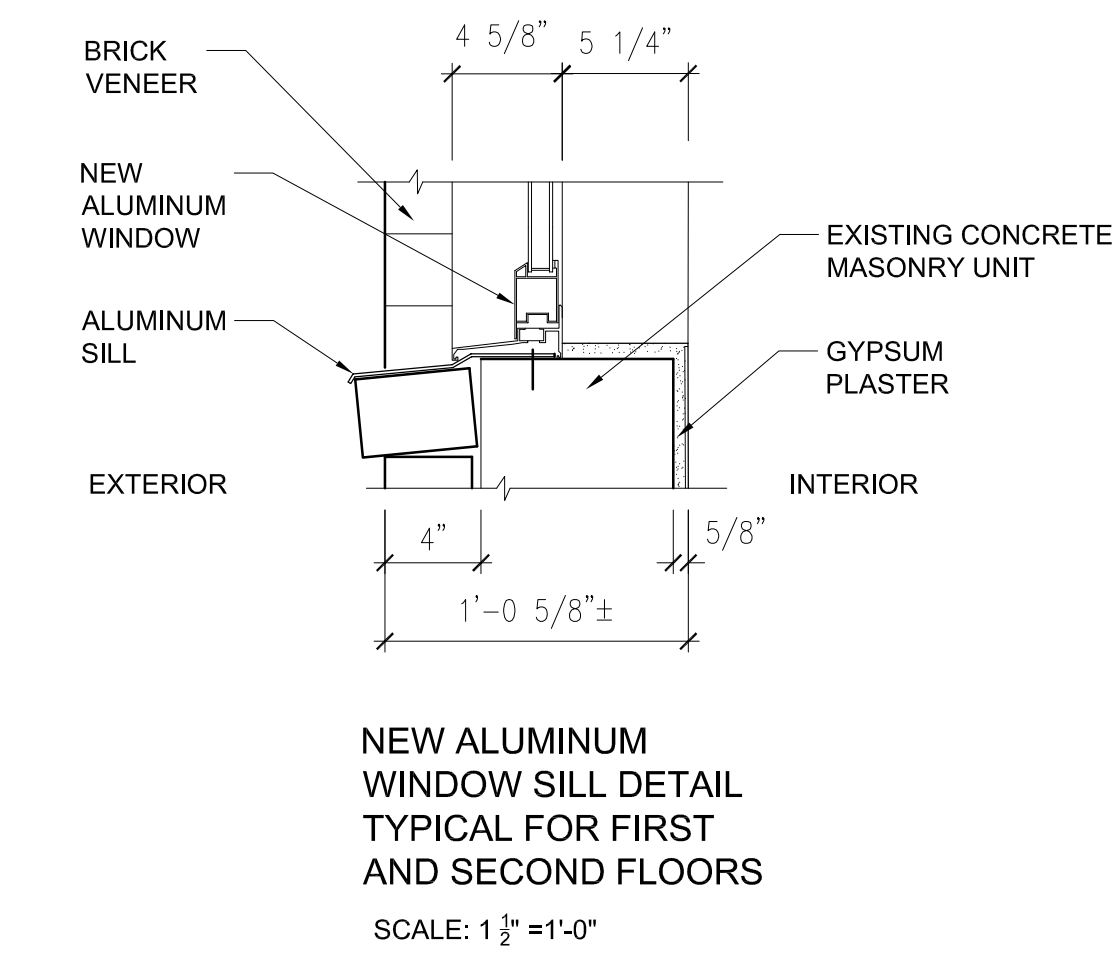
NEW ALUMINUM WINDOW HEAD DETAIL
TYPICAL FOR FIRST AND SECOND FLOORS

SCALE: 1 1/2" = 1'-0"



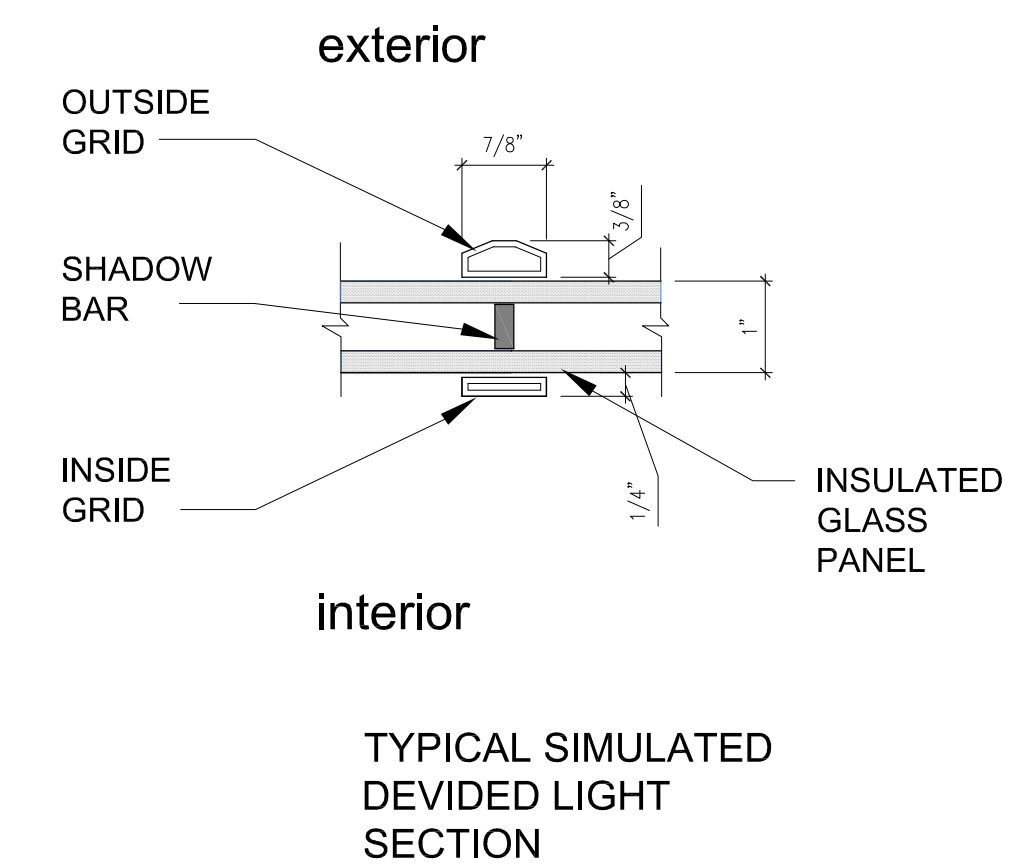
NEW ALUMINUM WINDOW JAMB DETAIL
TYPICAL FOR FIRST AND SECOND FLOORS

SCALE: 1 1/2" = 1'-0"



NEW ALUMINUM WINDOW SILL DETAIL
TYPICAL FOR FIRST AND SECOND FLOORS

SCALE: 1 1/2" = 1'-0"



TYPICAL SIMULATED DIVIDED LIGHT SECTION

SCALE: 6" = 1'-0"



PERMIT _____ 12/02/22

Project _____

DETROIT MIDNIGHT GOLF

Drawing Title

NEW WINDOWS DETAILS

Project Number: 2022036

Drawn By: R J Approved By: CW

Scale: AS SHOWN

Seal: _____

Signature: _____

Drawing No: _____