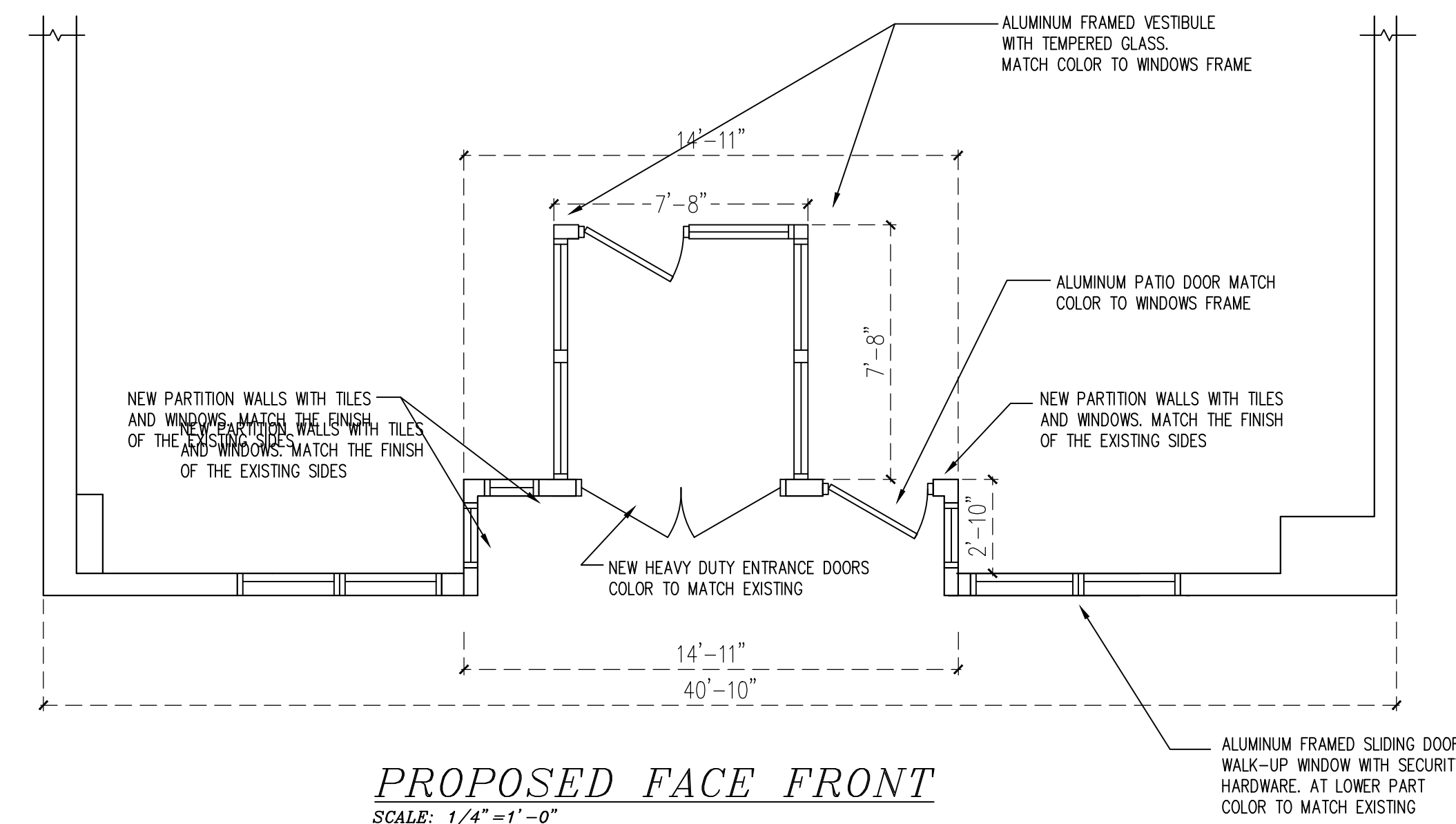


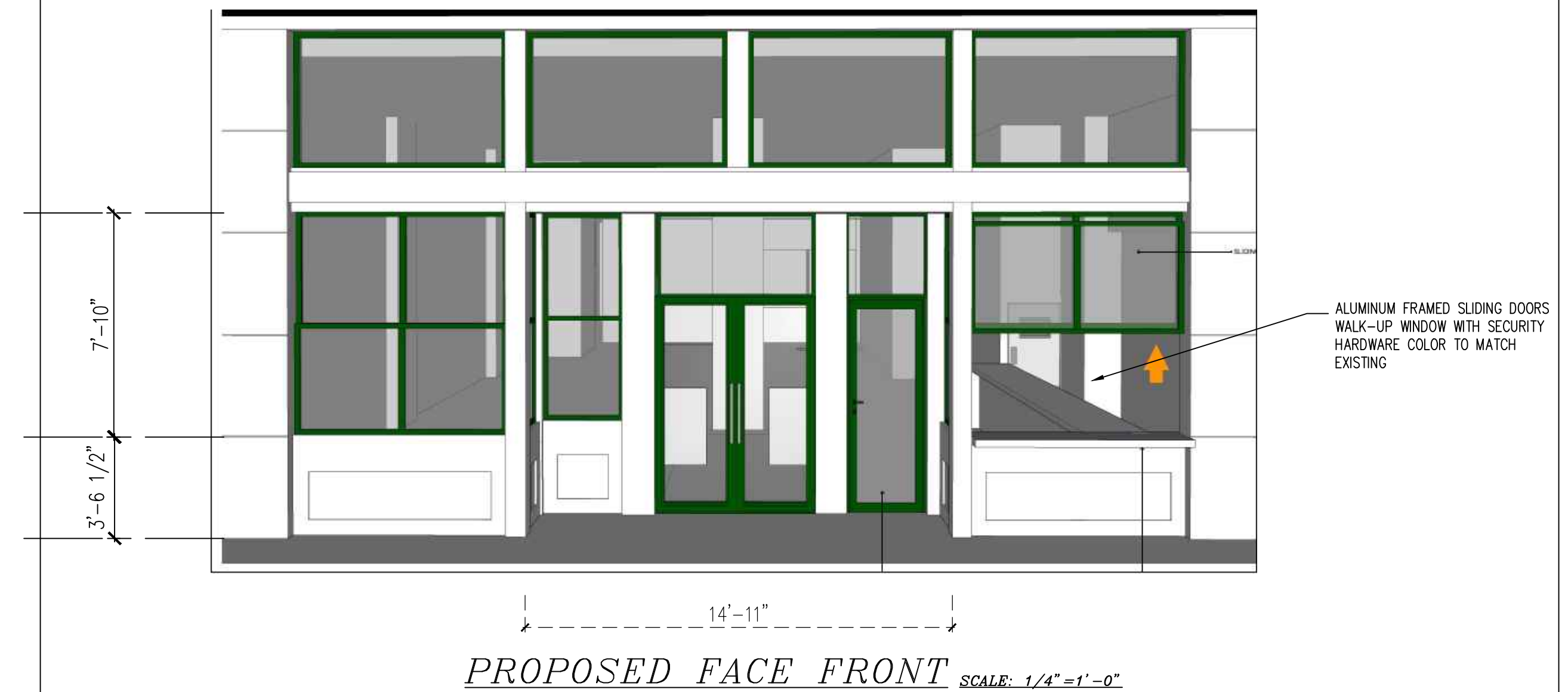
**EXISTING FACE FRONT**  
SCALE: 1/4"=1'-0"



**EXISTING FACE FRONT**



**PROPOSED FACE FRONT**  
SCALE: 1/4"=1'-0"



**PROPOSED FACE FRONT** SCALE: 1/4"=1'-0"

PROJECT: NAME & LOCATION

THE HUDSON CAFE  
1241 WOODWARD AVE.  
DETROIT, MI. 48226

MI ENGINEERING LLC/  
MI ASSOCIATES, INC.

4814 KORTE STREET  
DEARBORN, MI. 48126  
PH: (313) 802-7707  
miadesign@sbcglobal.net

ORIGINAL SUBMITTAL

06-30-2022

REVISIONS:

SCALE: AS NOTED

SHEET TITLE  
NEW FACE FRONT ELEVATIONS  
AND DETAILS PLANS

3/7

SEAL

