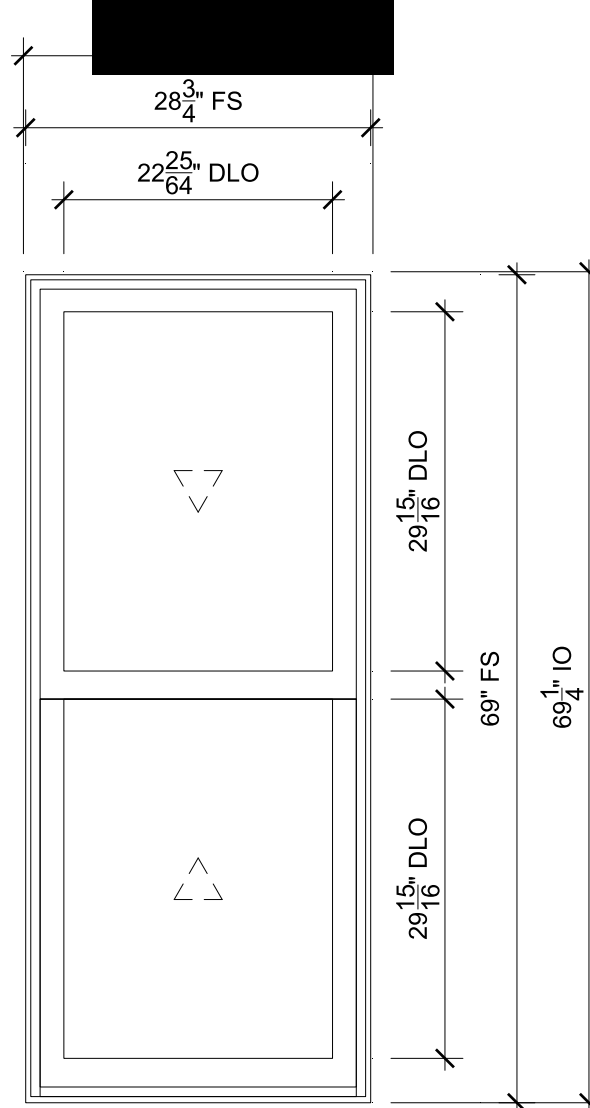


**ORDERING PRODUCTS WITH REFERENCE TO SHOP DRAWINGS:**  
 Before ordering the Marvin Window and Door products illustrated within these shop drawings, a copy of these drawings accompanied by an approved signature of the purchaser must be returned to the Architectural Division at Marvin Windows & Doors, P.O. Box 100, Grand Rapids, Michigan 49503. The purchaser must also return a copy of these drawings to the approved shop drawings. Marvin Windows and Doors assumes no responsibility in guaranteeing product coordination with the drawings.

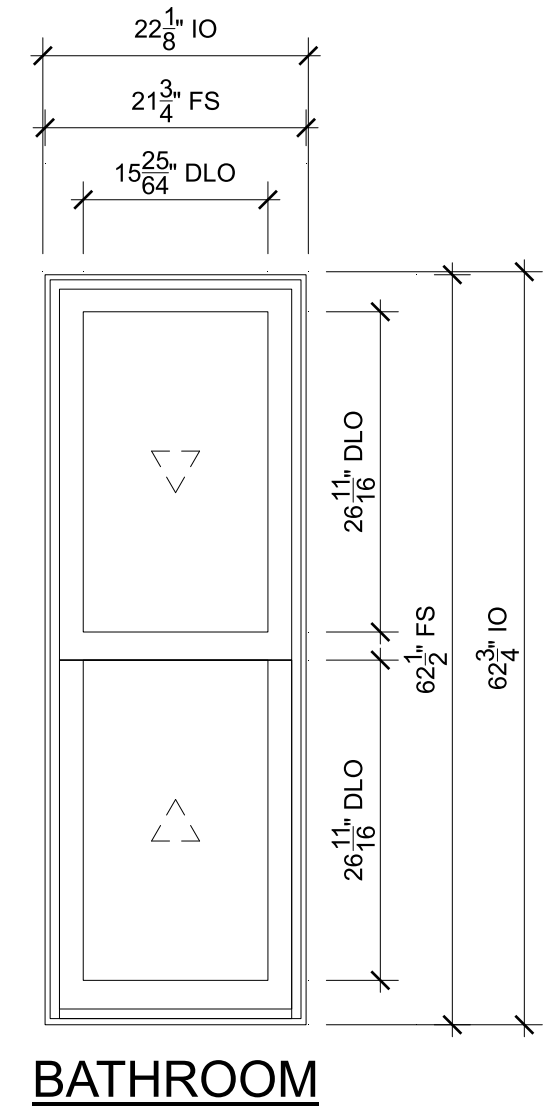
PROJ/JOB: Edelman / Schwartz / Bagley Project - Marvin Elevate  
 DIST/DEALER: LAURENCE SMITH DIST INC  
 DRAWN: CHRIS CASWELL  
 QUOTE#: GJ48R4N  
 PK VERSION: 0003.15.00  
 CREATED: 07/22/2022  
 REVISION:

**#1 and 1-A**



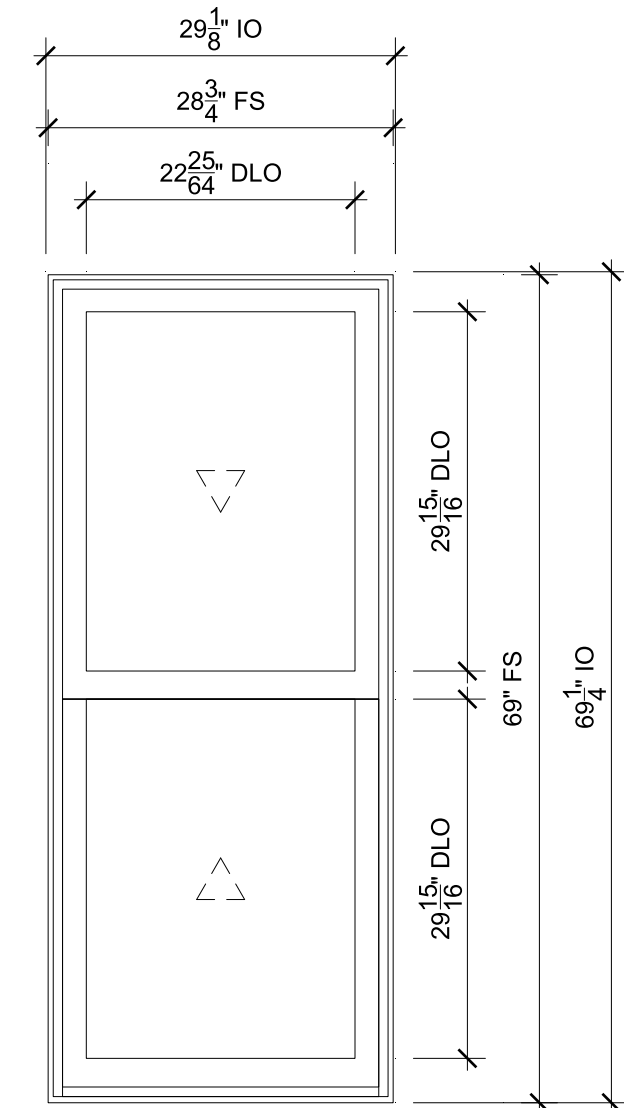
**DINING ROOM**  
 SCALE: 3/4" = 1'-0"  
 Legend: Head, Jamb, Sill, Check Rail

**#2**



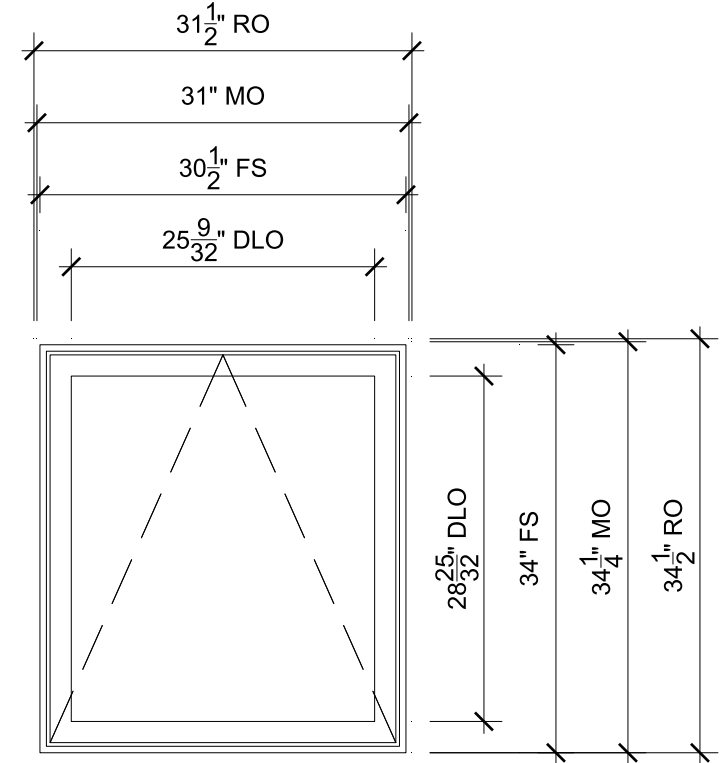
**BATHROOM**  
 SCALE: 3/4" = 1'-0"  
 Legend: Head, Jamb, Sill, Check Rail

**#3 and 3-A**



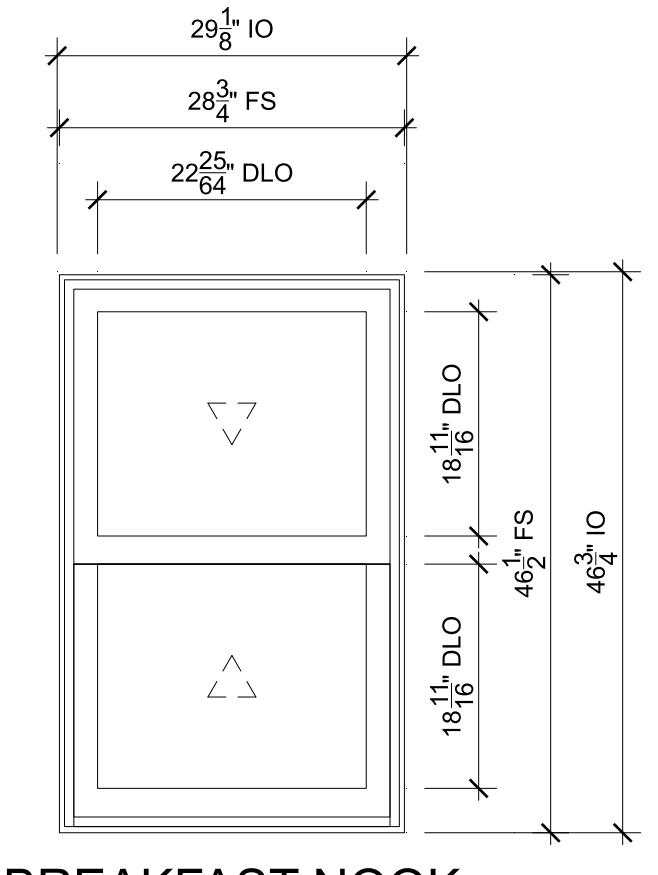
**BATHROOM**  
 SCALE: 3/4" = 1'-0"  
 Legend: Head, Jamb, Sill, Check Rail

**#4**



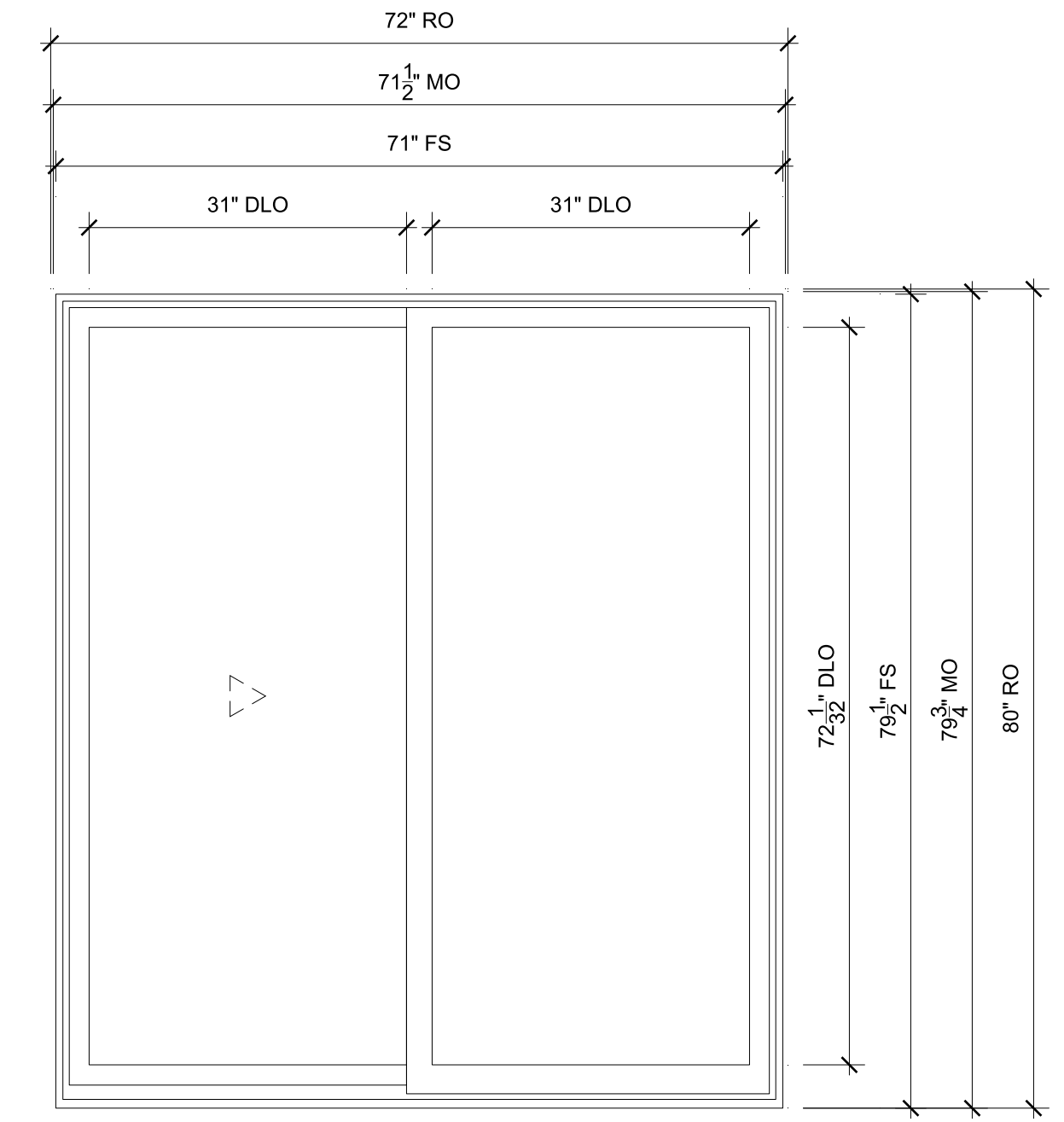
**KITCHEN**  
 SCALE: 3/4" = 1'-0"  
 Legend: Head, Jamb, Sill

**#5**



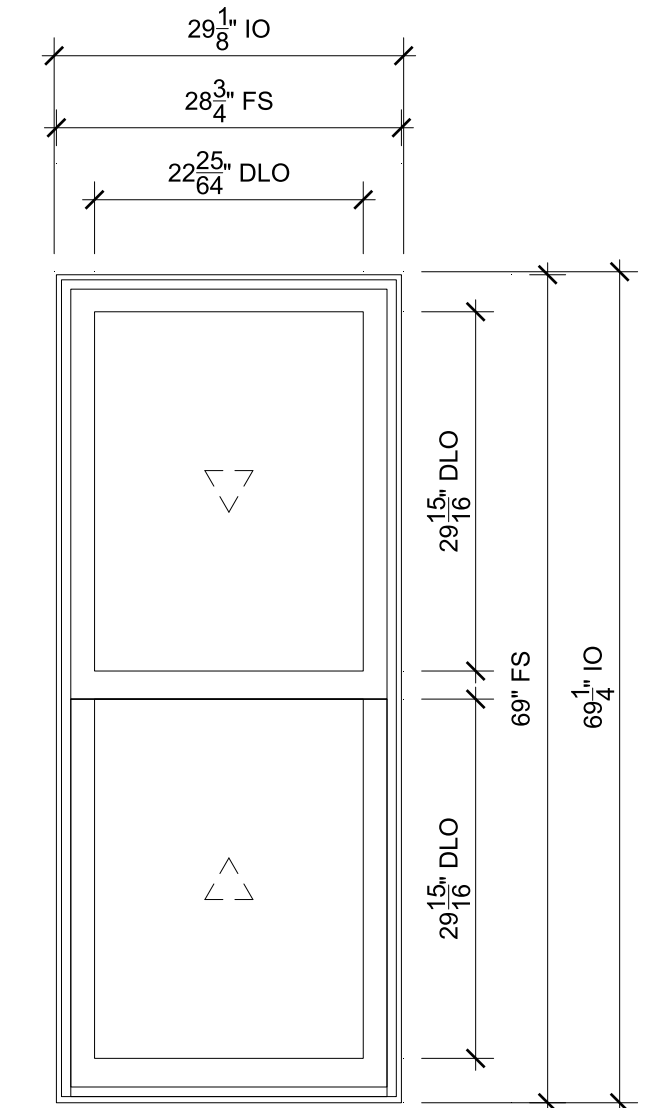
**BREAKFAST NOOK**  
 SCALE: 3/4" = 1'-0"  
 Legend: Head, Jamb, Sill, Check Rail

**#6**

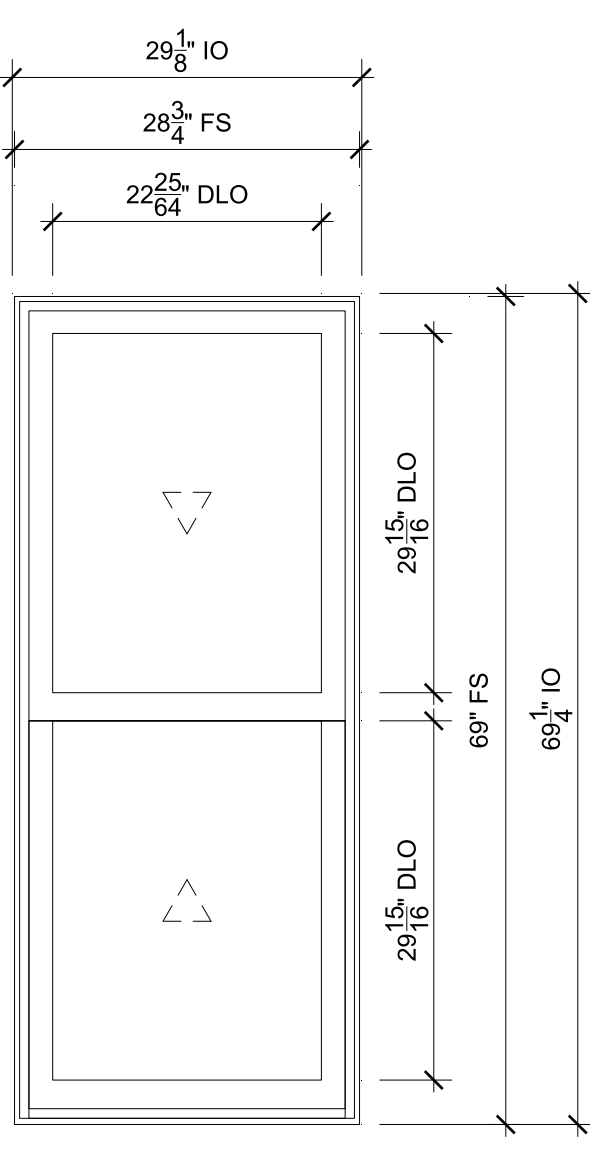


**BREAKFAST NOOK**  
 SCALE: 3/4" = 1'-0"  
 Legend: Head, Jamb, Meeting Stile

**#8**

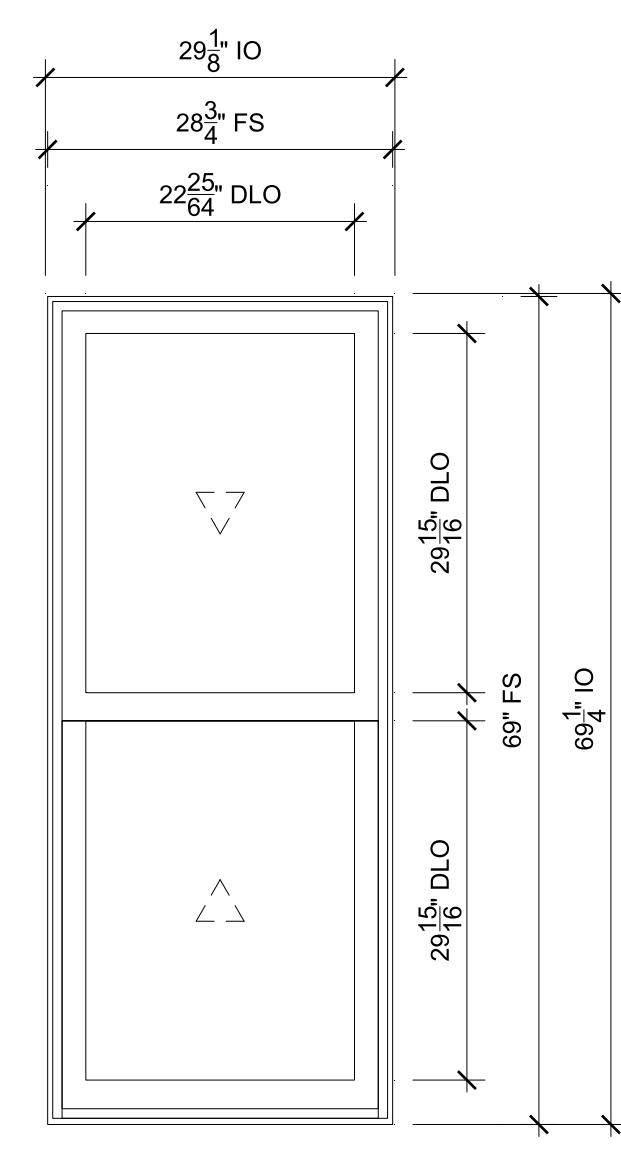


**MASTER BEDROOM**  
 SCALE: 3/4" = 1'-0"  
 Legend: Head, Jamb, Sill, Check Rail



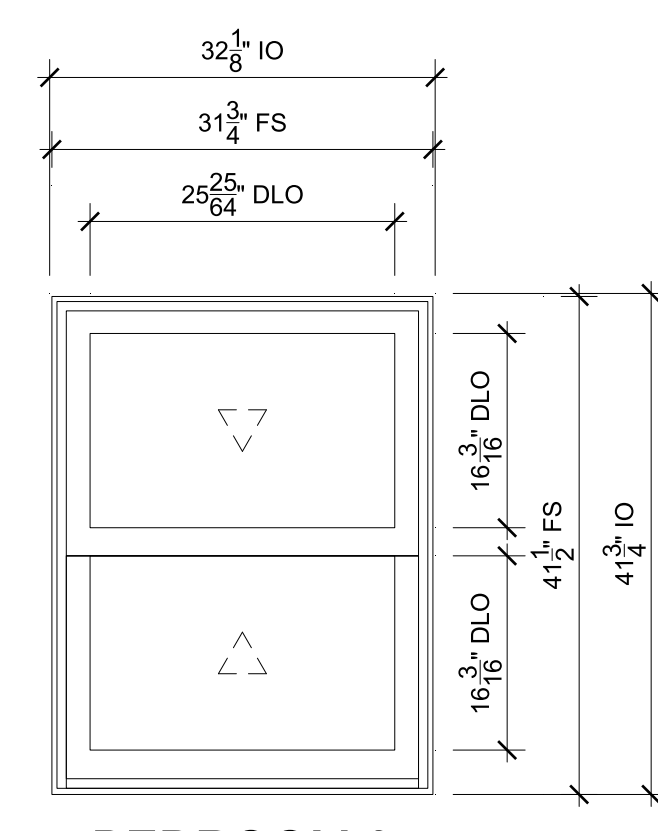
**BEDROOM 1**  
 SCALE: 3/4" = 1'-0"  
 Legend: Head, Jamb, Sill, Check Rail

**#9**



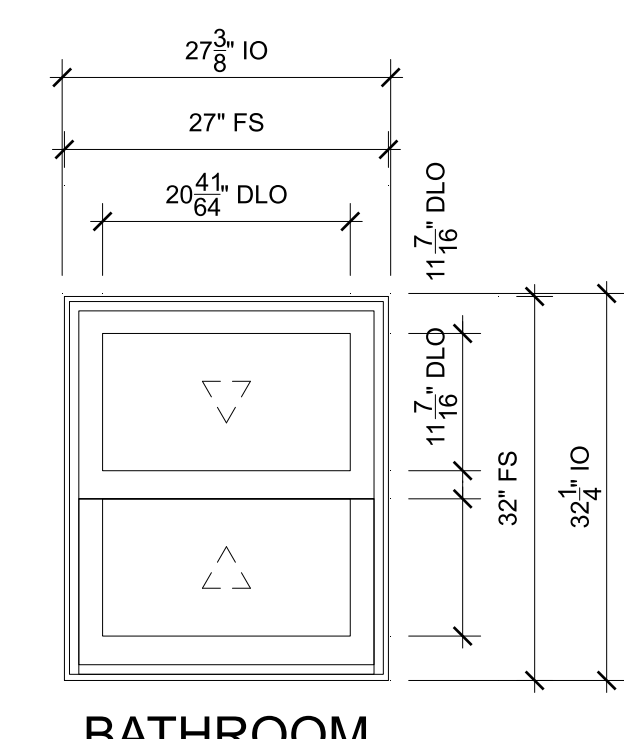
**BAR**  
 SCALE: 3/4" = 1'-0"  
 Legend: Head, Jamb, Sill, Check Rail

**#10**



**BEDROOM 3**  
 SCALE: 3/4" = 1'-0"  
 Legend: Head, Jamb, Sill, Check Rail

**#11**

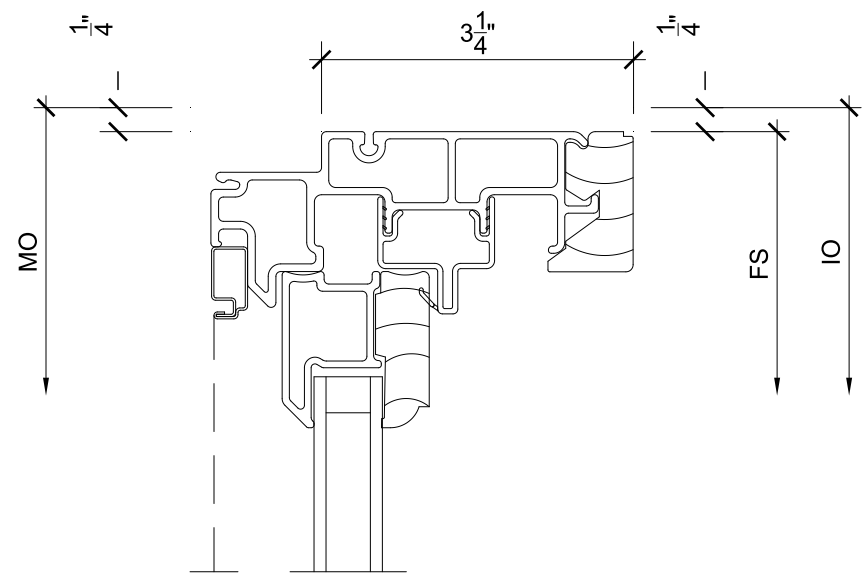


**BATHROOM**  
 SCALE: 3/4" = 1'-0"  
 Legend: Head, Jamb, Sill, Check Rail

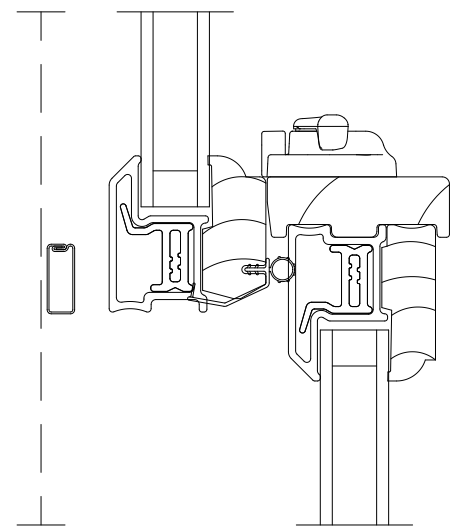
**#12**

**ORDERING PRODUCTS WITH REFERENCE TO SHOP DRAWINGS:**  
 Before ordering the Marvin Window and Door products illustrated within these shop drawings, a copy of these drawings accompanied by an approved signature of the purchaser must be returned to the Architectural Department at Marvin Windows & Doors, P.O. Box 100, Grand Rapids, Michigan 49503. The purchaser must also return a copy of these drawings to the approved shop drawings. Marvin Windows and Doors assumes no responsibility in guaranteeing product coordination with the drawings.

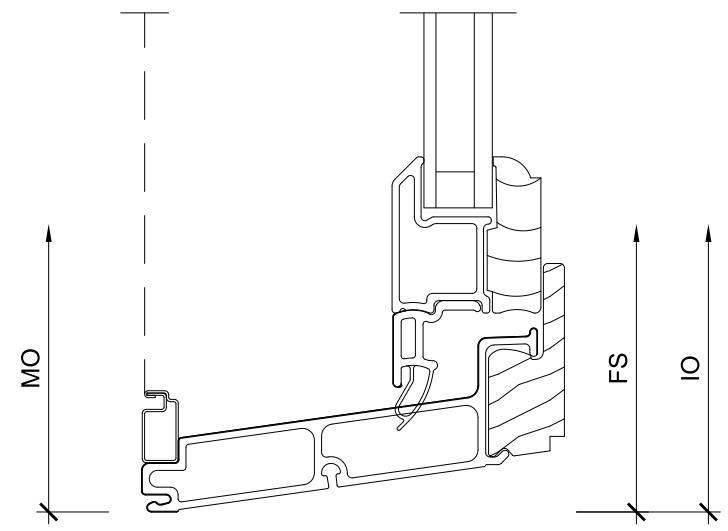
PROJECT: Edelman / Schwartz / Bagley Project - Marvin Elevate  
 DIST/DEALER: LAURENCE SMITH DIST INC  
 DRAWN: CHRIS CASWELL  
 QUOTE#: GJ48R4N  
 PK VERSION: 0003.15.00  
 CREATED: 07/22/2022  
 REVISION:



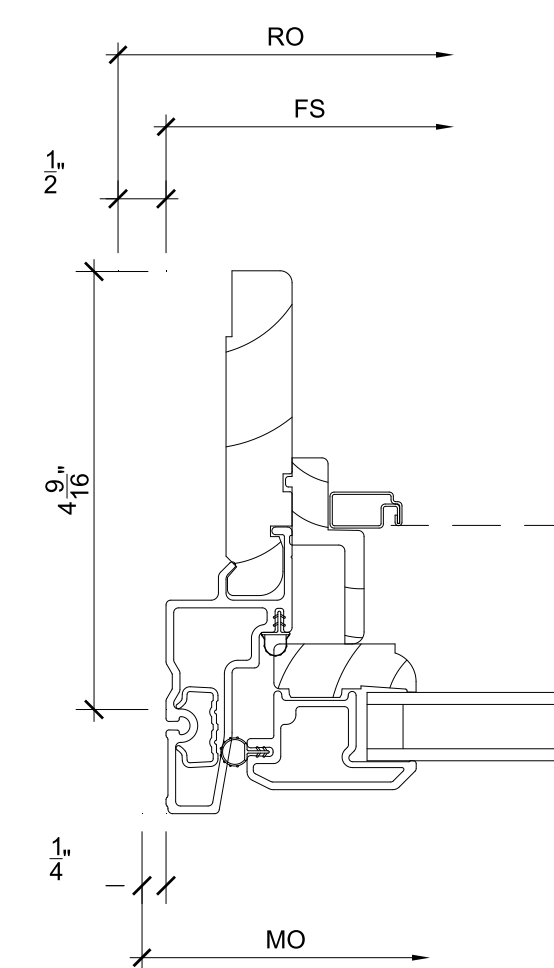
**1**  
**2** Head  
 SCALE: 6" = 1'-0"



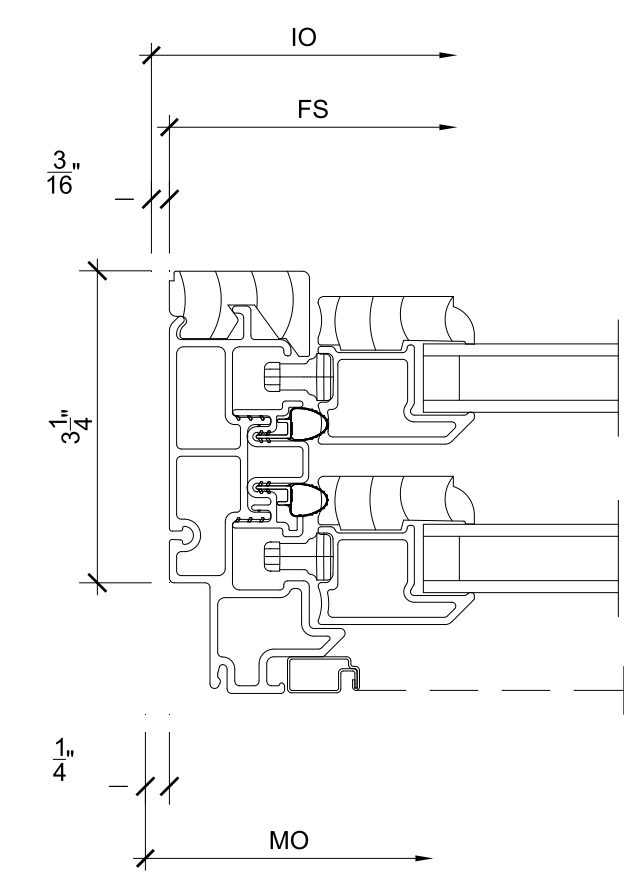
**4**  
**2** Check Rail  
 SCALE: 6" = 1'-0"



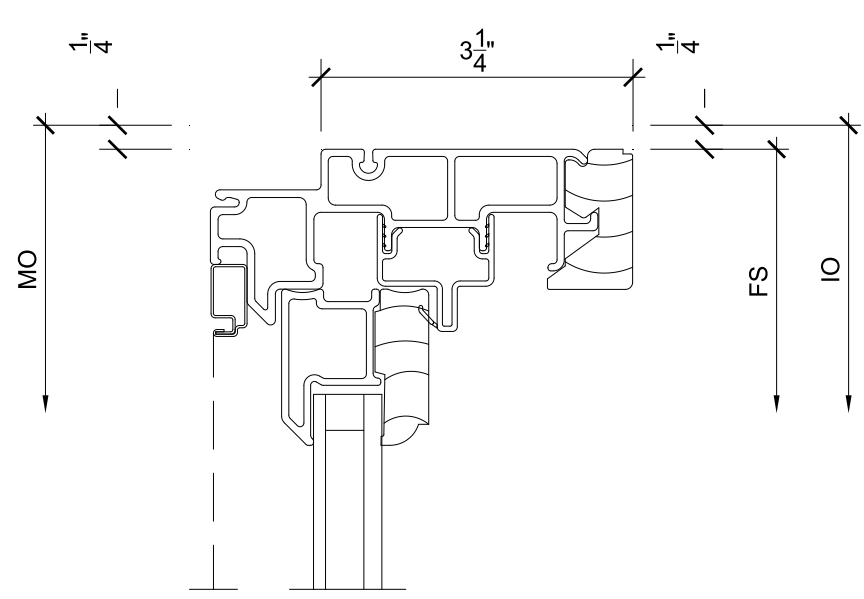
**7**  
**2** Sill  
 SCALE: 6" = 1'-0"



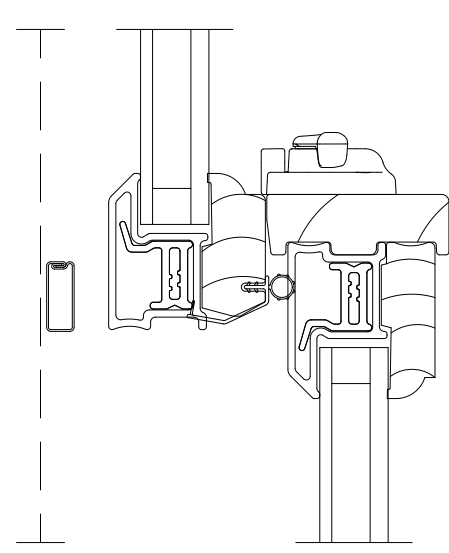
**10**  
**2** Jamb  
 SCALE: 6" = 1'-0"



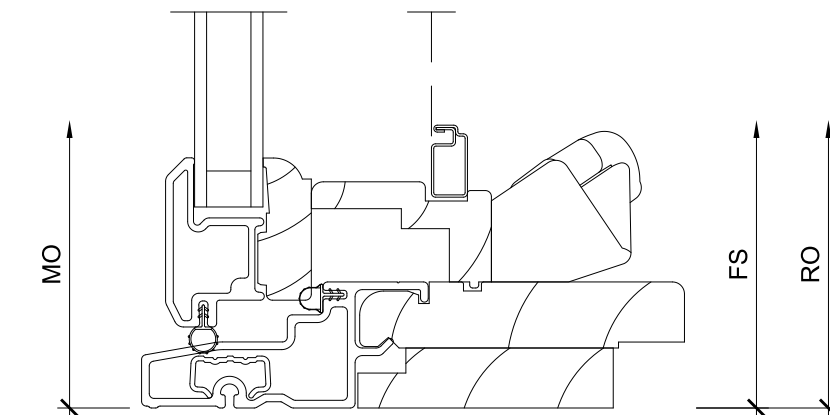
**2**  
**2** Jamb  
 SCALE: 6" = 1'-0"



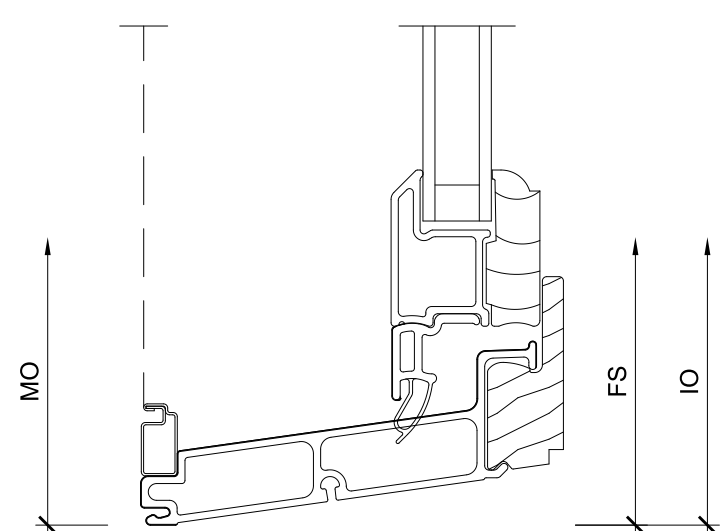
**5**  
**2** Head  
 SCALE: 6" = 1'-0"



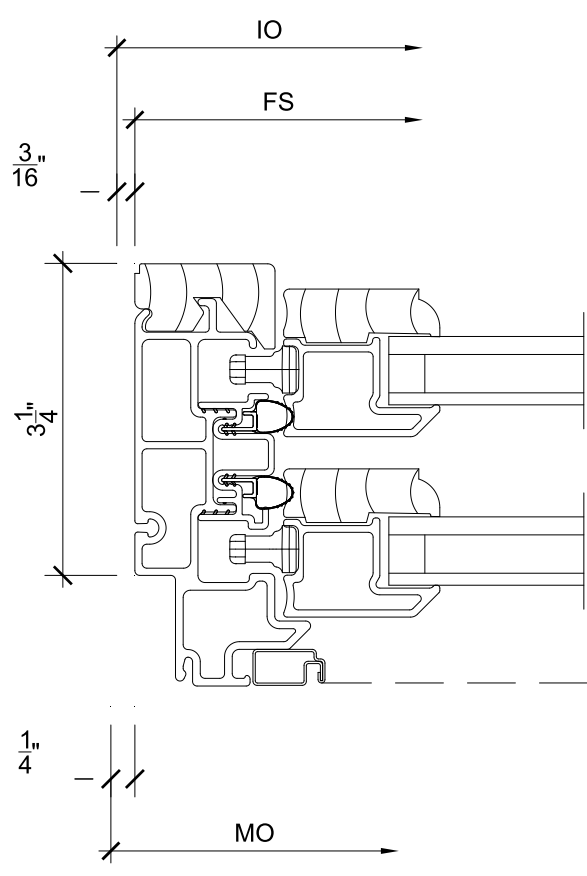
**8**  
**2** Check Rail  
 SCALE: 6" = 1'-0"



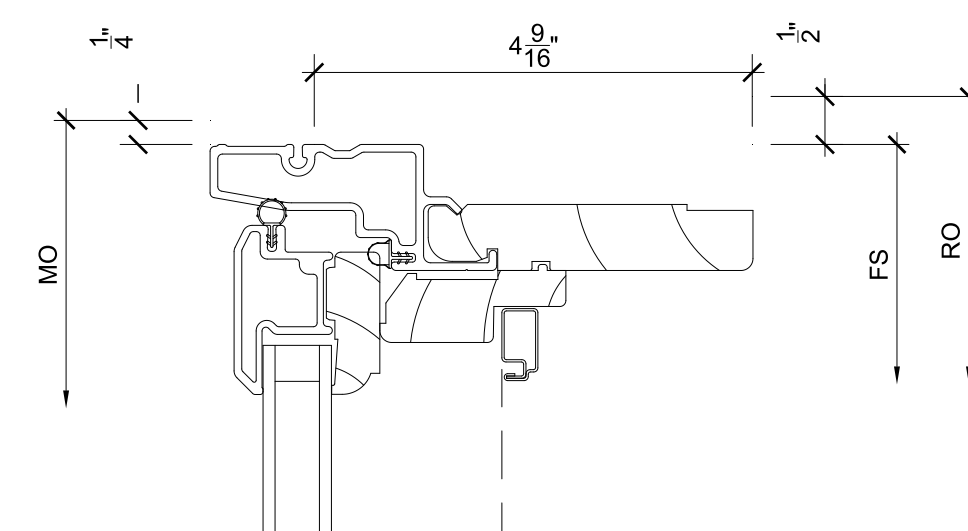
**11**  
**2** Sill  
 SCALE: 6" = 1'-0"



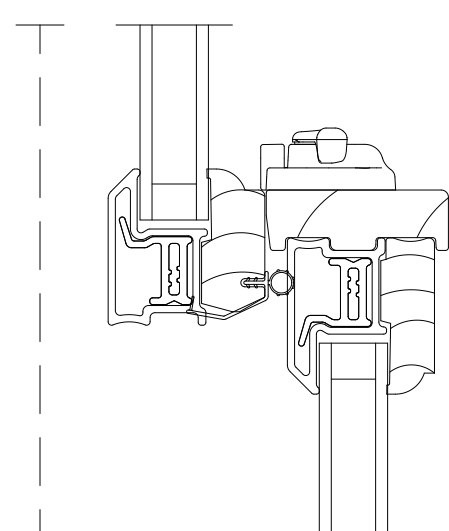
**3**  
**2** Sill  
 SCALE: 6" = 1'-0"



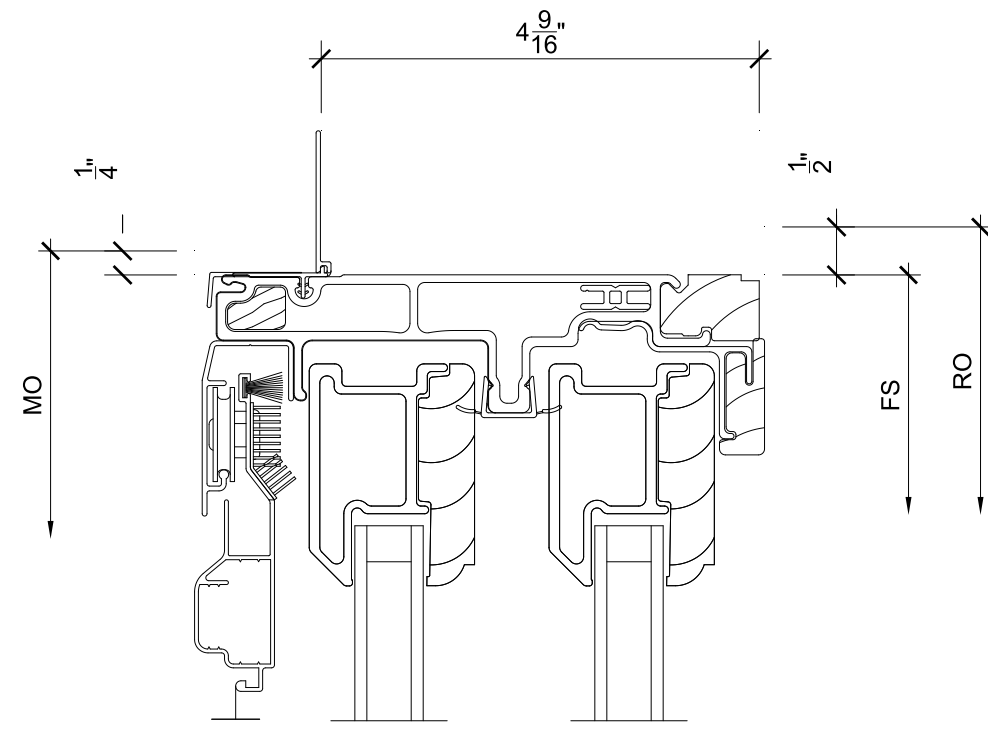
**6**  
**2** Jamb  
 SCALE: 6" = 1'-0"



**9**  
**2** Head  
 SCALE: 6" = 1'-0"

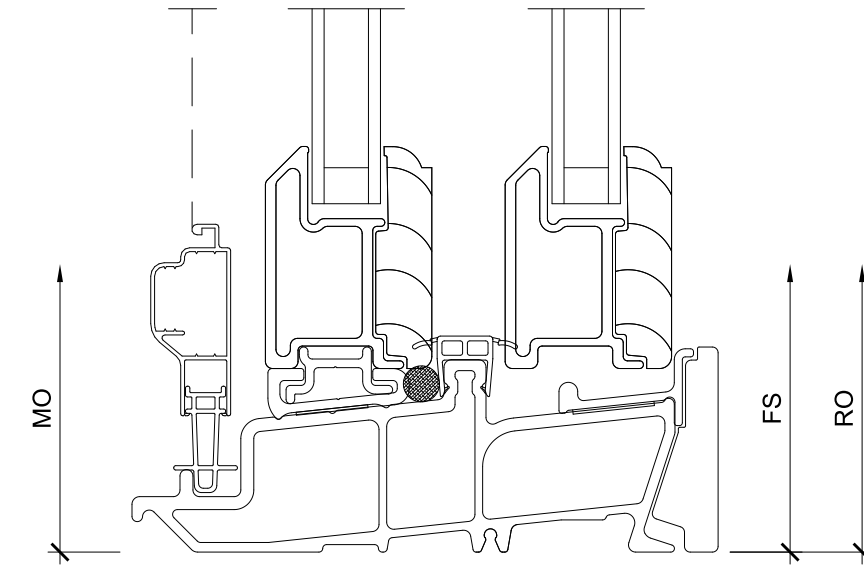


**12**  
**2** Check Rail  
 SCALE: 6" = 1'-0"



1  
3 Head

SCALE: 6" = 1'-0"



4  
3 Sill

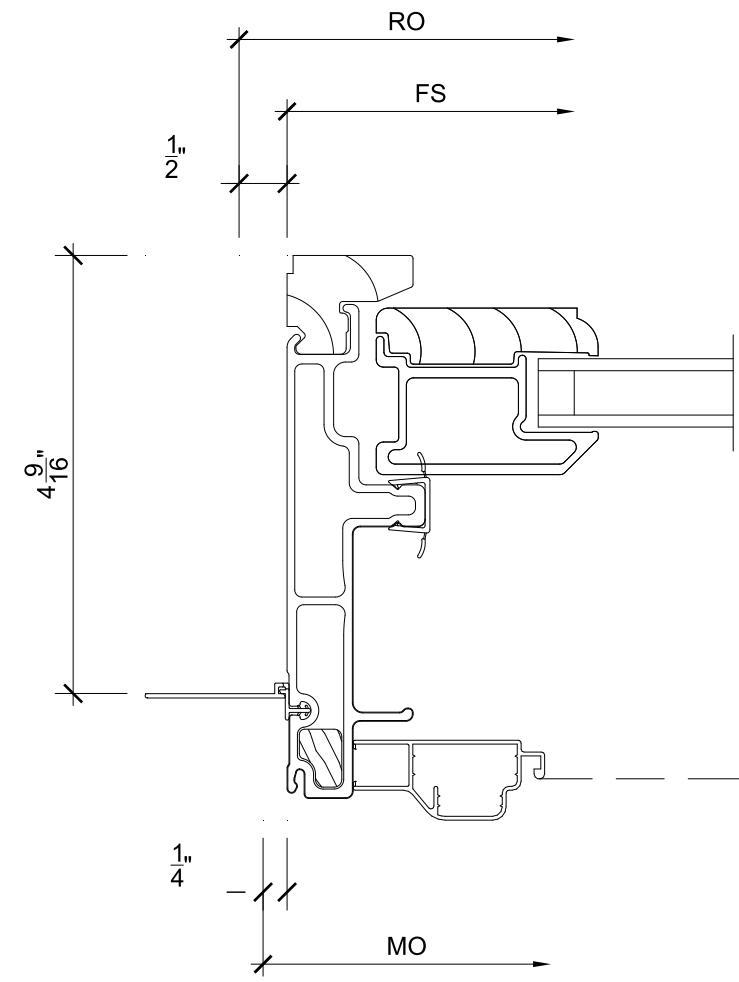
SCALE: 6" = 1'-0"

7  
3 NOT USED

SCALE: 6" = 1'-0"

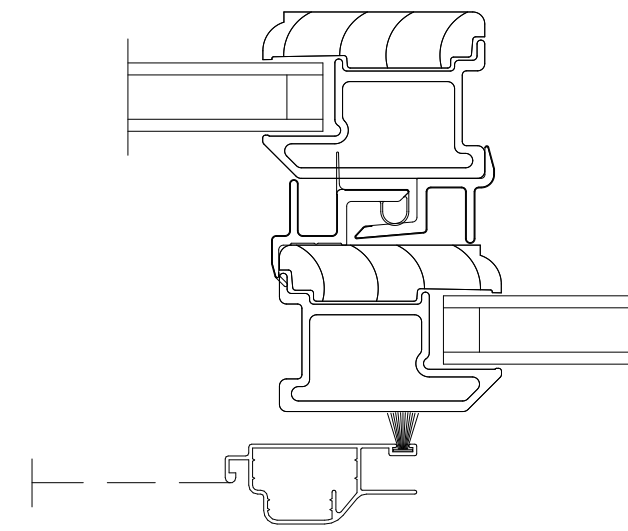
10  
3 NOT USED

SCALE: 6" = 1'-0"



2  
3 Jamb

SCALE: 6" = 1'-0"



5  
3 Meeting Stile

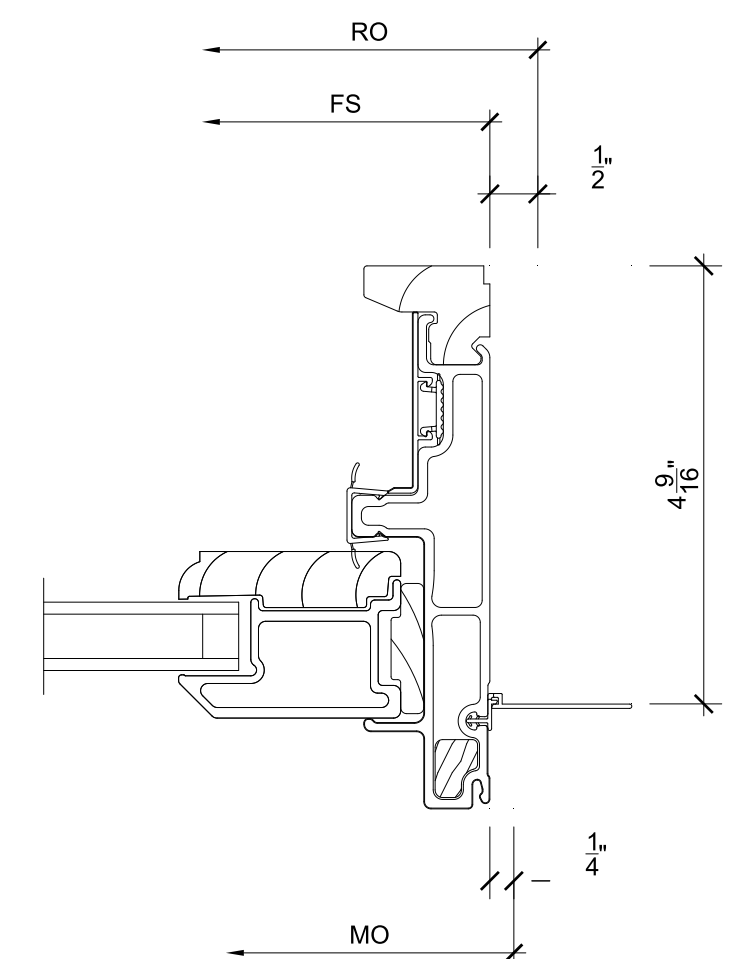
SCALE: 6" = 1'-0"

8  
3 NOT USED

SCALE: 6" = 1'-0"

11  
3 NOT USED

SCALE: 6" = 1'-0"



3  
3 Jamb

SCALE: 6" = 1'-0"

6  
3 NOT USED

SCALE: 6" = 1'-0"

9  
3 NOT USED

SCALE: 6" = 1'-0"

12  
3 NOT USED

SCALE: 6" = 1'-0"



**ORDERING PRODUCTS WITH REFERENCE TO SHOP DRAWINGS:**  
 Before ordering the Marvin Window and Door products illustrated within these shop drawings, a copy of these drawings accompanied by an approved signature of the purchaser must be returned to the Architectural Department, Marvin Windows & Doors, P.O. Box 100, Grand Rapids, Michigan 49503. The purchaser must also return a copy of these drawings to the approved shop drawings. Marvin Windows and Doors assumes no responsibility in guaranteeing product coordination with the drawings.

PROJ/JOB: Edelman / Schwartz / Bagley Project - Marvin Elevate  
 DIST/DEALER: LAURENCE SMITH DIST INC  
 DRAWN: CHRIS CASWELL  
 QUOTE#: GJ48R4N

PK VERSION: 0003.15.00

REVISION:

CREATED: 07/22/2022

SHEET  
**3**  
 OF 3