

PROJECT:

1567 CHURCH STREET

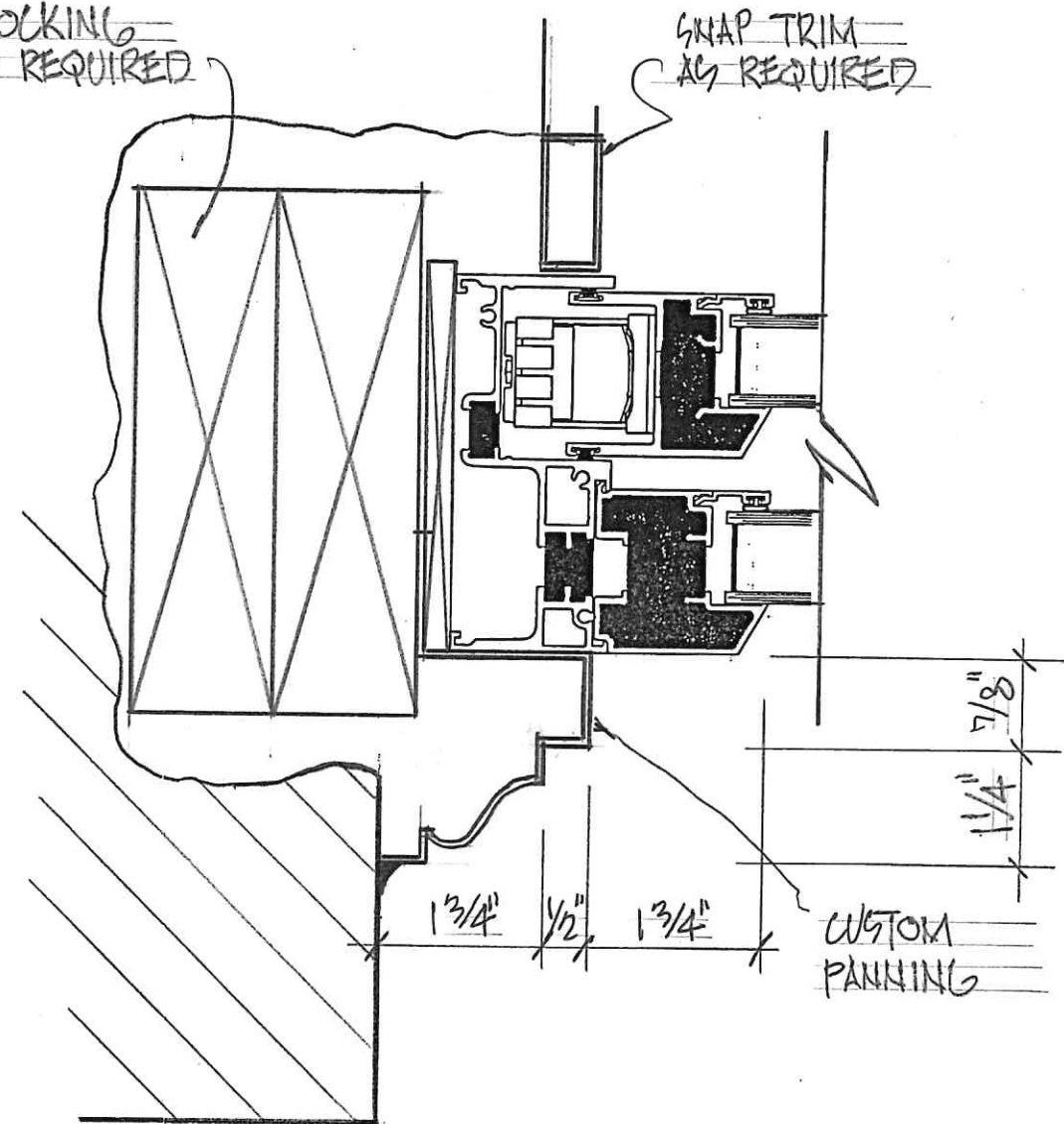
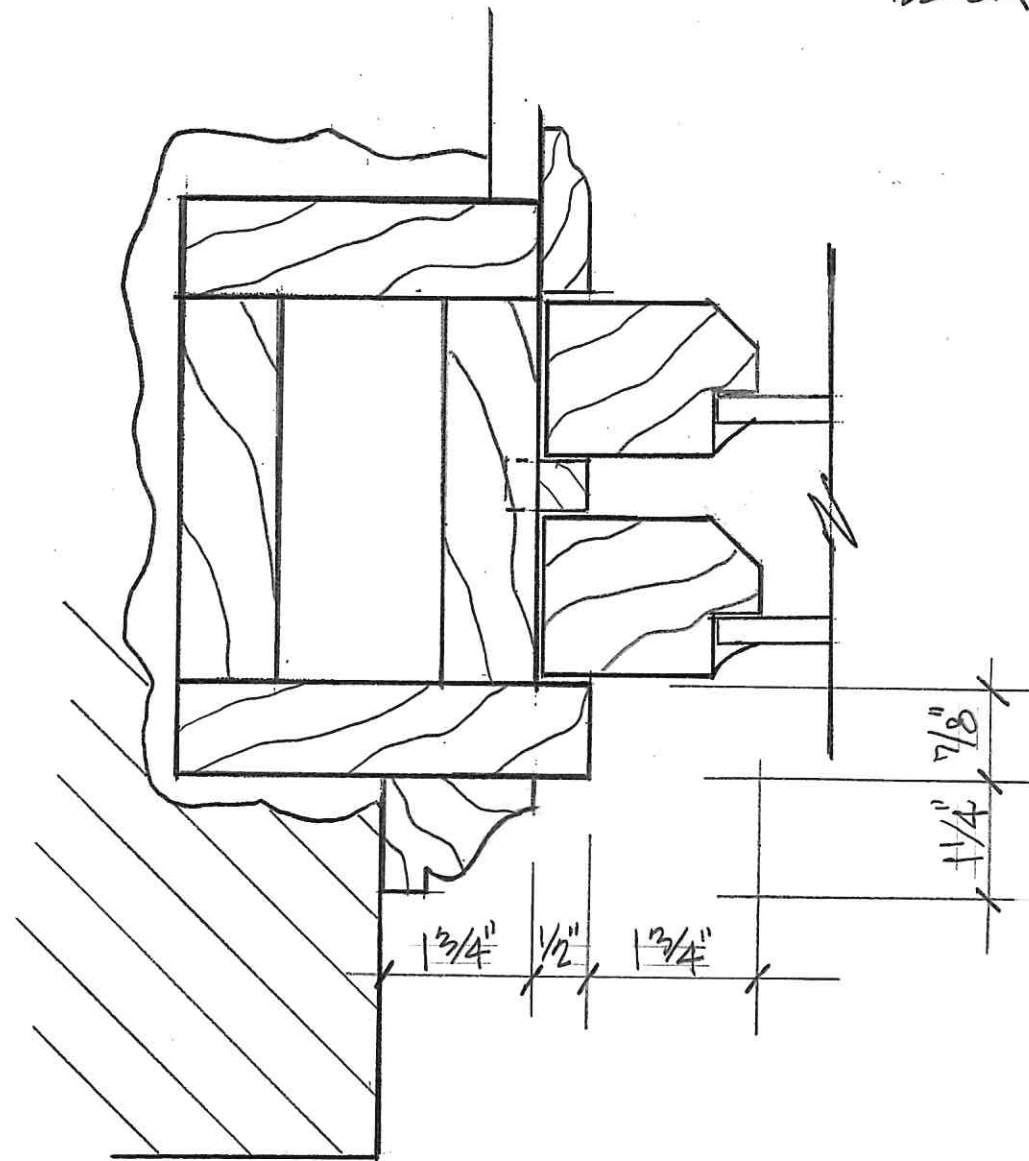
DATE: 6/10/22

WINDOW DESIGNER/ CONTRACTOR

BLACKBERRY SYSTEMS INC.

BLOCKING
AS REQUIRED

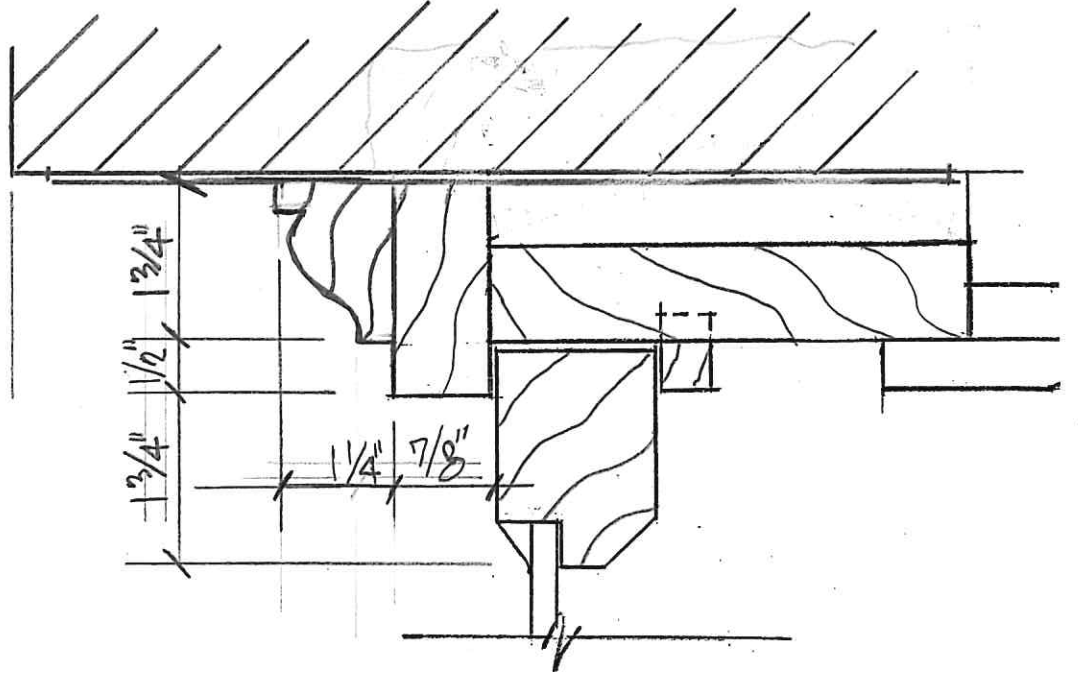
SNAP TRIM
AS REQUIRED



EXISTING JAMB

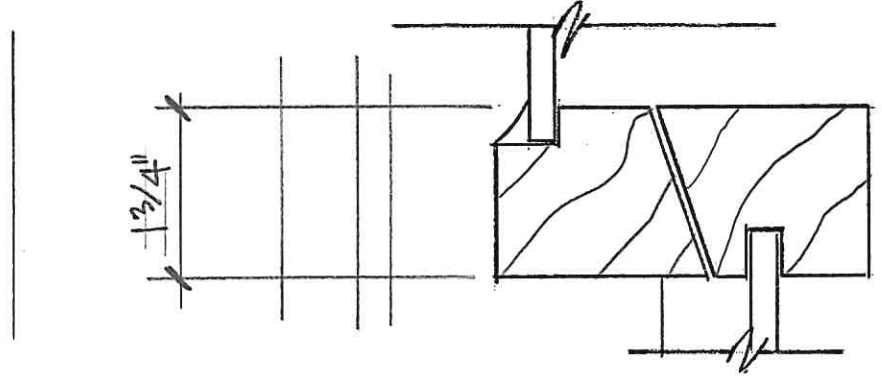
PROPOSED JAMB

HEAD



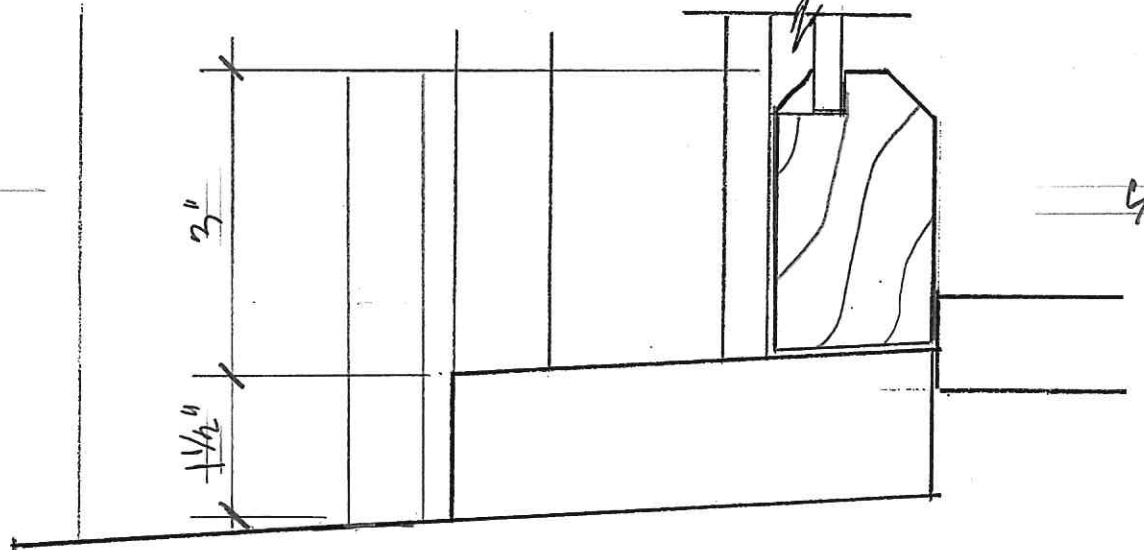
HEAD

MEETING RAIL



MEETING RAIL

SILL

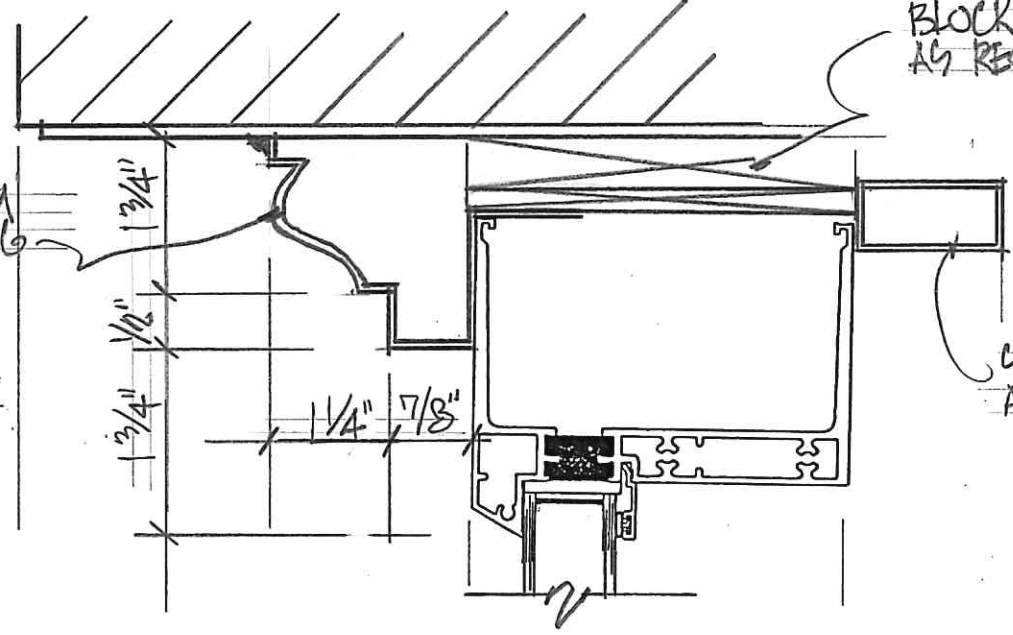


SILL

EXISTING

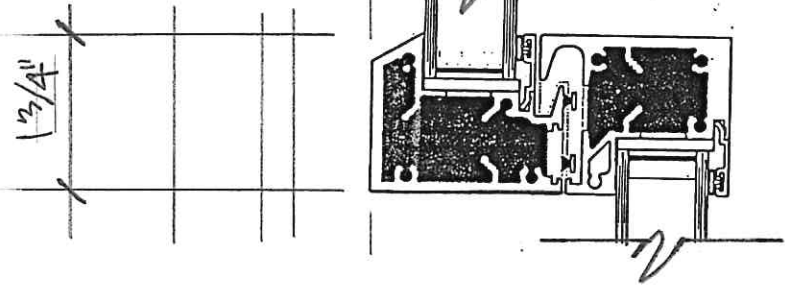
BLOCKING & GIM AS REQUIRED

CUSTOM PANNING



SNAP TRIM AS REQUIRED

1 3/4"



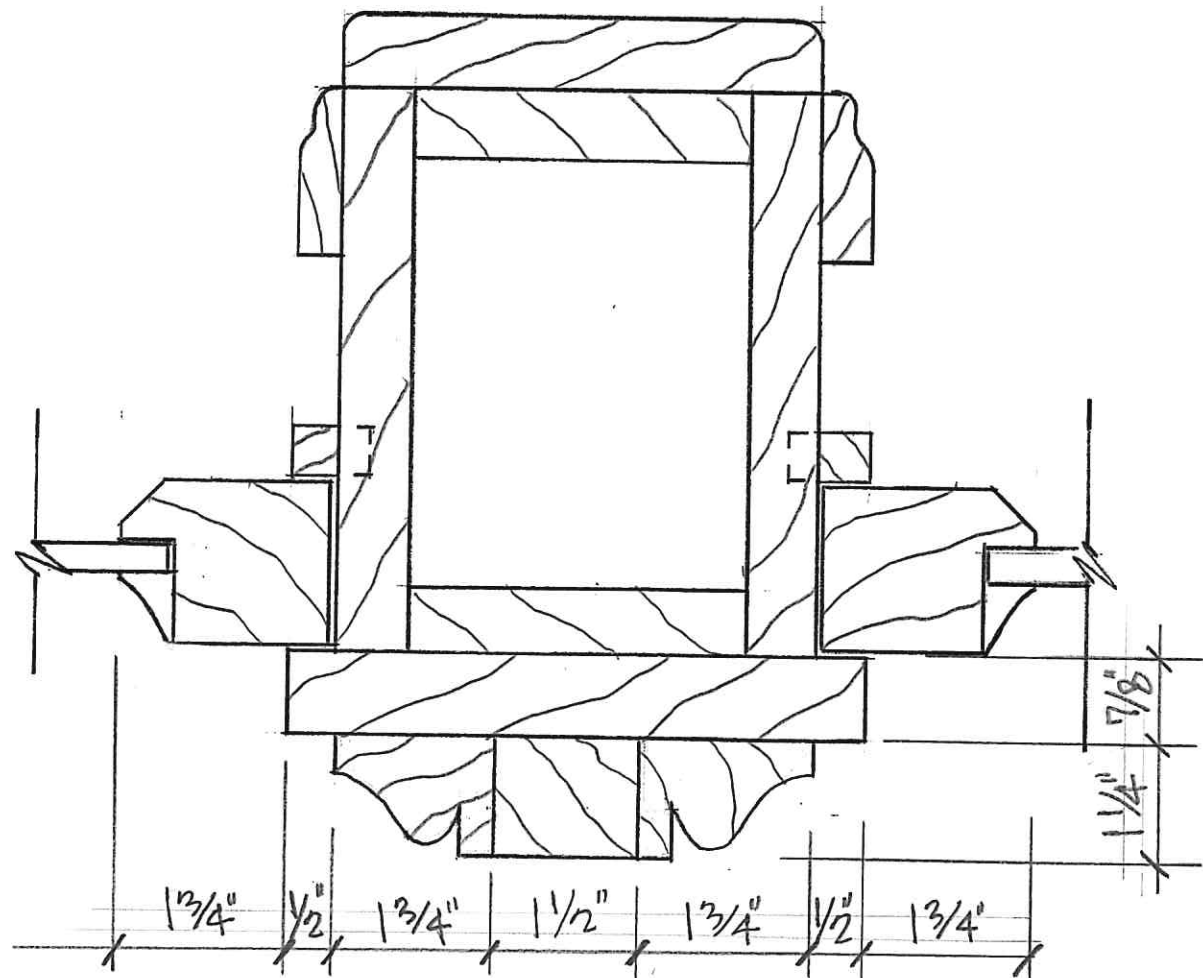
2"

1 1/2"

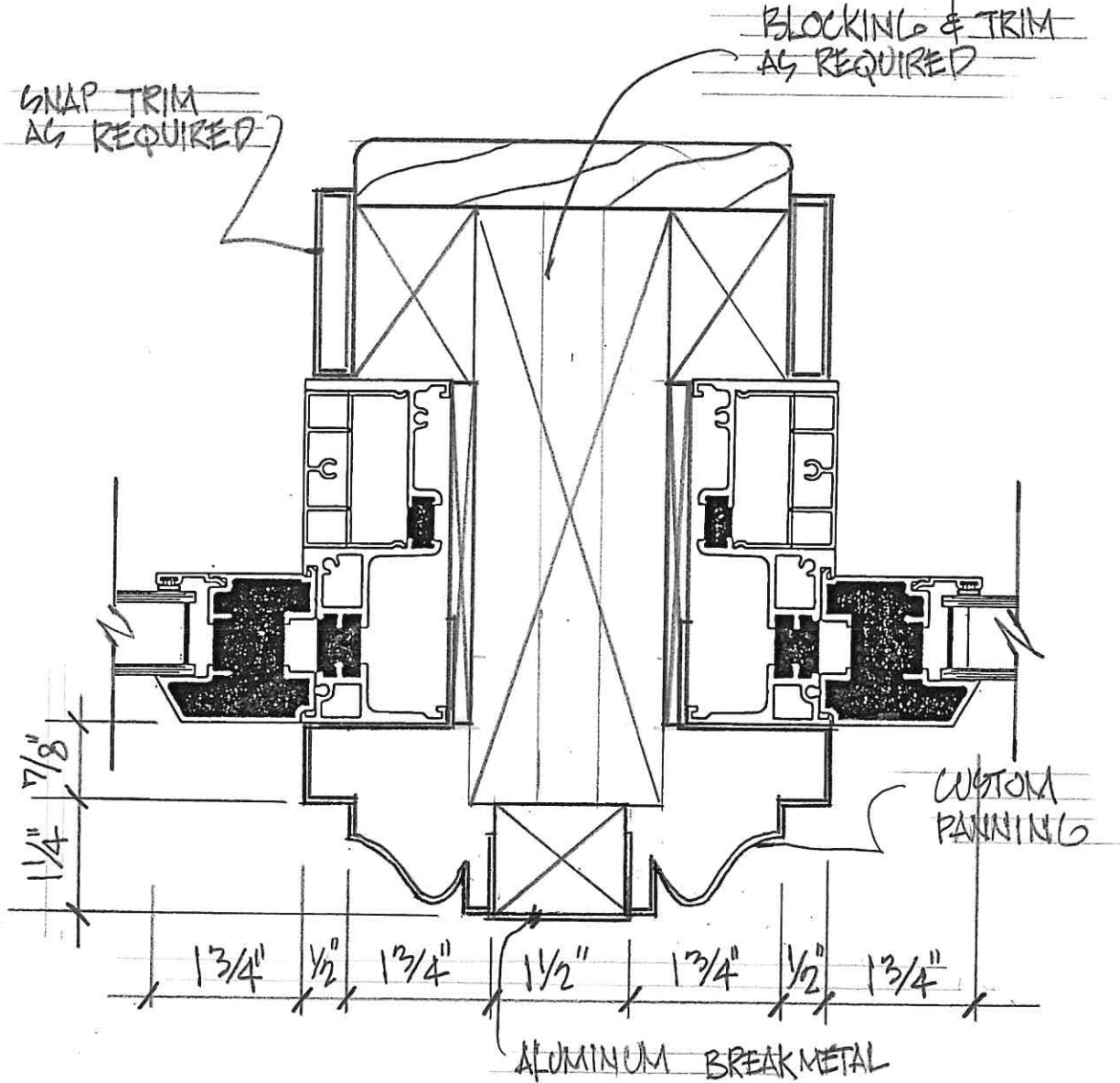
BREAK METAL SILL EXTENSION

PROPOSED

MULLION



EXISTING



PROPOSED