



WOODWRIGHT® DOUBLE-HUNG FULL-FRAME WINDOWS

- Tables of Sizes 50-56
- Specifications 54-61
- Custom Sizes 62
- Grille Patterns 63
- Window Details 63-64
- Joining Details 65
- Combination Designs 181
- Product Performance 197

CUSTOM SIZING
in 1/8" (3) increments 
CUSTOM SIZES

Dimensions in parentheses are in millimeters.

WOODWRIGHT® DOUBLE-HUNG FULL-FRAME WINDOWS

FEATURES

FRAME

- A** Perma-Shield® exterior cladding protects the frame – beautifully. Best of all, it's low maintenance and never needs painting.*
- B** For exceptional long-lasting performance, sill members are constructed with a wood core and a Fibrex® material exterior.
- C** Natural wood stops are available in pine, maple, oak and prefinished white. Wood jamb liners add beauty and authenticity to the window interior.
- D** A factory-applied rigid vinyl flange on the head, sill and sides of the outer frame helps secure the unit to the structure.
- E** Multiple weatherstrip systems help provide a barrier against wind, rain and dust. The combination of spring-tension vinyl, rigid vinyl and flexible bulb weatherstrip is efficient and effective.
- F** For units with white exterior color, the exterior jamb liner is white. For all other units, the exterior jamb liner is gray.

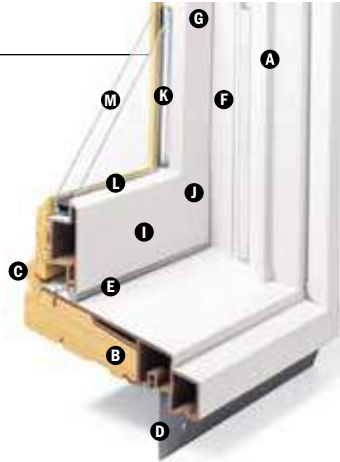
SASH

- G** Balancers in the sash enable contractors to screw through the jamb during installation without interfering with the window's operation.

Wood Jamb Liner



- H** Natural wood sash interior with classic chamfer detailing. Available in pine, maple, oak or prefinished white.
- I** Low-maintenance sash exterior provides long-lasting protection and performance. Sash exteriors on most units include Fibrex material.
- J** Sash joints simulate the look of traditional mortise-and-tenon construction inside and out.



GLASS

- K** In addition to stainless steel glass spacers, black or white glass spacers are now available to allow the spacer to blend in with the unit color.
- L** Silicone bed glazing provides superior weathertightness and durability.
- M** High-Performance options include:

- Low-E4® glass
- Low-E4 HeatLock® glass
- Low-E4 SmartSun™ glass
- Low-E4 SmartSun HeatLock glass
- Low-E4 Sun glass

Tempered and other glass options are available. Contact your Andersen supplier.

A removable translucent film helps shield the glass from damage during delivery and construction, and simplifies finishing at the job site.

Patterned Glass

Patterned glass options are available. See page 12 for more details.

HARDWARE



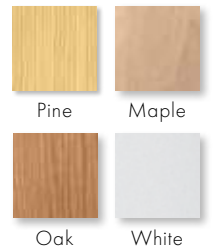
Standard lock and keeper design provides an easy tilt-to-clean feature integrated into the lock.

EXTERIOR & INTERIOR OPTIONS

EXTERIOR COLORS



INTERIOR OPTIONS



HARDWARE



Standard Lock & Keeper

Antique Brass | **Black** | Bright Brass
 Brushed Chrome | Distressed Bronze
 Distressed Nickel | Gold Dust
 Oil Rubbed Bronze | Polished Chrome
 Satin Nickel | Stone | White

OPTIONAL HARDWARE Sold Separately

CONTEMPORARY



Bar Lift

Available in all hardware finishes.
 Shown in **Distressed Nickel**.

ESTATE™



Hand Lift

Finger Lifts

Antique Brass | Bright Brass
 Brushed Chrome | Distressed Bronze
 Distressed Nickel | Oil Rubbed Bronze
 Polished Chrome | **Satin Nickel**

TRADITIONAL



Bar Lift



Hand Lift



Finger Lifts

Antique Brass | Black | Bright Brass | Brushed Chrome
 Distressed Bronze | Distressed Nickel | Gold Dust | **Oil Rubbed Bronze**
 Polished Chrome | Satin Nickel | Stone | White

CLASSIC SERIES™



Bar Lift



Hand Lift



Finger Lifts

Stone | **White**

Bold name denotes finish shown.

HARDWARE FINISHES



*Visit andersenwindows.com/warranty for details.

Dimensions in parentheses are in millimeters.

Printing limitations prevent exact replication of colors and finishes.

See your Andersen supplier for actual color and finish samples.

Naturally occurring variations in grain, color and texture of wood make each window one of a kind. All wood interiors are unfinished unless a finish is specified.

Distressed bronze and oil rubbed bronze are "living" finishes that will change with time and use.

StormWATCH
PROTECTION

Performance Grade (PG) Upgrades

Performance upgrades are available for select sizes of standard, non-impact Woodwright® windows allowing these units to achieve higher performance ratings. Performance Grade (PG) ratings are more comprehensive than Design Pressure (DP) ratings for measuring product performance. For up-to-date performance information of individual products, visit andersenwindows.com. Use of this option will subtract 5/8" (16) from clear opening height. Contact your Andersen supplier for availability.

Visit andersenwindows.com/coastal for more information on Stormwatch® Protection.

SHAPES

Woodwright windows are available in the following shapes.



Double-Hung

Springline™
Single-Hung



Arch Double-Hung

Unequal Leg Arch
Double-Hung

SASH OPTIONS*



Cottage

Reverse Cottage

ACCESSORIES Sold Separately

FRAME

Extension Jamb



Standard jamb depth is 4 1/2" (114). Extension jambs are available in unfinished pine or prefinished white. Some sizes may be veneered.

Factory-applied and non-applied interior extension jambs are available in 1/16" (1.5) increments between 5 1/4" (133) and 7 1/8" (181). Extension jambs can be factory applied to either three sides (stool and apron application) or four sides (picture frame casing).

Pine Stool



A clear pine stool is available and ready for finishing. The Woodwright stool is available in 4 9/16" (116) for use in wall depths up to 5 1/4" (133) and 6 9/16" (167) for use in wall depths up to 7 1/8" (181). Works with 2 1/4" (57) and 2 1/2" (64) casing widths. Shown above on a 400 Series tilt-wash double-hung window.

HARDWARE

Window Opening Control Device



A window opening control device is available, which limits sash travel to less than 4" (102) when the window is first opened. Available factory applied, or as a field-applied kit in stone or white.

STORM/INSECT SCREEN COMBINATION UNIT**



A self-storing storm window combined with an insect screen provides greater energy efficiency, while allowing ventilation when needed.

Constructed with an aluminum frame, single-pane upper and lower glass panels, and charcoal powder-coated aluminum screen mesh. Available in white, Sandtone and Terratone to match product exteriors. Canvas, dark bronze, forest green and black are available by special order.

Combination units can improve Sound Transmission Class (STC) and Outdoor Indoor Transmission Class (OITC) ratings. Ideal for projects near airports, busy roadways or other noisy environments. For example, adding a combination unit to a 400 Series tilt-wash double-hung (3862) unit with Low-E4® glass will improve its STC rating from 26 to 32. Contact your Andersen supplier for additional STC and OITC rating information.

INSECT SCREENS

Insect Screen Frames



Choose full insect screen or half insect screen. Half insect screen (shown above) allows ventilation without affecting the view through the upper sash. Frames are available in colors to match product exteriors.

TruScene® Insect Screens

Andersen TruScene insect screens let in over 25% more fresh air† and provide 50% greater clarity than conventional Andersen insect screens, all while keeping out unwanted small insects.

Conventional Insect Screens

Conventional insect screens have charcoal powder-coated aluminum screen mesh.

GRILLES

Grilles are available in a variety of configurations and widths. For double-hung grille patterns, see page 63.

EXTERIOR TRIM

Available with Andersen® exterior trim. See exterior trim section starting on page 175.

CAUTION:

- Painting and staining may cause damage to rigid vinyl.
- 400 Series windows in Terratone color may be painted any color lighter than Terratone color using quality oil-based or latex paint.
- Do not paint 400 Series windows with white, canvas, Sandtone, dark bronze, forest green or black exterior colors.
- Andersen does not warrant the adhesion or performance of homeowner-applied paint over vinyl or other factory-coated surfaces.
- For vinyl painting instructions and preparation, contact your Andersen supplier.
- Do not paint weatherstrip.
- Creosote-based stains should not come in contact with Andersen products.
- Abrasive cleaners or solutions containing corrosive solvents should not be used on Andersen products.

400 Series Woodwright®
Double-Hung Full-Frame
Windows

*Shown on 400 Series tilt-wash double-hung windows.

**Do not add combination units to windows with Low-E4 Sun glass unless window glass is tempered. Combination units may also reduce the overall clear operable area of the window. See your local code official for egress requirements in your area.

†TruScene insect screens let in over 25% more fresh air than standard Andersen fiberglass insect screens.

Dimensions in parentheses are in millimeters.

WOODWRIGHT® DOUBLE-HUNG FULL-FRAME WINDOWS

Table of Woodwright® Double-Hung Window Sizes

Notes on the next page also apply to this page.

Scale 1/8" (3) = 1'-0" (305) – 1:96

Window Dimension	1'-9 5/8" (549)	2'-1 5/8" (651)	2'-5 5/8" (752)	2'-7 5/8" (803)	2'-9 5/8" (854)	2'-11 5/8" (905)	3'-1 5/8" (956)	3'-5 5/8" (1057)	3'-9 5/8" (1159)
Minimum Rough Opening	1'-10 1/8" (562)	2'-2 1/8" (664)	2'-6 1/8" (765)	2'-8 1/8" (816)	2'-10 1/8" (867)	3'-0 1/8" (917)	3'-2 1/8" (968)	3'-6 1/8" (1070)	3'-10 1/8" (1172)
Unobstructed Glass (lower sash only)	15 5/8" (397)	19 5/8" (498)	23 5/8" (600)	25 5/8" (651)	27 5/8" (702)	29 5/8" (752)	31 5/8" (803)	35 5/8" (905)	39 5/8" (1006)

2:3 cottage or 3:2 reverse cottage sash ratio available for all widths and heights. Size tables for windows with cottage or reverse cottage sash are available at andersenwindow.com/sizing.

CUSTOM WIDTHS –
1'-4 1/2" (419) to 3'-9 5/8" (1159)

CUSTOM HEIGHTS –
3'-0 7/8" (937) to 6'-4 7/8" (1953)

		CUSTOM WIDTHS – 16 1/2" to 45 5/8"												
		CUSTOM HEIGHTS – 32" to 76 7/8"												
3'-0 7/8" (937)	3'-0 7/8" (937)												Cottage	Reverse Cottage
		WDH18210	WDH20210	WDH24210	WDH26210	WDH28210	WDH210210	WDH30210	WDH34210	WDH38210				
3'-4 7/8" (1038)	3'-4 7/8" (1038)													
		WDH1832	WDH2032	WDH2432	WDH2632	WDH2832	WDH21032	WDH3032	WDH3432	WDH3832				
3'-8 7/8" (1140)	3'-8 7/8" (1140)													
		WDH1836	WDH2036	WDH2436	WDH2636	WDH2836	WDH21036	WDH3036	WDH3436	WDH3836				
4'-0 7/8" (1241)	4'-0 7/8" (1241)													
		WDH18310	WDH20310	WDH24310	WDH26310	WDH28310	WDH210310	WDH30310	WDH34310	WDH38310				
4'-4 7/8" (1343)	4'-4 7/8" (1343)													
		WDH1842	WDH2042	WDH2442	WDH2642	WDH2842	WDH21042	WDH3042	WDH3442	WDH3842				
4'-8 7/8" (1445)	4'-8 7/8" (1445)													
		WDH1846	WDH2046	WDH2446	WDH2646	WDH2846	WDH21046	WDH3046°	WDH3446°	WDH3846°				
5'-0 7/8" (1546)	5'-0 7/8" (1546)													
		WDH18410	WDH20410	WDH24410	WDH26410	WDH28410	WDH210410°	WDH30410°	WDH34410°	WDH38410°				
5'-4 7/8" (1648)	5'-4 7/8" (1648)													
		WDH1852	WDH2052	WDH2452	WDH2652	WDH2852°	WDH21052°	WDH3052°	WDH3452°	WDH3852°				
5'-8 7/8" (1749)	5'-8 7/8" (1749)													
		WDH1856	WDH2056	WDH2456	WDH2656°	WDH2856°	WDH21056°	WDH3056°	WDH3456°	WDH3856°				
6'-0 7/8" (1851)	6'-0 7/8" (1851)													
		WDH18510	WDH20510	WDH24510°	WDH26510°	WDH28510°	WDH210510°	WDH30510°	WDH34510°	WDH38510°				
6'-4 7/8" (1953)	6'-4 7/8" (1953)													
		WDH1862	WDH2062	WDH2462°	WDH2662°	WDH2862°	WDH21062°	WDH3062°	WDH3462°	WDH3862°				

Table of Woodwright® Springline™ Single-Hung Window Sizes

Scale 1/8" (3) = 1'-0" (305) – 1:96

Window Dimension	2'-1 5/8" (651)	2'-5 5/8" (752)	2'-7 5/8" (803)	2'-9 5/8" (854)	2'-11 5/8" (905)	3'-1 5/8" (956)	3'-5 5/8" (1057)	3'-9 5/8" (1159)
Minimum Rough Opening	2'-2 1/8" (664)	2'-6 1/8" (765)	2'-8 1/8" (816)	2'-10 1/8" (867)	3'-0 1/8" (917)	3'-2 1/8" (968)	3'-6 1/8" (1070)	3'-10 1/8" (1172)
Unobstructed Glass (lower sash only)	19 5/8" (498)	23 5/8" (600)	25 5/8" (651)	27 5/8" (702)	29 5/8" (752)	31 5/8" (803)	35 5/8" (905)	39 5/8" (1006)

		CUSTOM WIDTHS – 25 5/8" to 45 5/8"							
		12 13/16" (325)	14 13/16" (376)	15 13/16" (402)	16 13/16" (427)	17 13/16" (452)	18 13/16" (478)	20 13/16" (529)	22 13/16" (579)
Unobstructed Glass (lower sash only)	Side Height	Radius and Chord Height							
		12 13/16" (325)	14 13/16" (376)	15 13/16" (402)	16 13/16" (427)	17 13/16" (452)	18 13/16" (478)	20 13/16" (529)	22 13/16" (579)
CUSTOM HEIGHTS – 52 13/16" to 76 1/2"	21 3/8" (543)	4'-4 13/16" (1341) WS2042	4'-6 13/16" (1392) WS2442	4'-7 13/16" (1418) WS2642	4'-8 13/16" (1443) WS2842	4'-9 13/16" (1468) WS21042	4'-10 13/16" (1494) WS3042	5'-0 13/16" (1545) WS3442	5'-2 13/16" (1595) WS3842
	23 3/8" (594)	4'-7 13/16" (1418) WS2046	4'-9 13/16" (1468) WS2446	4'-10 13/16" (1494) WS2646	4'-11 13/16" (1519) WS2846	5'-0 13/16" (1545) WS21046	5'-1 13/16" (1570) WS3046	5'-3 13/16" (1621) WS3446	5'-5 13/16" (1672) WS3846
	25 3/8" (645)	4'-10 13/16" (1494) WS20410	5'-0 13/16" (1545) WS24410	5'-1 13/16" (1570) WS26410	5'-2 13/16" (1595) WS28410	5'-3 13/16" (1621) WS210410	5'-4 13/16" (1646) WS30410	5'-6 13/16" (1697) WS34410	5'-8 13/16" (1748) WS38410
	27 3/8" (695)	5'-1 13/16" (1570) WS2052	5'-3 13/16" (1621) WS2452	5'-4 13/16" (1646) WS2652	5'-5 13/16" (1672) WS2852	5'-6 13/16" (1697) WS21052	5'-7 13/16" (1722) WS3052	5'-9 13/16" (1773) WS3452	5'-11 13/16" (1824) WS3852
	29 3/8" (746)	5'-9 13/16" (1774) WS2056	5'-11 13/16" (1825) WS2456	6'-0 13/16" (1850) WS2656	6'-1 13/16" (1875) WS2856	6'-2 13/16" (1901) WS21056	6'-3 13/16" (1926) WS3056	6'-5 13/16" (1977) WS3456	6'-7 13/16" (2028) WS3856
	31 3/8" (797)	6'-1 3/16" (1859) WS20510	6'-3 3/16" (1910) WS24510	6'-4 3/16" (1935) WS26510	6'-5 3/16" (1961) WS28510	6'-6 3/16" (1986) WS210510	6'-7 3/16" (2011) WS30510	6'-9 3/16" (2062) WS34510	6'-11 3/16" (2113) WS38510
	33 3/8" (848)	6'-4 1/2" (1943) WS2062	6'-6 1/2" (1994) WS2462	6'-7 1/2" (2019) WS2662	6'-8 1/2" (2045) WS2862	6'-9 1/2" (2070) WS21062	6'-10 1/2" (2096) WS3062	7'-0 1/2" (2146) WS3462	7'-2 1/2" (2197) WS3862



Custom-size windows are available in 1/8" (3) increments. See page 62 for custom sizing.

Grille patterns shown on page 63.

Woodwright Springline single-hung only: Minimum rough opening height is the same as the window dimension height. Upper sash does not operate and lower sash travel is limited by the radius of the upper sash. Contact your Andersen supplier for cottage and reverse cottage sash availability. **Side-by-side joining is not recommended.**

400 Series Woodwright® Double-Hung Full-Frame Windows

Window Dimension always refers to outside frame-to-frame dimension.
 • **Minimum Rough Opening** dimensions may need to be increased to allow for use of building wraps, flashing, sill panning, brackets, fasteners or other items. See pages 210-211 for more details.
 • Dimensions in parentheses are in millimeters.
 ◊ Meet or exceed clear opening area of 5.7 sq. ft. or 0.53 m², clear opening width of 20" (508) and clear opening height of 24" (210). See tables on pages 57-58.

WOODWRIGHT® DOUBLE-HUNG FULL-FRAME WINDOWS

Table of Woodwright® Arch Double-Hung Window Sizes

Scale 1/8" (3) = 1'-0" (305) – 1:96

Notes on the next page also apply to this page.

Window Dimension	1'-9 5/8" (549)	2'-1 5/8" (651)	2'-5 5/8" (752)	2'-7 5/8" (803)	2'-9 5/8" (854)	2'-11 5/8" (905)	3'-1 5/8" (956)	3'-5 5/8" (1057)	3'-9 5/8" (1159)
Minimum Rough Opening	1'-10 1/8" (562)	2'-2 1/8" (664)	2'-6 1/8" (765)	2'-8 1/8" (816)	2'-10 1/8" (867)	3'-0 1/8" (917)	3'-2 1/8" (968)	3'-6 1/8" (1070)	3'-10 1/8" (1172)
Unobstructed Glass (lower sash only)	15 5/8" (397)	19 5/8" (498)	23 5/8" (600)	25 5/8" (651)	27 5/8" (702)	29 5/8" (752)	31 5/8" (803)	35 5/8" (905)	39 5/8" (1006)

Side Height	CUSTOM WIDTHS – 21 5/8" to 45 5/8"									
	Radius	21 5/8" (549)	25 5/8" (651)	29 5/8" (752)	31 5/8" (803)	33 5/8" (854)	35 5/8" (905)	37 5/8" (956)	41 5/8" (1057)	45 5/8" (1159)
3'-0 7/8" (937)	2'-9 15/16" (862)	2'-1 15/16" (964)	2'-5 7/16" (951)	2'-7 7/16" (937)	2'-9 7/16" (930)	2'-11 7/16" (930)	3'-0 7/16" (930)	3'-4 7/16" (1026)	3'-8 7/16" (1113)	3'-12 7/16" (1200)
3'-4 7/8" (1038)	2'-9 15/16" (862)	2'-1 15/16" (964)	2'-5 7/16" (951)	2'-7 7/16" (937)	2'-9 7/16" (930)	2'-11 7/16" (930)	3'-0 7/16" (930)	3'-4 7/16" (1026)	3'-8 7/16" (1113)	3'-12 7/16" (1200)
3'-8 7/8" (1140)	2'-9 15/16" (862)	2'-1 15/16" (964)	2'-5 7/16" (951)	2'-7 7/16" (937)	2'-9 7/16" (930)	2'-11 7/16" (930)	3'-0 7/16" (930)	3'-4 7/16" (1026)	3'-8 7/16" (1113)	3'-12 7/16" (1200)
4'-0 7/8" (1241)	2'-9 15/16" (862)	2'-1 15/16" (964)	2'-5 7/16" (951)	2'-7 7/16" (937)	2'-9 7/16" (930)	2'-11 7/16" (930)	3'-0 7/16" (930)	3'-4 7/16" (1026)	3'-8 7/16" (1113)	3'-12 7/16" (1200)
4'-4 7/8" (1343)	2'-9 15/16" (862)	2'-1 15/16" (964)	2'-5 7/16" (951)	2'-7 7/16" (937)	2'-9 7/16" (930)	2'-11 7/16" (930)	3'-0 7/16" (930)	3'-4 7/16" (1026)	3'-8 7/16" (1113)	3'-12 7/16" (1200)
4'-8 7/8" (1445)	2'-9 15/16" (862)	2'-1 15/16" (964)	2'-5 7/16" (951)	2'-7 7/16" (937)	2'-9 7/16" (930)	2'-11 7/16" (930)	3'-0 7/16" (930)	3'-4 7/16" (1026)	3'-8 7/16" (1113)	3'-12 7/16" (1200)
5'-0 7/8" (1546)	2'-9 15/16" (862)	2'-1 15/16" (964)	2'-5 7/16" (951)	2'-7 7/16" (937)	2'-9 7/16" (930)	2'-11 7/16" (930)	3'-0 7/16" (930)	3'-4 7/16" (1026)	3'-8 7/16" (1113)	3'-12 7/16" (1200)
5'-4 7/8" (1648)	2'-9 15/16" (862)	2'-1 15/16" (964)	2'-5 7/16" (951)	2'-7 7/16" (937)	2'-9 7/16" (930)	2'-11 7/16" (930)	3'-0 7/16" (930)	3'-4 7/16" (1026)	3'-8 7/16" (1113)	3'-12 7/16" (1200)
5'-8 7/8" (1749)	2'-9 15/16" (862)	2'-1 15/16" (964)	2'-5 7/16" (951)	2'-7 7/16" (937)	2'-9 7/16" (930)	2'-11 7/16" (930)	3'-0 7/16" (930)	3'-4 7/16" (1026)	3'-8 7/16" (1113)	3'-12 7/16" (1200)
6'-0 7/8" (1851)	2'-9 15/16" (862)	2'-1 15/16" (964)	2'-5 7/16" (951)	2'-7 7/16" (937)	2'-9 7/16" (930)	2'-11 7/16" (930)	3'-0 7/16" (930)	3'-4 7/16" (1026)	3'-8 7/16" (1113)	3'-12 7/16" (1200)
6'-4 7/8" (1953)	2'-9 15/16" (862)	2'-1 15/16" (964)	2'-5 7/16" (951)	2'-7 7/16" (937)	2'-9 7/16" (930)	2'-11 7/16" (930)	3'-0 7/16" (930)	3'-4 7/16" (1026)	3'-8 7/16" (1113)	3'-12 7/16" (1200)
33 3/8" (848)	2'-9 15/16" (862)	2'-1 15/16" (964)	2'-5 7/16" (951)	2'-7 7/16" (937)	2'-9 7/16" (930)	2'-11 7/16" (930)	3'-0 7/16" (930)	3'-4 7/16" (1026)	3'-8 7/16" (1113)	3'-12 7/16" (1200)

Side-by-side joining of arch double-hung windows is not recommended.

Table of Woodwright® Unequal Leg Arch Double-Hung Window Sizes

Scale 1/8" (3) = 1'-0" (305) – 1:96

Window Dimension	1'-9 5/8" (549)	2'-1 5/8" (651)	2'-5 5/8" (752)	2'-7 5/8" (803)	2'-9 5/8" (854)	2'-11 5/8" (905)	3'-1 5/8" (956)	3'-5 5/8" (1057)	3'-9 5/8" (1159)
Minimum Rough Opening	1'-10 1/8" (562)	2'-2 1/8" (664)	2'-6 1/8" (765)	2'-8 1/8" (816)	2'-10 1/8" (867)	3'-0 1/8" (917)	3'-2 1/8" (968)	3'-6 1/8" (1070)	3'-10 1/8" (1172)
Unobstructed Glass (lower sash only)	15 5/8" (397)	19 5/8" (498)	23 5/8" (600)	25 5/8" (651)	27 5/8" (702)	29 5/8" (752)	31 5/8" (803)	35 5/8" (905)	39 5/8" (1006)

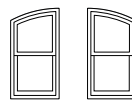
CUSTOM WIDTHS – 21 5/8" to 45 5/8"									
Radius	45 5/8" (1159)	45 5/8" (1159)	45 5/8" (1159)	45 5/8" (1159)	45 5/8" (1159)	96" (2438)	96" (2438)	96" (2438)	96" (2438)
Chord Height	5 7/16" (138)	7 7/8" (200)	10 15/16" (279)	12 3/4" (324)	14 13/16" (376)	6 13/16" (173)	7 11/16" (195)	9 1/2" (241)	11 9/16" (294)

CUSTOM HEIGHTS – 44 7/8" to 76 7/8"									
Side Height	3'-8 7/8" (1140)	3'-8 7/8" (1140)	3'-8 7/8" (1140)	3'-8 7/8" (1140)	3'-8 7/8" (1140)	3'-8 7/8" (1140)	3'-8 7/8" (1140)	3'-8 7/8" (1140)	3'-8 7/8" (1140)
3'-8 7/8" (1140)	3'-8 7/8" (1140)	3'-8 7/8" (1140)	3'-8 7/8" (1140)	3'-8 7/8" (1140)	3'-8 7/8" (1140)	3'-8 7/8" (1140)	3'-8 7/8" (1140)	3'-8 7/8" (1140)	3'-8 7/8" (1140)
4'-0 7/8" (1241)	4'-0 7/8" (1241)	4'-0 7/8" (1241)	4'-0 7/8" (1241)	4'-0 7/8" (1241)	4'-0 7/8" (1241)	4'-0 7/8" (1241)	4'-0 7/8" (1241)	4'-0 7/8" (1241)	4'-0 7/8" (1241)
4'-4 7/8" (1343)	4'-4 7/8" (1343)	4'-4 7/8" (1343)	4'-4 7/8" (1343)	4'-4 7/8" (1343)	4'-4 7/8" (1343)	4'-4 7/8" (1343)	4'-4 7/8" (1343)	4'-4 7/8" (1343)	4'-4 7/8" (1343)
4'-8 7/8" (1445)	4'-8 7/8" (1445)	4'-8 7/8" (1445)	4'-8 7/8" (1445)	4'-8 7/8" (1445)	4'-8 7/8" (1445)	4'-8 7/8" (1445)	4'-8 7/8" (1445)	4'-8 7/8" (1445)	4'-8 7/8" (1445)
5'-0 7/8" (1546)	5'-0 7/8" (1546)	5'-0 7/8" (1546)	5'-0 7/8" (1546)	5'-0 7/8" (1546)	5'-0 7/8" (1546)	5'-0 7/8" (1546)	5'-0 7/8" (1546)	5'-0 7/8" (1546)	5'-0 7/8" (1546)
5'-4 7/8" (1648)	5'-4 7/8" (1648)	5'-4 7/8" (1648)	5'-4 7/8" (1648)	5'-4 7/8" (1648)	5'-4 7/8" (1648)	5'-4 7/8" (1648)	5'-4 7/8" (1648)	5'-4 7/8" (1648)	5'-4 7/8" (1648)
5'-8 7/8" (1749)	5'-8 7/8" (1749)	5'-8 7/8" (1749)	5'-8 7/8" (1749)	5'-8 7/8" (1749)	5'-8 7/8" (1749)	5'-8 7/8" (1749)	5'-8 7/8" (1749)	5'-8 7/8" (1749)	5'-8 7/8" (1749)
6'-0 7/8" (1851)	6'-0 7/8" (1851)	6'-0 7/8" (1851)	6'-0 7/8" (1851)	6'-0 7/8" (1851)	6'-0 7/8" (1851)	6'-0 7/8" (1851)	6'-0 7/8" (1851)	6'-0 7/8" (1851)	6'-0 7/8" (1851)
6'-4 7/8" (1953)	6'-4 7/8" (1953)	6'-4 7/8" (1953)	6'-4 7/8" (1953)	6'-4 7/8" (1953)	6'-4 7/8" (1953)	6'-4 7/8" (1953)	6'-4 7/8" (1953)	6'-4 7/8" (1953)	6'-4 7/8" (1953)

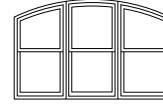


Custom-size windows are available in 1/8" (3) increments. See page 62 for custom sizing.

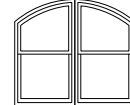
Lower sash travel is limited by the radius of the upper sash. Contact your Andersen supplier for cottage and reverse cottage sash availability.



Choose left facing or right facing as viewed from the exterior.



Arch double-hung with flanking unequal leg arch double-hungs.



Joining long sides creates a smooth arc. **Joining short sides is not recommended.**

*Window Dimension always refers to outside frame-to-frame dimension.
 **Minimum Rough Opening dimensions may need to be increased to allow for use of building wraps, flashing, sill panning, brackets, fasteners or other items. See pages 210-211 for more details.
 †Dimensions in parentheses are in millimeters.
 ‡ Meet or exceed clear opening area of 5.7 sq. ft. or 0.53 m²; clear opening width of 20" (508) and clear opening height of 24" (210). See tables on pages 59-61.

400 Series Woodwright®
Double-Hung Full-Frame
Windows

WOODWRIGHT® DOUBLE-HUNG FULL-FRAME WINDOWS

Table of Woodwright® Transom Window Sizes

Scale 1/8" (3) = 1'-0" (305) – 1:96

Notes on the next page also apply to this page.

Window Dimension	1'-9 5/8"	2'-1 5/8"	2'-5 5/8"	2'-7 5/8"	2'-9 5/8"	2'-11 5/8"	3'-1 5/8"	3'-5 5/8"	3'-9 5/8"	3'-11 5/16"
	(549)	(651)	(752)	(803)	(854)	(905)	(956)	(1057)	(1159)	(1202)
Minimum Rough Opening	1'-10 1/8"	2'-2 1/8"	2'-6 1/8"	2'-8 1/8"	2'-10 1/8"	3'-0 1/8"	3'-2 1/8"	3'-6 1/8"	3'-10 1/8"	3'-11 7/8"
	(562)	(664)	(765)	(816)	(867)	(917)	(968)	(1070)	(1172)	(1215)
Unobstructed Glass	15 5/8"	19 5/8"	23 5/8"	25 5/8"	27 5/8"	29 5/8"	31 5/8"	35 5/8"	39 5/8"	41 1/4"
	(397)	(498)	(600)	(651)	(702)	(752)	(803)	(905)	(1006)	(1048)

CUSTOM WIDTHS – 12" to 75 5/16"

CUSTOM HEIGHTS – 12" to 39 5/16"	CUSTOM WIDTHS – 12" to 75 5/16"									
1'-0" (305)	WTR1810	WTR2010	WTR2410	WTR2610	WTR2810	WTR21010	WTR3010	WTR3410	WTR3810	WTR31010
1'-0 1/2" (491)	WTR1815	WTR2015	WTR2415	WTR2615	WTR2815	WTR21015	WTR3015	WTR3415	WTR3815	WTR31015
1'-7 7/8" (504)	WTR1817	WTR2017	WTR2417	WTR2617	WTR2817	WTR21017	WTR3017	WTR3417	WTR3817	WTR31017
1'-9 5/16" (541)	WTR1811	WTR2011	WTR2411	WTR2611	WTR2811	WTR21011	WTR3011	WTR3411	WTR3811	WTR31011
1'-9 7/8" (555)	WTR1821	WTR2021	WTR2421	WTR2621	WTR2821	WTR21021	WTR3021	WTR3421	WTR3821	WTR31021
1'-10 1/2" (643)	WTR1823	WTR2023	WTR2423	WTR2623	WTR2823	WTR21023	WTR3023	WTR3423	WTR3823	WTR31023
2'-1 5/16" (657)	WTR1827	WTR2027	WTR2427	WTR2627	WTR2827	WTR21027	WTR3027	WTR3427	WTR3827	WTR31027
2'-1 7/8" (667)	WTR1831	WTR2031	WTR2431	WTR2631	WTR2831	WTR21031	WTR3031	WTR3431	WTR3831	WTR31031
2'-2 1/8" (694)										
2'-2 5/16" (707)										
2'-3 5/16" (745)										
2'-3 7/8" (758)										
2'-5 5/16" (846)										
2'-5 7/8" (860)										
2'-9 5/16" (999)										
2'-9 7/8" (1012)										
3'-3 5/16" (867)										
3'-3 7/8" (867)										

- *"Window Dimension" always refers to outside frame-to-frame dimension.
- *"Minimum Rough Opening" dimensions may need to be increased to allow for use of building wraps, flashing, sill panning, brackets, fasteners or other items. See pages 210-211 for more details.
- *Dimensions in parentheses are in millimeters.

Woodwright® Transom Window Area Specifications

Window Number	Glass Area Sq. Ft./ (m ²)	Overall Window Area Sq. Ft./ (m ²)
WTR1810	0.74 (0.07)	1.80 (0.17)
WTR1815	1.53 (0.14)	2.90 (0.27)
WTR1817	1.75 (0.16)	3.20 (0.30)
WTR1811	2.18 (0.20)	3.80 (0.35)
WTR1821	2.40 (0.22)	4.10 (0.38)
WTR1823	2.62 (0.24)	4.40 (0.41)
WTR1827	3.05 (0.28)	5.00 (0.46)
WTR1831	3.70 (0.34)	5.90 (0.55)
WTR2010	0.93 (0.09)	2.14 (0.20)
WTR2015	1.93 (0.18)	3.44 (0.32)
WTR2017	2.20 (0.20)	3.79 (0.35)
WTR2011	2.74 (0.25)	4.50 (0.42)
WTR2021	3.02 (0.28)	4.86 (0.45)
WTR2023	3.29 (0.31)	5.22 (0.48)
WTR2027	3.83 (0.36)	5.93 (0.55)
WTR2031	4.65 (0.43)	7.00 (0.65)
WTR2410	1.12 (0.10)	2.47 (0.23)
WTR2415	2.32 (0.22)	3.97 (0.37)
WTR2417	2.65 (0.25)	4.38 (0.41)
WTR2411	3.30 (0.31)	5.21 (0.48)

Window Number	Glass Area Sq. Ft./ (m ²)	Overall Window Area Sq. Ft./ (m ²)
WTR2421	3.63 (0.34)	5.62 (0.52)
WTR2423	3.96 (0.37)	6.03 (0.56)
WTR2427	4.61 (0.43)	6.85 (0.64)
WTR2431	5.60 (0.52)	8.09 (0.75)
WTR2610	1.21 (0.11)	2.64 (0.24)
WTR2615	2.51 (0.23)	4.24 (0.39)
WTR2617	2.87 (0.27)	4.68 (0.43)
WTR2611	3.58 (0.33)	5.56 (0.52)
WTR2621	3.94 (0.37)	6.00 (0.56)
WTR2623	4.29 (0.40)	6.44 (0.60)
WTR2627	5.00 (0.46)	7.32 (0.68)
WTR2631	6.07 (0.56)	8.63 (0.80)
WTR2810	1.31 (0.12)	2.80 (0.26)
WTR2815	2.71 (0.25)	4.51 (0.42)
WTR2817	3.09 (0.29)	4.98 (0.46)
WTR2811	3.86 (0.36)	5.91 (0.55)
WTR2821	4.24 (0.39)	6.38 (0.59)
WTR2823	4.63 (0.43)	6.84 (0.64)
WTR2827	5.40 (0.50)	7.78 (0.72)
WTR2831	6.55 (0.61)	9.18 (0.85)

Window Number	Glass Area Sq. Ft./ (m ²)	Overall Window Area Sq. Ft./ (m ²)
WTR21010	1.40 (0.13)	2.97 (0.28)
WTR21015	2.91 (0.27)	4.78 (0.44)
WTR21017	3.32 (0.31)	5.27 (0.49)
WTR21011	4.14 (0.38)	6.26 (0.58)
WTR21021	4.55 (0.42)	6.76 (0.63)
WTR21023	4.96 (0.46)	7.25 (0.67)
WTR21027	5.79 (0.54)	8.24 (0.77)
WTR21031	7.02 (0.65)	9.73 (0.90)
WTR3010	1.50 (0.14)	3.14 (0.29)
WTR3015	3.10 (0.29)	5.05 (0.47)
WTR3017	3.54 (0.33)	5.57 (0.52)
WTR3011	4.42 (0.41)	6.61 (0.61)
WTR3021	4.86 (0.45)	7.14 (0.66)
WTR3023	5.30 (0.49)	7.66 (0.71)
WTR3027	6.18 (0.57)	8.70 (0.81)
WTR3031	7.49 (0.70)	10.27 (0.95)
WTR3410	1.69 (0.16)	3.47 (0.32)
WTR3415	3.49 (0.32)	5.58 (0.52)

*Dimensions in parentheses are in square meters.

continued on next page

4'-3 5/16" (1303)	4'-11 5/16" (1506)	5'-7 5/16" (1710)	6'-3 5/16" (1913)
4'-3 7/8" (1317)	4'-11 7/8" (1520)	5'-7 7/8" (1724)	6'-3 7/8" (1927)
45 1/4" (1149)	53 1/4" (1353)	61 1/4" (1556)	69 1/4" (1745)



Custom-size windows are available in 1/8" (3) increments. See page 62 for custom sizing.

Grille patterns shown on page 63.



*"Window Dimension" always refers to outside frame-to-frame dimension.
 **"Minimum Rough Opening" dimensions may need to be increased to allow for use of building wraps, flashing, sill panning, brackets, fasteners or other items. See pages 210-211 for more details.
 *Dimensions in parentheses are in millimeters.

400 Series Woodwright® Double-Hung Full-Frame Windows

Woodwright® Transom Window Area Specifications *(continued)*

Window Number	Glass Area Sq. Ft./ (m ²)	Overall Window Area Sq. Ft./ (m ²)
WTR3417	3.99 (0.37)	6.16 (0.57)
WTR34111	4.98 (0.46)	7.32 (0.68)
WTR3421	5.47 (0.51)	7.90 (0.73)
WTR3423	5.97 (0.55)	8.47 (0.79)
WTR3427	6.96 (0.65)	9.63 (0.89)
WTR3431	8.44 (0.78)	11.36 (1.06)
WTR3810	1.87 (0.17)	3.80 (0.35)
WTR3815	3.89 (0.36)	6.12 (0.57)
WTR3817	4.44 (0.41)	6.75 (0.63)
WTR38111	5.54 (0.51)	8.02 (0.75)
WTR3821	6.09 (0.57)	8.65 (0.80)
WTR3823	6.64 (0.62)	9.29 (0.86)
WTR3827	7.74 (0.72)	10.55 (0.98)
WTR3831	9.39 (0.87)	12.46 (1.16)
WTR31010	1.95 (0.18)	3.94 (0.37)
WTR31015	4.05 (0.38)	6.35 (0.59)
WTR31017	4.63 (0.43)	7.00 (0.65)
WTR310111	5.77 (0.54)	8.32 (0.77)
WTR31021	6.35 (0.59)	8.97 (0.83)
WTR31023	6.92 (0.64)	9.63 (0.89)

Window Number	Glass Area Sq. Ft./ (m ²)	Overall Window Area Sq. Ft./ (m ²)
WTR31027	8.07 (0.75)	10.95 (1.02)
WTR31031	9.79 (0.91)	12.92 (1.20)
WTR4210	2.14 (0.20)	4.28 (0.40)
WTR4215	4.44 (0.41)	6.88 (0.64)
WTR4217	5.07 (0.47)	7.59 (0.71)
WTR42111	6.33 (0.59)	9.02 (0.84)
WTR4221	6.96 (0.65)	9.73 (0.90)
WTR4223	7.59 (0.71)	10.45 (0.97)
WTR4227	8.85 (0.82)	11.87 (1.10)
WTR4231	10.74 (1.00)	14.01 (1.30)
WTR41010	2.52 (0.23)	4.94 (0.46)
WTR41015	5.23 (0.49)	7.95 (0.74)
WTR41017	5.97 (0.55)	8.78 (0.82)
WTR410111	7.45 (0.69)	10.43 (0.97)
WTR41021	8.19 (0.76)	11.25 (1.05)
WTR41023	8.93 (0.83)	12.07 (1.12)
WTR41027	10.41 (0.97)	13.72 (1.27)
WTR41031	12.63 (1.17)	16.19 (1.50)
WTR5610	2.90 (0.27)	5.61 (0.52)
WTR5615	6.01 (0.56)	9.03 (0.84)

Window Number	Glass Area Sq. Ft./ (m ²)	Overall Window Area Sq. Ft./ (m ²)
WTR5617	6.87 (0.64)	9.96 (0.93)
WTR56111	8.57 (0.80)	11.83 (1.10)
WTR5621	9.42 (0.88)	12.77 (1.19)
WTR5623	10.27 (0.95)	13.70 (1.27)
WTR5627	11.98 (1.11)	15.57 (1.45)
WTR5631	14.53 (1.35)	18.38 (1.71)
WTR6210	3.28 (0.30)	6.28 (0.58)
WTR6215	6.80 (0.63)	10.10 (0.94)
WTR6217	7.76 (0.72)	11.15 (1.04)
WTR62111	9.69 (0.90)	13.24 (1.23)
WTR6221	10.65 (0.99)	14.28 (1.33)
WTR6223	11.61 (1.08)	15.33 (1.42)
WTR6227	13.54 (1.26)	17.42 (1.62)
WTR6231	16.43 (1.53)	20.56 (1.91)

* Dimensions in parentheses are in square meters.

WOODWRIGHT® DOUBLE-HUNG FULL-FRAME WINDOWS

Table of Woodwright® Picture Window Sizes

Scale 1/8" (3) = 1'-0" (305) – 1:96

Window Dimension	1'-0" (305)	3'-1 5/8" (956)	3'-5 5/8" (1057)	3'-11 5/16" (1202)	4'-3 5/16" (1303)	4'-11 5/16" (1507)	5'-7 5/16" (1710)
Minimum Rough Opening	1'-0 1/2" (318)	3'-2 1/8" (968)	3'-6 1/8" (1070)	3'-11 7/8" (1216)	4'-3 7/8" (1318)	4'-11 7/8" (1521)	5'-7 7/8" (1724)
Unobstructed Glass	6" (152)	31 5/8" (803)	35 5/8" (905)	41 1/4" (1048)	45 1/4" (1149)	53 1/4" (1353)	61 1/4" (1556)

	CUSTOM WIDTHS – 12" to 67 5/16"						
CUSTOM HEIGHTS – 14 1/2" to 76 7/8"							
4'-0 7/8" (1241)							
4'-0 7/8" (1241)	WPW10310	WPW30310	WPW34310	WPW310310	WPW42310	WPW410310	WPW56310
4'-4 7/8" (1343)							
4'-4 7/8" (1343)	WPW1042	WPW3042	WPW3442	WPW31042	WPW4242	WPW41042	WPW5642
4'-8 7/8" (1445)							
4'-8 7/8" (1445)	WPW1046	WPW3046	WPW3446	WPW31046	WPW4246	WPW41046	WPW5646
5'-0 7/8" (1547)							
5'-0 7/8" (1547)	WPW10410	WPW30410	WPW34410	WPW310410	WPW42410	WPW410410	WPW56410
5'-4 7/8" (1648)							
5'-4 7/8" (1648)	WPW1052	WPW3052	WPW3452	WPW31052	WPW4252	WPW41052	WPW5652
5'-8 7/8" (1749)							
5'-8 7/8" (1749)	WPW1056	WPW3056	WPW3456	WPW31056	WPW4256	WPW41056	WPW5656
6'-0 7/8" (1851)							
6'-0 7/8" (1851)	WPW10510	WPW30510	WPW34510	WPW310510	WPW42510	WPW410510	WPW56510
6'-4 7/8" (1953)							
6'-4 7/8" (1953)	WPW1062	WPW3062	WPW3462	WPW31062	WPW4262	WPW41062	WPW5662
69 1/8" (1756)							



Custom-size windows are available in 1/8" (3) increments. See page 62 for custom sizing.

Grille patterns shown on page 63.

* "Window Dimension" always refers to outside frame-to-frame dimension.
 * "Minimum Rough Opening" dimensions may need to be increased to allow for use of building wraps, flashing, sill panning, brackets, fasteners or other items. See pages 210-211 for more details.
 * Dimensions in parentheses are in millimeters.

Woodwright® Double-Hung Window Opening and Area Specifications

Window Number	Clear Opening Area Sq. Ft./ (m ²)	Clear Opening in Full Open Position		Glass Area Sq. Ft./ (m ²)	Vent Area Sq. Ft./ (m ²)	Top of Subfloor to Top of Inside Sill Stop Inches/(mm)	Overall Window Area Sq. Ft./ (m ²)
		Width Inches/(mm)	Height Inches/(mm)				
WDH18210	1.73 (0.16)	17 7/8" (454)	14 1/4" (362)	2.90 (0.27)	1.78 (0.17)	48 1/2" (1231)	5.53 (0.51)
WDH1832	1.98 (0.18)	17 7/8" (454)	16 1/4" (412)	3.32 (0.31)	2.03 (0.19)	44 1/2" (1130)	6.14 (0.57)
WDH1836	2.23 (0.21)	17 7/8" (454)	18 1/4" (463)	3.74 (0.35)	2.28 (0.21)	40 1/2" (1028)	6.74 (0.63)
WDH18310	2.48 (0.23)	17 7/8" (454)	20 1/4" (514)	4.15 (0.39)	2.53 (0.24)	36 1/2" (926)	7.34 (0.68)
WDH1842	2.73 (0.25)	17 7/8" (454)	22 1/4" (565)	4.57 (0.43)	2.78 (0.26)	32 1/2" (825)	7.94 (0.74)
WDH1846	2.90 (0.27)	17 7/8" (454)	24 1/4" (616)	4.98 (0.46)	3.02 (0.28)	28 1/2" (723)	8.54 (0.79)
WDH18410	3.22 (0.30)	17 7/8" (454)	26 1/4" (666)	5.40 (0.50)	3.27 (0.30)	24 1/2" (622)	9.14 (0.85)
WDH1852	3.47 (0.32)	17 7/8" (454)	28 1/4" (717)	5.81 (0.54)	3.52 (0.33)	20 1/2" (520)	9.74 (0.91)
WDH1856	3.72 (0.35)	17 7/8" (454)	30 1/4" (768)	6.23 (0.58)	3.02 (0.28)	16 1/2" (418)	10.34 (0.96)
WDH18510	3.97 (0.37)	17 7/8" (454)	32 1/4" (819)	6.65 (0.62)	4.02 (0.37)	12 1/2" (317)	10.94 (1.02)
WDH1862	4.22 (0.39)	17 7/8" (454)	34 1/4" (870)	7.06 (0.66)	4.26 (0.40)	8 1/2" (215)	11.54 (1.07)
WDH20210	2.12 (0.20)	21 7/8" (556)	14 1/4" (362)	3.68 (0.34)	2.18 (0.20)	48 1/2" (1231)	6.56 (0.61)
WDH2032	2.42 (0.23)	21 7/8" (556)	16 1/4" (412)	4.21 (0.39)	2.48 (0.23)	44 1/2" (1130)	7.27 (0.68)
WDH2036	2.73 (0.25)	21 7/8" (556)	18 1/4" (463)	4.73 (0.44)	2.79 (0.26)	40 1/2" (1028)	7.98 (0.74)
WDH20310	3.03 (0.28)	21 7/8" (556)	20 1/4" (514)	5.26 (0.49)	3.09 (0.29)	36 1/2" (926)	8.69 (0.81)
WDH2042	3.34 (0.31)	21 7/8" (556)	22 1/4" (565)	5.79 (0.54)	3.40 (0.32)	32 1/2" (825)	9.41 (0.87)
WDH2046	3.55 (0.33)	21 7/8" (556)	24 1/4" (616)	6.31 (0.59)	3.70 (0.34)	28 1/2" (723)	10.12 (0.94)
WDH20410	3.94 (0.37)	21 7/8" (556)	26 1/4" (666)	6.84 (0.64)	4.00 (0.37)	24 1/2" (622)	10.83 (1.01)
WDH2052	4.25 (0.39)	21 7/8" (556)	28 1/4" (717)	7.37 (0.69)	4.31 (0.40)	20 1/2" (520)	11.54 (1.07)
WDH2056	4.55 (0.42)	21 7/8" (556)	30 1/4" (768)	7.89 (0.73)	3.70 (0.34)	16 1/2" (418)	12.25 (1.14)
WDH20510	4.86 (0.45)	21 7/8" (556)	32 1/4" (819)	8.42 (0.78)	4.92 (0.46)	12 1/2" (317)	12.96 (1.20)
WDH2062	5.16 (0.48)	21 7/8" (556)	34 1/4" (870)	8.95 (0.83)	5.22 (0.49)	8 1/2" (215)	13.68 (1.27)
WDH24210	2.51 (0.23)	25 7/8" (657)	14 1/4" (362)	4.46 (0.41)	2.58 (0.24)	48 1/2" (1231)	7.58 (0.70)
WDH2432	2.86 (0.27)	25 7/8" (657)	16 1/4" (412)	5.09 (0.47)	2.94 (0.27)	44 1/2" (1130)	8.40 (0.78)
WDH2436	3.22 (0.30)	25 7/8" (657)	18 1/4" (463)	5.73 (0.53)	3.30 (0.31)	40 1/2" (1028)	9.23 (0.86)
WDH24310	3.59 (0.33)	25 7/8" (657)	20 1/4" (514)	6.37 (0.59)	3.66 (0.34)	36 1/2" (926)	10.05 (0.93)
WDH2442	3.95 (0.37)	25 7/8" (657)	22 1/4" (565)	7.01 (0.65)	4.02 (0.37)	32 1/2" (825)	10.87 (1.01)
WDH2446	4.19 (0.39)	25 7/8" (657)	24 1/4" (616)	7.65 (0.71)	4.38 (0.41)	28 1/2" (724)	11.70 (1.09)
WDH24410	4.66 (0.43)	25 7/8" (657)	26 1/4" (666)	8.28 (0.77)	4.74 (0.44)	24 1/2" (622)	12.52 (1.16)
WDH2452	5.02 (0.47)	25 7/8" (657)	28 1/4" (717)	8.92 (0.83)	5.10 (0.47)	20 1/2" (520)	13.34 (1.24)
WDH2456	5.38 (0.50)	25 7/8" (657)	30 1/4" (768)	9.56 (0.89)	4.38 (0.41)	16 1/2" (418)	14.17 (1.32)
WDH24510	5.74 (0.53)	25 7/8" (657)	32 1/4" (819)	10.20 (0.95)	5.81 (0.54)	12 1/2" (317)	14.99 (1.39)
WDH2462	6.10 (0.57)	25 7/8" (657)	34 1/4" (870)	10.84 (1.01)	6.17 (0.57)	8 1/2" (215)	15.81 (1.47)
WDH26210	2.71 (0.25)	27 7/8" (708)	14 1/4" (362)	4.84 (0.45)	2.78 (0.26)	48 1/2" (1231)	8.09 (0.75)
WDH2632	3.09 (0.29)	27 7/8" (708)	16 1/4" (412)	5.54 (0.52)	3.17 (0.30)	44 1/2" (1130)	8.97 (0.83)
WDH2636	3.48 (0.32)	27 7/8" (708)	18 1/4" (463)	6.23 (0.58)	3.55 (0.33)	40 1/2" (1028)	9.85 (0.92)
WDH26310	3.86 (0.36)	27 7/8" (708)	20 1/4" (514)	6.92 (0.64)	3.94 (0.37)	36 1/2" (926)	10.73 (1.00)
WDH2642	4.25 (0.40)	27 7/8" (708)	22 1/4" (565)	7.62 (0.71)	4.33 (0.40)	32 1/2" (825)	11.61 (1.08)
WDH2646	4.52 (0.42)	27 7/8" (708)	24 1/4" (616)	8.31 (0.77)	4.71 (0.44)	28 1/2" (723)	12.49 (1.16)
WDH26410	5.02 (0.47)	27 7/8" (708)	26 1/4" (666)	9.01 (0.84)	5.10 (0.47)	24 1/2" (622)	13.36 (1.24)
WDH2652	5.41 (0.50)	27 7/8" (708)	28 1/4" (717)	9.70 (0.90)	5.49 (0.51)	20 1/2" (520)	14.24 (1.32)
WDH2656	5.80 (0.54)	27 7/8" (708)	30 1/4" (768)	10.39 (0.96)	4.71 (0.44)	16 1/2" (418)	15.12 (1.41)
WDH26510	6.19 (0.57)	27 7/8" (708)	32 1/4" (819)	11.09 (1.03)	6.26 (0.58)	12 1/2" (317)	16.00 (1.49)
WDH2662	6.58 (0.61)	27 7/8" (708)	34 1/4" (870)	11.78 (1.09)	6.65 (0.62)	8 1/2" (215)	16.88 (1.57)
WDH28210	2.90 (0.27)	29 7/8" (759)	14 1/4" (362)	5.23 (0.49)	2.98 (0.28)	48 1/2" (1231)	8.61 (0.80)
WDH2832	3.31 (0.31)	29 7/8" (759)	16 1/4" (412)	5.98 (0.56)	3.39 (0.32)	44 1/2" (1130)	9.54 (0.89)
WDH2836	3.73 (0.35)	29 7/8" (759)	18 1/4" (463)	6.73 (0.63)	3.81 (0.35)	40 1/2" (1028)	10.47 (0.97)
WDH28310	4.14 (0.38)	29 7/8" (759)	20 1/4" (514)	7.48 (0.70)	4.22 (0.39)	36 1/2" (926)	11.41 (1.06)
WDH2842	4.56 (0.42)	29 7/8" (759)	22 1/4" (565)	8.23 (0.77)	4.64 (0.43)	32 1/2" (825)	12.34 (1.15)
WDH2846	4.85 (0.45)	29 7/8" (759)	24 1/4" (616)	8.98 (0.83)	5.05 (0.47)	28 1/2" (723)	13.28 (1.23)
WDH28410	5.38 (0.50)	29 7/8" (759)	26 1/4" (666)	9.73 (0.90)	5.47 (0.51)	24 1/2" (622)	14.21 (1.32)
WDH2852	5.80 (0.54)	29 7/8" (759)	28 1/4" (717)	10.48 (0.97)	5.88 (0.55)	20 1/2" (520)	15.14 (1.41)
WDH2856	6.22 (0.58)	29 7/8" (759)	30 1/4" (768)	11.22 (1.04)	5.05 (0.47)	16 1/2" (418)	16.08 (1.49)
WDH28510	6.63 (0.62)	29 7/8" (759)	32 1/4" (819)	11.97 (1.11)	6.71 (0.62)	12 1/2" (317)	17.01 (1.58)
WDH2862	7.05 (0.66)	29 7/8" (759)	34 1/4" (870)	12.72 (1.18)	7.13 (0.66)	8 1/2" (215)	17.95 (1.67)
WDH210210	3.09 (0.29)	31 7/8" (809)	14 1/4" (362)	5.62 (0.52)	3.18 (0.30)	48 1/2" (1231)	9.12 (0.85)
WDH21032	3.53 (0.33)	31 7/8" (809)	16 1/4" (412)	6.42 (0.60)	3.62 (0.34)	44 1/2" (1130)	10.11 (0.94)
WDH21036	3.97 (0.37)	31 7/8" (809)	18 1/4" (463)	7.23 (0.67)	4.06 (0.38)	40 1/2" (1028)	11.10 (1.03)
WDH210310	4.42 (0.41)	31 7/8" (809)	20 1/4" (514)	8.03 (0.75)	4.51 (0.42)	36 1/2" (926)	12.09 (1.12)
WDH21042	4.86 (0.45)	31 7/8" (809)	22 1/4" (565)	8.84 (0.82)	4.95 (0.46)	32 1/2" (825)	13.08 (1.22)
WDH21046	5.17 (0.48)	31 7/8" (809)	24 1/4" (616)	9.64 (0.90)	5.39 (0.50)	28 1/2" (723)	14.07 (1.31)

For cottage and reverse cottage sash opening specifications, visit andersenwindows.com/openingspecs.

400 Series Woodwright® Double-Hung Full-Frame Windows

* "Top of Subfloor to Top of Inside Sill Stop" is calculated based upon a structural header height of 6'-10 1/2" (2096).
 • Dimensions in parentheses are in millimeters or square meters.
 ◊ Meet or exceed clear opening area of 5.7 sq. ft. or 0.53 m², clear opening width of 20" (508) and clear opening height of 24" (610).

continued on next page

WOODWRIGHT® DOUBLE-HUNG FULL-FRAME WINDOWS

Woodwright® Double-Hung Window Opening and Area Specifications *(continued)*

Window Number	Clear Opening Area Sq. Ft./ (m ²)	Clear Opening in Full Open Position		Glass Area Sq. Ft./ (m ²)	Vent Area Sq. Ft./ (m ²)	Top of Subfloor to Top of Inside Sill Stop Inches/(mm)	Overall Window Area Sq. Ft./ (m ²)
		Width Inches/(mm)	Height Inches/(mm)				
WDH210410 ◊	5.74 (0.53)	31 7/8" (809)	26 1/4" (666)	10.45 (0.97)	5.83 (0.54)	24 1/2" (622)	15.05 (1.40)
WDH21052 ◊	6.18 (0.57)	31 1/8" (809)	28 1/4" (717)	11.25 (1.05)	6.28 (0.58)	20 1/2" (520)	16.04 (1.49)
WDH21056 ◊	6.63 (0.62)	31 7/8" (809)	30 1/4" (768)	12.06 (1.12)	5.39 (0.50)	16 1/2" (418)	17.03 (1.59)
WDH210510 ◊	7.07 (0.66)	31 7/8" (809)	34 1/4" (819)	12.86 (1.20)	7.16 (0.67)	12 1/2" (317)	18.02 (1.67)
WDH21062 ◊	7.52 (0.70)	31 7/8" (809)	34 1/4" (870)	13.67 (1.27)	7.60 (0.71)	8 1/2" (215)	19.01 (1.77)
WDH30210	3.29 (0.31)	33 7/8" (860)	14 1/4" (362)	6.01 (0.56)	3.38 (0.31)	48 1/2" (1231)	9.63 (0.90)
WDH3032	3.75 (0.35)	33 7/8" (860)	16 1/4" (412)	6.87 (0.64)	3.85 (0.36)	44 1/2" (1130)	10.67 (0.99)
WDH3036	4.22 (0.39)	33 7/8" (860)	18 1/4" (463)	7.73 (0.72)	4.32 (0.40)	40 1/2" (1028)	11.72 (1.09)
WDH30310	4.69 (0.44)	33 7/8" (860)	20 1/4" (514)	8.59 (0.80)	4.79 (0.45)	36 1/2" (926)	12.76 (1.19)
WDH3042	5.17 (0.48)	33 7/8" (860)	22 1/4" (565)	9.45 (0.88)	5.26 (0.49)	32 1/2" (825)	13.81 (1.28)
WDH3046 ◊	5.75 (0.53)	33 7/8" (860)	24 1/4" (616)	10.31 (0.96)	5.73 (0.53)	28 1/2" (723)	14.85 (1.38)
WDH30410 ◊	6.10 (0.57)	33 7/8" (860)	26 1/4" (666)	11.17 (1.04)	6.20 (0.58)	24 1/2" (622)	15.90 (1.48)
WDH3052 ◊	6.57 (0.61)	33 7/8" (860)	28 1/4" (717)	12.03 (1.12)	6.67 (0.62)	20 1/2" (520)	16.95 (1.58)
WDH3056 ◊	7.04 (0.65)	33 7/8" (860)	30 1/4" (768)	12.89 (1.20)	5.73 (0.53)	16 1/2" (418)	17.99 (1.67)
WDH30510 ◊	7.52 (0.70)	33 7/8" (860)	32 1/4" (819)	13.75 (1.28)	7.61 (0.71)	12 1/2" (317)	19.04 (1.77)
WDH3062 ◊	7.99 (0.74)	33 7/8" (860)	34 1/4" (870)	14.61 (1.36)	8.08 (0.75)	8 1/2" (215)	20.08 (1.87)
WDH34210	3.68 (0.34)	37 7/8" (962)	14 1/4" (362)	6.79 (0.63)	3.78 (0.35)	48 1/2" (1231)	10.65 (0.99)
WDH3432	4.19 (0.39)	37 7/8" (962)	16 1/4" (412)	7.76 (0.72)	4.30 (0.40)	44 1/2" (1130)	11.81 (1.10)
WDH3436	4.72 (0.44)	37 7/8" (962)	18 1/4" (463)	8.73 (0.81)	4.83 (0.45)	40 1/2" (1028)	12.97 (1.21)
WDH34310	5.25 (0.49)	37 7/8" (962)	20 1/4" (514)	9.70 (0.90)	5.35 (0.50)	36 1/2" (926)	14.12 (1.31)
WDH3442	5.78 (0.54)	37 7/8" (962)	22 1/4" (565)	10.67 (0.99)	5.88 (0.55)	32 1/2" (825)	15.28 (1.42)
WDH3446 ◊	6.14 (0.57)	37 7/8" (962)	24 1/4" (616)	11.64 (1.08)	6.41 (0.60)	28 1/2" (723)	16.43 (1.53)
WDH34410 ◊	6.82 (0.63)	37 7/8" (962)	26 1/4" (666)	12.61 (1.17)	6.93 (0.64)	24 1/2" (622)	17.59 (1.63)
WDH3452 ◊	7.35 (0.68)	37 7/8" (962)	28 1/4" (717)	13.58 (1.26)	7.46 (0.69)	20 1/2" (520)	18.75 (1.74)
WDH3456 ◊	7.88 (0.73)	37 7/8" (962)	30 1/4" (768)	14.55 (1.35)	6.41 (0.60)	16 1/2" (418)	19.90 (1.85)
WDH34510 ◊	8.41 (0.78)	37 7/8" (962)	32 1/4" (819)	15.53 (1.44)	8.51 (0.79)	12 1/2" (317)	21.06 (1.96)
WDH3462 ◊	8.94 (0.83)	37 7/8" (962)	34 1/4" (870)	16.50 (1.53)	9.04 (0.84)	8 1/2" (215)	22.22 (2.06)
WDH38210	4.07 (0.38)	41 7/8" (1064)	14 1/4" (362)	7.56 (0.70)	4.17 (0.39)	48 1/2" (1231)	11.68 (1.09)
WDH3832	4.64 (0.43)	41 7/8" (1064)	16 1/4" (412)	8.64 (0.80)	4.76 (0.44)	44 1/2" (1130)	12.94 (1.20)
WDH3836	5.22 (0.49)	41 7/8" (1064)	18 1/4" (463)	9.72 (0.90)	5.34 (0.50)	40 1/2" (1028)	14.21 (1.32)
WDH38310	5.81 (0.54)	41 7/8" (1064)	20 1/4" (514)	10.81 (1.00)	5.92 (0.55)	36 1/2" (926)	15.48 (1.44)
WDH3842	6.39 (0.59)	41 7/8" (1064)	22 1/4" (565)	11.89 (1.11)	6.50 (0.60)	32 1/2" (825)	16.75 (1.56)
WDH3846 ◊	6.79 (0.63)	41 7/8" (1064)	24 1/4" (616)	12.97 (1.21)	7.08 (0.66)	28 1/2" (723)	18.01 (1.67)
WDH38410 ◊	7.55 (0.70)	41 7/8" (1064)	26 1/4" (666)	14.05 (1.31)	7.66 (0.71)	24 1/2" (622)	19.28 (1.79)
WDH3852 ◊	8.13 (0.76)	41 7/8" (1064)	28 1/4" (717)	15.14 (1.41)	8.25 (0.77)	20 1/2" (520)	20.55 (1.91)
WDH3856 ◊	8.72 (0.81)	41 7/8" (1064)	30 1/4" (768)	16.22 (1.51)	7.08 (0.66)	16 1/2" (418)	21.62 (2.01)
WDH38510 ◊	9.30 (0.86)	41 7/8" (1064)	32 1/4" (819)	17.30 (1.61)	9.41 (0.87)	12 1/2" (317)	23.08 (2.14)
WDH3862 ◊	9.88 (0.92)	41 7/8" (1064)	34 1/4" (870)	18.38 (1.71)	9.99 (0.93)	8 1/2" (215)	24.35 (2.26)

For cottage and reverse cottage sash

opening specifications visit

andersenwindows.com/openingspecs.

Woodwright® Springline™ Single-Hung Window Opening and Area Specifications

Window Number	Clear Opening Area Sq. Ft./ (m ²)	Clear Opening in Full Open Position		Glass Area Sq. Ft./ (m ²)	Vent Area Sq. Ft./ (m ²)	Top of Subfloor to Top of Inside Sill Stop Inches/(mm)	Overall Window Area Sq. Ft./ (m ²)
		Width Inches/(mm)	Height Inches/(mm)				
WS2042	1.39 (0.13)	21 7/8" (556)	9 3/16" (231)	5.48 (0.51)	1.39 (0.13)	32 9/16" (828)	8.90 (0.83)
WS2046	1.54 (0.14)	21 7/8" (556)	10 2/16" (257)	5.88 (0.55)	1.54 (0.14)	29 9/16" (751)	9.44 (0.88)
WS20410	1.69 (0.16)	21 7/8" (556)	11 2/16" (282)	6.29 (0.59)	1.69 (0.16)	26 9/16" (675)	9.97 (0.93)
WS2052	1.84 (0.17)	21 7/8" (556)	12 2/16" (308)	6.70 (0.62)	1.84 (0.17)	23 9/16" (599)	10.51 (0.98)
WS2056	2.76 (0.26)	21 7/8" (556)	18 2/16" (461)	7.80 (0.72)	2.76 (0.26)	15 9/16" (395)	11.94 (1.11)
WS20510	2.96 (0.28)	21 7/8" (556)	19 1/16" (495)	8.25 (0.77)	2.96 (0.28)	12 9/16" (310)	12.53 (1.16)
WS2062	3.16 (0.29)	21 7/8" (556)	20 13/16" (529)	8.71 (0.81)	3.16 (0.29)	8 7/8" (226)	13.12 (1.22)
WS2442	1.64 (0.15)	25 7/8" (658)	9 2/16" (231)	6.85 (0.64)	1.64 (0.15)	30 9/16" (777)	10.62 (0.99)
WS2446	1.82 (0.17)	25 7/8" (658)	10 2/16" (257)	7.34 (0.68)	1.82 (0.17)	27 9/16" (701)	11.23 (1.04)
WS24410	2.00 (0.19)	25 7/8" (658)	11 2/16" (282)	7.83 (0.73)	2.00 (0.19)	24 9/16" (624)	11.85 (1.10)
WS2452	2.18 (0.20)	25 7/8" (658)	12 2/16" (308)	8.33 (0.77)	2.18 (0.20)	21 9/16" (548)	12.47 (1.16)
WS2456	3.26 (0.30)	25 7/8" (658)	18 2/16" (461)	9.65 (0.90)	3.26 (0.30)	13 9/16" (344)	14.12 (1.31)
WS24510	3.50 (0.33)	25 7/8" (658)	19 1/2" (495)	10.19 (0.95)	3.50 (0.33)	10 3/16" (259)	14.81 (1.38)
WS2462	3.74 (0.35)	25 7/8" (658)	20 13/16" (529)	10.74 (1.00)	3.74 (0.35)	6 7/8" (175)	15.49 (1.44)
WS2642	1.76 (0.16)	27 7/8" (708)	9 1/8" (231)	7.57 (0.70)	1.76 (0.16)	29 9/16" (751)	11.51 (1.07)
WS2646	1.96 (0.18)	27 7/8" (708)	10 1/8" (257)	8.10 (0.75)	1.96 (0.18)	26 9/16" (675)	12.17 (1.13)
WS26410	2.15 (0.20)	27 7/8" (708)	11 1/8" (282)	8.64 (0.80)	2.15 (0.20)	23 9/16" (599)	12.82 (1.19)
WS2652	2.35 (0.22)	27 7/8" (708)	12 1/8" (308)	9.17 (0.85)	2.35 (0.22)	20 1/16" (523)	13.48 (1.25)
WS2656	3.52 (0.33)	27 7/8" (708)	18 1/8" (461)	10.60 (0.99)	3.52 (0.33)	12 9/16" (319)	15.25 (1.42)

Top of Subfloor to Top of Inside Sill Stop is calculated based upon a structural header height of 6'-10 1/2" (2096).
 *Dimensions in parentheses are in millimeters or square meters.
 ◊ Meet or exceed clear opening area of 5.7 sq. ft. or 0.53 m², clear opening width of 20" (508) and clear opening height of 24" (610).

Woodwright® Springline™ Single-Hung Window Opening and Area Specifications *(continued)*

Window Number	Clear Opening Area Sq. Ft./ (m ²)	Clear Opening in Full Open Position		Glass Area Sq. Ft./ (m ²)	Vent Area Sq. Ft./ (m ²)	Top of Subfloor to Top of Inside Sill Stop Inches/(mm)	Overall Window Area Sq. Ft./ (m ²)
		Width Inches/(mm)	Height Inches/(mm)				
WS26510	3.77 (0.35)	27 7/8" (708)	19 1/2" (495)	11.19 (1.04)	3.77 (0.35)	9 3/16" (234)	15.98 (1.49)
WS2662	4.03 (0.38)	27 7/8" (708)	20 13/16" (529)	11.79 (1.10)	4.03 (0.38)	* *	16.71 (1.55)
WS2842	1.89 (0.18)	29 1/8" (759)	9 1/8" (231)	8.31 (0.77)	1.89 (0.18)	28 9/16" (726)	12.42 (1.15)
WS2846	2.10 (0.20)	29 7/8" (759)	10 1/8" (257)	8.89 (0.83)	2.10 (0.20)	25 9/16" (650)	13.12 (1.22)
WS28410	2.31 (0.21)	29 7/8" (759)	11 1/8" (282)	9.46 (0.88)	2.31 (0.21)	22 9/16" (574)	13.82 (1.28)
WS2852	2.51 (0.23)	29 7/8" (759)	12 1/8" (308)	10.04 (0.93)	2.51 (0.23)	19 9/16" (497)	14.52 (1.35)
WS2856	3.77 (0.35)	29 7/8" (759)	18 1/8" (461)	11.58 (1.08)	3.77 (0.35)	11 9/16" (293)	16.40 (1.52)
WS28510	4.04 (0.38)	29 7/8" (759)	19 1/8" (495)	12.22 (1.14)	4.04 (0.38)	8 3/16" (209)	17.18 (1.60)
WS2862	4.32 (0.40)	29 7/8" (759)	20 13/16" (529)	12.86 (1.20)	4.32 (0.40)	* *	17.95 (1.67)
WS21042	2.02 (0.19)	31 1/8" (810)	9 1/8" (231)	9.07 (0.84)	2.02 (0.19)	27 9/16" (701)	13.35 (1.24)
WS21046	2.24 (0.21)	31 7/8" (810)	10 1/8" (257)	9.69 (0.90)	2.24 (0.21)	24 9/16" (624)	14.09 (1.31)
WS210410	2.46 (0.23)	31 7/8" (810)	11 1/8" (282)	10.31 (0.96)	2.46 (0.23)	21 9/16" (548)	14.84 (1.38)
WS21052	2.68 (0.25)	31 7/8" (810)	12 1/8" (308)	10.93 (1.02)	2.68 (0.25)	18 9/16" (472)	15.58 (1.45)
WS21056	4.02 (0.37)	31 7/8" (810)	18 1/8" (461)	12.58 (1.17)	4.02 (0.37)	10 9/16" (268)	17.57 (1.63)
WS210510	4.32 (0.40)	31 7/8" (810)	19 1/2" (495)	13.27 (1.23)	4.32 (0.40)	7 3/16" (183)	18.39 (1.71)
WS21062	4.61 (0.43)	31 7/8" (810)	20 13/16" (529)	13.95 (1.30)	4.61 (0.43)	* *	19.22 (1.79)
WS3042	2.14 (0.20)	33 7/8" (861)	9 1/8" (231)	9.86 (0.92)	2.14 (0.20)	26 9/16" (675)	14.31 (1.33)
WS3046	2.38 (0.22)	33 7/8" (861)	10 1/8" (257)	10.52 (0.98)	2.38 (0.22)	23 9/16" (599)	15.09 (1.40)
WS30410	2.62 (0.24)	33 7/8" (861)	11 1/8" (282)	11.18 (1.04)	2.62 (0.24)	20 9/16" (523)	15.87 (1.48)
WS3052	2.85 (0.27)	33 7/8" (861)	12 1/8" (308)	11.84 (1.10)	2.85 (0.27)	17 9/16" (447)	16.66 (1.55)
WS3056	4.27 (0.40)	33 7/8" (861)	18 1/8" (461)	13.60 (1.26)	4.27 (0.40)	9 9/16" (242)	18.76 (1.74)
WS30510	4.59 (0.43)	33 7/8" (861)	19 1/2" (495)	14.33 (1.33)	4.59 (0.43)	6 3/16" (158)	19.63 (1.82)
WS3062	4.90 (0.46)	33 7/8" (861)	20 13/16" (529)	15.07 (1.40)	4.90 (0.46)	* *	20.50 (1.90)
WS3442	2.40 (0.22)	37 7/8" (962)	9 1/8" (231)	11.50 (1.07)	2.40 (0.22)	24 9/16" (624)	16.28 (1.51)
WS3446	2.66 (0.25)	37 7/8" (962)	10 1/8" (257)	12.24 (1.14)	2.66 (0.25)	21 9/16" (548)	17.15 (1.59)
WS34410	2.92 (0.27)	37 7/8" (962)	11 1/8" (282)	12.98 (1.21)	2.92 (0.27)	18 9/16" (472)	18.02 (1.67)
WS3452	3.19 (0.30)	37 7/8" (962)	12 1/8" (308)	13.72 (1.28)	3.19 (0.30)	15 9/16" (396)	18.88 (1.75)
WS3456	4.78 (0.44)	37 7/8" (962)	18 1/8" (461)	15.71 (1.46)	4.78 (0.44)	7 9/16" (192)	21.21 (1.97)
WS34510	5.13 (0.48)	37 7/8" (962)	19 1/2" (495)	16.54 (1.54)	5.13 (0.48)	* *	22.17 (2.06)
WS3462	5.48 (0.51)	37 7/8" (962)	20 13/16" (529)	17.36 (1.61)	5.48 (0.51)	* *	23.13 (2.15)
WS3842	2.65 (0.25)	41 7/8" (1064)	9 1/8" (231)	13.22 (1.23)	2.65 (0.25)	22 9/16" (574)	18.34 (1.70)
WS3846	2.94 (0.27)	41 7/8" (1064)	10 1/8" (257)	14.04 (1.31)	2.94 (0.27)	19 9/16" (497)	19.29 (1.79)
WS38410	3.23 (0.30)	41 7/8" (1064)	11 1/8" (282)	14.87 (1.38)	3.23 (0.30)	16 9/16" (421)	20.24 (1.88)
WS3852	3.52 (0.33)	41 7/8" (1064)	12 1/8" (308)	15.69 (1.46)	3.52 (0.33)	13 9/16" (345)	21.19 (1.97)
WS3856	5.28 (0.49)	41 7/8" (1064)	18 1/8" (461)	17.91 (1.66)	5.28 (0.49)	* *	23.74 (2.21)
WS38510	5.67 (0.53)	41 7/8" (1064)	19 1/2" (495)	18.82 (1.75)	5.67 (0.53)	* *	24.80 (2.30)
WS3862	6.06 (0.56)	41 7/8" (1064)	20 13/16" (529)	19.74 (1.83)	6.06 (0.56)	* *	25.85 (2.40)

Woodwright® Arch Double-Hung Window Opening and Area Specifications

Window Number	Clear Opening Area Sq. Ft./ (m ²)	Clear Opening in Full Open Position		Glass Area Sq. Ft./ (m ²)	Vent Area Sq. Ft./ (m ²)	Top of Subfloor to Top of Inside Sill Stop Inches/(mm)	Overall Window Area Sq. Ft./ (m ²)
		Width Inches/(mm)	Height Inches/(mm)				
WA18210	1.26 (0.12)	17 7/8" (454)	10 3/16" (259)	2.84 (0.26)	1.61 (0.15)	48 1/2" (1232)	5.39 (0.50)
WA1832	1.51 (0.14)	17 7/8" (454)	12 3/16" (309)	3.27 (0.30)	1.85 (0.17)	44 1/2" (1131)	5.99 (0.56)
WA1836	1.76 (0.16)	17 7/8" (454)	14 3/16" (360)	3.71 (0.34)	2.10 (0.20)	40 1/2" (1029)	6.59 (0.61)
WA18310	2.01 (0.19)	17 7/8" (454)	16 3/16" (411)	4.14 (0.39)	2.35 (0.22)	36 1/2" (928)	7.20 (0.67)
WA1842	2.26 (0.21)	17 7/8" (454)	18 3/16" (462)	4.58 (0.43)	2.60 (0.24)	32 1/2" (826)	7.80 (0.72)
WA1846	2.51 (0.23)	17 7/8" (454)	20 3/16" (513)	5.01 (0.47)	2.85 (0.27)	28 1/2" (724)	8.40 (0.78)
WA18410	2.76 (0.26)	17 7/8" (454)	22 3/16" (563)	5.44 (0.51)	3.10 (0.29)	24 1/2" (623)	9.00 (0.84)
WA1852	3.00 (0.28)	17 7/8" (454)	24 3/16" (614)	5.88 (0.55)	3.35 (0.31)	20 1/2" (521)	9.60 (0.89)
WA1856	3.25 (0.30)	17 7/8" (454)	26 3/16" (665)	6.31 (0.59)	3.59 (0.33)	16 1/2" (420)	10.20 (0.95)
WA18510	3.50 (0.33)	17 7/8" (454)	28 3/16" (716)	6.75 (0.63)	3.84 (0.36)	12 1/2" (318)	10.80 (1.00)
WA1862	3.75 (0.35)	17 7/8" (454)	30 3/16" (767)	7.18 (0.67)	4.09 (0.38)	8 1/2" (216)	11.40 (1.06)
WA2032	1.77 (0.16)	21 7/8" (556)	11 5/8" (296)	4.09 (0.38)	2.24 (0.21)	44 1/2" (1131)	7.07 (0.66)
WA2036	2.07 (0.19)	21 7/8" (556)	13 5/8" (347)	4.63 (0.43)	2.55 (0.24)	40 1/2" (1029)	7.78 (0.72)
WA20310	2.38 (0.22)	21 7/8" (556)	15 5/8" (397)	5.18 (0.48)	2.85 (0.27)	36 1/2" (928)	8.50 (0.79)
WA2042	2.68 (0.25)	21 7/8" (556)	17 5/8" (448)	5.72 (0.53)	3.15 (0.29)	32 1/2" (826)	9.21 (0.86)
WA2046	2.99 (0.28)	21 7/8" (556)	19 5/8" (499)	6.27 (0.58)	3.46 (0.32)	28 1/2" (724)	9.92 (0.92)
WA20410	3.29 (0.31)	21 7/8" (556)	21 5/8" (550)	6.81 (0.63)	3.76 (0.35)	24 1/2" (623)	10.63 (0.99)
WA2052	3.59 (0.33)	21 7/8" (556)	23 5/8" (601)	7.36 (0.68)	4.07 (0.38)	20 1/2" (521)	11.34 (1.05)
WA2056	3.90 (0.36)	21 7/8" (556)	25 5/8" (651)	7.90 (0.73)	4.37 (0.41)	16 1/2" (420)	12.05 (1.12)
WA20510	4.20 (0.39)	21 7/8" (556)	27 5/8" (702)	8.45 (0.79)	4.68 (0.43)	12 1/2" (318)	12.77 (1.19)

Woodwright® Picture Window Area Specifications

Window Number	Glass Area Sq. Ft./ (m ²)	Overall Window Area Sq. Ft./ (m ²)
WPW10310	2.03 (0.19)	4.07 (0.38)
WPW1042	2.22 (0.21)	4.41 (0.41)
WPW1046	2.42 (0.23)	4.74 (0.44)
WPW10410	2.61 (0.24)	5.07 (0.47)
WPW1052	2.81 (0.26)	5.41 (0.50)
WPW1056	3.01 (0.28)	5.74 (0.53)
WPW10510	3.20 (0.30)	6.07 (0.56)
WPW1062	3.40 (0.32)	6.41 (0.60)
WPW30310	9.38 (0.87)	12.77 (1.19)
WPW3042	10.29 (0.96)	13.82 (1.28)
WPW3046	11.19 (1.04)	14.86 (1.38)
WPW30410	12.10 (1.12)	15.91 (1.48)
WPW3052	13.01 (1.21)	16.95 (1.58)
WPW3056	13.92 (1.29)	18.00 (1.67)
WPW30510	14.83 (1.38)	19.04 (1.77)
WPW3062	15.73 (1.46)	20.09 (1.87)
WPW34310	10.53 (0.98)	14.13 (1.31)
WPW3442	11.54 (1.07)	15.28 (1.42)
WPW3446	12.56 (1.17)	16.44 (1.53)
WPW34410	13.58 (1.26)	17.60 (1.64)
WPW3452	14.60 (1.36)	18.75 (1.74)
WPW3456	15.62 (1.45)	19.91 (1.85)
WPW34510	16.64 (1.55)	21.07 (1.96)
WPW3462	17.66 (1.64)	22.22 (2.06)
WPW310310	12.16 (1.13)	16.06 (1.49)
WPW31042	13.33 (1.24)	17.37 (1.61)
WPW31046	14.51 (1.35)	18.69 (1.74)
WPW310410	15.69 (1.46)	20.00 (1.86)
WPW31052	16.87 (1.57)	21.32 (1.98)
WPW31056	18.04 (1.68)	22.63 (2.10)
WPW310510	19.22 (1.79)	23.94 (2.22)
WPW31062	20.40 (1.90)	25.26 (2.35)
WPW42310	13.30 (1.24)	17.42 (1.62)
WPW4242	14.20 (1.32)	18.84 (1.75)
WPW4246	15.88 (1.48)	20.27 (1.88)
WPW42410	17.17 (1.60)	21.69 (2.02)
WPW4252	18.46 (1.72)	23.12 (2.15)
WPW4256	19.75 (1.84)	24.54 (2.28)
WPW42510	21.03 (1.95)	25.97 (2.41)
WPW4262	22.32 (2.07)	27.39 (2.55)
WPW410310	15.60 (1.45)	20.13 (1.87)
WPW41042	17.11 (1.59)	21.78 (2.02)
WPW41046	18.62 (1.73)	23.43 (2.18)
WPW410410	20.13 (1.87)	25.07 (2.33)
WPW41052	21.64 (2.01)	26.72 (2.48)
WPW41056	23.15 (2.15)	28.37 (2.64)
WPW410510	24.66 (2.29)	30.02 (2.79)
WPW41062	26.17 (2.43)	31.66 (2.94)
WPW56310	17.89 (1.66)	22.85 (2.12)
WPW5642	19.63 (1.82)	24.72 (2.30)
WPW5646	21.36 (1.98)	26.59 (2.47)
WPW56410	23.09 (2.15)	28.46 (2.64)
WPW5652	24.83 (2.31)	30.33 (2.82)
WPW5656	26.56 (2.47)	32.20 (2.99)
WPW56510	28.29 (2.63)	34.07 (3.17)
WPW5662	30.02 (2.79)	35.93 (3.34)

* Dimensions in parentheses are in square meters.

** Top of Subfloor to Top of Inside Sill Stop" is calculated based upon a structural header height of 6'-10 1/2" (2096).

* Dimensions in parentheses are in millimeters or square meters.

* Dimension varies depending on header height.

continued on next page

400 Series Woodwright®
Double-Hung Full-Frame
Windows

WOODWRIGHT® DOUBLE-HUNG FULL-FRAME WINDOWS

Woodwright® Arch Double-Hung Window Opening and Area Specifications (continued)

Window Number	Clear Opening Area Sq. Ft./ (m ²)	Clear Opening in Full Open Position		Glass Area Sq. Ft./ (m ²)	Vent Area Sq. Ft./ (m ²)	Top of Subfloor to Top of Inside Sill Stop Inches/(mm)	Overall Window Area Sq. Ft./ (m ²)
		Width Inches/(mm)	Height Inches/(mm)				
WA2062	4.51 (0.42)	21 7/8" (556)	29 5/8" (753)	8.99 (0.84)	4.98 (0.46)	8 1/2" (216)	13.48 (1.25)
WA2432	2.00 (0.19)	25 1/8" (658)	11 1/8" (282)	4.89 (0.46)	2.62 (0.24)	44 1/2" (1131)	8.14 (0.76)
WA2436	2.36 (0.22)	25 1/8" (658)	13 1/8" (333)	5.55 (0.52)	2.98 (0.28)	40 1/2" (1029)	8.96 (0.83)
WA24310	2.72 (0.25)	25 1/8" (658)	15 1/8" (384)	6.21 (0.58)	3.34 (0.31)	36 1/2" (928)	9.79 (0.91)
WA2442	3.08 (0.29)	25 1/8" (658)	17 1/8" (435)	6.86 (0.64)	3.70 (0.34)	32 1/2" (826)	10.61 (0.99)
WA2446	3.44 (0.32)	25 1/8" (658)	19 1/8" (485)	7.52 (0.70)	4.06 (0.38)	28 1/2" (724)	11.43 (1.06)
WA24410	3.80 (0.35)	25 1/8" (658)	21 1/8" (536)	8.17 (0.76)	4.42 (0.41)	24 1/2" (623)	12.26 (1.14)
WA2452	4.16 (0.39)	25 1/8" (658)	23 1/8" (587)	8.83 (0.82)	4.78 (0.44)	20 1/2" (521)	13.08 (1.22)
WA2456	4.51 (0.42)	25 1/8" (658)	25 1/8" (638)	9.49 (0.88)	5.14 (0.48)	16 1/2" (420)	13.90 (1.29)
WA24510	4.87 (0.45)	25 1/8" (658)	27 1/8" (689)	10.14 (0.94)	5.50 (0.51)	12 1/2" (318)	14.72 (1.37)
WA2462	5.23 (0.49)	25 1/8" (658)	29 1/8" (739)	10.80 (1.00)	5.86 (0.54)	8 1/2" (216)	15.55 (1.44)
WA2632	2.10 (0.20)	27 7/8" (708)	10 13/16" (275)	5.29 (0.49)	2.81 (0.26)	44 1/2" (1131)	8.67 (0.81)
WA2636	2.49 (0.23)	27 7/8" (708)	12 13/16" (326)	6.00 (0.56)	3.19 (0.30)	40 1/2" (1029)	9.55 (0.89)
WA26310	2.88 (0.27)	27 7/8" (708)	14 13/16" (377)	6.72 (0.62)	3.58 (0.33)	36 1/2" (928)	10.43 (0.97)
WA2642	3.26 (0.30)	27 7/8" (708)	16 13/16" (428)	7.43 (0.69)	3.97 (0.37)	32 1/2" (826)	11.31 (1.05)
WA2646	3.65 (0.34)	27 7/8" (708)	18 13/16" (479)	8.14 (0.76)	4.36 (0.41)	28 1/2" (724)	12.18 (1.13)
WA26410	4.04 (0.38)	27 7/8" (708)	20 13/16" (529)	8.85 (0.82)	4.74 (0.44)	24 1/2" (623)	13.06 (1.21)
WA2652	4.42 (0.41)	27 7/8" (708)	22 13/16" (580)	9.56 (0.89)	5.13 (0.48)	20 1/2" (521)	13.94 (1.30)
WA2656	4.81 (0.45)	27 7/8" (708)	24 13/16" (631)	10.28 (0.96)	5.52 (0.51)	16 1/2" (420)	14.82 (1.38)
WA26510	5.20 (0.48)	27 7/8" (708)	26 13/16" (682)	10.99 (1.02)	5.91 (0.55)	12 1/2" (318)	15.70 (1.46)
WA2662	5.59 (0.52)	27 7/8" (708)	28 13/16" (733)	11.70 (1.09)	6.29 (0.59)	8 1/2" (216)	16.58 (1.54)
WA2836	2.61 (0.24)	29 1/8" (759)	12 9/16" (319)	6.46 (0.60)	3.41 (0.32)	40 1/2" (1029)	10.13 (0.94)
WA28310	3.03 (0.28)	29 1/8" (759)	14 9/16" (370)	7.22 (0.67)	3.82 (0.36)	36 1/2" (928)	11.07 (1.03)
WA2842	3.44 (0.32)	29 1/8" (759)	16 9/16" (421)	7.99 (0.74)	4.24 (0.39)	32 1/2" (826)	12.00 (1.12)
WA2846	3.86 (0.36)	29 1/8" (759)	18 9/16" (472)	8.76 (0.81)	4.65 (0.43)	28 1/2" (724)	12.94 (1.20)
WA28410	4.27 (0.40)	29 1/8" (759)	20 9/16" (523)	9.53 (0.89)	5.07 (0.47)	24 1/2" (623)	13.87 (1.29)
WA2852	4.69 (0.44)	29 1/8" (759)	22 9/16" (573)	10.29 (0.96)	5.48 (0.51)	20 1/2" (521)	14.80 (1.38)
WA2856	5.10 (0.47)	29 1/8" (759)	24 9/16" (624)	11.06 (1.03)	5.90 (0.55)	16 1/2" (420)	15.74 (1.46)
WA28510	5.52 (0.51)	29 1/8" (759)	26 9/16" (675)	11.83 (1.10)	6.31 (0.59)	12 1/2" (318)	16.67 (1.55)
WA2862 ◊	5.93 (0.55)	29 1/8" (759)	28 9/16" (726)	12.60 (1.17)	6.73 (0.63)	8 1/2" (216)	17.61 (1.64)
WA210310	3.17 (0.29)	31 1/8" (810)	14 5/16" (363)	7.73 (0.72)	4.06 (0.38)	36 1/2" (928)	11.70 (1.09)
WA21042	3.61 (0.34)	31 1/8" (810)	16 5/16" (414)	8.55 (0.80)	4.50 (0.42)	32 1/2" (826)	12.69 (1.18)
WA21046	4.05 (0.38)	31 1/8" (810)	18 5/16" (465)	9.38 (0.87)	4.94 (0.46)	28 1/2" (724)	13.68 (1.27)
WA210410	4.50 (0.42)	31 1/8" (810)	20 5/16" (516)	10.20 (0.95)	5.39 (0.50)	24 1/2" (623)	14.67 (1.36)
WA21052	4.94 (0.46)	31 1/8" (810)	22 5/16" (567)	11.02 (1.02)	5.83 (0.54)	20 1/2" (521)	15.66 (1.46)
WA21056	5.38 (0.50)	31 1/8" (810)	24 5/16" (617)	11.84 (1.10)	6.27 (0.58)	16 1/2" (420)	16.65 (1.55)
WA210510 ◊	5.83 (0.54)	31 1/8" (810)	26 5/16" (668)	12.67 (1.18)	6.72 (0.62)	12 1/2" (318)	17.64 (1.64)
WA21062 ◊	6.27 (0.58)	31 1/8" (810)	28 5/16" (719)	13.49 (1.25)	7.16 (0.67)	8 1/2" (216)	18.63 (1.73)
WA30310	3.30 (0.31)	33 1/8" (861)	14 1/16" (357)	8.23 (0.77)	4.29 (0.40)	36 1/2" (928)	12.34 (1.15)
WA3042	3.78 (0.35)	33 1/8" (861)	16 1/16" (407)	9.11 (0.85)	4.76 (0.44)	32 1/2" (826)	13.38 (1.24)
WA3046	4.25 (0.39)	33 1/8" (861)	18 1/16" (458)	9.99 (0.93)	5.23 (0.49)	28 1/2" (724)	14.43 (1.34)
WA30410	4.72 (0.44)	33 1/8" (861)	20 1/16" (509)	10.87 (1.01)	5.70 (0.53)	24 1/2" (623)	15.47 (1.44)
WA3052	5.19 (0.48)	33 1/8" (861)	22 1/16" (560)	11.75 (1.09)	6.17 (0.57)	20 1/2" (521)	16.52 (1.54)
WA3056	5.66 (0.53)	33 1/8" (861)	24 1/16" (611)	12.62 (1.17)	6.65 (0.62)	16 1/2" (420)	17.56 (1.63)
WA30510 ◊	6.13 (0.57)	33 1/8" (861)	26 1/16" (661)	13.50 (1.25)	7.12 (0.66)	12 1/2" (318)	18.61 (1.73)
WA3062 ◊	6.60 (0.61)	33 1/8" (861)	28 1/16" (712)	14.38 (1.34)	7.59 (0.71)	8 1/2" (216)	19.65 (1.83)
WA34310	3.55 (0.33)	37 7/8" (962)	13 1/2" (343)	9.23 (0.86)	4.75 (0.44)	36 1/2" (928)	13.60 (1.26)
WA3442	4.08 (0.38)	37 7/8" (962)	15 1/2" (394)	10.22 (0.95)	5.28 (0.49)	32 1/2" (826)	14.76 (1.37)
WA3446	4.61 (0.43)	37 7/8" (962)	17 1/2" (445)	11.21 (1.04)	5.81 (0.54)	28 1/2" (724)	15.91 (1.48)
WA34410	5.13 (0.48)	37 7/8" (962)	19 1/2" (495)	12.20 (1.13)	6.33 (0.59)	24 1/2" (623)	17.07 (1.59)
WA3452	5.66 (0.53)	37 7/8" (962)	21 1/2" (546)	13.19 (1.23)	6.86 (0.64)	20 1/2" (521)	18.22 (1.69)
WA3456	6.19 (0.58)	37 7/8" (962)	23 1/2" (597)	14.18 (1.32)	7.38 (0.69)	16 1/2" (420)	19.38 (1.80)
WA34510 ◊	6.71 (0.62)	37 7/8" (962)	25 1/2" (648)	15.17 (1.41)	7.91 (0.74)	12 1/2" (318)	20.54 (1.91)
WA3462 ◊	7.24 (0.67)	37 7/8" (962)	27 1/2" (699)	16.16 (1.50)	8.44 (0.78)	8 1/2" (216)	21.69 (2.02)
WA3842	4.36 (0.41)	41 7/8" (1064)	15" (380)	11.32 (1.05)	5.79 (0.54)	32 1/2" (826)	16.12 (1.50)
WA3846	4.94 (0.46)	41 7/8" (1064)	17" (431)	12.42 (1.15)	6.37 (0.59)	28 1/2" (724)	17.39 (1.62)
WA38410	5.52 (0.51)	41 7/8" (1064)	19" (482)	13.52 (1.26)	6.95 (0.65)	24 1/2" (623)	18.65 (1.73)
WA3852	6.10 (0.57)	41 7/8" (1064)	21" (533)	14.62 (1.36)	7.53 (0.70)	20 1/2" (521)	19.92 (1.85)
WA3856	6.68 (0.62)	41 7/8" (1064)	23" (583)	15.72 (1.46)	8.11 (0.75)	16 1/2" (420)	21.19 (1.97)
WA38510 ◊	7.26 (0.68)	41 7/8" (1064)	25" (634)	16.82 (1.56)	8.70 (0.81)	12 1/2" (318)	22.46 (2.09)
WA3862 ◊	7.85 (0.73)	41 7/8" (1064)	27" (685)	17.93 (1.67)	9.28 (0.86)	8 1/2" (216)	23.72 (2.20)

* "Top of Subfloor to Top of Inside Sill Stop" is calculated based upon a structural header height of 6'-10 1/2" (2096).
 * Dimensions in parentheses are in millimeters or square meters.
 ◊ Meet or exceed clear opening area of 5.7 sq. ft. or 0.53 m², clear opening width of 20" (508) and clear opening height of 24" (610).

Woodwright® Unequal Leg Arch Double-Hung Window Opening and Area Specifications

Window Number	Clear Opening Area Sq. Ft./ (m ²)		Clear Opening in Full Open Position		Glass Area Sq. Ft./ (m ²)	Vent Area Sq. Ft./ (m ²)	Top of Subfloor to Top of Inside Sill Stop Inches/(mm)	Overall Window Area Sq. Ft./ (m ²)
			Width Inches/(mm)	Height Inches/(mm)				
WU1836	1.44	(0.13)	17 7/8" (454)	11 5/8" (295)	3.59 (0.33)	1.98 (0.18)	40 1/2" (1029)	6.47 (0.60)
WU18310	1.69	(0.16)	17 7/8" (454)	13 5/8" (346)	4.02 (0.37)	2.23 (0.21)	36 1/2" (928)	7.07 (0.66)
WU1842	1.94	(0.18)	17 7/8" (454)	15 5/8" (396)	4.46 (0.41)	2.48 (0.23)	32 1/2" (826)	7.67 (0.71)
WU1846	2.19	(0.20)	17 7/8" (454)	17 5/8" (447)	4.89 (0.45)	2.72 (0.25)	28 1/2" (724)	8.27 (0.77)
WU18410	2.44	(0.23)	17 7/8" (454)	19 5/8" (498)	5.32 (0.49)	2.97 (0.28)	24 1/2" (623)	8.87 (0.82)
WU1852	2.68	(0.25)	17 7/8" (454)	21 5/8" (549)	5.76 (0.53)	3.22 (0.30)	20 1/2" (521)	9.47 (0.88)
WU1856	2.93	(0.27)	17 7/8" (454)	23 5/8" (600)	6.19 (0.58)	3.47 (0.32)	16 1/2" (420)	10.07 (0.94)
WU18510	3.18	(0.30)	17 7/8" (454)	25 5/8" (650)	6.63 (0.62)	3.72 (0.35)	12 1/2" (318)	10.67 (0.99)
WU1862	3.43	(0.32)	17 7/8" (454)	27 5/8" (701)	7.06 (0.66)	3.97 (0.37)	8 1/2" (216)	11.28 (1.05)
WU20310	1.71	(0.16)	21 1/8" (556)	11 1/4" (286)	4.95 (0.46)	2.61 (0.24)	36 1/2" (928)	8.24 (0.77)
WU2042	2.02	(0.19)	21 1/8" (556)	13 1/4" (337)	5.50 (0.51)	2.91 (0.27)	32 1/2" (826)	8.96 (0.83)
WU2046	2.32	(0.22)	21 1/8" (556)	15 1/4" (388)	6.04 (0.56)	3.22 (0.30)	28 1/2" (724)	9.67 (0.90)
WU20410	2.62	(0.24)	21 1/8" (556)	17 1/4" (438)	6.59 (0.61)	3.52 (0.33)	24 1/2" (623)	10.38 (0.96)
WU2052	2.93	(0.27)	21 1/8" (556)	19 1/4" (489)	7.13 (0.66)	3.83 (0.36)	20 1/2" (521)	11.09 (1.03)
WU2056	3.23	(0.30)	21 1/8" (556)	21 1/4" (540)	7.68 (0.71)	4.13 (0.38)	16 1/2" (420)	11.80 (1.10)
WU20510	3.54	(0.33)	21 1/8" (556)	23 1/4" (591)	8.22 (0.76)	4.44 (0.41)	12 1/2" (318)	12.51 (1.16)
WU2062	3.84	(0.36)	21 1/8" (556)	25 1/4" (642)	8.77 (0.81)	4.74 (0.44)	8 1/2" (216)	13.23 (1.23)
WU2446	2.21	(0.21)	25 1/8" (658)	12 1/4" (312)	7.12 (0.66)	3.64 (0.34)	28 1/2" (724)	10.99 (1.02)
WU24410	2.57	(0.24)	25 1/8" (658)	14 1/4" (363)	7.78 (0.72)	4.00 (0.37)	24 1/2" (623)	11.81 (1.10)
WU2452	2.93	(0.27)	25 1/8" (658)	16 1/4" (413)	8.44 (0.78)	4.36 (0.41)	20 1/2" (521)	12.63 (1.17)
WU2456E	3.29	(0.31)	25 1/8" (658)	18 1/4" (464)	9.09 (0.84)	4.72 (0.44)	16 1/2" (420)	13.46 (1.25)
WU24510	3.65	(0.34)	25 1/8" (658)	20 1/4" (515)	9.75 (0.91)	5.08 (0.47)	12 1/2" (318)	14.28 (1.33)
WU2462	4.01	(0.37)	25 1/8" (658)	22 1/4" (566)	10.40 (0.97)	5.44 (0.51)	8 1/2" (216)	15.10 (1.40)
WU26410	2.42	(0.23)	27 1/8" (708)	12 1/2" (318)	8.34 (0.78)	4.21 (0.39)	24 1/2" (623)	12.49 (1.16)
WU2652	2.81	(0.26)	27 1/8" (708)	14 1/2" (368)	9.06 (0.84)	4.59 (0.43)	20 1/2" (521)	13.37 (1.24)
WU2656	3.20	(0.30)	27 1/8" (708)	16 1/2" (419)	9.77 (0.91)	4.98 (0.46)	16 1/2" (420)	14.25 (1.32)
WU26510	3.58	(0.33)	27 1/8" (708)	18 1/2" (470)	10.48 (0.97)	5.37 (0.50)	12 1/2" (318)	15.13 (1.41)
WU2662	3.97	(0.37)	27 1/8" (708)	20 1/2" (521)	11.19 (1.04)	5.76 (0.53)	8 1/2" (216)	16.01 (1.49)
WU2852	2.59	(0.24)	29 1/8" (759)	12 1/2" (317)	9.65 (0.90)	4.80 (0.45)	20 1/2" (521)	14.08 (1.31)
WU2856	3.01	(0.28)	29 1/8" (759)	14 1/2" (368)	10.42 (0.97)	5.22 (0.48)	16 1/2" (420)	15.01 (1.40)
WU28510	3.42	(0.32)	29 1/8" (759)	16 1/2" (419)	11.19 (1.04)	5.63 (0.52)	12 1/2" (318)	15.95 (1.48)
WU2862	3.84	(0.36)	29 1/8" (759)	18 1/2" (470)	11.95 (1.11)	6.05 (0.56)	8 1/2" (216)	16.88 (1.57)
WU21042	3.13	(0.29)	31 1/8" (810)	14 1/8" (359)	8.35 (0.78)	4.31 (0.40)	32 1/2" (826)	12.52 (1.16)
WU21046	3.57	(0.33)	31 1/8" (810)	16 1/8" (409)	9.17 (0.85)	4.75 (0.44)	28 1/2" (724)	13.51 (1.26)
WU210410	4.01	(0.37)	31 1/8" (810)	18 1/8" (460)	10.00 (0.93)	5.19 (0.48)	24 1/2" (623)	14.50 (1.35)
WU21052	4.46	(0.41)	31 1/8" (810)	20 1/8" (511)	10.82 (1.01)	5.64 (0.52)	20 1/2" (521)	15.49 (1.44)
WU21056	4.90	(0.46)	31 1/8" (810)	22 1/8" (562)	11.64 (1.08)	6.08 (0.56)	16 1/2" (420)	16.48 (1.53)
WU210510	5.34	(0.50)	31 1/8" (810)	24 1/8" (613)	12.46 (1.16)	6.52 (0.61)	12 1/2" (318)	17.47 (1.62)
WU21062 ◊	5.78	(0.54)	31 1/8" (810)	26 1/8" (663)	13.29 (1.23)	6.96 (0.65)	8 1/2" (216)	18.46 (1.72)
WU3042	3.13	(0.29)	33 1/8" (861)	13 5/16" (338)	8.86 (0.82)	4.51 (0.42)	32 1/2" (826)	13.15 (1.22)
WU3046	3.60	(0.34)	33 1/8" (861)	15 5/16" (389)	9.73 (0.90)	4.98 (0.46)	28 1/2" (724)	14.20 (1.32)
WU30410	4.07	(0.38)	33 1/8" (861)	17 5/16" (440)	10.61 (0.99)	5.46 (0.51)	24 1/2" (623)	15.24 (1.42)
WU3052	4.54	(0.42)	33 1/8" (861)	19 5/16" (490)	11.49 (1.07)	5.93 (0.55)	20 1/2" (521)	16.29 (1.51)
WU3056	5.02	(0.47)	33 1/8" (861)	21 5/16" (541)	12.37 (1.15)	6.40 (0.59)	16 1/2" (420)	17.33 (1.61)
WU30510	5.49	(0.51)	33 1/8" (861)	23 5/16" (592)	13.25 (1.23)	6.87 (0.64)	12 1/2" (318)	18.38 (1.71)
WU3062 ◊	5.96	(0.55)	33 1/8" (861)	25 5/16" (643)	14.13 (1.31)	7.34 (0.68)	8 1/2" (216)	19.42 (1.80)
WU34410	4.09	(0.38)	37 1/8" (962)	15 1/2" (395)	11.81 (1.10)	5.95 (0.55)	24 1/2" (623)	16.69 (1.55)
WU3452	4.61	(0.43)	37 1/8" (962)	17 1/2" (445)	12.80 (1.19)	6.47 (0.60)	20 1/2" (521)	17.85 (1.66)
WU3456	5.14	(0.48)	37 1/8" (962)	19 1/2" (496)	13.79 (1.28)	7.00 (0.65)	16 1/2" (420)	19.01 (1.77)
WU34510	5.67	(0.53)	37 1/8" (962)	21 1/2" (547)	14.78 (1.37)	7.53 (0.70)	12 1/2" (318)	20.16 (1.87)
WU3462	6.19	(0.58)	37 1/8" (962)	23 1/2" (598)	15.77 (1.47)	8.05 (0.75)	8 1/2" (216)	21.32 (1.98)
WU3852	4.52	(0.42)	41 1/8" (1064)	15 1/2" (394)	14.06 (1.31)	6.97 (0.65)	20 1/2" (521)	19.36 (1.80)
WU3856	5.10	(0.47)	41 1/8" (1064)	17 1/2" (445)	15.16 (1.41)	7.55 (0.70)	16 1/2" (420)	20.63 (1.92)
WU38510	5.68	(0.53)	41 1/8" (1064)	19 1/2" (496)	16.27 (1.51)	8.13 (0.76)	12 1/2" (318)	21.90 (2.03)
WU3862	6.26	(0.58)	41 1/8" (1064)	21 1/2" (547)	17.37 (1.61)	8.71 (0.81)	8 1/2" (216)	23.16 (2.15)

* "Top of Subfloor to Top of Inside Sill Stop" is calculated based upon a structural header height of 6'-10 1/2" (2096).
 • Dimensions in parentheses are in millimeters or square meters.
 ◊ Meet or exceed clear opening area of 5.7 sq. ft. or 0.53 m², clear opening width of 20" (508) and clear opening height of 24" (610).

400 Series Woodwright® Double-Hung Full-Frame Windows

WOODWRIGHT® DOUBLE-HUNG FULL-FRAME WINDOWS

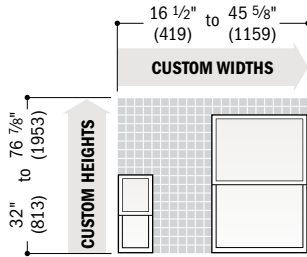
Custom Sizes



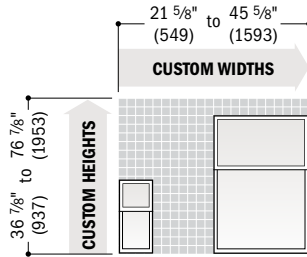
Available in 1/8" (3) increments between minimum and maximum widths and heights. Windows can also be custom sized to match standard sizes ending in a sixteenth of an inch. Some restrictions apply; contact your Andersen supplier. Measurement guide for custom-size windows can be found at andersenwindows.com/measure.

Woodwright® Double-Hung Windows

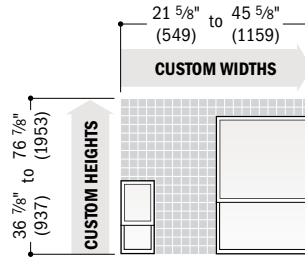
Equal



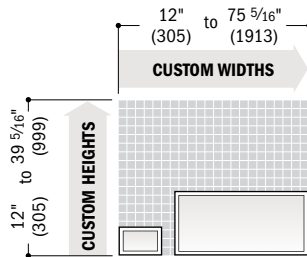
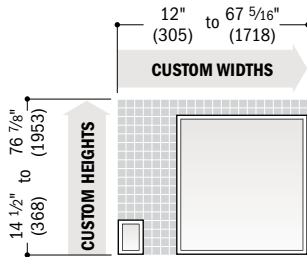
2:3 Cottage



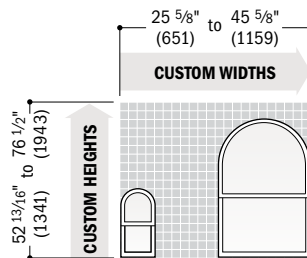
3:2 Reverse Cottage



Woodwright® Picture and Transom Windows

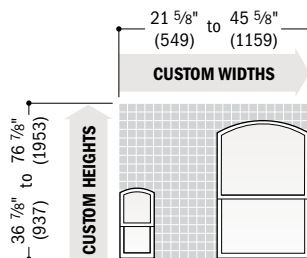


Woodwright® Springline™ Single-Hung Windows



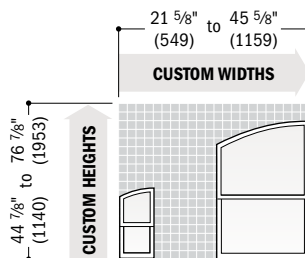
Side-by-side joining of two Springline windows is not recommended.

Woodwright® Arch Double-Hung Windows



Side-by-side joining of two arch windows is not recommended.

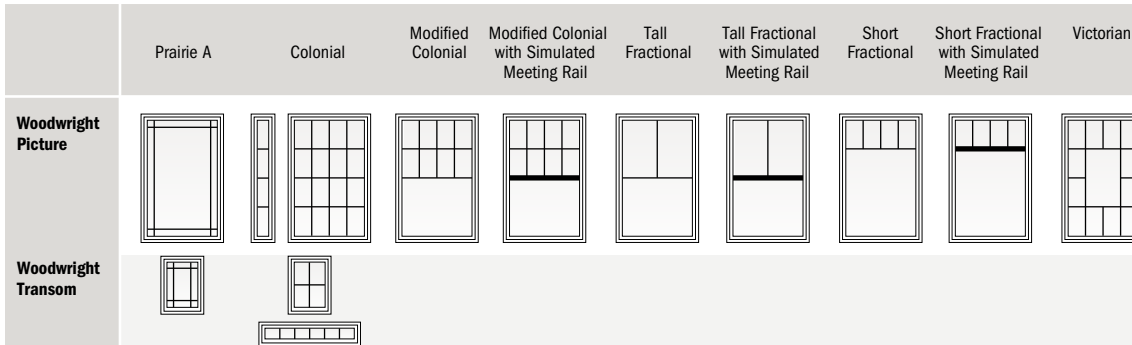
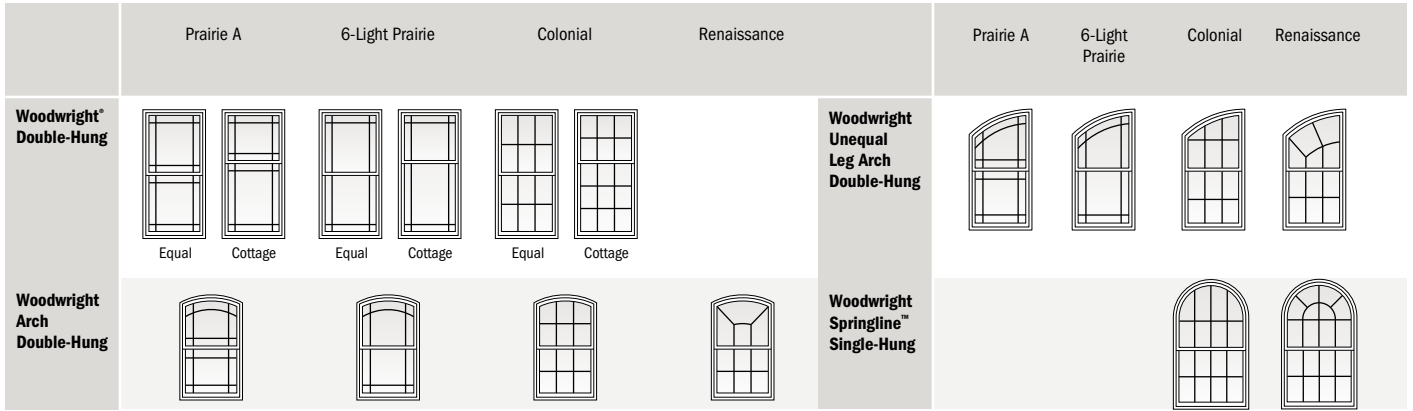
Woodwright® Unequal Leg Arch Double-Hung Windows



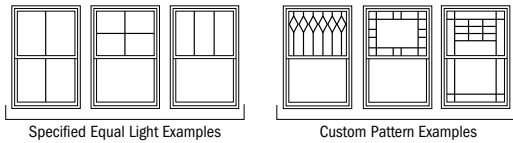
Short side joining of unequal leg arch windows is not recommended.

* Dimensions in parentheses are in millimeters.

Grille Patterns



Patterns for double- and single-hung windows are also available in Upper Sash Only (USO) configurations. For picture window patterns that require alignment with double- or single-hung window patterns, identify the sash style (equal, cottage or reverse cottage) when ordering. **Number of lights and overall pattern varies with window size. Patterns not available in all configurations.**

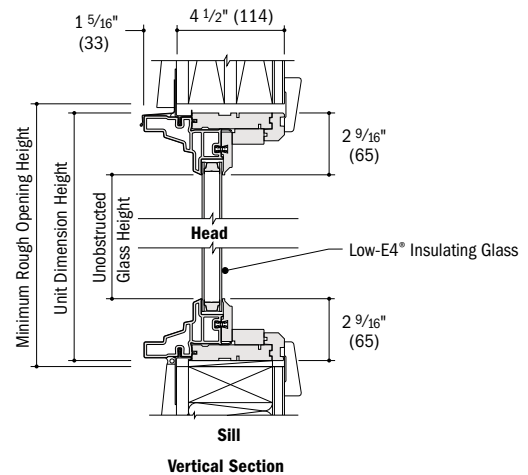
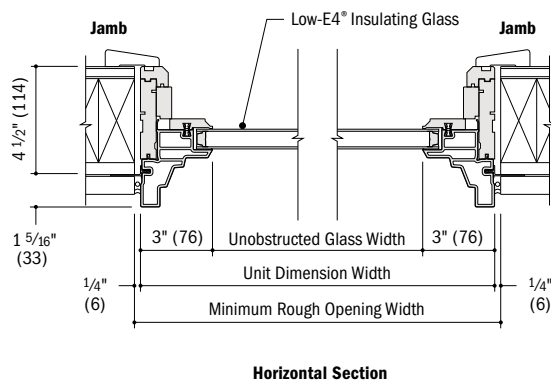


Specified equal light and custom patterns are also available. For more grille options, see page 14 or visit andersenwindows.com/grilles.

400 Series Woodwright® Double-Hung Full-Frame Windows

Woodwright® Transom Window Details

Scale 1 1/2" (38) = 1'-0" (305) – 1:8

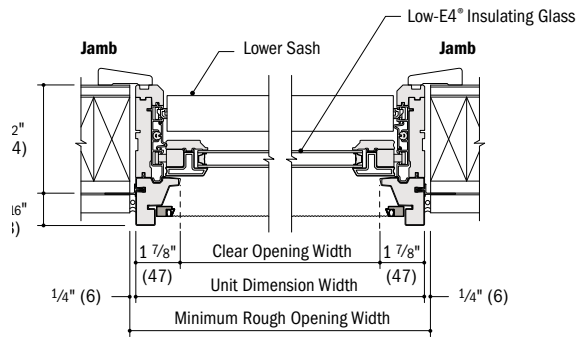


• Minimum rough openings may need to be increased to allow for use of building wraps, flashing, sill panning, brackets, fasteners or other items. See installation information on pages 210-211.
 • Details are for illustration only and are not intended to represent product installation methods or materials. Refer to product installation guides at andersenwindows.com.
 • Dimensions in parentheses are in millimeters.

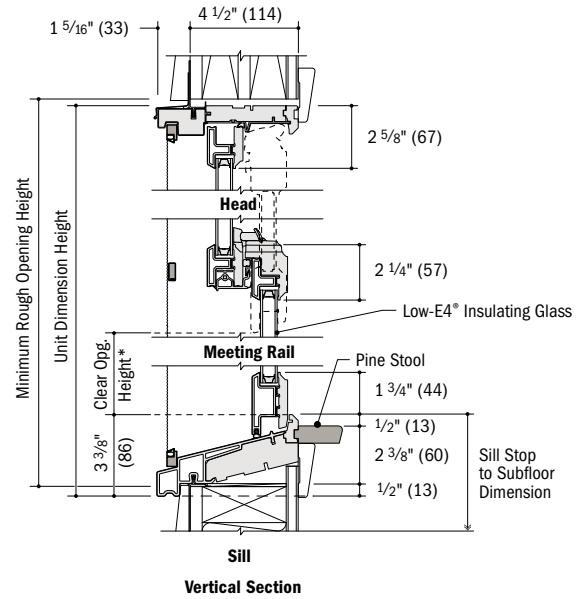
WOODWRIGHT® DOUBLE-HUNG FULL-FRAME WINDOWS

Woodwright® Double-Hung Window Details

Scale 1 1/2" (38) = 1'-0" (305) – 1:8



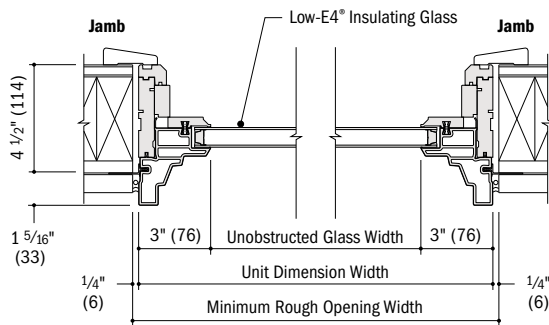
Horizontal Section



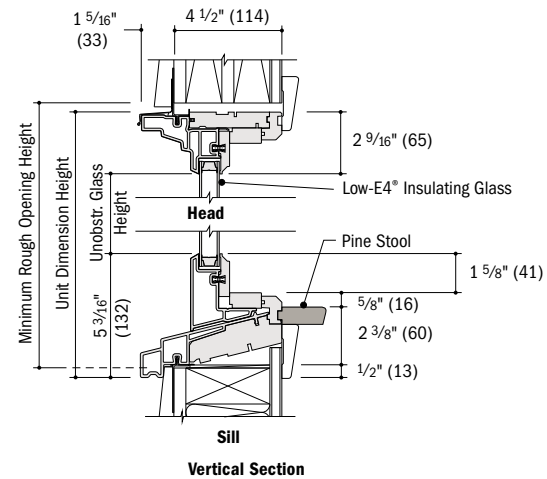
Vertical Section

Woodwright® Picture Window Details

Scale 1 1/2" (38) = 1'-0" (305) – 1:8



Horizontal Section



Vertical Section

• Light-colored areas are parts included with window. Dark-colored areas are additional Andersen® parts required to complete window assembly as shown.

• **Minimum rough openings may need to be increased to allow for use of building wraps, flashing, sill panning, brackets, fasteners or other items. See installation information on pages 210-211.**

• Details are for illustration only and are not intended to represent product installation methods or materials. Refer to product installation guides at andersenwindows.com.

• Dimensions in parentheses are in millimeters.

• Clear opening height dimension is less on arch, unequal leg arch and Springline™ hung windows.

Horizontal (stack) Joining Detail

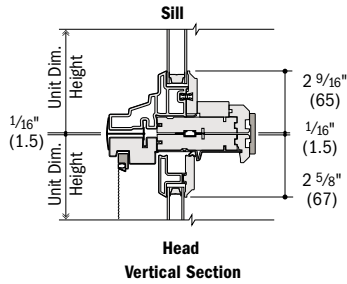
Scale 1 1/2" (38) = 1'-0" (305) – 1:8

Overall Window Dimension Height

Sum of individual window heights plus 1/16" (1.5) for each join.

Overall Rough Opening Height

Overall window dimension height.*



Woodwright® Transom (WTR) over Woodwright Double-Hung

Vertical (ribbon) Joining Detail

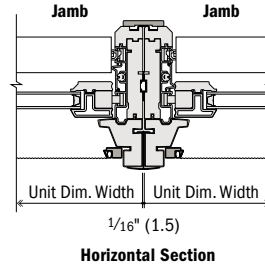
Scale 1 1/2" (38) = 1'-0" (305) – 1:8

Overall Window Dimension Width

Sum of individual window widths plus 1/16" (1.5) for each join.

Overall Rough Opening Width

Overall window dimension width plus 1/2" (13).



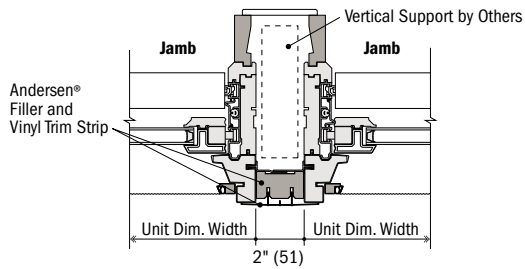
Woodwright® Double-Hung to Woodwright Double-Hung

For more joining information, see the combination designs section starting on page 181.

Separate Rough Openings Detail

Scale 1 1/2" (38) = 1'-0" (305) – 1:8

To meet structural requirements or to achieve a wider joined appearance, windows may be installed into separate rough openings having vertical support (by others) in combination with Andersen® exterior filler and exterior vinyl trim.



Woodwright® Double-Hung and Woodwright Double-Hung

400 Series Woodwright® Double-Hung Full-Frame Windows

- * Light-colored areas are parts included with window. Dark-colored areas are additional Andersen® parts required to complete window assembly as shown.
- **Minimum rough openings may need to be increased to allow for use of building wraps, flashing, sill panning, brackets, fasteners or other items. See installation information on pages 210-211.**
- Details are for illustration only and are not intended to represent product installation methods or materials. Refer to product installation guides at andersenwindows.com.
- Consult with an architect or structural engineer regarding minimum requirements for structural support members between adjacent rough openings.
- Dimensions in parentheses are in millimeters.
- *For stacks where bottom unit in combination is a double-hung or picture window with a sloped sill. If bottom window has a flat sill, add 1/2" (13) to the overall window dimension height.

NOTES

