



Contract - Detailed

Phone: Fax:

Sales Rep Name: Smith, Troy
 Sales Rep Phone: 248-464-3184
 Sales Rep Fax:
 Sales Rep E-Mail: SmithTJ1@pella.com

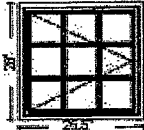
Customer Information	Project/Delivery Address	Order Information
McCarter Construction 475 Washington St SOUTH LYON, MI 48178-1321 Primary Phone: (248) 446-1750 Mobile Phone: Fax Number: (248) 4461830 E-Mail: Contact Name: Great Plains #: 1000375471 Customer Number: 1002537941 Customer Account: 1000375471	TANNER/BOWMAN 475 Washington St Lot # SOUTH LYON, MI 48178-1321 County: Owner Name: Owner Phone:	Quote Name: JW LS WHITE/UNFIN Order Number: 189 Quote Number: 15142299 Order Type: Non-Installed Sales Wall Depth: Payment Terms: Net 30 Days Tax Code: MISALESTAX Cust Delivery Date: None Quoted Date: 2/16/2022 Contracted Date: Booked Date: Customer PO #:

Line #	Location	Attributes	Item Price	Qty	Ext'd Price
--------	----------	------------	------------	-----	-------------

10 Front Bathroom

Lifestyle, Casement Right, 26.5 X 28, Without HGP, White

Item Price Qty Ext'd Price
 1



Viewed From Exterior

PK #
2109

1: 26.528 Right Casement
 Frame Size: 26 1/2 X 28
 General Information: No Package, Without Hinged Glass Panel, Clad, Pine, 5", 3 11/16"
 Exterior Color / Finish: Standard Enduraclad, White
 Interior Color / Finish: Unfinished Interior
 Glass: Insulated Obscure Low-E Obscure Advanced Low-E Insulating Glass Argon Non High Altitude
 Hardware Options: Wash Hinge Hardware, Fold-Away Crank, Brown, No Limited Opening Hardware, No Integrated Sensor
 Screen: Full Screen, Brown, InView™
 Performance Information: U-Factor 0.29, SHGC 0.25, VLT 0.46, CPD PEL-N-14-00687-00001, Performance Class LC, PG 50, Calculated Positive DP Rating 50, Calculated Negative DP Rating 50, Year Rated 08|11, Clear Opening Width 16.75, Clear Opening Height 23.875, Clear Opening Area 2.777127, Egress Does not meet typical United States egress, but may comply with local code requirements
 Grille: SDL w/Spacer, No Custom Grille, 7/8", Traditional (3W3H)
 Wrapping Information: Foldout Fins, Factory Applied, No Exterior Trim, 3 11/16", 5", Factory Applied, Pella Recommended Clearance, Perimeter Length = 109".

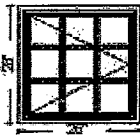
Obscure Glass Style: Pattern62(Standard)

ON 4/16/22

Rough Opening: 27 - 1/4" X 28 - 3/4"

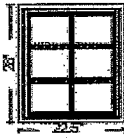
For more information regarding the finishing, maintenance, service and warranty of all Pella® products, visit the Pella® website at www.pella.com

Line #	Location	Attributes	Item Price	Qty	Ext'd Price
--------	----------	------------	------------	-----	-------------

15	Green Room	Lifestyle, Casement Right, 26 X 28, Without HGP, White		1	
	 <p>Viewed From Exterior</p>	<p>PK # 2110</p> <p>1: 2628 Right Casement Frame Size: 26 X 28 General Information: No Package, Without Hinged Glass Panel, Clad, Pine, 5", 3 11/16" Exterior Color / Finish: Standard Enduraclad, White Interior Color / Finish: Unfinished Interior Glass: Insulated Low-E Advanced Low-E Insulating Glass Argon Non High Altitude Hardware Options: Wash Hinge Hardware, Fold-Away Crank, Brown, No Limited Opening Hardware, No Integrated Sensor Screen: Full Screen, Brown, InView™ Performance Information: U-Factor 0.29, SHGC 0.25, VLT 0.47, CPD PEL-N-14-00679-00001, Performance Class LC, PG 50, Calculated Positive DP Rating 50, Calculated Negative DP Rating 50, Year Rated 08 11, Clear Opening Width 16.25, Clear Opening Height 23.875, Clear Opening Area 2.694227, Egress Does not meet typical United States egress, but may comply with local code requirements Grille: SDL w/Spacer, No Custom Grille, 7/8", Traditional (3W3H) Wrapping Information: Foldout Fins, Factory Applied, No Exterior Trim, 3 11/16", 5", Factory Applied, Pella Recommended Clearance, Perimeter Length = 108".</p>			

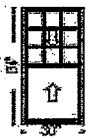
Rough Opening: 26 - 3/4" X 28 - 3/4"

Line #	Location	Attributes	Item Price	Qty	Ext'd Price
--------	----------	------------	------------	-----	-------------


20	Green Room Front	Lifestyle, Sash Set, Fixed, 22.5 X 28, Without HGP, White		1	
	 <p>Viewed From Exterior</p>	<p>PK # 2110</p> <p>1: 22.528 Fixed Sash Set Frame Size: 22 1/2 X 28 General Information: No Package, Without Hinged Glass Panel, Clad, Pine, 5", 3 11/16" Exterior Color / Finish: Standard Enduraclad, White Interior Color / Finish: Unfinished Interior Glass: Insulated Low-E Advanced Low-E Insulating Glass Argon Non High Altitude Performance Information: U-Factor 0.28, SHGC 0.28, VLT 0.52, CPD PEL-N-229-00863-00001, Performance Class LC, PG 50, Calculated Positive DP Rating 50, Calculated Negative DP Rating 50, Year Rated 08 11 Grille: SDL w/Spacer, No Custom Grille, 7/8", Traditional (2W3H) Wrapping Information: Foldout Fins, Factory Applied, No Exterior Trim, 3 11/16", 5", Factory Applied, Pella Recommended Clearance, Perimeter Length = 101".</p>			

Rough Opening: 23 - 1/4" X 28 - 3/4"

For more information regarding the finishing, maintenance, service and warranty of all Pella® products, visit the Pella® website at www.pella.com


Line #	Location	Attributes	Item Price	Qty	Ext'd Price
25	Green Room Front	Lifestyle, Double Hung, 30 X 64, Without HGP, White		2	
	 <p>PK # 2110</p> <p>Viewed From Exterior</p>	<p>1: 3064 Double Hung, Equal Frame Size: 30 X 64 General Information: No Package, Without Hinged Glass Panel, Clad, Pine, 5", 3 11/16", Jambliner Color: Gray Exterior Color / Finish: Standard Enduraclad, White Interior Color / Finish: Unfinished Interior Glass: Insulated Low-E Advanced Low-E Insulating Glass Argon Non High Altitude Hardware Options: Cam-Action Lock, Brown, No Limited Opening Hardware, Order Sash Lift, No Integrated Sensor Screen: Full Screen, White, InView™ Performance Information: U-Factor 0.30, SHGC 0.27, VLT 0.50, CPD PEL-N-35-00426-00003, Performance Class LC, PG 35, Calculated Positive DP Rating 35, Calculated Negative DP Rating 35, Year Rated 08/11, Clear Opening Width 26.812, Clear Opening Height 28.75, Clear Opening Area 5.35309, Egress Meets Typical for ground floor 5.0 sqft (E1) (United States Only) Grille: SDL w/Spacer, No Custom Grille, 7/8", Traditional (3W3H / 0W0H) Wrapping Information: Foldout Fins, Factory Applied, No Exterior Trim, 3 11/16", 5", Factory Applied, Pella Recommended Clearance, Perimeter Length = 188".</p>			

Rough Opening: 30 - 3/4" X 64 - 3/4"

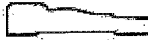
Line #	Location	Attributes	Item Price	Qty	Ext'd Price
30	Purple Room Front	Lifestyle, Double Hung, 30 X 64, Without HGP, White		2	
	 <p>PK # 2110</p> <p>Viewed From Exterior</p>	<p>1: 3064 Double Hung, Equal Frame Size: 30 X 64 General Information: No Package, Without Hinged Glass Panel, Clad, Pine, 5", 3 11/16", Jambliner Color: Gray Exterior Color / Finish: Standard Enduraclad, White Interior Color / Finish: Unfinished Interior Glass: Insulated Low-E Advanced Low-E Insulating Glass Argon Non High Altitude Hardware Options: Cam-Action Lock, Brown, No Limited Opening Hardware, Order Sash Lift, No Integrated Sensor Screen: Full Screen, White, InView™ Performance Information: U-Factor 0.30, SHGC 0.27, VLT 0.50, CPD PEL-N-35-00426-00003, Performance Class LC, PG 35, Calculated Positive DP Rating 35, Calculated Negative DP Rating 35, Year Rated 08/11, Clear Opening Width 26.812, Clear Opening Height 28.75, Clear Opening Area 5.35309, Egress Meets Typical for ground floor 5.0 sqft (E1) (United States Only) Grille: SDL w/Spacer, No Custom Grille, 7/8", Traditional (3W3H / 0W0H) Wrapping Information: Foldout Fins, Factory Applied, No Exterior Trim, 3 11/16", 5", Factory Applied, Pella Recommended Clearance, Perimeter Length = 188".</p>			


Rough Opening: 30 - 3/4" X 64 - 3/4"

For more information regarding the finishing, maintenance, service and warranty of all Pella® products, visit the Pella® website at www.pella.com

Line #	Location	Attributes	Item Price	Qty	Ext'd Price
35	Purple Room Slide	Lifestyle, Double Hung, 30 X 64, Without HGP, White		1	
	 <p>PK # 2110</p> <p>Viewed From Exterior</p>	<p>1: 3064 Double Hung, Equal Frame Size: 30 X 64 General Information: No Package, Without Hinged Glass Panel, Clad, Pine, 5", 3 11/16", Jambliner Color: Gray Exterior Color / Finish: Standard Enduraclad, White Interior Color / Finish: Unfinished Interior Glass: Insulated Low-E Advanced Low-E Insulating Glass Argon Non High Altitude Hardware Options: Cam-Action Lock, Brown, No Limited Opening Hardware, Order Sash Lift, No Integrated Sensor Screen: Full Screen, White, InView™ Performance Information: U-Factor 0.30, SHGC 0.27, VLT 0.50, CPD PEL-N-35-00426-00003, Performance Class LC, PG 35, Calculated Positive DP Rating 35, Calculated Negative DP Rating 35, Year Rated 08/11, Clear Opening Width 26.812, Clear Opening Height 28.75, Clear Opening Area 5.35309, Egress Meets Typical for ground floor 5.0 sqft (E1) (United States Only) Grille: SDL w/Spacer, No Custom Grille, 7/8", Traditional (3W3H / 0W0H) Wrapping Information: Foldout Fins, Factory Applied, No Exterior Trim, 3 11/16", 5", Factory Applied, Pella Recommended Clearance, Perimeter Length = 188".</p>			

Rough Opening: 30 - 3/4" X 64 - 3/4"

Line #	Location	Attributes	Item Price	Qty	Ext'd Price
45	None Assigned	Wood Products 2 1/2 Colonial 2, Length: 96, Unfinished Wood. Wood Type: Pine		12	
	 <p>PK # 2108</p> <p>Viewed From Exterior</p>	<p>1: Accessory Frame Size: 1 X 1 General Information: Pine, 2 1/2 Colonial 2 Interior Color / Finish: Unfinished Wood Interior Wrapping Information: Perimeter Length = 0".</p>			

Line #	Location	Attributes	Item Price	Qty	Ext'd Price
50	None Assigned	3 1/2" w/kerf Solid Jamb Extension, Length: 96, Unfinished Wood. Wood Type: Pine		12	
	 <p>PK # 2108</p> <p>Viewed From Exterior</p>	<p>1: Accessory Frame Size: 1 X 1 General Information: Pine, 3 1/2" w/kerf Solid Jamb Extension Interior Color / Finish: Unfinished Wood Interior Wrapping Information: Perimeter Length = 0".</p>			

For more information regarding the finishing, maintenance, service and warranty of all Pella® products, visit the Pella® website at www.pella.com



Jacinda Bowman & Daniel Tanner
1427 Atkinson St • Detroit, MI 48206

Mon, Feb 14 09:35 AM
by Sean Mattson



Jacinda Bowman & Daniel Tanner
1427 Atkinson St • Detroit, MI 48206

Mon, Feb 14 09:53 AM
by Sean Mattson



Jacinda Bowman & Daniel Tanner
1427 Atkinson St • Detroit, MI 48206

Mon, Apr 11 11:44 AM
by Bruce Ellis



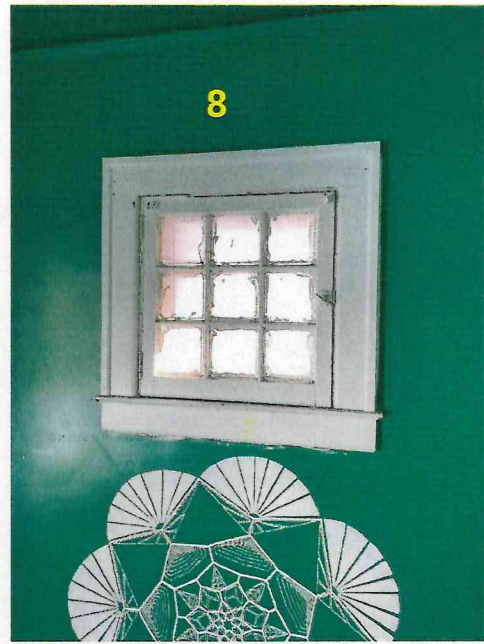
Jacinda Bowman & Daniel Tanner
1427 Atkinson St • Detroit, MI 48206

Mon, Apr 11 11:45 AM
by Bruce Ellis



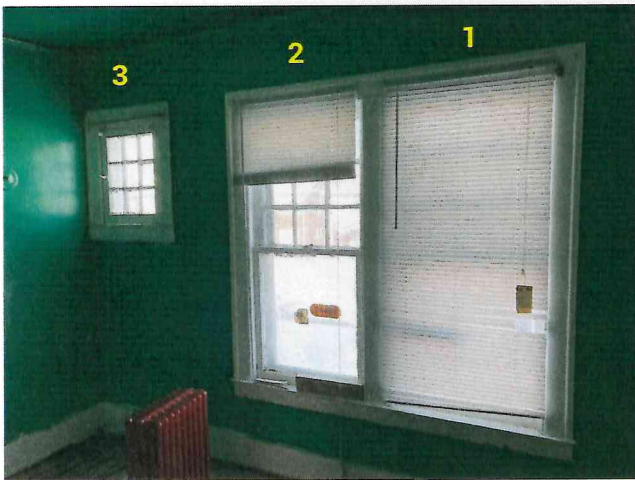
Jacinda Bowman & Daniel Tanner
1427 Atkinson St • Detroit, MI 48206

Mon, Feb 14 09:31 AM
by Sean Mattson



Jacinda Bowman & Daniel Tanner
1427 Atkinson St • Detroit, MI 48206

Mon, Feb 14 09:32 AM
by Sean Mattson



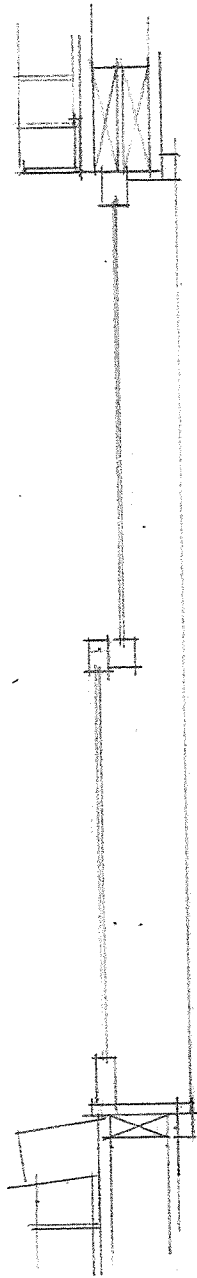
Jacinda Bowman & Daniel Tanner
1427 Atkinson St • Detroit, MI 48206

Mon, Feb 14 09:32 AM
by Sean Mattson

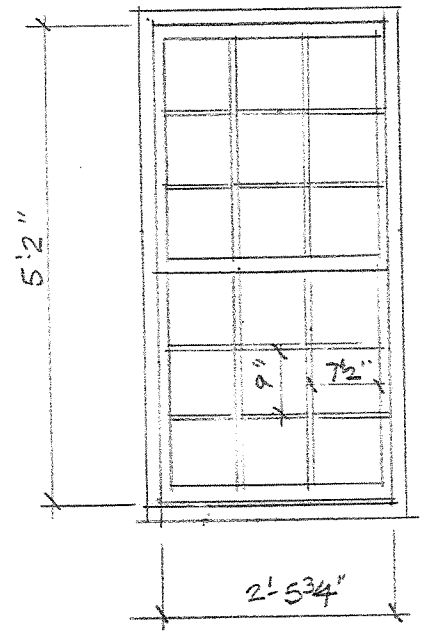


Jacinda Bowman & Daniel Tanner
1427 Atkinson St • Detroit, MI 48206

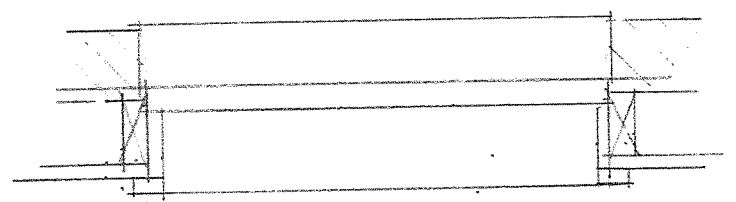
Mon, Feb 14 09:34 AM
by Sean Mattson



JAMB 1"=1'-0"

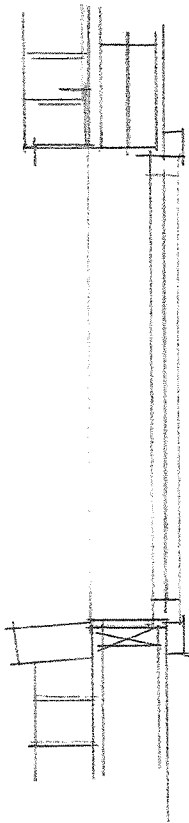


ELEVATION 1/2"=1'-0"

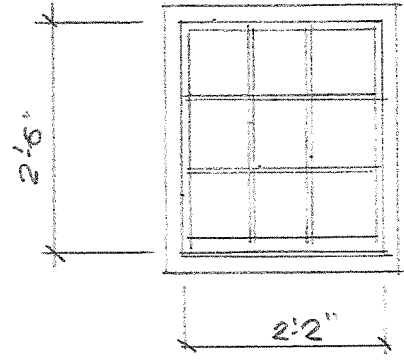


SILL 1"=1'-0"

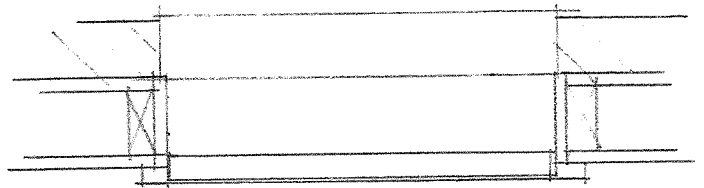
EXISTING
SINGLE HUNG



JAMB 1"=1'-0"



ELEVATION 1/2"=1'-0"



SILL 1"=1'-0"

EXISTING
SIDE HINGE



Frame

- Select softwood, immersion treated with Pella's EnduraGuard® wood protection formula in accordance with WDMA I.S.-4. The EnduraGuard formula includes three active ingredients for protection against the effects of moisture, decay, stains from mold and mildew. Plus, an additional ingredient adds protection against termite damage.
- Interior exposed surfaces are clear pine.
- Exterior surfaces are clad with aluminum.
- Components are assembled with screws, staples and concealed corner locks.
- Overall frame depth is 5" (127mm) for a wall depth of 3-11/16" (94mm).
- Optional factory-applied jamb extensions available between 3-13/16" (97) and 9-3/16" (233).
- Optional factory-installed fold-out installation fins with flexible fin corners.
- Optional factory-applied EnduraClad® exterior trim.

Sash

- Select softwood, immersion treated with Pella's EnduraGuard® wood protection formula in accordance with WDMA I.S.-4. The EnduraGuard formula includes three active ingredients for protection against the effects of moisture, decay, stains from mold and mildew. Plus, an additional ingredient adds protection against termite damage.
- Interior exposed surfaces are clear pine.
- Exterior surfaces are clad with aluminum, lap-jointed and sealed.
- Corners mortised and tenoned, glued and secured with metal fasteners.
- Sash thickness is 1-3/4" (45mm) dual-pane [2-3/16" (55mm) triple-pane, (2-1/4" (57mm) including hinged glass panel)].

Weatherstripping

- Dual weatherstripping.
 - Flexible santoprene material compressed between frame and sash for positive seal on all four sides.
 - Secondary thermoplastic vulcanizate (TPV) weatherstrip between edge of sash and frame [Dual-Pane: leaf-type on the vertical sides and bottom side, and Santoprene® bulb-type weatherstrip on the top side] [Triple-Pane: leaf-type on all four sides].

Glazing System 1

- Quality float glass complying with ASTM C 1036.
- High altitude glazing available.
- Silicone-glazed 11/16" [obscure] dual-seal insulating glass [[annealed] [tempered]] [[Advanced Low-E] [SunDefense™ Low-E] [AdvancedComfort Low-E] [NaturalSun Low-E] with argon].
- or –
- Triple-Pane Glazing System:
 - Exterior silicone-glazed 11/16" [obscure] dual-seal insulating glass, [[annealed] [tempered]] [[Advanced Low-E] [SunDefense™ Low-E] [AdvancedComfort Low-E] [NaturalSun Low-E] with argon].
 - Interior hinged glass panel set in a [veneered fiberglass composite] [aluminum (advanced comfort)] frame finished to match interior (aluminum frames are veneered for stain finishes), fitted to sash with continuous gasket seal, clear [annealed] [tempered] glass.
 - Airspace between insulating glass and hinge glass panel is 1-1/32".

Exterior

- Exterior aluminum surfaces are finished with EnduraClad® protective finish, in a multi-step, baked-on finish.
- Finish color [Standard [Black] [White] [Brown] [Fossil]] [Feature [Iron Ore] Wolf gray] [Classic White] [Almond] [Portobello] [Putty] [Brick Red] [Hartford Green]].

Interior

- [Unfinished, ready for site finishing] [factory primed with one coat acrylic latex] [factory prefinished [White] [Linen White] [Bright White] [stain1]].

Hardware

- Roto operator assembly
 - Steel worm gear sash operator with hardened gears.
 - Operator base to be zinc die cast with painted finish.
 - Operator linkage, hinge slide, and hinge arms are stainless steel.
 - Exposed fasteners are stainless steel.
 - Hardware will exceed 1,000 hours salt spray exposure per ASTM B 117.
- Innovative Locking System – A single handle locking system which operates positive-acting arms that reach out and pull the sash into a locked position: one operating lock installed on units with lock-side frame dimension [Dual-pane ≤ 29"] [Triple-pane ≤ 41"] , two unison operating locks are installed on units with lock-side frame dimension [Dual-pane > 29"] [Triple-pane > 41"].
- Standard Integrated fold-away crank and lock handle finish is [baked enamel] [Champagne] [White] [Brown] [Matte Black]] [Satin Brass] [Satin Nickel].

Optional Products

Grilles

- Simulated-Divided-Light [with optional spacer] (Dual-pane glazing)
 - 7/8" Grilles permanently bonded to the interior and exterior of glass.
 - Patterns are [Traditional] [Prairie] [Cross] [Top Row] [Custom - Equally Divided].
 - Interior surfaces are [unfinished, ready for site finishing] [factory primed] [pine: factory prefinished [White] [Linen White] [Bright White] [stain1]].
 - Exterior color to match the exterior cladding color.
- Simulated-Divided-Light with Grilles-Between-the-Glass (Triple-pane glazing)
 - 3/4" Grilles permanently bonded to the exterior of glass.
 - Patterns are [Traditional] [Prairie] [Cross] [Top Row] [Custom - Equally Divided].
 - Exterior color to match the exterior cladding color.
 - Insulating glass contains 3/4" contoured aluminum grilles permanently installed between two panes of glass.
 - Interior color is [White] [Ivory] [Tan3] [Brickstone3] [Black] [Putty3] [Brown] [Harvest] [Cordovan].
- or –
- Grilles-Between-the-Glass2
 - Insulating glass contains 3/4" contoured aluminum grilles permanently installed between two panes of glass.
 - Patterns are [Traditional] [9-Lite Prairie] [Top Row] [Cross] [Custom - Equally Divided].
 - Interior color is [White] [Ivory] [Tan3] [Brickstone3] [Black] [Putty3] [Fossil] [Brown] [Harvest] [Cordovan].
 - Exterior color [matched to the exterior cladding color] [Black] [White]4.

Insect Screen

- Flat InView™ Screens
 - Vinyl-coated 18/18 mesh fiberglass screen cloth complying with the performance requirements of SMA 1201, set in aluminum frame fitted to inside of window, supplied complete with all necessary hardware.
 - Screen frame finish is baked enamel, [Champagne] [White] [Brown] [Black].
- or –
- Rolscreen® Soft-close Retractable Screen
 - InView™ Screen cloth, self-storing, rolling, black vinyl-coated 18/18 mesh fiberglass screen cloth complying with ASTM D 3656 and the performance requirements of SMA 1201 mounted behind overhead cover.
 - Cover finish is [factory prefinished paint1] [pine veneer wrapped over extruded aluminum with factory prefinished stain 1].
 - Guides are aluminum extrusion with [pine veneer wrapped over extruded aluminum with factory prefinished stain 1] [factory prefinished paint 1]

Integrated Between-the-Glass Window Fashions (Triple-Pane glazing only) 1

- Slimshade® Blinds
 - 15 mm aluminum slat, bottom-up blinds with polyester cord ladder
 - Installed in sash between double glazing and interior hinged glass panel.
 - Operated with cordless operator or motorized with Insynctive® technology.
- or –
- Cellular Fabric Shades
 - 11/16" width, bottom-up shades with hidden polyester cord, spun bond Polyethylene Terephthalate (PET) cellular fabric.
 - Installed in sash between double glazing and interior hinged glass panel.
 - Operated with cordless operator or motorized with Insynctive® technology.

Hardware

- Optional factory applied limited opening hardware available for vent units in stainless steel; nominal 3" opening.
- Optional window opening control device available for field installation. Device allows window to open less than 4" with normal operation, with a release mechanism that allows the sash to open completely. Complies with ASTM F2090-17.

Sensors

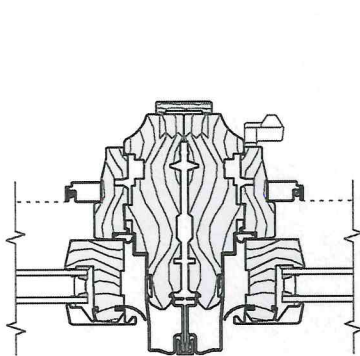
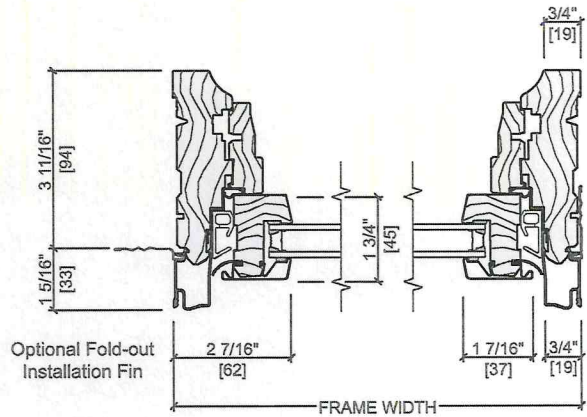
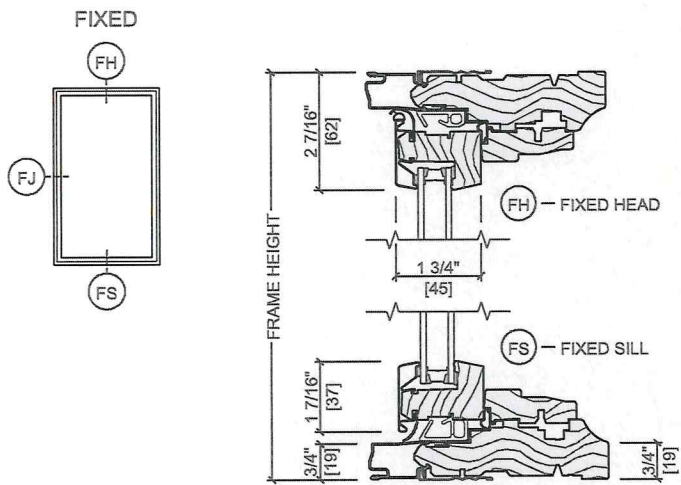
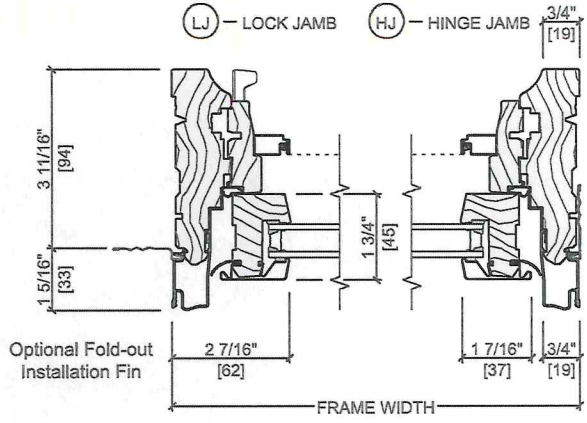
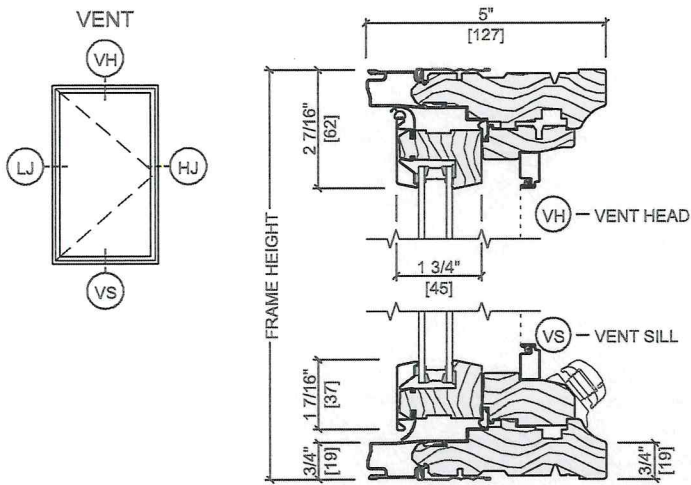
- Optional factory installed integrated security sensors available in vent units.

(1) Contact your local Pella sales representative for current designs and color options.
 (2) Available on units glazed with Low-E insulated glass with argon, and obscure insulated glass.
 (3) Tan, brickstone and putty Interior GBG colors are available only with matching interior and exterior colors.
 (4) Appearance of exterior grille color will vary depending on Low-E coating on glass.

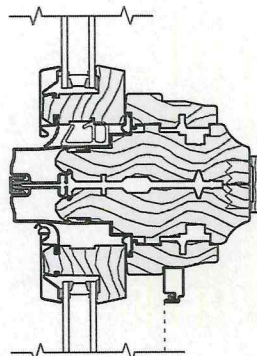


Lifestyle Series Casement

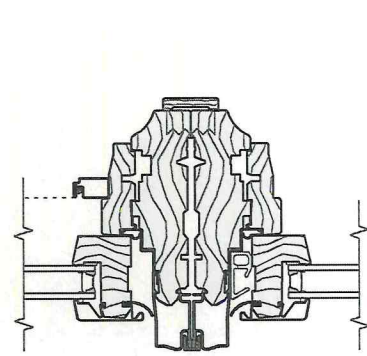
Unit Sections - Dual Pane



VERTICAL JOINING MULLION
VENT / VENT



HORIZONTAL JOINING MULLION
FIXED / VENT



VERTICAL JOINING MULLION
VENT / FIXED

Scale 3" = 1' 0"

All dimensions are approximate.

See supporting document Combination Recommendations for mullion limitations and reinforcing requirements.



Detailed Product Description

Frame

- Select softwood, immersion treated with Pella's EnduraGuard® wood protection formula in accordance with WDMA I.S.-4. The EnduraGuard formula includes three active ingredients for protection against the effects of moisture, decay, stains from mold and mildew. Plus, an additional ingredient adds protection against termite damage.
- Interior exposed surfaces are clear pine.
- Exterior surfaces are clad with aluminum.
- Components are assembled with screws, staples and concealed corner locks.
- Overall frame depth is 5" (127 mm) for a wall depth of 3-11/16" (94mm).
- Jamb liner shall be high-impact polyvinyl chloride backed by continuous hard-tempered aluminum springs.
- Optional factory applied jamb extensions are available.
- Optional factory installed fold-out installation fins with flexible fin corners.
- Optional factory-applied EnduraClad® exterior trim.

Sash

- Select softwood, immersion treated with Pella's EnduraGuard® wood protection formula in accordance with WDMA I.S.-4. The EnduraGuard formula includes three active ingredients for protection against the effects of moisture, decay, stains from mold and mildew. Plus, an additional ingredient adds protection against termite damage.
- Interior exposed surfaces are clear pine.
- Exterior surfaces are clad with aluminum, lap-jointed and sealed.
- Corners mortised and tenoned, glued and secured with metal fasteners.
- Sash thickness is 1-5/8" (41 mm).
- Sashes tilt for easy cleaning.

Weatherstripping

- Foam with 3 mm skin at head and bottom rail. Thermal-plastic elastomer bulb with slip-coating set into upper sash for tight contact at check rail.
- Secondary polyvinyl chloride leaf-type weatherstrip on bottom sash at sill.
- Jamb liner to seal against sides of sash.

Glazing System

- Quality float glass complying with ASTM C 1036.
- High altitude glazing available.
- Silicone groove-glazed 1 1/16" [obscure] dual-seal insulating glass [[annealed] [tempered]] [[Advanced Low-E] [SunDefense™ Low-E] [AdvancedComfort] [NaturalSun Low-E] with argon]].

Exterior

- Exterior aluminum surfaces are finished with EnduraClad® protective finish, in a multi-step, baked-on finish.
- Color is [White] [Tan] [Putty] [Brown] [Poplar White] [Portobello] [Hartford Green] [Morning Sky Gray] [Brick Red] [Black].

Interior

- [Unfinished, ready for site finishing] [factory primed with one coat acrylic latex] [factory prefinished [White] [Linen] [Bright White] [stain₁]].

Hardware

- Galvanized block-and-tackle balances are connected to sash with a polyester cord and concealed within the frame.
- Factory installed self-aligning surface-mounted sash lock. Two sash locks on units with frame width 33-1/4" and greater.
- Optional Sash lift furnished for field installation. Two lifts on units with frame width 33-1/4" and greater.
- Finish is [baked enamel [Champagne] [White] [Brown] [Matte Black]] [Satin Brass] [Satin Nickel].
- Champagne locks are standard on unfinished units; White locks are standard on factory prefinished white units.

Optional Products

Grilles

- Simulated-Divided-Light [with optional spacer]
 - 7/8" Grilles permanently bonded to the interior and exterior of glass.
 - Patterns are [Traditional] [Prairie] [Cross] [Top Row] [Custom - Equally Divided].
 - Interior surfaces are [unfinished, ready for site finishing] [factory primed] [pine: factory prefinished [White] [Linen White] [Bright White] [stain₁]]. Exterior grilles to match the exterior cladding color.
 - Available only on units glazed with Low-E insulated glass with argon.
- or -
- Grilles-Between-the-Glass₂
 - Insulating glass contains 3/4" contoured aluminum grilles permanently installed between two panes of glass.
 - Patterns are [Traditional] [9-Lite Prairie] [Top Row] [Custom - Equally Divided].
 - Interior color is [White] [Ivory] [Tan₃] [Brickstone] [Black] [Putty₃] [Brown₃] [Harvest] [Cordovan].
 - Exterior color [matched to the exterior cladding color] [White]₄.

Screens

- InView™ screens
 - Full-size Vinyl-coated 18/18 mesh fiberglass screen cloth complying with the performance requirements of SMA 1201, set in aluminum frame fitted to outside of window, supplied complete with all necessary hardware.
 - Screen frame finish is baked enamel, color to match window cladding.

Hardware

- Optional factory applied limited opening device available for vent units in steel, nominal 3-3/4" opening.
- Optional window opening control device available for field installation. Device allows window to open less than 4" with normal operation, with a release mechanism that allows the sash to open completely. Complies with ASTM F2090-10.

Sensors

- Optional factory installed integrated security sensors available in vent units.

(1) Contact your local Pella sales representative for current designs and color options.

(2) Available on units glazed with Low-E insulated glass with argon, and obscure insulated glass.

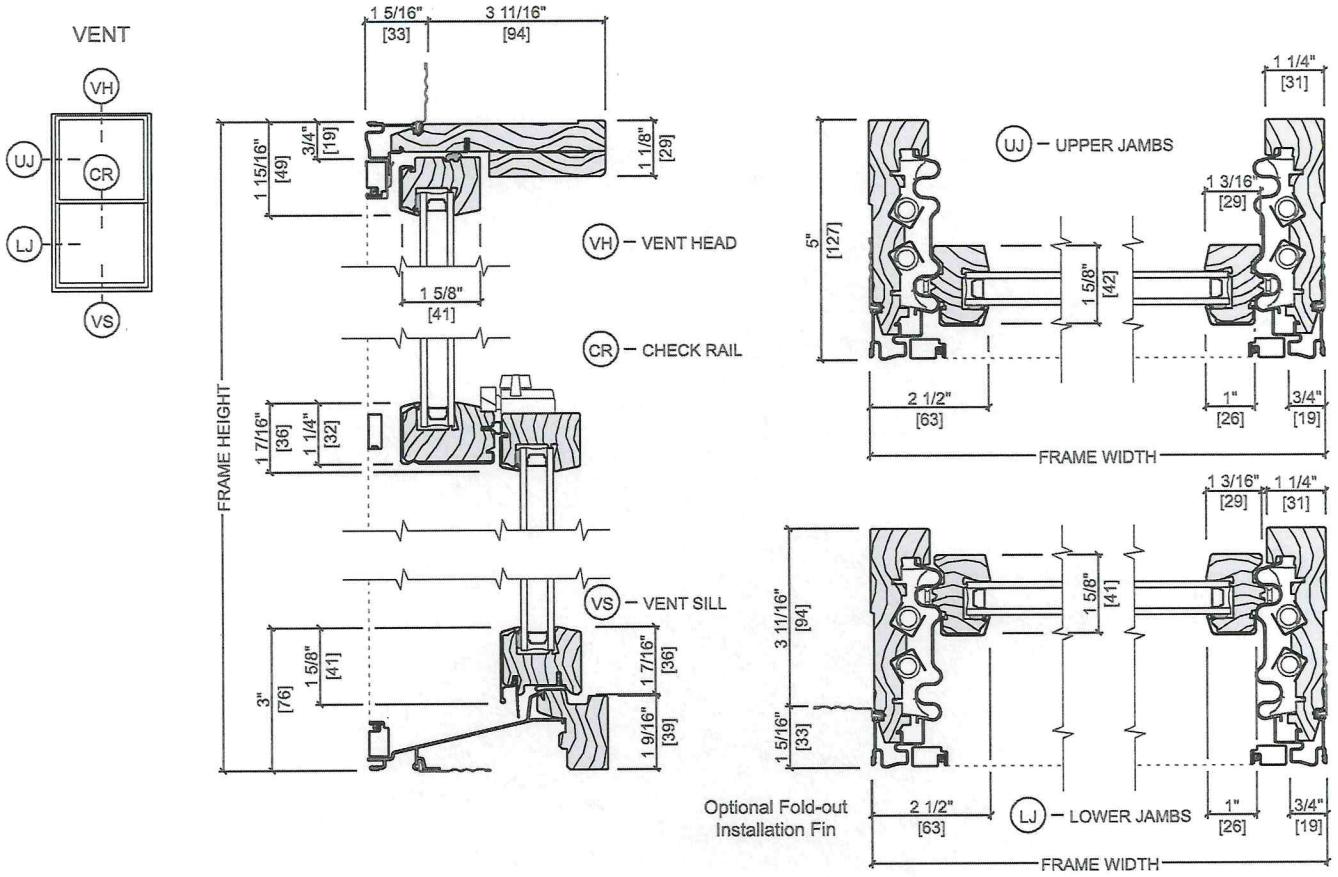
(3) Tan, brown and putty Interior GBG colors are available only with matching interior and exterior colors.

(4) Appearance of exterior grille color will vary depending on Low-E coating on glass.



Lifestyle Series Double-Hung

Unit Sections



Scale 3" = 1' 0"
 All dimensions are approximate.



Frame

- Select softwood, immersion treated with Pella's EnduraGuard® wood protection formula in accordance with WDMA I.S.-4. The EnduraGuard formula includes three active ingredients for protection against the effects of moisture, decay, stains from mold and mildew. Plus, an additional ingredient adds protection against termite damage.
- Interior exposed surfaces are [clear pine] [mahogany] [douglas fir].
- Exterior surfaces are clad with extruded aluminum.
- Components are assembled with screws, staples, and concealed corner locks.
- Curved glass stops are segmented.
- Curved head assembly shall be mitered at end where joined to non-curved frame members, screwed and sealed.
- Curved head assembly consists of solid wood core blocks bonded to stabilized wood fiber with water-resistant glue. Two sheets are laminated with veneers at interior.
- Overall frame depth is 5" (127mm) for a wall depth of 3-11/16" (94mm).
- Optional factory-applied jamb extensions available.
- Optional factory-applied EnduraClad® exterior trim.

Glazing System 1

- Quality float glass complying with ASTM C 1036.
- Custom and high altitude glazing available.
- Urethane-glazed [13/16"] [1"] dual-seal insulating glass [[annealed] [tempered]] [[clear] [Advanced Low-E] [SunDefense™ Low-E] [AdvancedComfort Low-E] [NaturalSun Low-E] with Argon]] [[bronze] [gray] [green] [obscure] Advanced Low-E with Argon].
- or -
- Urethane-glazed [1-1/8"] [1-1/4"] [1-3/8"] triple-seal insulating glass [[annealed] [tempered]] [[Advanced Low-E] [Advanced Low-E] [SunDefense™ Low-E] [SunDefense™ Low-E] [NaturalSun Low-E] [NaturalSun Low-E with Argon] [krypton]].
- or -
- Impact-Resistant
 - Urethane-glazed 1" dual-seal impact-resistant insulating glass₁ [1" [SGP] [PVB]] [1-1/4" SGP]. [[tempered] [annealed]] Laminated exterior light is [[Advanced Low-E with Argon] [SunDefense Low-E] [clear] [bronze] [gray] [green]]. Clear tempered interior light.

Exterior

- Extruded aluminum clad exteriors shall be finished with EnduraClad® protective finish, in a multi-step, baked-on finish.
 - Color is [standard] [custom]₂
- Extruded aluminum clad exteriors shall be finished with EnduraClad Plus protective finish with 70% fluoropolymer resin in a multi-step, baked-on finish.
 - Color is [standard] [custom]₂

Interior

- [Unfinished, ready for site finishing] [factory primed with one coat acrylic latex] [factory prefinished [paint] [stain]₂].

Optional Products

Grilles 5

- Integral Light Technology® grilles – Traditional Style Collection
 - Interior grilles are [7/8"] [1-1/4"] [2"] (traditional pattern only) ogee profile that are solid [pine] [mahogany] [douglas fir]. Interior surfaces are [unfinished, ready for site finishing] [factory primed] [pine: factory prefinished [paint]₂ [stain]₂ to match interior finish]. Curved grilles may have visible finger joints.
 - Exterior grilles are [7/8" [ogee] [putty] profile] [1-1/4" [ogee] [putty] profile] [2" [ogee] [putty] profile (traditional pattern only)] that are extruded aluminum, color matched to exterior cladding.
 - Insulating glass contains non-glare spacer between the panes of glass.
 - Grilles are adhered to both sides of the insulating glass with VHB acrylic adhesive tape and aligned with the non-glare spacer.
 - Grille pattern is [Traditional] [Prairie] [Top Row] [Cross] [Sunburst] [Starburst].
- or -
- Integral Light Technology® grilles – Contemporary Style Collection (rectangular and angled shapes only)
 - Interior grilles are [5/8"] [7/8"] [1-1/4"] [2"] square profile that are solid [pine] [mahogany] [douglas fir]. Interior surfaces are [unfinished, ready for site finishing] [factory primed] [pine: factory prefinished [paint] [stain]₂ to match interior finish].
 - Exterior grilles are [5/8"] [7/8"] [1-1/4"] [2"] square profile that are extruded aluminum, color matched to exterior cladding.
 - Insulating glass contains non-glare spacer between the panes of glass.
 - Grilles are adhered to both sides of the insulating glass with VHB acrylic adhesive tape and aligned with the non-glare spacer.
 - Grille pattern is [Traditional] [Prairie] [Top Row] [Cross].
- or -
- Simulated-Divided-Light grilles [with optional spacer]
 - Interior grilles are 7/8" regular profile that are solid pine. Curved grilles may have visible finger joints. Interior surfaces are [unfinished, ready for site finishing] [factory prefinished [paint] [stain]₂ to match interior finish].
 - Exterior grilles are 7/8" regular profile extruded aluminum, color matched to exterior cladding.
 - Grilles permanently bonded to the interior and exterior of glass with VHB acrylic adhesive tape and are aligned with the optional spacer between the panes of insulating glass.
 - Grille Pattern is [Traditional] [Prairie] [Top Row] [Cross] [Sunburst] [Starburst]
 - Available only on units glazed with Low-E insulated glass with Argon.
- or -
- Grilles-Between-the-Glass 3
 - Insulating glass contains 3/4" contoured aluminum grilles permanently installed between two panes of glass.
 - Interior color is [White] [Black] [Tan₄] [Brown₄] [Putty₄] [Ivory] [Brickstone] [Harvest] [Cordova].
 - Exterior color₄ is [Standard]₂.
 - Grille pattern is [Traditional] [Prairie] [Cross] [Top Row] [Sunburst].

(1) Insulating glass with Argon is Low-E coated (except high altitude). All other insulating glass (including high altitude Low-E) is Air-filled.

(2) Contact your local Pella sales representative for current color options.

(3) Available in clear or Low-E insulating glass with Argon, and obscure insulated glass.

(4) Tan, Brown and Putty GBG colors are available in single-tone only (Brown/Brown, Tan/Tan or Putty/Putty), other interior/exterior color restrictions may apply.

(5) Certain grille types and patterns may have restrictions depending on unit size and shape, contact your local Pella sales representative for details.

(6) Appearance of exterior grille color will vary depending on Low-E coating on glass.



Exterior Glazed Detailed Product Description

Consult with your local Pella sales representative for current availability, limitations may apply.

Frame

- Select softwood, immersion treated with Pella's EnduraGuard® wood protection formula in accordance with WDMA I.S.-4. The EnduraGuard formula includes three active ingredients for protection against the effects of moisture, decay, stains from mold and mildew. Plus, an additional ingredient adds protection against termite damage.
- Interior exposed surfaces are [clear pine] [mahogany] [douglas fir].
- Exterior surfaces are clad with aluminum.
- Components are assembled with screws, staples, and concealed corner locks.
- Overall frame depth is 5" (127mm) for a wall depth of 3-11/16" (94mm).
- Optional factory-applied jamb extensions available.

Glazing System ¹

- Quality float glass complying with ASTM C 1036.
- Custom and high altitude glazing available.
- Urethane-glazed clear single-light with removable aluminum stops.
 - or -
- Urethane-glazed dual-seal insulating glass [[annealed] [tempered]] [[clear] [Advanced Low-E] [SunDefense™ Low-E] [AdvancedComfort Low-E] [NaturalSun Low-E with Argon]] [[bronze] [gray] [green] Advanced Low-E with Argon] with removable aluminum stops.

Exterior

- Aluminum clad exteriors shall be finished with EnduraClad® protective finish, in a multi-step, baked-on finish.
 - Color is [standard] [custom]₂.
 - or -
- Aluminum clad exteriors shall be finished with EnduraClad Plus protective finish with 70% fluoropolymer resin in a multi-step, baked-on finish.
 - Color is [standard] [custom]₂.

Interior

- [Unfinished, ready for site finishing] [factory primed with one coat acrylic latex] [factory prefinished [paint] [stain]₂].

Optional Products

Grilles

- Grilles-Between-the-Glass
 - Insulating glass contains 3/4" contoured aluminum grilles permanently installed between two panes of glass.
 - Patterns are [Traditional] [Prairie] [Cross] [Top Row] [Custom - Equally Divided].
 - Interior color is [White] [Black] [Tan₃] [Brown₃] [Putty₃] [Ivory] [Brickstone] [Harvest] [Cordovan].
 - Exterior color₄ is [standard₂].

(1) Insulating glass with Argon is Low-E coated (except high altitude). All other insulating glass (including high altitude Low-E) is Air-filled.

(2) Contact your local Pella sales representative for current designs and color options.

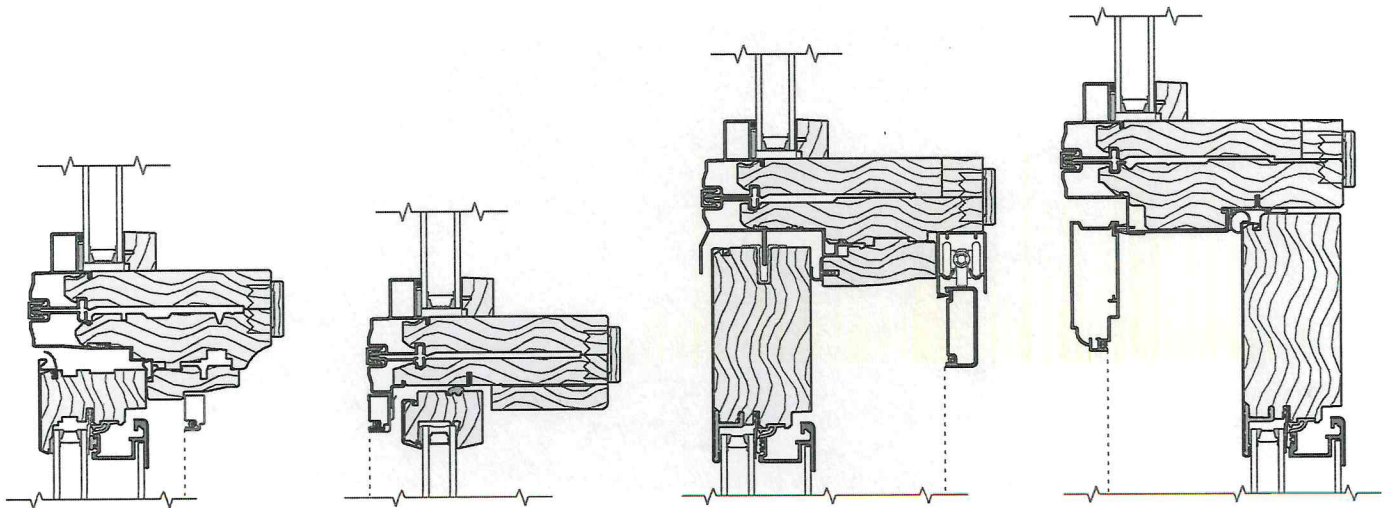
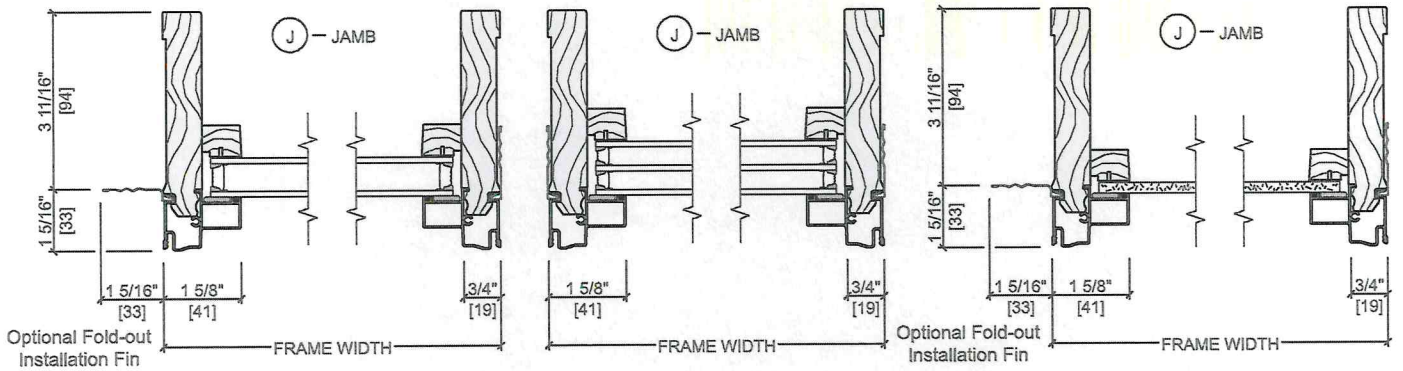
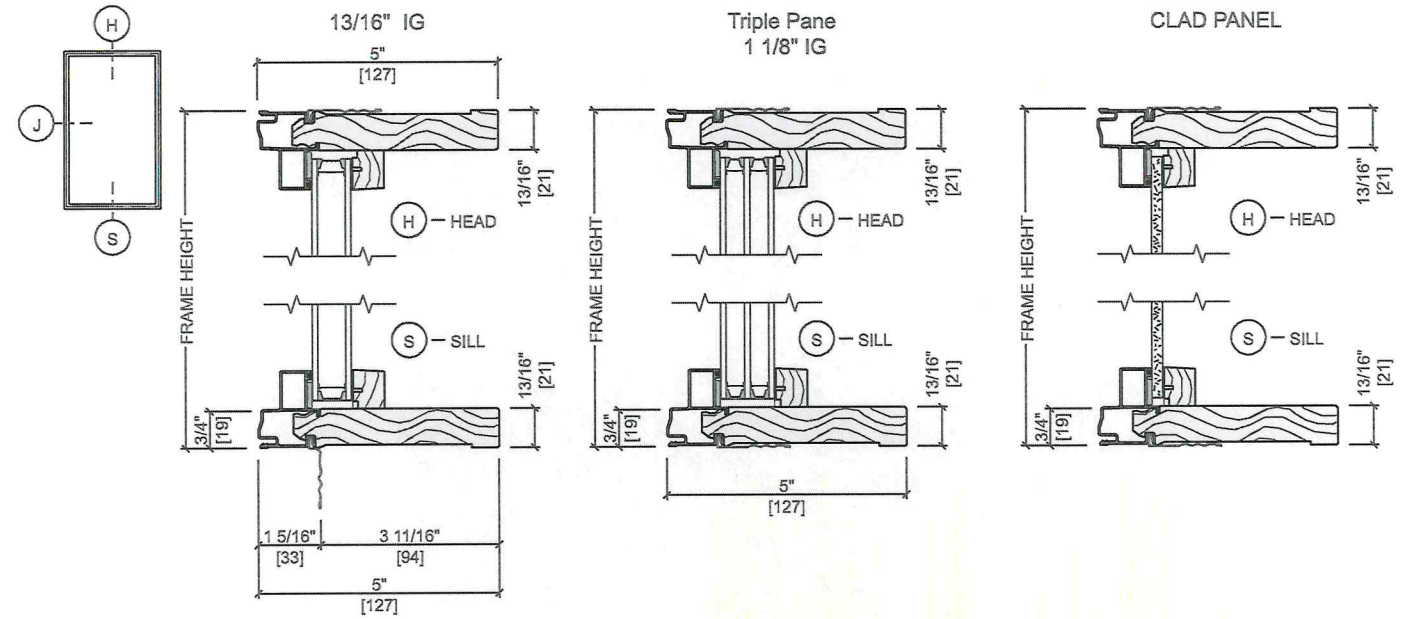
(3) Tan, Brown and Putty GBG colors are available in single-tone only (Brown/Brown, Tan/Tan or Putty/Putty) (Putty mono), other interior/exterior color restrictions may apply.

(4) Appearance of exterior grille color will vary depending on Low-E coating on glass.



Clad-Wood Fixed Frame Direct Set Windows

Unit Sections - Interior Glazed Rectangular and Angled Shapes



Scale 3" = 1' 0"

All dimensions are approximate.

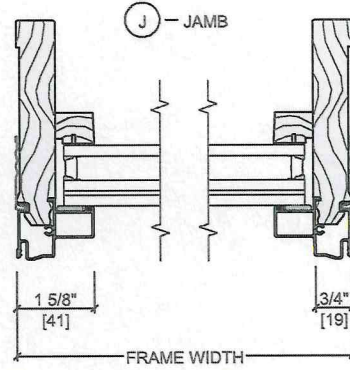
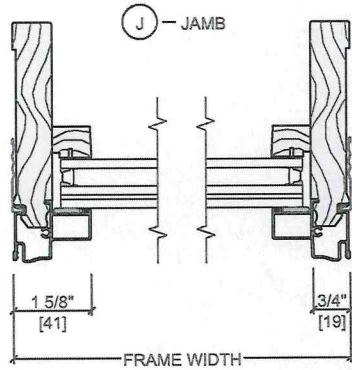
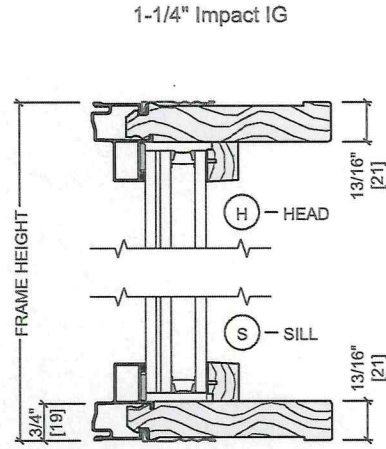
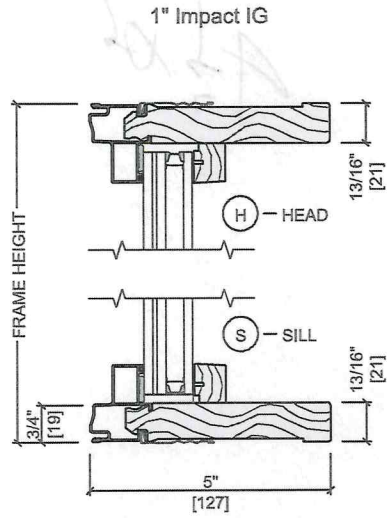
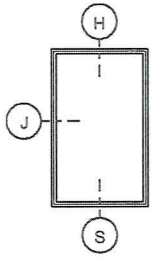
See www.PellaADM.com for mullion limitations and reinforcing requirements.

Rev. 08/30/21



Clad-Wood Fixed Frame Direct Set Windows

Unit Sections - Interior Glazed Rectangular and Angled Shapes w/Impact-Resistant Glass



Scale 3" = 1' 0"
All dimensions are approximate.