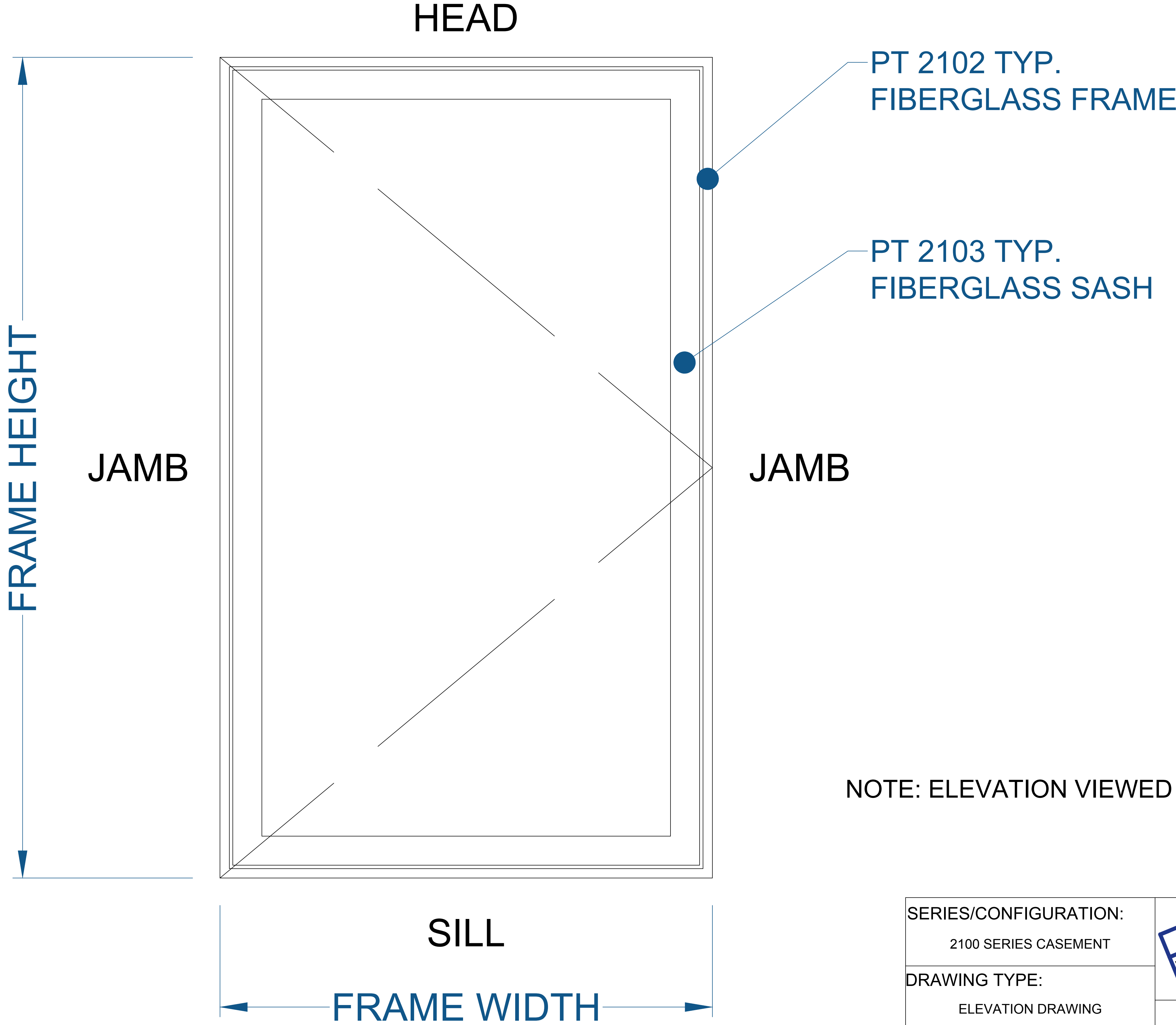



2100 SERIES CASEMENT

(ELEVATION DRAWING)



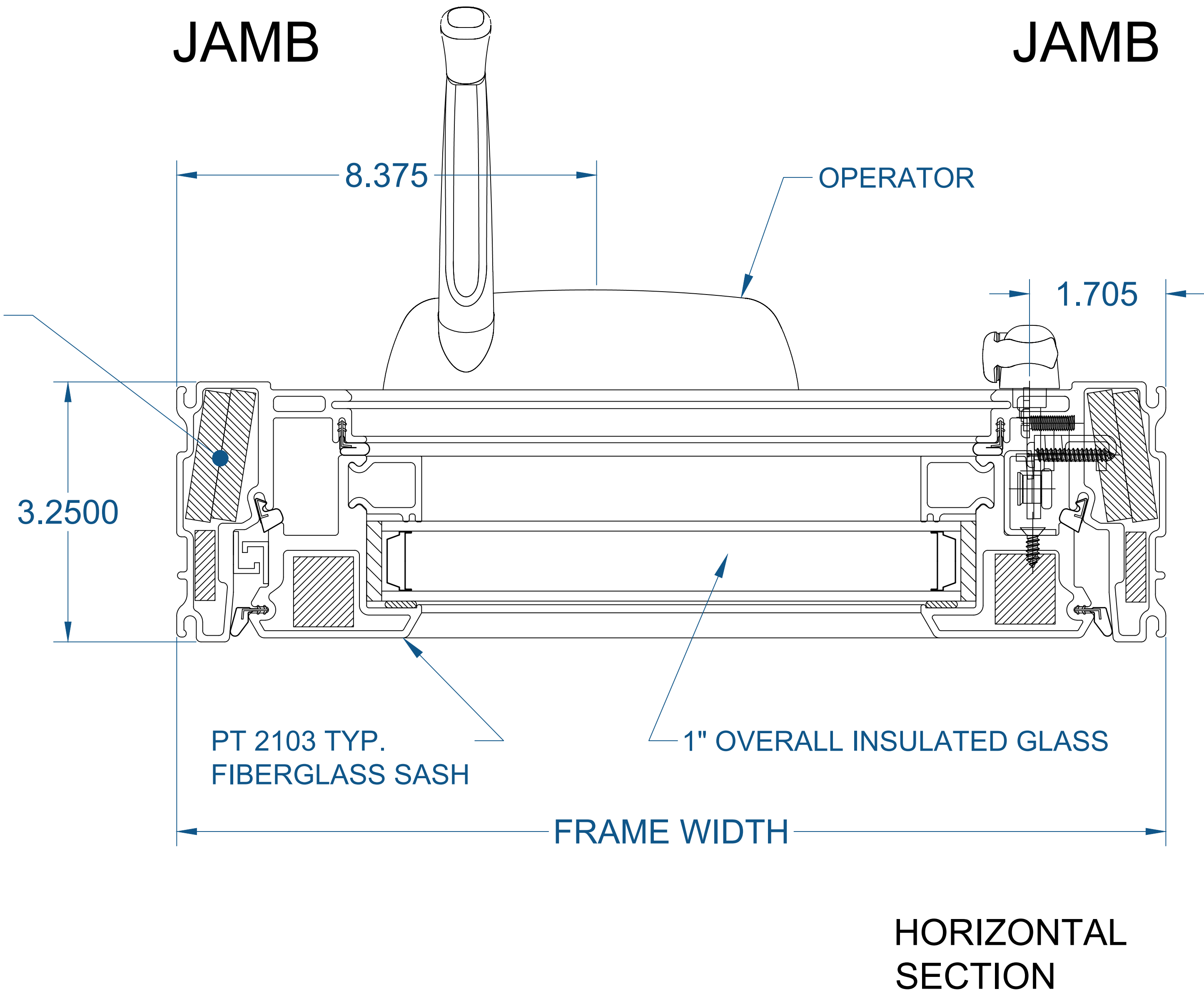
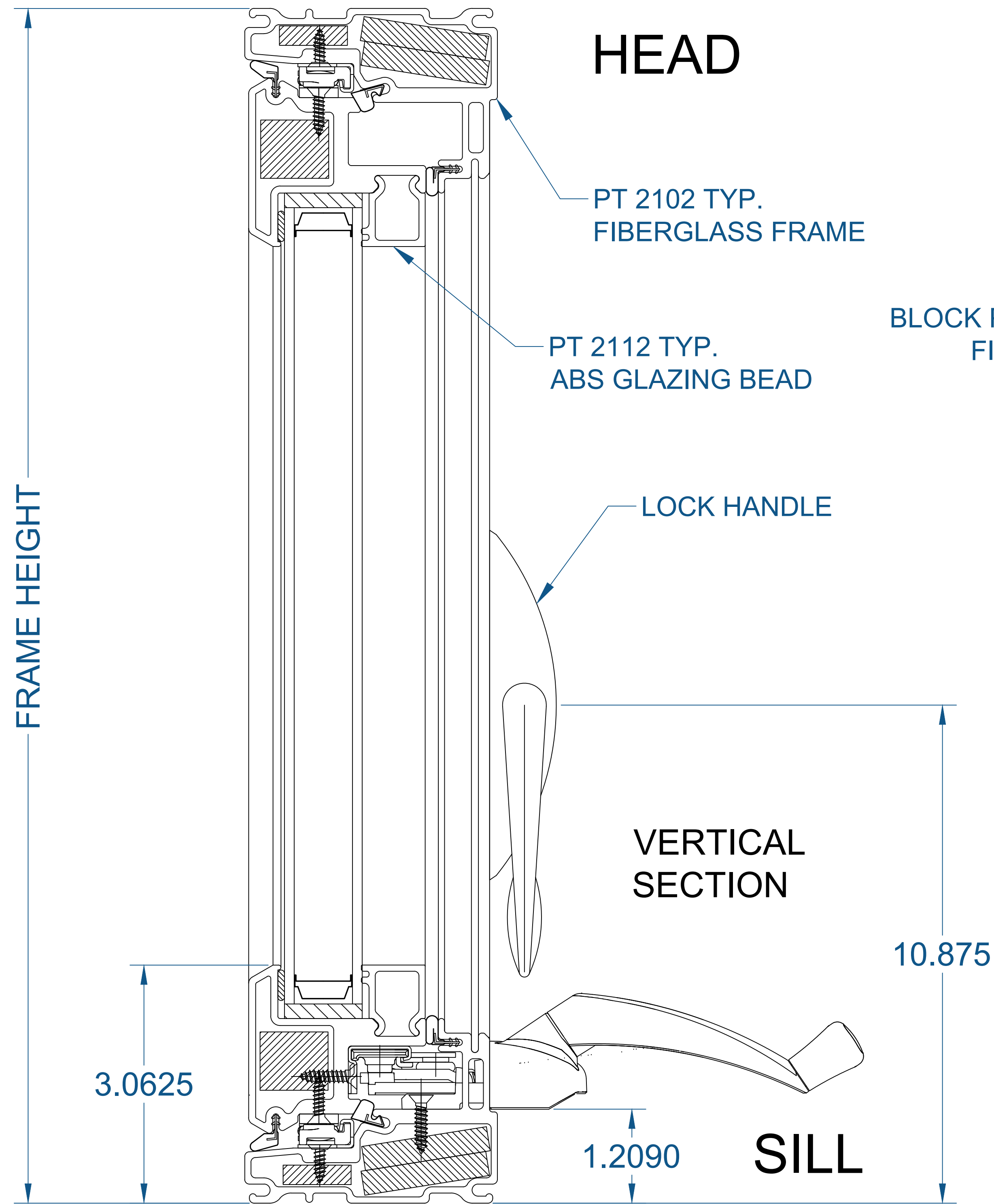
NOTE: ELEVATION VIEWED FROM THE OUTSIDE LOOKING IN.

SEE PRODUCT SPECIFICATIONS PAGE FOR COMPLETE PRODUCT DESCRIPTION.

SERIES/CONFIGURATION: 2100 SERIES CASEMENT		 FiberFrame™ Comfort Line® <small>FIBERGLASS WINDOWS, PATIO DOORS, SUNROOMS & STOREFRONT</small>	COMFORT LINE LTD. 5500 ENTERPRISE BLVD. TOLEDO, OH 43612 419-729-8520	
DRAWING TYPE: ELEVATION DRAWING			THIS DRAWING IS THE PROPERTY OF COMFORT LINE LTD. DESIGN CONCEPTS AND INFORMATION MAY NOT BE REPRODUCED USED OR DISCLOSED WITHOUT THE WRITTEN PERMISSION OF COMFORT LINE LTD.	
		PROJECT: 2100 CASEMENT		
		SCALE: 6" = 1' - 0"	QUOTE: ####	SHEET: CA1
DATE	REVISION	BY	DRAWN BY: AJL	


2100 SERIES CASEMENT

(SECTION PROFILE)



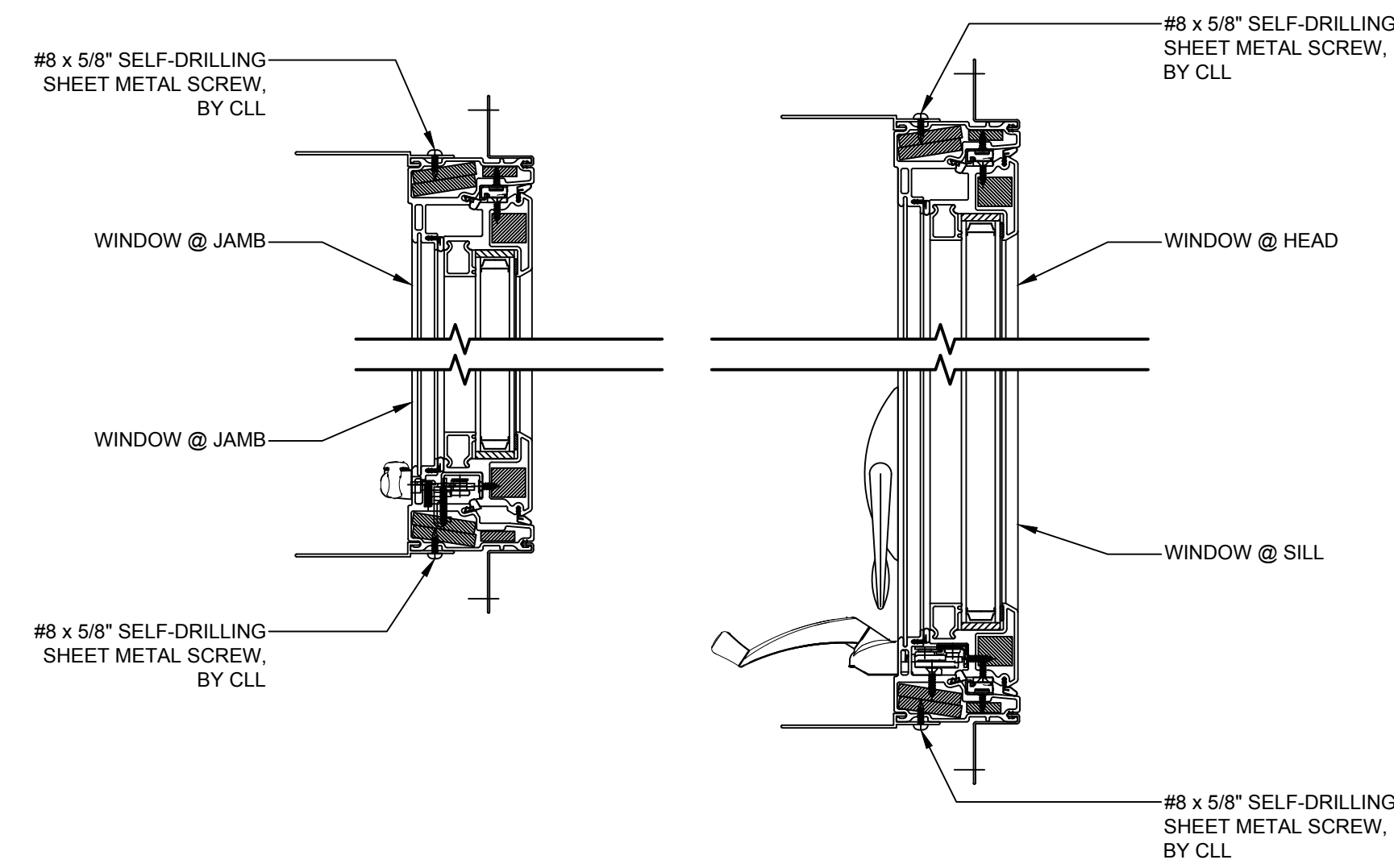
NOTE: OPERATION VIEWED FROM THE OUTSIDE LOOKING IN.
LEFT HINGED SHOWN, RIGHT HINGED MIRROR IMAGE.

SEE PRODUCT SPECIFICATIONS PAGE FOR COMPLETE PRODUCT DESCRIPTION.

SERIES/CONFIGURATION: 2100 SERIES CASEMENT		 FiberFrame™ Comfort Line® <small>FIBERGLASS WINDOWS, PATIO DOORS, SUNROOMS & STOREFRONT</small>	COMFORT LINE LTD. 5500 ENTERPRISE BLVD. TOLEDO, OH 43612 419-729-8520	
DRAWING TYPE: DETAIL WINDOW PROFILES			THIS DRAWING IS THE PROPERTY OF COMFORT LINE LTD. DESIGN CONCEPTS AND INFORMATION MAY NOT BE REPRODUCED USED OR DISCLOSED WITHOUT THE WRITTEN PERMISSION OF COMFORT LINE LTD.	
		SCALE: 1' - 0" = 1' - 0"	PROJECT: 2100 CASEMENT	
		DATE: 2/13/17	QUOTE: ####	SHEET: CA2
DATE	REVISION	BY	DRAWN BY: AJL	

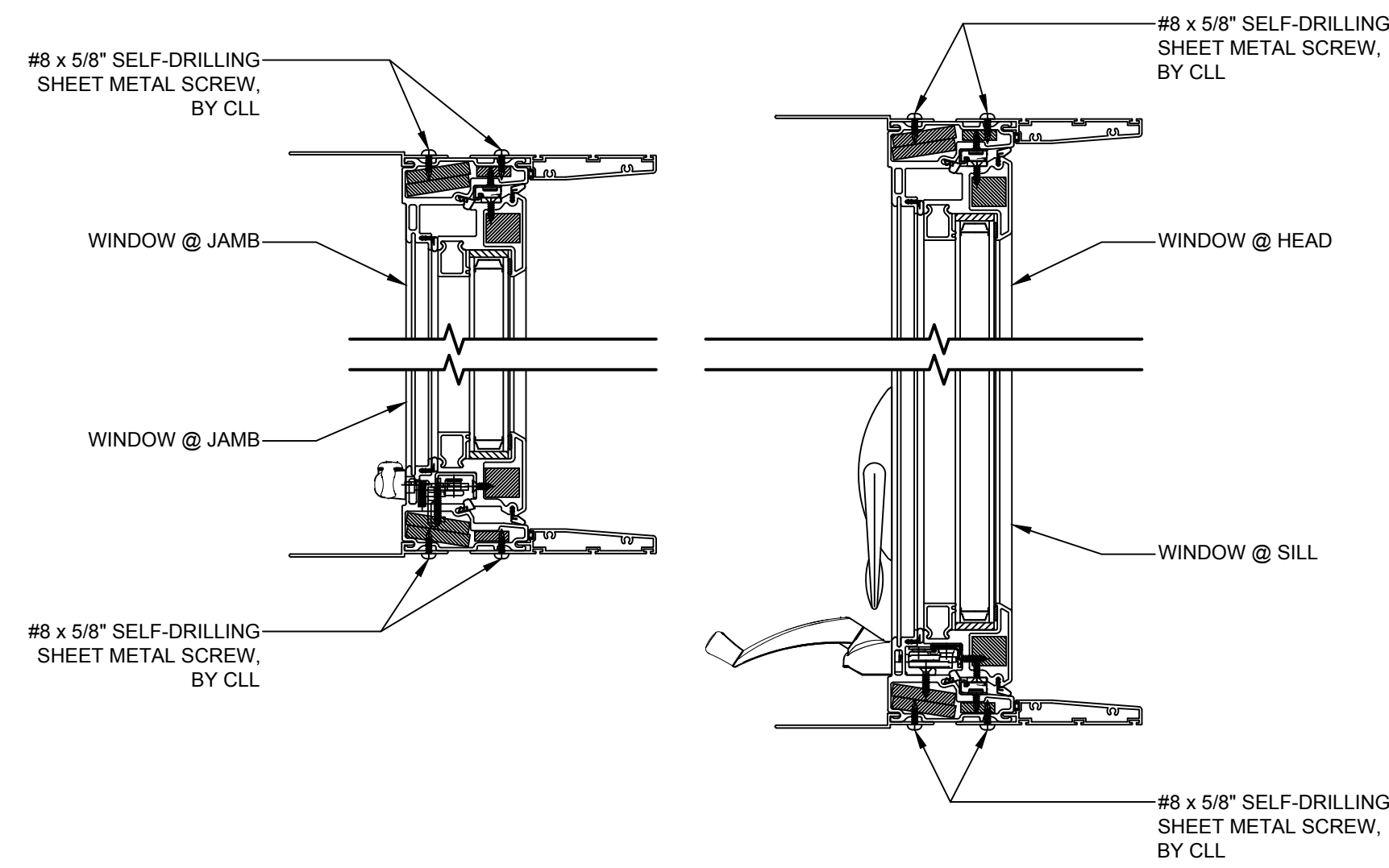
2100 SERIES CASEMENT

(SERIES OVERVIEW)



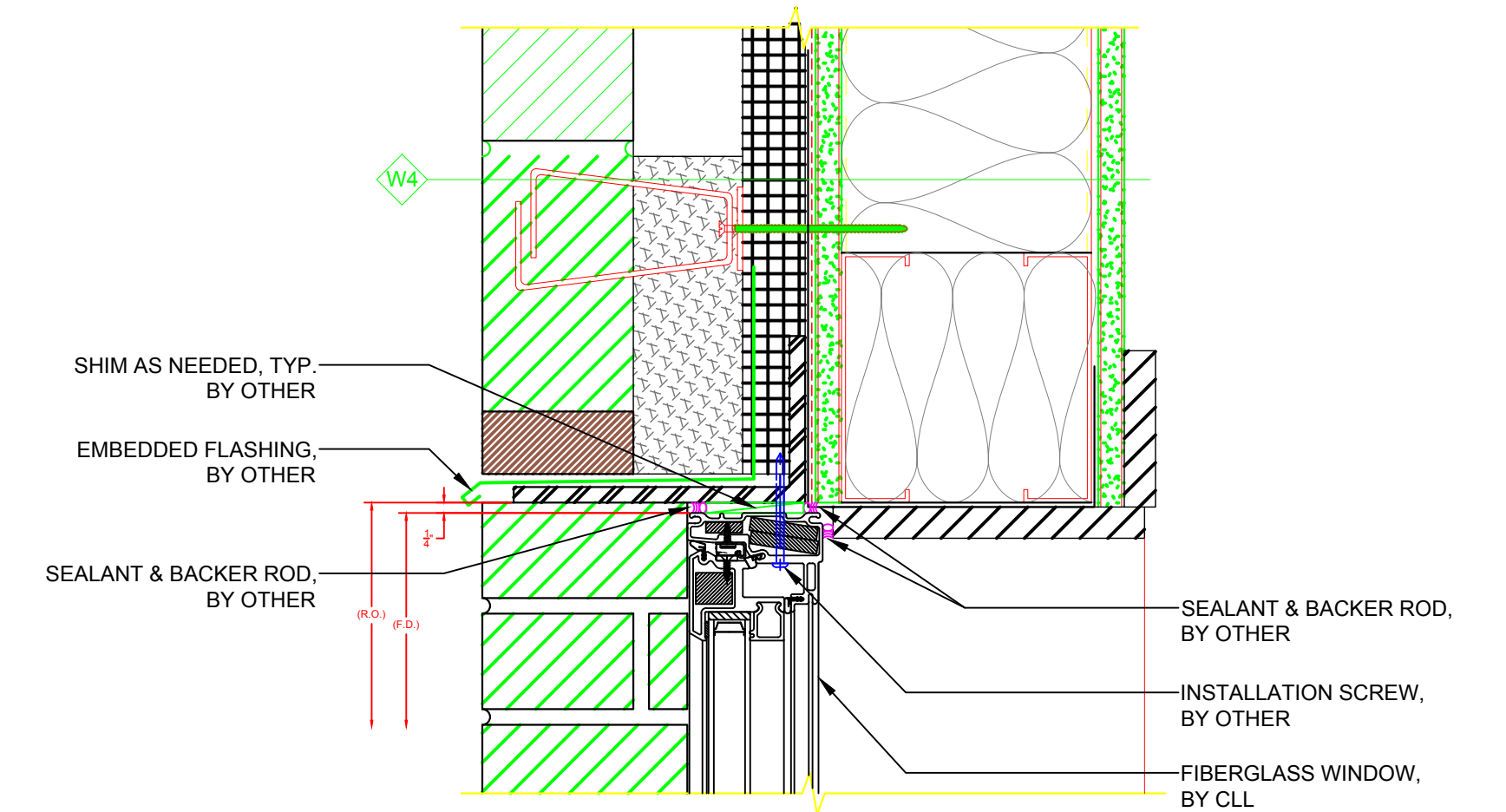
2100 SERIES CASEMENT WINDOW PROFILE W/
RIGID NAIL FIN & ANCHOR STRAP (BY CLL)

#8 x 5/8" SELF-DRILLING SHEET METAL SCREW @ ANCHOR STRAP (BY CLL)

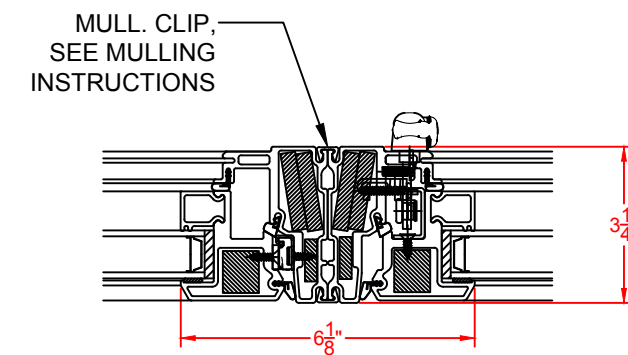


2100 SERIES CASEMENT WINDOW PROFILE W/
3 1/4" PANNING & ANCHOR STRAP (BY CLL)

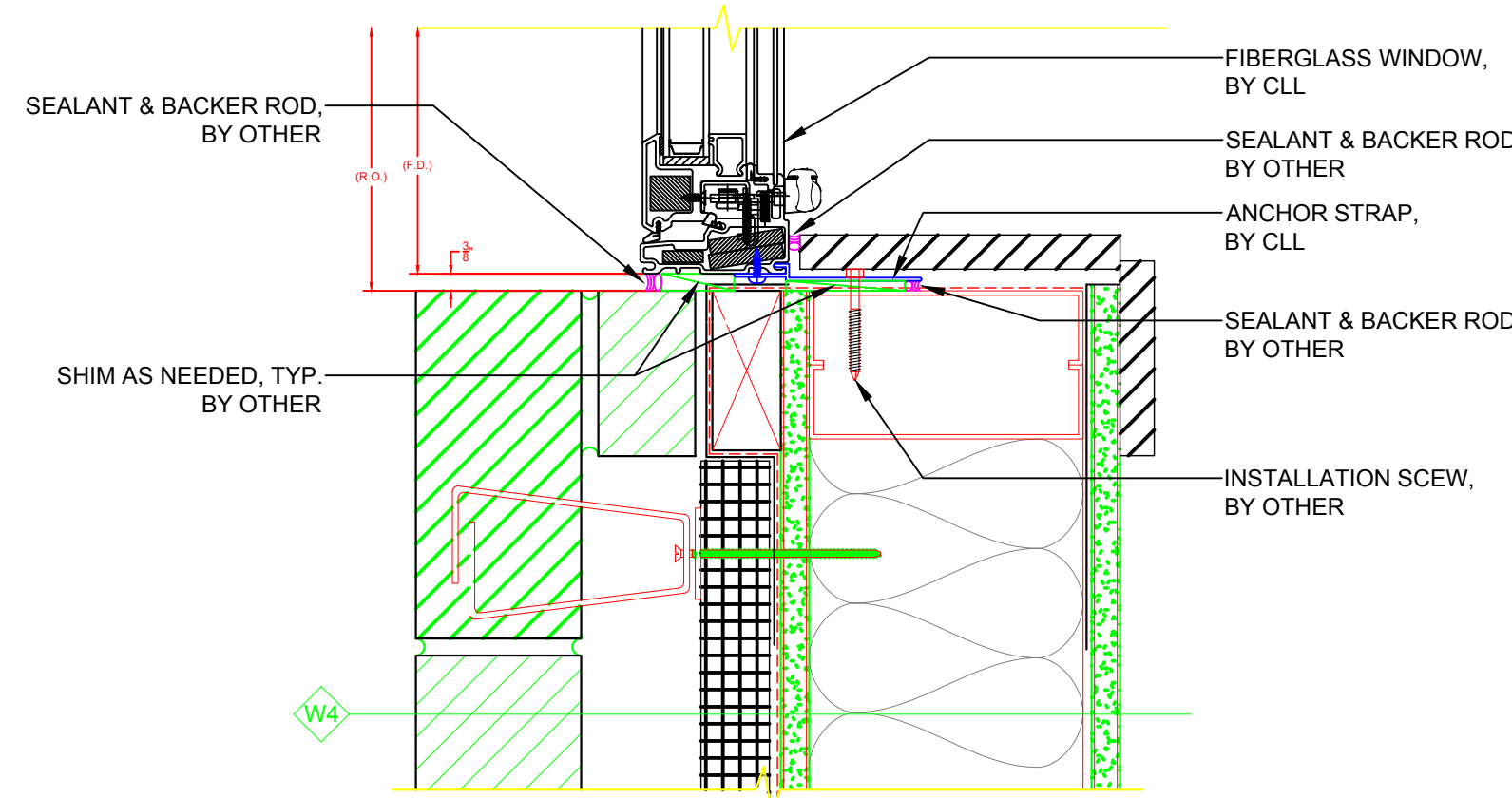
#8 x 5/8" SELF-DRILLING SHEET METAL SCREW @ ANCHOR STRAP (BY CLL)
#8 x 5/8" SELF-DRILLING SHEET METAL SCREW @ PANNING (BY CLL)



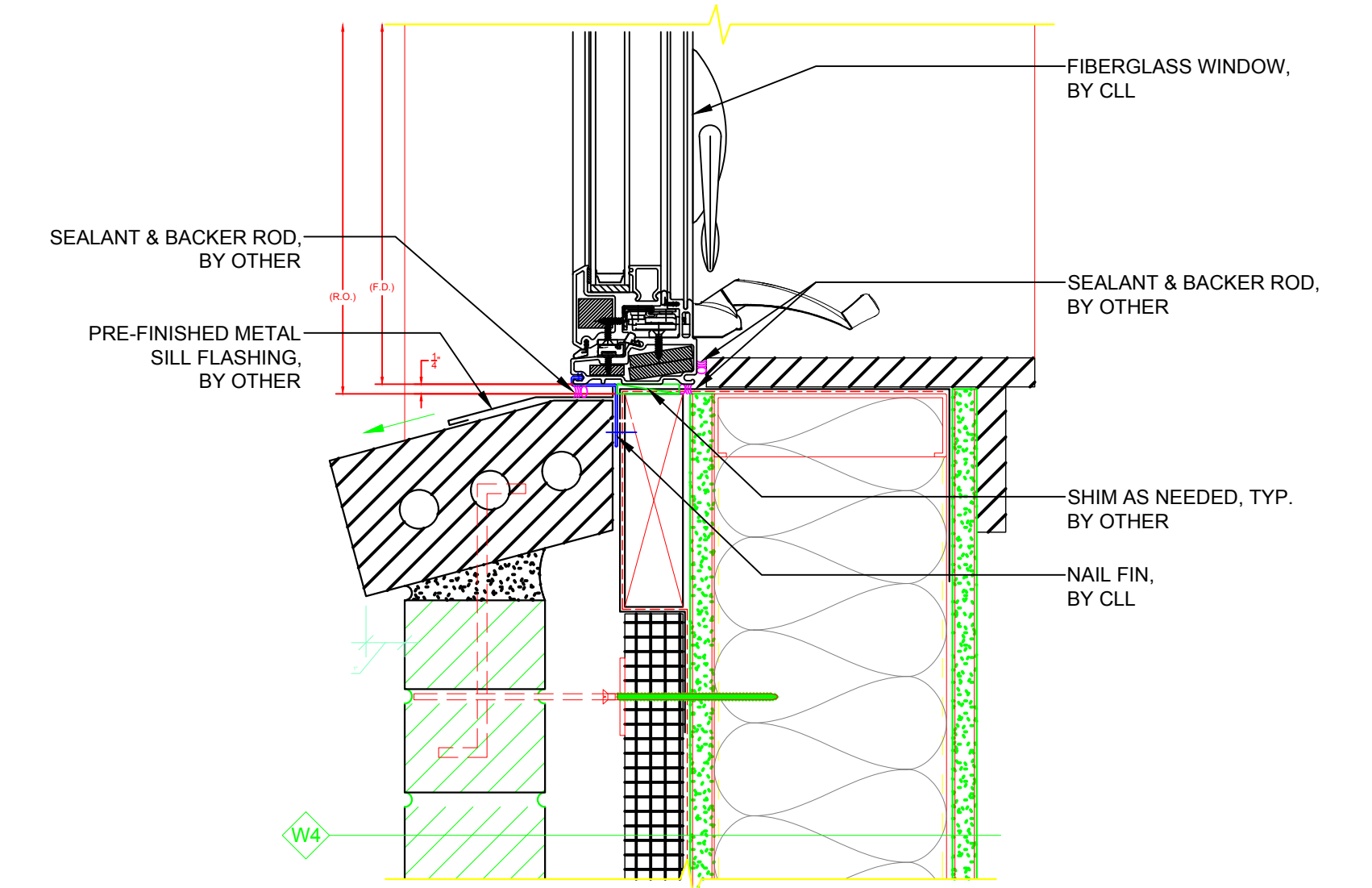
HEAD DETAIL - 2100 CASEMENT WINDOW
(W/ INSTALL THROUGH FRAME)



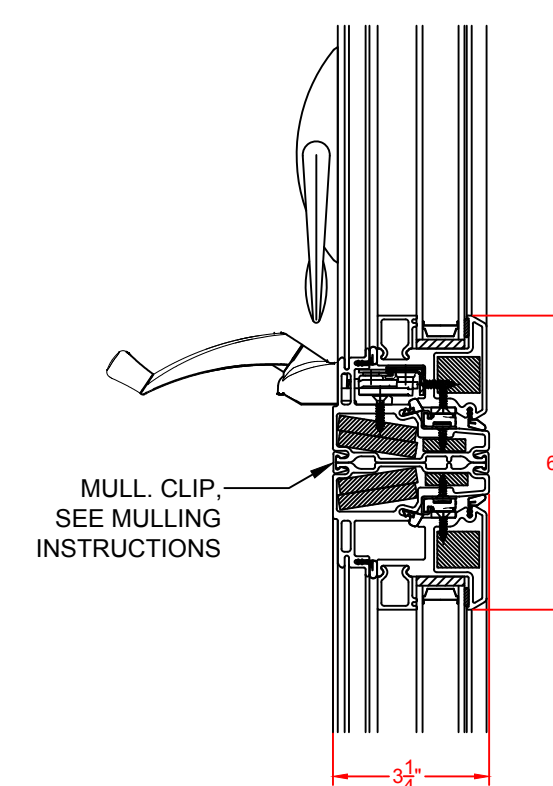
MULL. DETAIL - CASEMENT / CASEMENT - TYP.
VERTICAL MULLS



JAMB DETAIL - 2100 CASEMENT WINDOW
(W/ ANCHOR STRAP)



SILL DETAIL - 2100 CASEMENT WINDOW
(W/ RIGID NAIL FIN)




MULL. DETAIL - CASEMENT / CASEMENT - TYP.
HORIZONTAL MULLS

*** NOTE:**

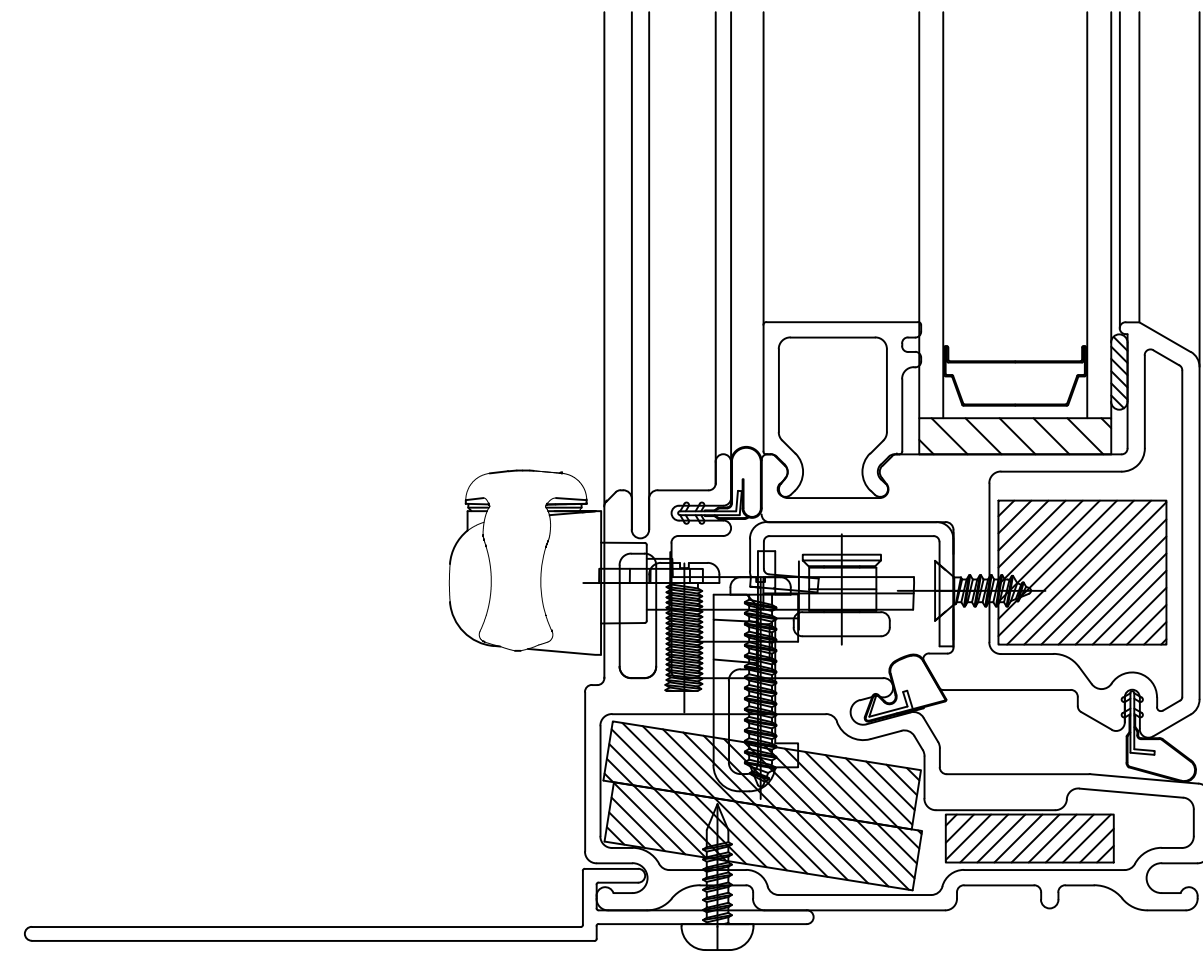
- ALL DRAWINGS ARE FOR REFERENCE PURPOSES ONLY
- ACTUAL INSTALLATION, FASTENERS, ETC. MAY VARY
- AVB & SEALANT BY OTHER, PER LOCAL & INTERNATIONAL BUILDING CODES
- ALL INSTALLATION SCREWS GOING INTO R.O. ARE BY OTHER
- ALL SHIMS ARE BY OTHER

SEE PRODUCT SPECIFICATIONS PAGE FOR COMPLETE PRODUCT DESCRIPTION.

SERIES/CONFIGURATION: 2100 SERIES CASEMENT		 <p>COMFORT LINE LTD. 5500 ENTERPRISE BLVD. TOLEDO, OH 43612 419-729-8520</p>
DRAWING TYPE: DETAIL WINDOW PROFILES		
		THIS DRAWING IS THE PROPERTY OF COMFORT LINE LTD. DESIGN CONCEPTS AND INFORMATION MAY NOT BE REPRODUCED USED OR DISCLOSED WITHOUT THE WRITTEN PERMISSION OF COMFORT LINE LTD.
		PROJECT: 2100 CASEMENT
		SCALE: 3" = 1' - 0"
		DATE: 2/13/17
DATE	REVISION	BY
		DRAWN BY: AJL
		QUOTE: #####
		SHEET: CA3

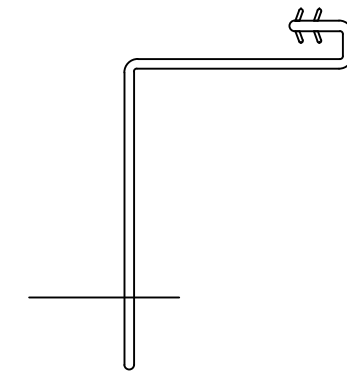
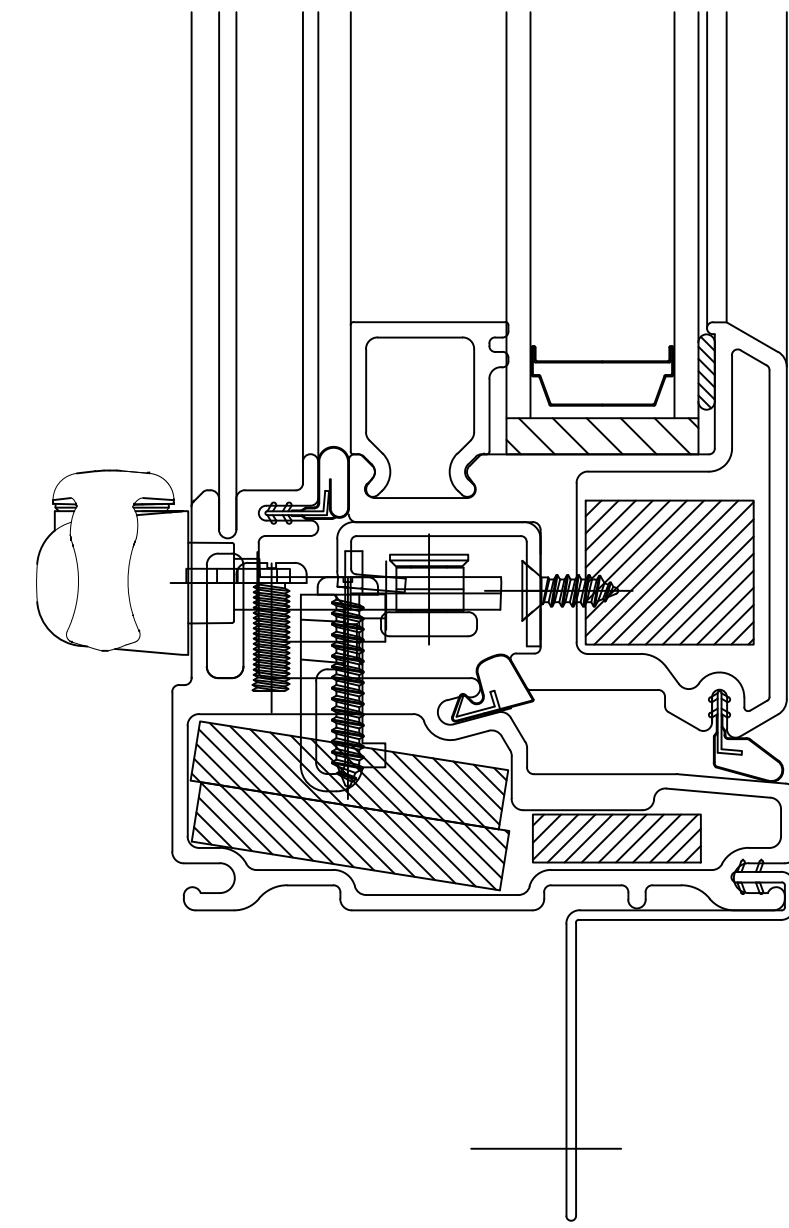
2100 SERIES CASEMENT

(AVAILABLE ACCESSORIES)



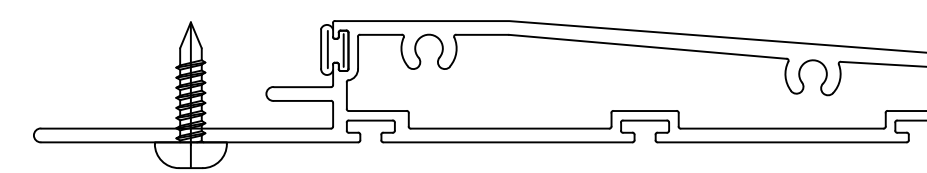
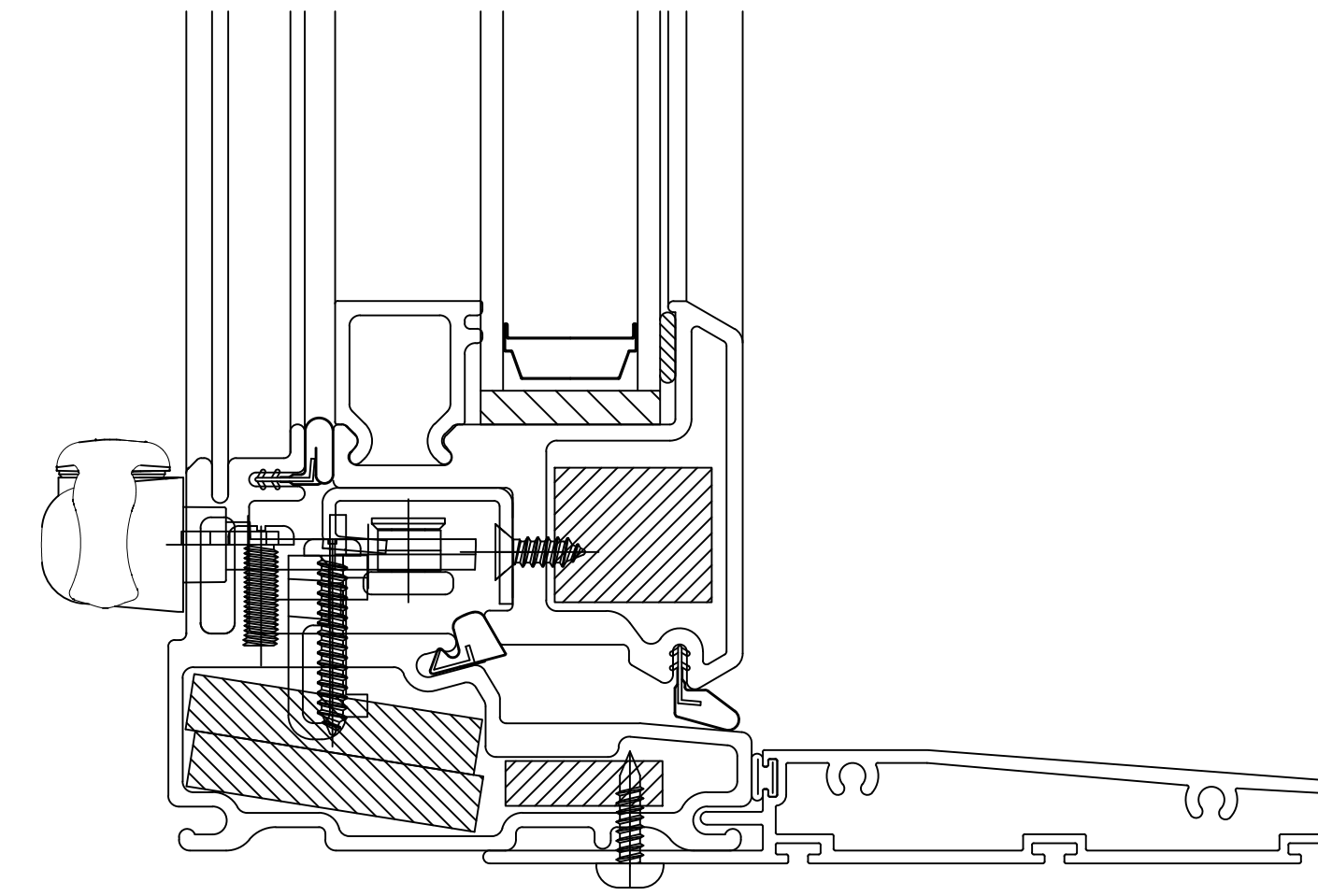
2100 CASEMENT WINDOW
W/ ANCHOR STRAP

#



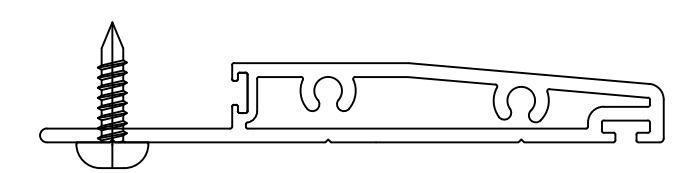
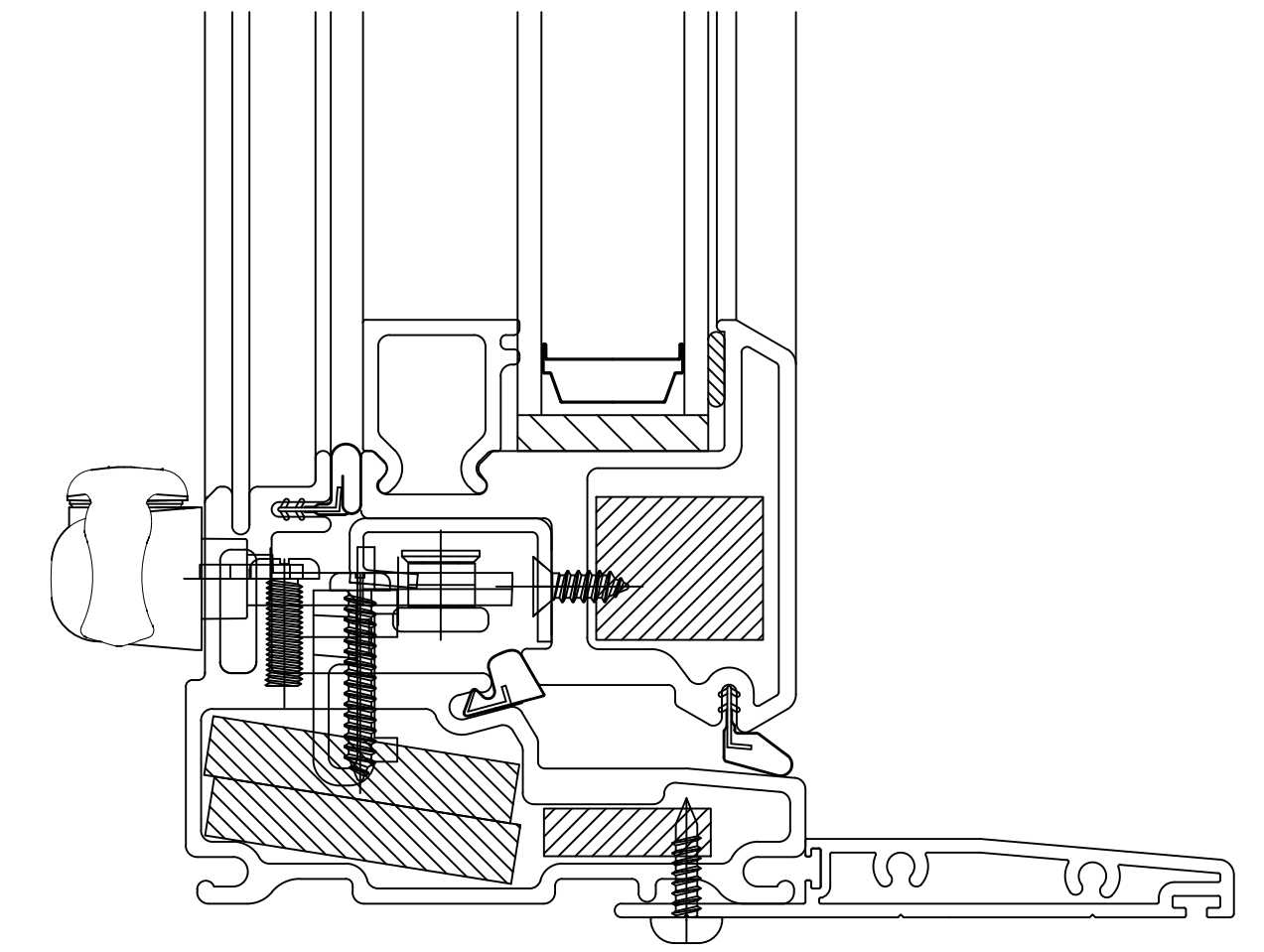
2100 CASEMENT WINDOW
W/ RIGID NAIL FIN

#



2100 CASEMENT WINDOW
W/ 3 ¹/₄" PANNING

#




2100 CASEMENT WINDOW
W/ 2 ¹/₄" PANNING

#

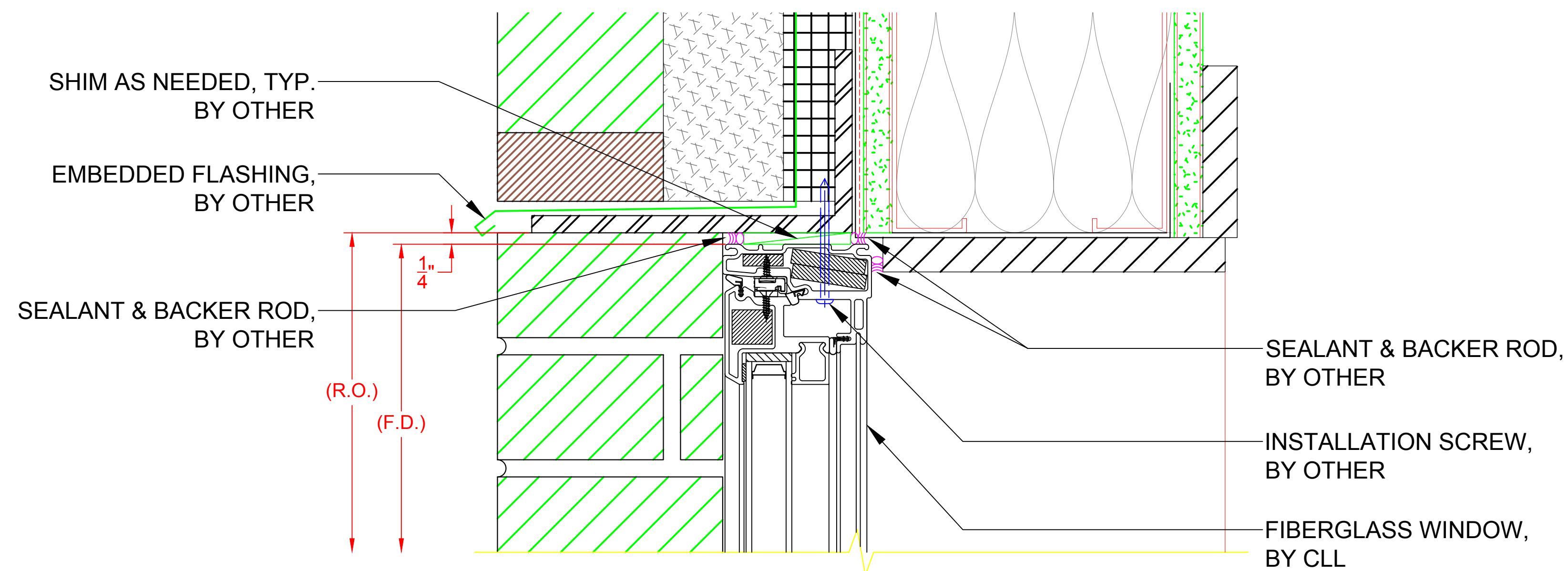
NOTE: - ACCESSORIES SHOWN ARE AVAILABLE OPTIONS FOR THE CURRENT WINDOW SERIES.
- ALL ACCESSORIES ARE NOT AVAILABLE FOR EVERY WINDOW SERIES.

SEE PRODUCT SPECIFICATIONS PAGE FOR COMPLETE PRODUCT DESCRIPTION.

SERIES/CONFIGURATION: 2100 SERIES CASEMENT		 FiberFrame™ Comfort Line® <small>FIBERGLASS WINDOWS, PATIO DOORS, SUNROOMS & STOREFRONT</small>	COMFORT LINE LTD. 5500 ENTERPRISE BLVD. TOLEDO, OH 43612 419-729-8520	
DRAWING TYPE: PROFILE W/ ACCESSORIES			THIS DRAWING IS THE PROPERTY OF COMFORT LINE LTD. DESIGN CONCEPTS AND INFORMATION MAY NOT BE REPRODUCED USED OR DISCLOSED WITHOUT THE WRITTEN PERMISSION OF COMFORT LINE LTD.	
		SCALE: 1' - 0" = 1' - 0"	PROJECT: 2100 CASEMENT	
		DATE: 2/13/17	QUOTE: ###	SHEET: CA4
DATE	REVISION	BY	DRAWN BY: AJL	

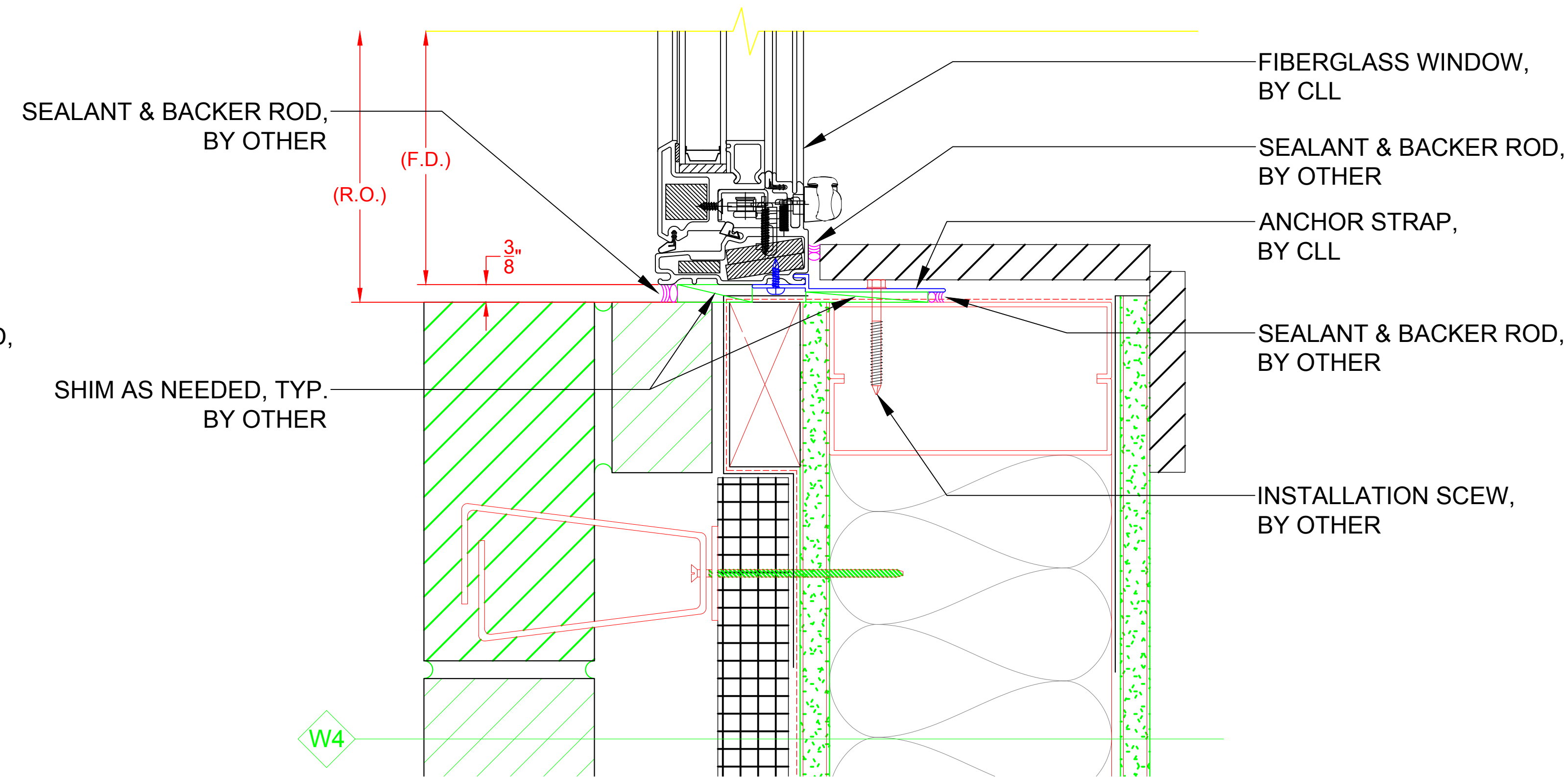
2100 SERIES CASEMENT

(INSTALLATION METHODS)



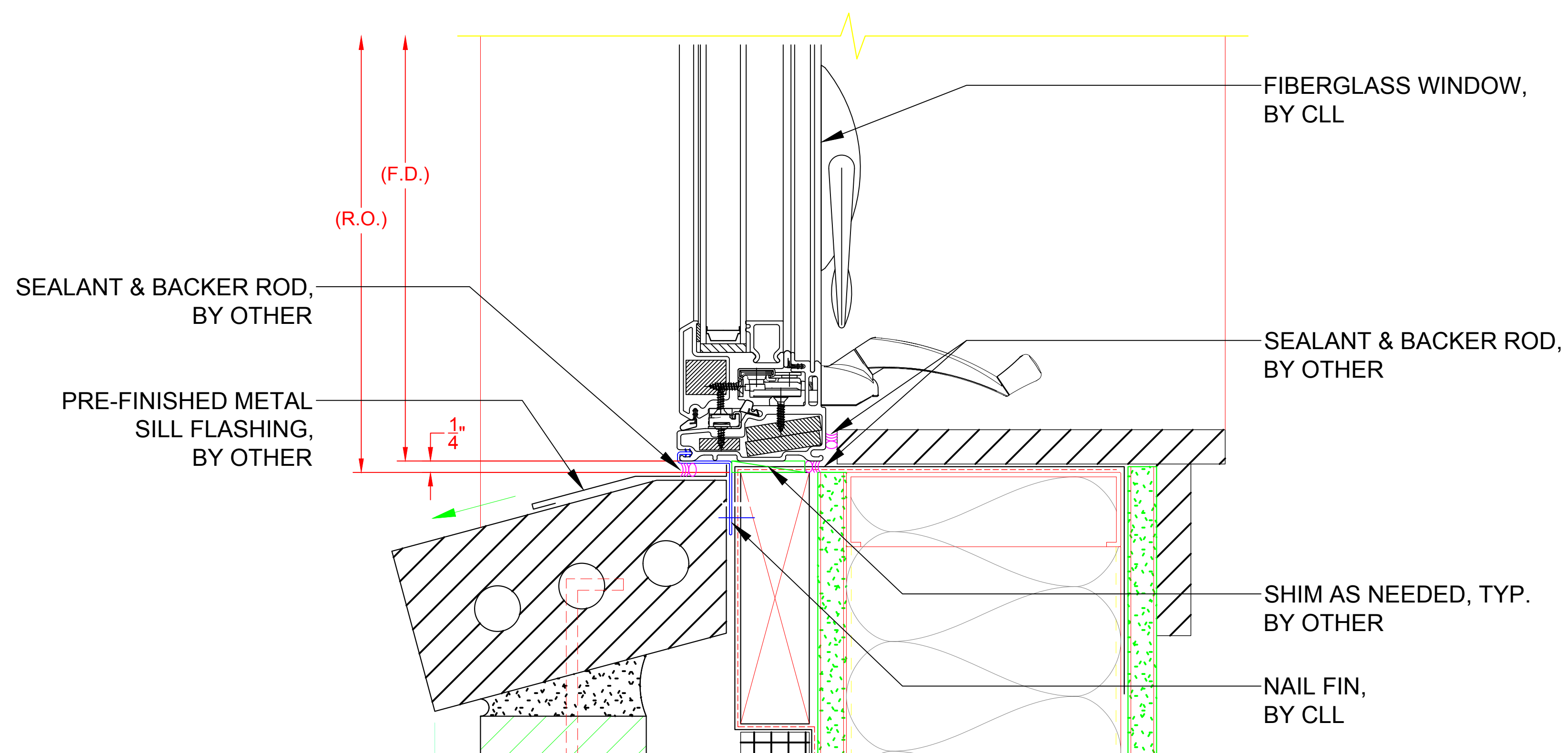
HEAD DETAIL - 2100 CASEMENT WINDOW (W/ INSTALL THROUGH FRAME)

H1



JAMB DETAIL - 2100 CASEMENT WINDOW (W/ ANCHOR STRAP)

J1




SILL DETAIL - 2100 CASEMENT WINDOW (W/ RIGID NAIL FIN)

S1

*** NOTE:**

- ALL DRAWINGS ARE FOR REFERENCE PURPOSES ONLY
- ACTUAL INSTALLATION, FASTENERS, ETC. MAY VARY
- AVB & SEALANT BY OTHER, PER LOCAL & INTERNATIONAL BUILDING CODES
- ALL INSTALLATION SCREWS GOING INTO R.O. ARE BY OTHER
- ALL SHIMS ARE BY OTHER

SEE PRODUCT SPECIFICATIONS PAGE FOR COMPLETE PRODUCT DESCRIPTION.

SERIES/CONFIGURATION: 2100 SERIES CASEMENT		 COMFORT LINE LTD. 5500 ENTERPRISE BLVD. TOLEDO, OH 43612 419-729-8520
DRAWING TYPE: INSTALLATION EXAMPLES		
THIS DRAWING IS THE PROPERTY OF COMFORT LINE LTD. DESIGN CONCEPTS AND INFORMATION MAY NOT BE REPRODUCED USED OR DISCLOSED WITHOUT THE WRITTEN PERMISSION OF COMFORT LINE LTD.		
PROJECT:		2100 CASEMENT
SCALE:	6" = 1' - 0"	QUOTE: #####
DATE:	2/13/17	SHEET: CA5
DATE	REVISION	BY
		DRAWN BY: AJL

2100 SERIES CASEMENT

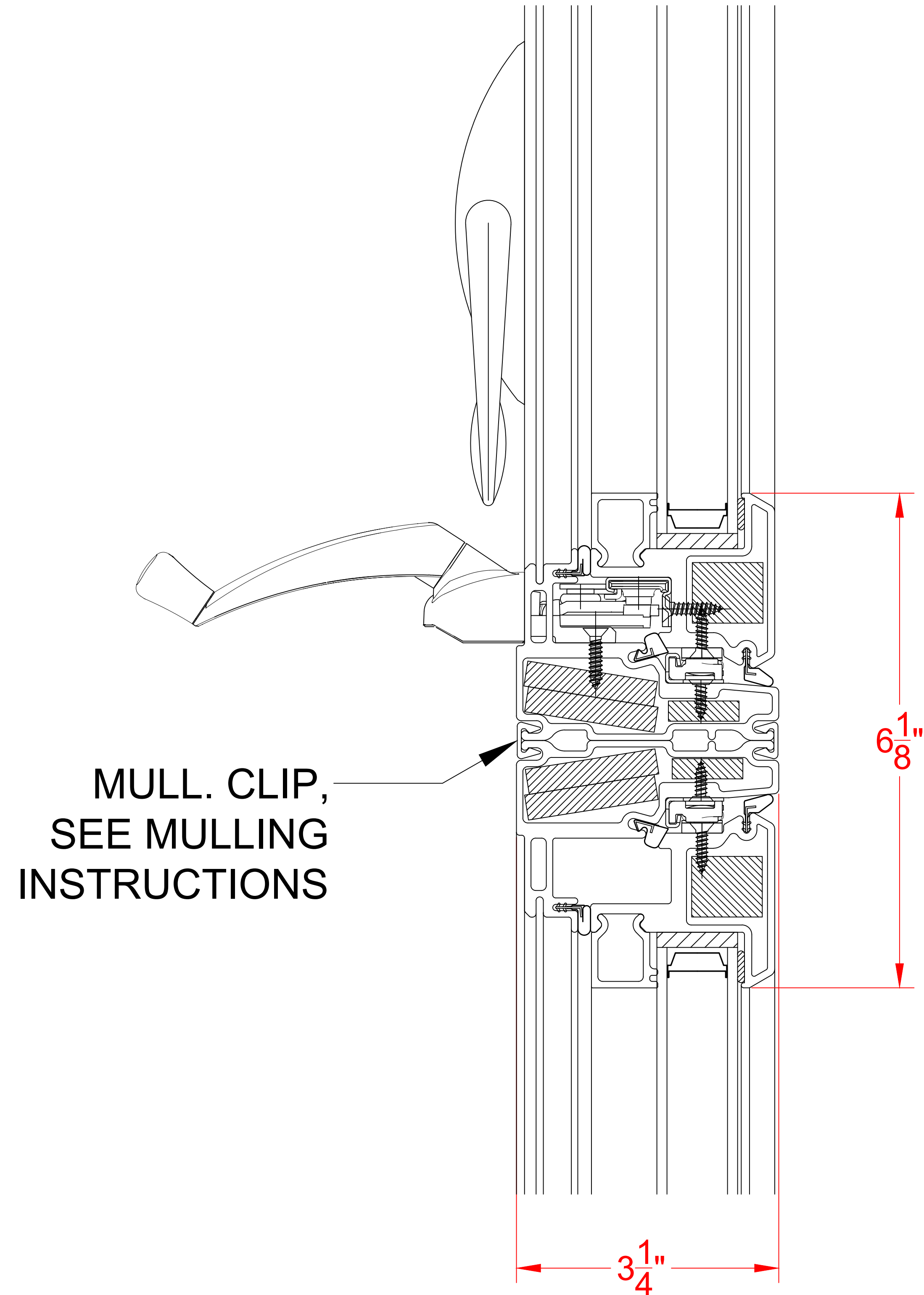
(MULLING DETAIL)

MULLING OPTIONS INCLUDE:

2100 SERIES

6500 SERIES

8000 SERIES



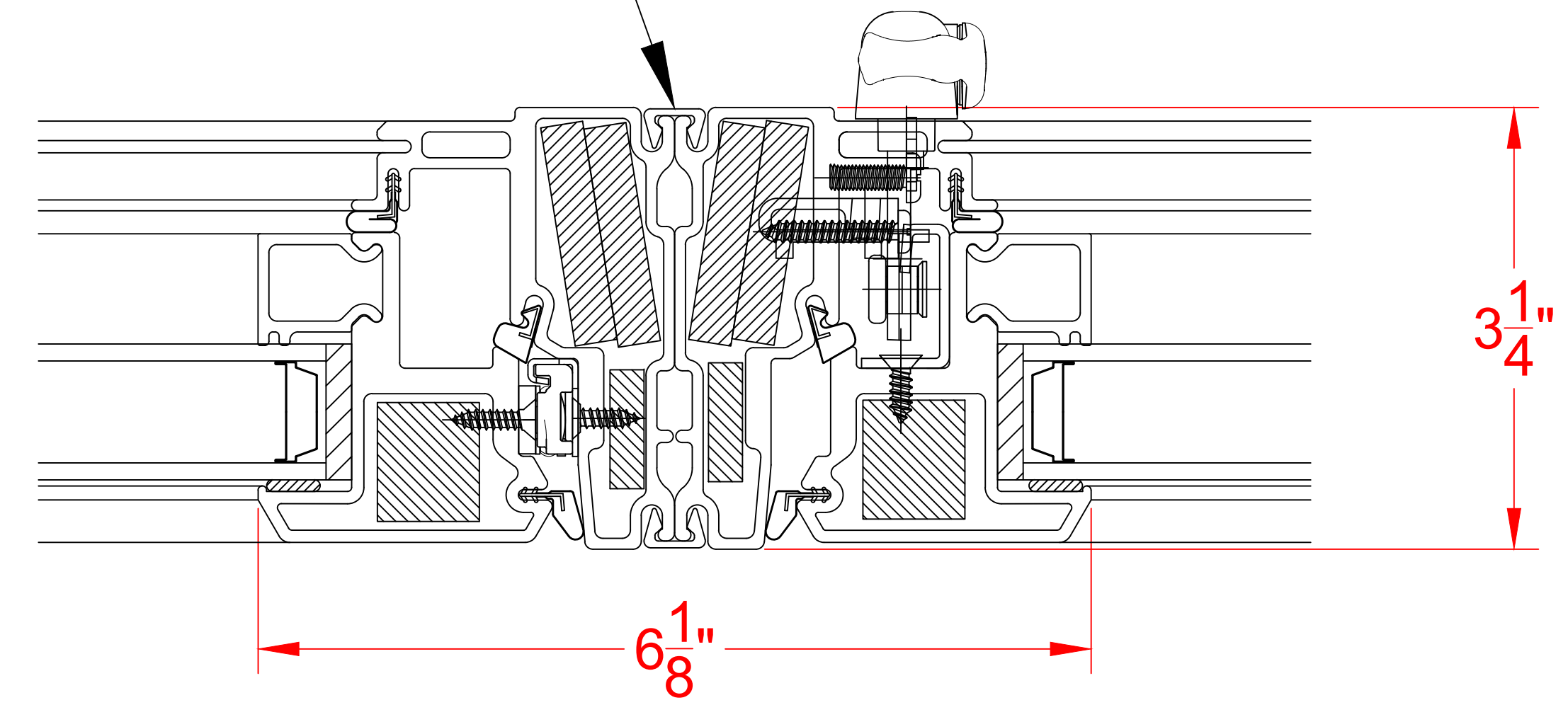
MULL. CLIP,
SEE MULLING
INSTRUCTIONS

6 1/8"

3 1/4"

MULL. DETAIL - CASEMENT / CASEMENT - TYP.
HORIZONTAL MULLS

MULL. CLIP,
SEE MULLING
INSTRUCTIONS




3 1/4"

6 1/8"

MULL. DETAIL - CASEMENT / CASEMENT - TYP.
VERTICAL MULLS

SEE PRODUCT SPECIFICATIONS PAGE FOR COMPLETE PRODUCT DESCRIPTION.

SERIES/CONFIGURATION: 2100 SERIES CASEMENT		 FiberFrame [™] Comfort Line [®] <small>FIBERGLASS WINDOWS, PATIO DOORS, SUNROOMS & STOREFRONT</small>	COMFORT LINE LTD. 5500 ENTERPRISE BLVD. TOLEDO, OH 43612 419-729-8520	
DRAWING TYPE: MULLING SECTION DETAIL			THIS DRAWING IS THE PROPERTY OF COMFORT LINE LTD. DESIGN CONCEPTS AND INFORMATION MAY NOT BE REPRODUCED USED OR DISCLOSED WITHOUT THE WRITTEN PERMISSION OF COMFORT LINE LTD.	
		PROJECT: 2100 CASEMENT		
		SCALE: 1' - 0" = 1' - 0"		
		DATE: 2/13/17		
DATE	REVISION	BY	DRAWN BY: AJL QUOTE: ##### SHEET: CA6	