

TEMPORARY CLASSROOM SHELTER

DETROIT WALDORF SCHOOL

09/04/2020

KraemerDesignGroup
1420 Broadway | Detroit, MI 48226 | p-313 965 3399 | f-313 965 3555
www.thekraemeredge.com

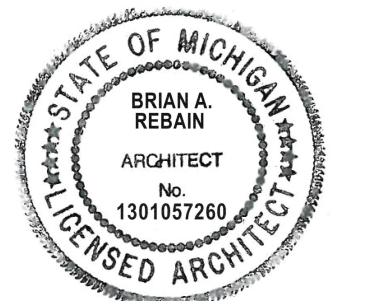
Architect

Consultant

TEMPORARY OUTDOOR CLASSROOM SHELTER
2555 BURNS
DETROIT, MI

DETROIT WALDORF SCHOOL
2555 BURNS
DETROIT, MI

Project / Owner



Seal

THIS DOCUMENT AND THE IDEAS AND DESIGNS INCORPORATED HEREIN, AS AN INSTRUMENT OF PROFESSIONAL SERVICE, ARE THE PROPERTY OF KRAEMER DESIGN GROUP, LLC AND ARE NOT TO BE USED IN WHOLE OR IN PART FOR ANY REASON WITHOUT THE WRITTEN AUTHORIZATION OF KRAEMER DESIGN GROUP, LLC.

©COPYRIGHT 2020 KRAEMER DESIGN GROUP, LLC

FOR PERMIT 09/04/20
Revision Date
Date 09/04/20

Sheet Title
COVER

Sheet Number

COVER

PROJECT INFORMATION

PROJECT LOCATION: 2555 BURNS
DETROIT, MI 48214

OWNER: DETROIT WALDORF SCHOOL
2555 BURNS
DETROIT, MI 48214

ARCHITECT OF RECORD: KRAEMER DESIGN GROUP, LLC
BRIAN REBAIN, RA, NCARB
STATE OF MICHIGAN CERTIFICATE NO. 1301040246
1420 BROADWAY
DETROIT, MI 48226
www.thekraemeredge.com
(313) 965-3399

STRUCTURAL ENGINEER: RESURGET
MARC STEINHOBEL
4219 WOODWARD AVE
SUITE 306
DETROIT, MI 48201

CODE SUMMARY

PROJECT DESCRIPTION: EMERGENCY ERECTION OF TEMPORARY OUTDOOR WOOD CLASSROOM SHELTERS TO SERVE THE SCHOOL DURING THE COVID PANDEMIC, THERE ARE 14 PROPOSED SHELTERS. TEN MEASURE 20'X20', AND FOUR MEASURE 12'X12'. THE SHELTERS ARE SPACED THROUGHOUT THE SCHOOL GROUNDS TO ALLOW FOR EFFECTIVE PHYSICAL DISTANCING BETWEEN THE CLASSROOMS, WHILE ALSO PROVIDING GOOD LOCATIONS FOR OVERSIGHT OF THE STUDENTS AS WELL AS MAINTAIN EXISTING PLAYFIELD LOCATIONS. TWELVE SHELTERS ARE LOCATED ON LOTS IN THE INDIAN VILLAGE HISTORIC DISTRICT CURRENTLY ZONED R1 AND APPROVED FOR EDUCATIONAL USE. TWO SHELTERS ARE LOCATED ON LOTS ADJACENT TO THE IV-HD ON FISCHER ST, CURRENTLY ZONED R2.

ZONING: R1-H; R2 - SEE ATTACHED SITE PLAN

ZONING ORDINANCE SUMMARY: SHELTERS ARE BEING PROPOSED AS TEMPORARY ACCESSORY STRUCTURES TO THE PRIMARY SCHOOL FUNCTIONS AT THE MAIN BUILDING LOCATED AT 2555 BURNS, AT THE CORNER OF CHARLEVOIX AND BURNS ST. THE OWNER IS SEEKING TEMPORARY APPROVAL TO USE THESE STRUCTURES AS PART OF THEIR IN-SCHOOL LEARNING COVID PREPAREDNESS PLAN. APPROVAL IS BEING SOUGHT PURSUANT TO THE REQUIREMENTS OF THE FOLLOWING SECTIONS OF THE CITY OF DETROIT ZONING ORDINANCE:

Sec. 50-12-553. - Natural disasters and emergencies.
Temporary uses and structures needed as the result of a natural disaster or other health and safety emergencies are allowed for the duration of the emergency.

FURTHERMORE:
Sec. 50-12-559. - Other uses.
The Buildings, Safety Engineering, and Environmental Department may approve other temporary uses and activities or special events where it is determined that such uses would not jeopardize the health, safety or general welfare, or be injurious or detrimental to properties adjacent to, or in the vicinity of, the proposed location of the activity.

OCCUPANCY CLASSIFICATION: EDUCATIONAL (ACCESSORY USE)

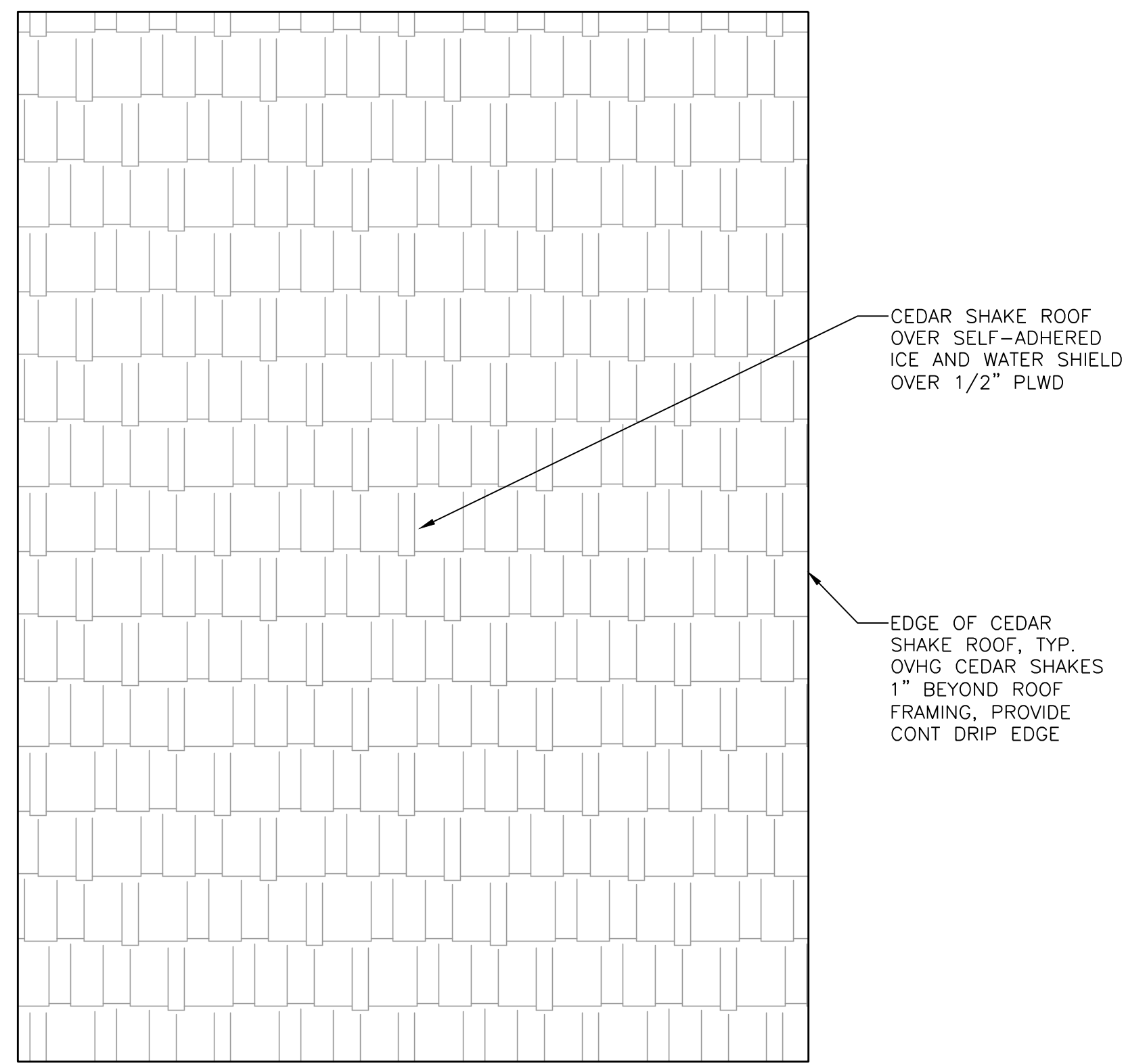
CONSTRUCTION TYPE: OUTDOOR WOOD SHADE STRUCTURE

APPLICABLE CODES: BUILDING: MICHIGAN BUILDING CODE (MBC) 2015

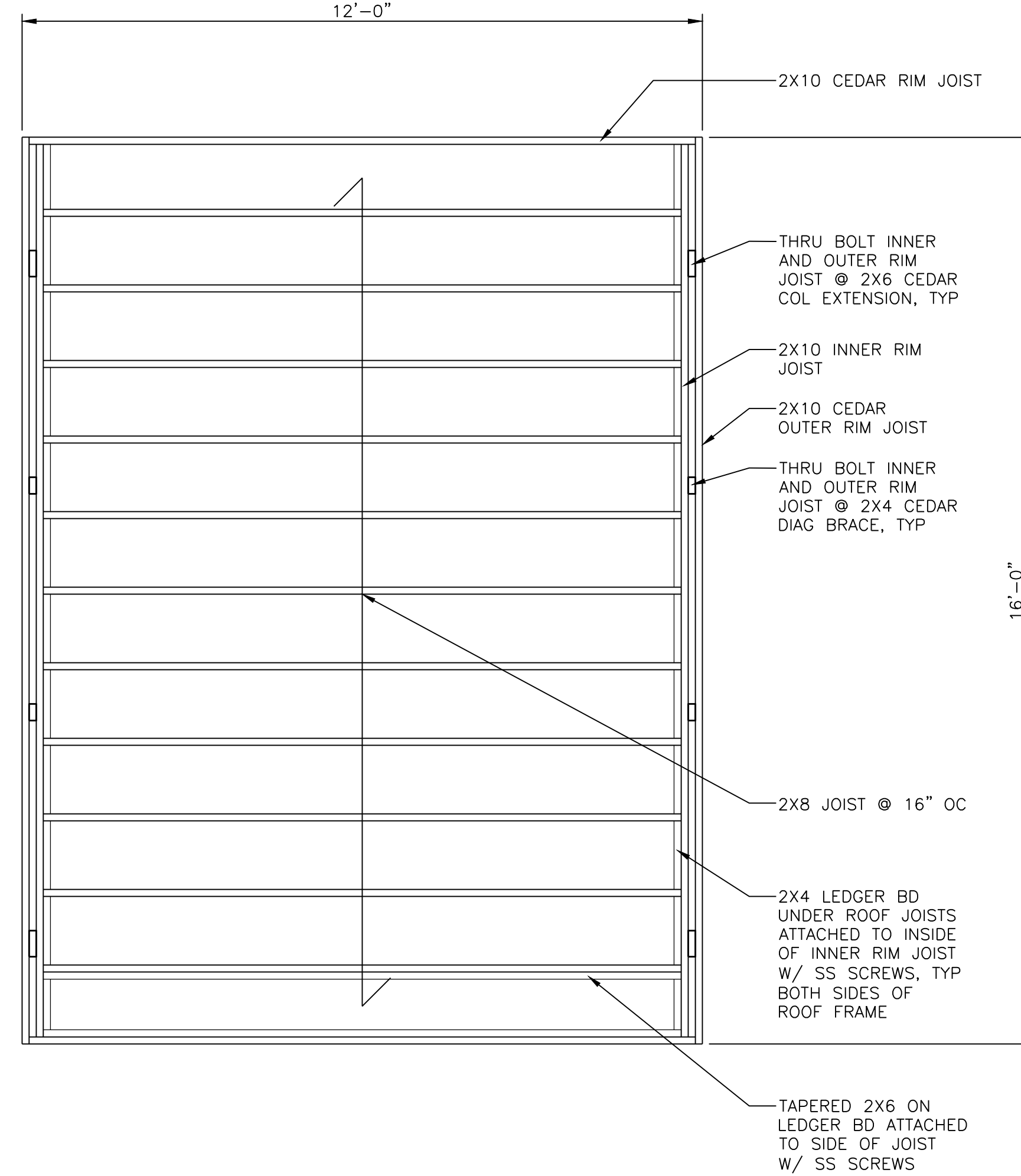
SITE PLAN



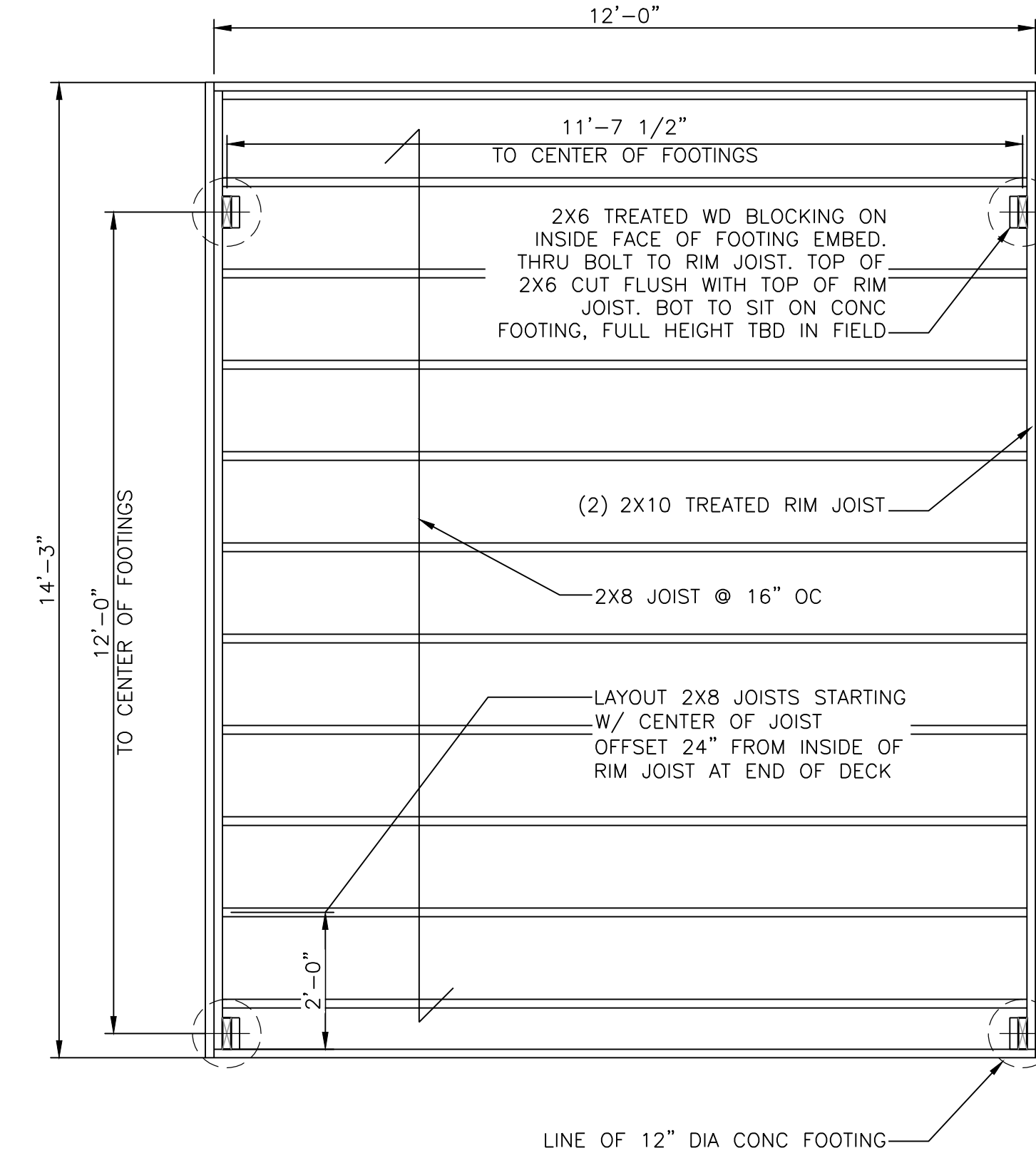
PLOTTED ON 9/4/2020 3:53 PM | PLOTTED BY BRIAN REBAIN



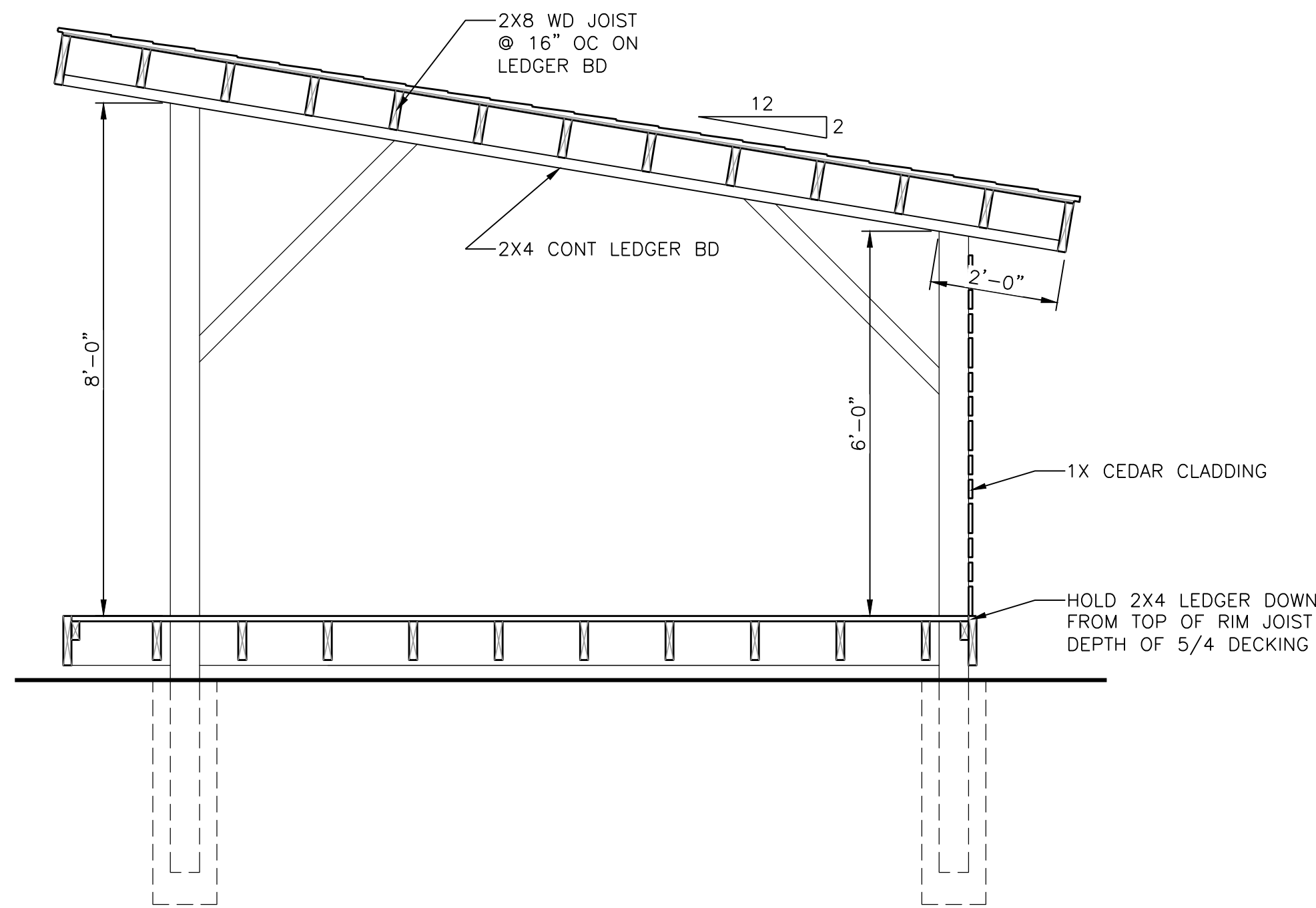
ROOF PLAN
SCALE: 1/2"=1'-0"



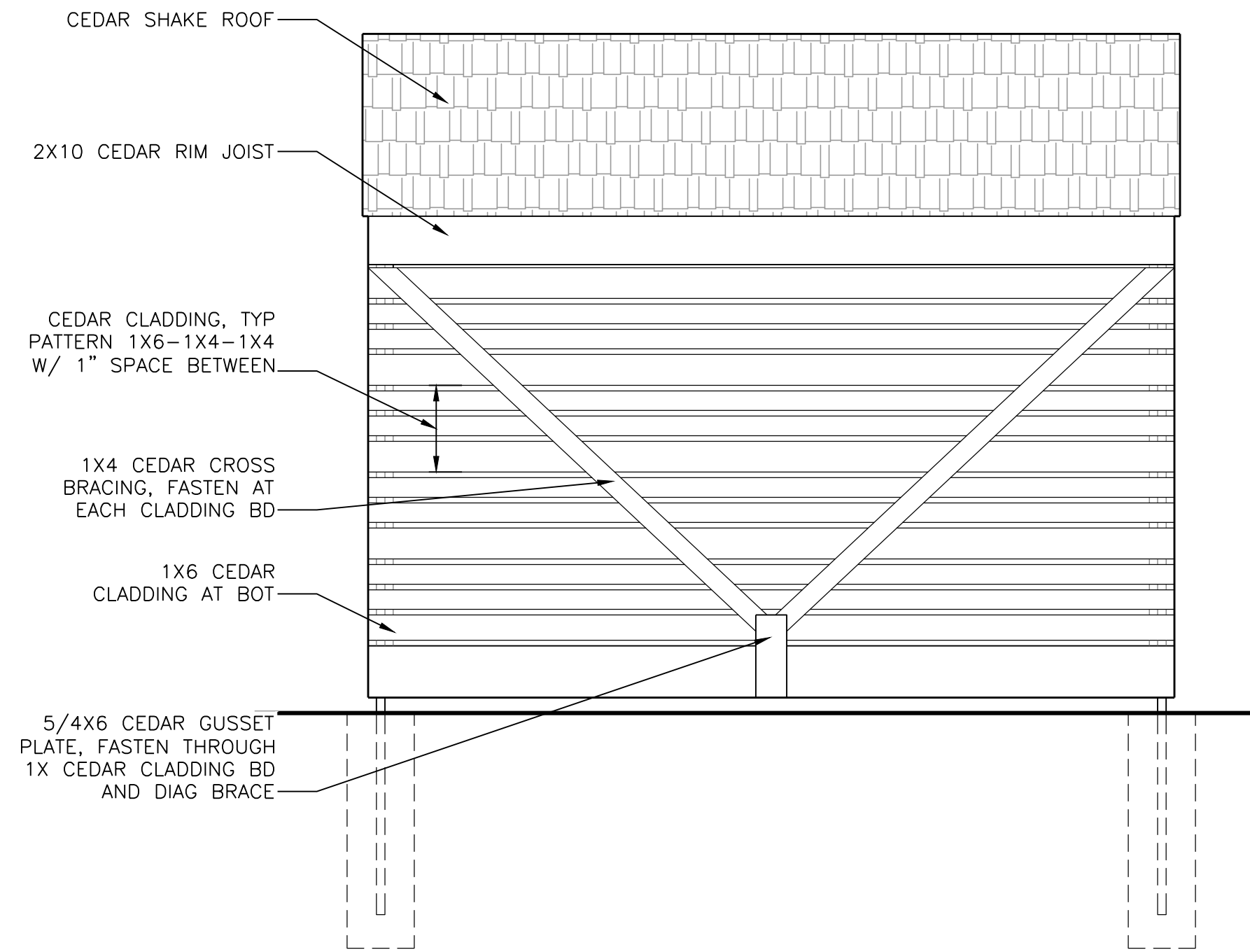
ROOF FRAMING PLAN
SCALE: 1/2"=1'-0"



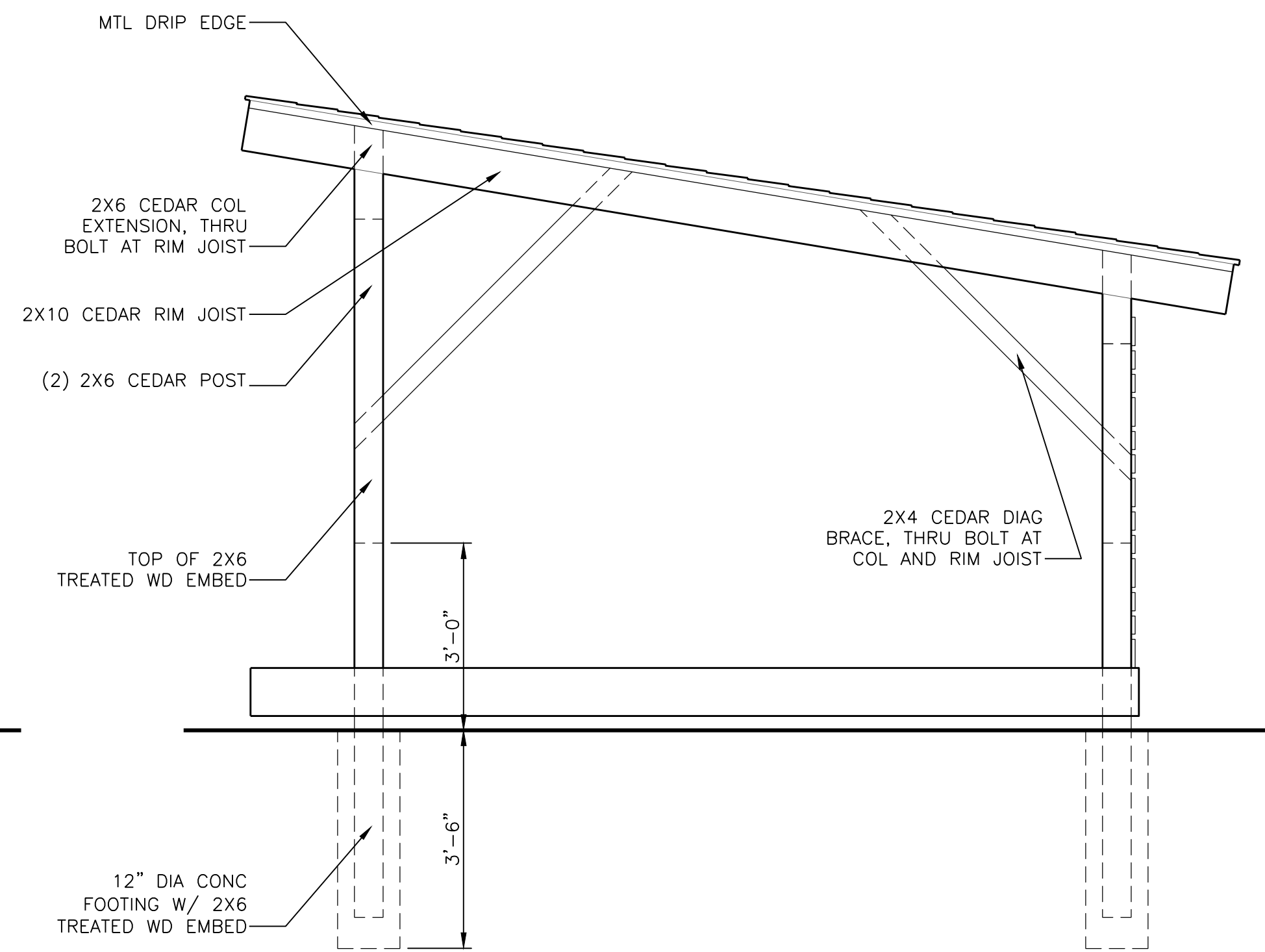
FLOOR FRAMING PLAN
SCALE: 1/2"=1'-0"



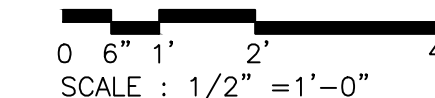
SHELTER SECTION
SCALE: 1/2"=1'-0"



REAR ELEVATION
SCALE: 1/2"=1'-0"



SIDE ELEVATION
SCALE: 1/2"=1'-0"



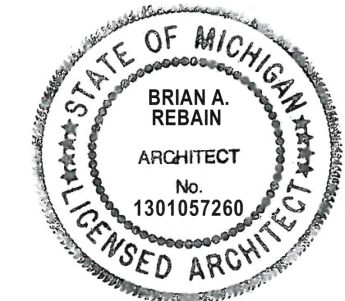
KraemerDesignGroup
1400 Broadway | Detroit, MI 48226 | p 313 962 3399 | f 313 962 3555
www.kraemerdg.com

Architect

Consultant

DETROIT WALDORF
2555 BURNS
DETROIT, MI

Project / Owner



Seal

THIS DOCUMENT AND THE IDEAS AND DESIGNS INCORPORATED HEREIN, AS AN INSTRUMENT OF PROFESSIONAL SERVICE, ARE THE PROPERTY OF KRAEMER DESIGN GROUP, LLC AND ARE NOT TO BE USED IN WHOLE OR IN PART FOR ANY REASON WITHOUT THE WRITTEN AUTHORIZATION OF KRAEMER DESIGN GROUP, LLC.

©COPYRIGHT 2020 KRAEMER DESIGN GROUP, LLC

FOR PERMIT 09/04/20
Revision Date

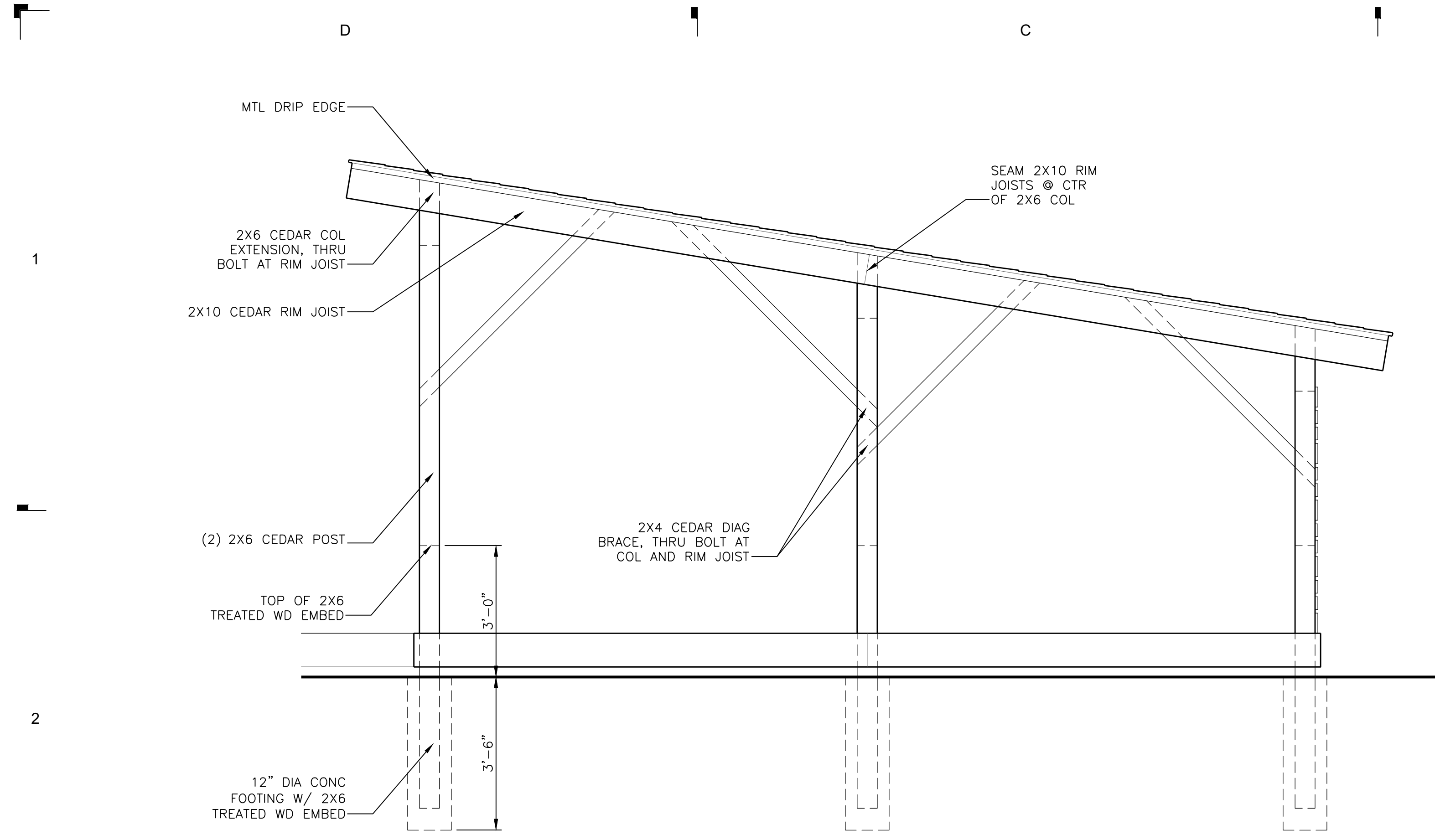
Date

Sheet Title
**12X12 SHELTER
PLANS, ELEVS AND
SECTION**

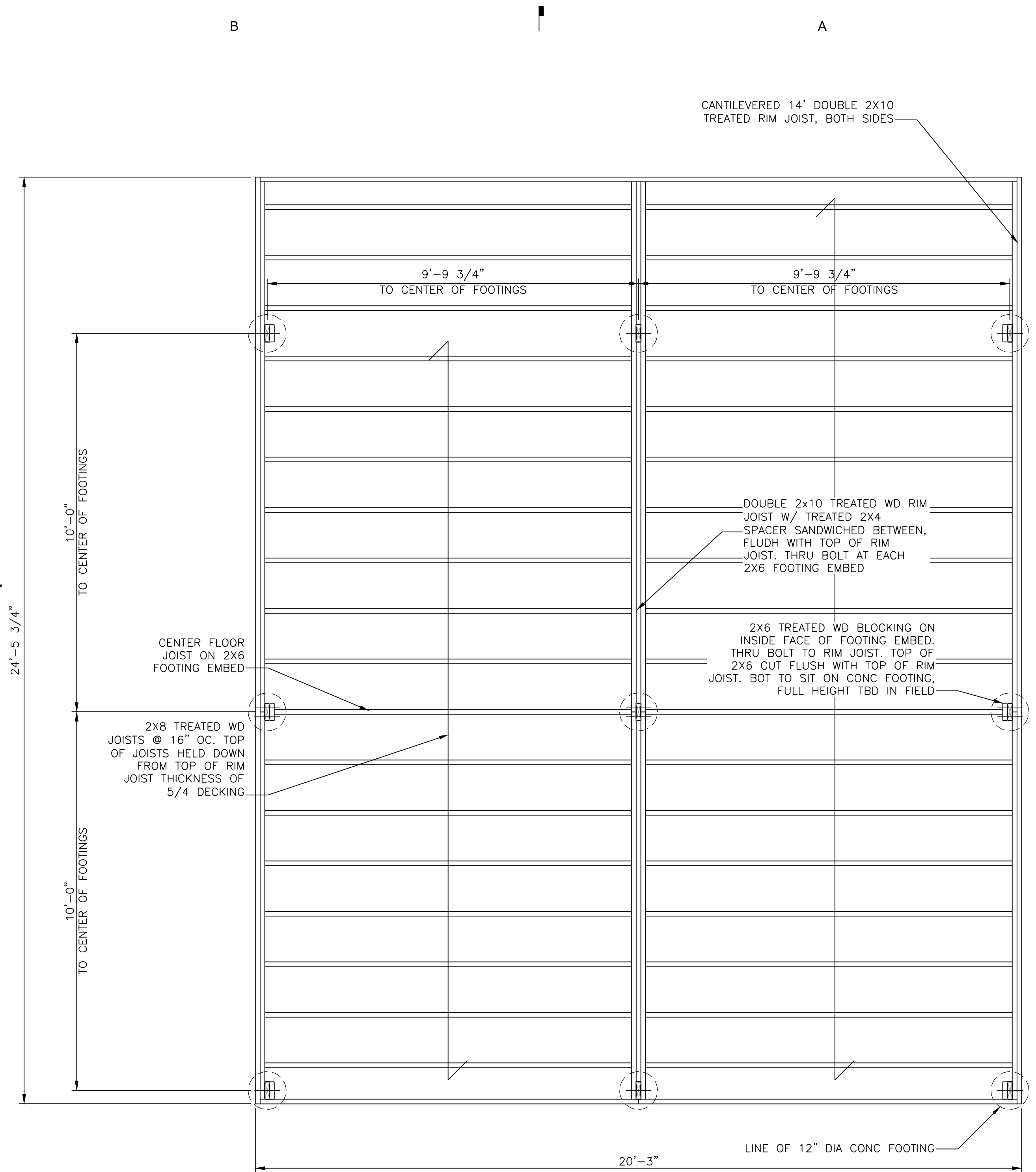
Sheet Number

A1

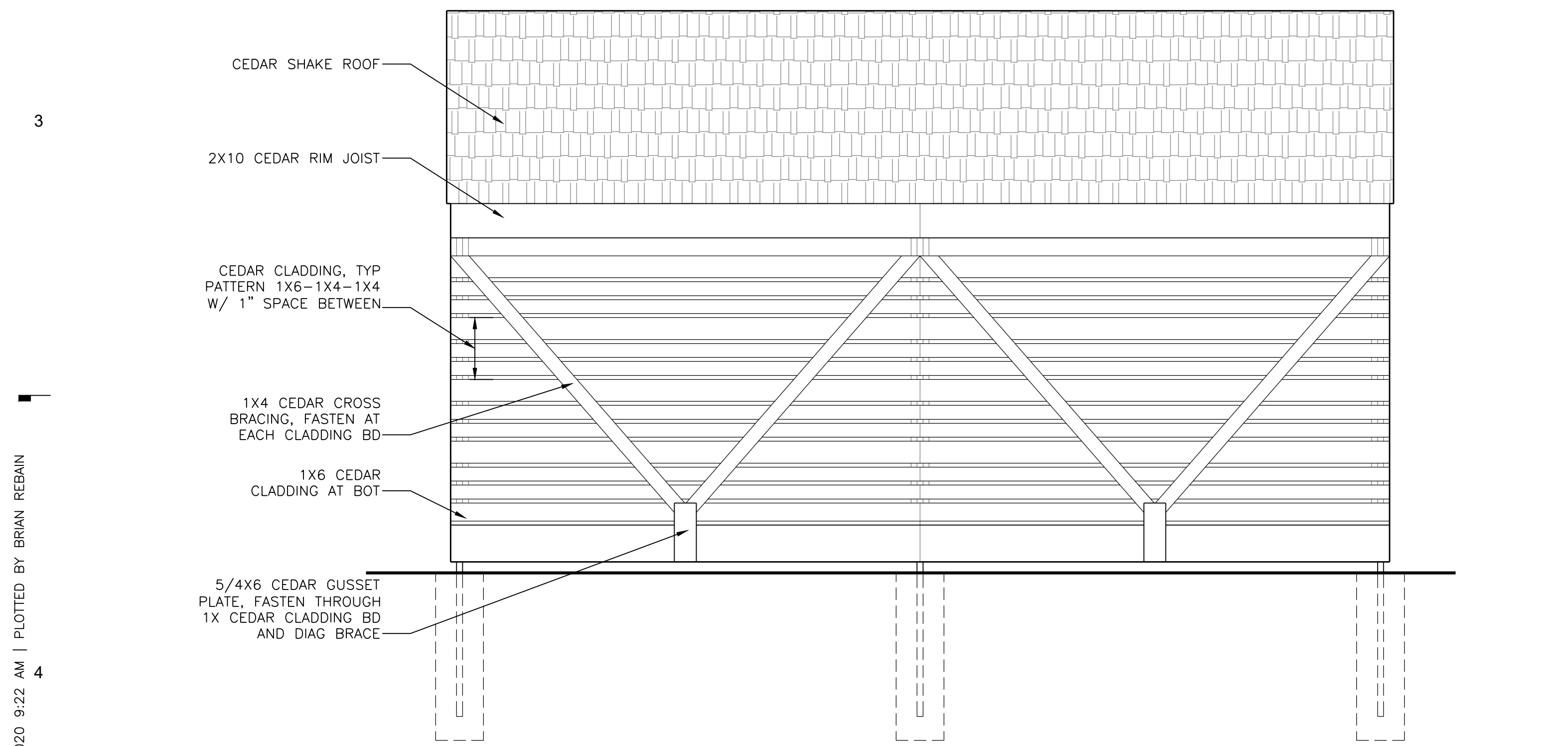
PLOTTED ON 9/11/2020 9:21 AM | PLOTTED BY BRIAN REBIN



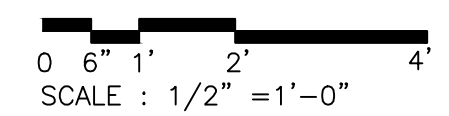
SIDE ELEVATION
SCALE: 1/2"=1'-0"



FLOOR FRAMING PLAN
SCALE: 1/2"=1'-0"



REAR ELEVATION
SCALE: 1/2"=1'-0"



KraemerDesignGroup
1400 Broadway | Detroit, MI 48226 | p-313-962-3399 | f-313-962-3555
www.kraemerdsg.com

Architect

Consultant

DETROIT WALDORF
2555 BURNS
DETROIT, MI

Project / Owner



Seal

THIS DOCUMENT AND THE IDEAS AND DESIGNS INCORPORATED HEREIN, AS AN INSTRUMENT OF PROFESSIONAL SERVICE, ARE THE PROPERTY OF KRAEMER DESIGN GROUP, LLC AND ARE NOT TO BE USED IN WHOLE OR IN PART FOR ANY REASON WITHOUT THE WRITTEN AUTHORIZATION OF KRAEMER DESIGN GROUP, LLC.

©COPYRIGHT 2020 KRAEMER DESIGN GROUP, LLC

FOR PERMIT 09/04/20
Revision Date

Date

Sheet Title
**20X20 SHELTER
PLANS AND ELEVS**

Sheet Number

A2

PLOTTED ON 9/11/2020 9:22 AM | PLOTTED BY BRIAN REBIN



THIS DOCUMENT AND THE IDEAS AND DESIGNS INCORPORATED HEREIN, AS AN INSTRUMENT OF PROFESSIONAL SERVICE, ARE THE PROPERTY OF KRAEMER DESIGN GROUP, LLC AND ARE NOT TO BE USED IN WHOLE OR IN PART FOR ANY REASON WITHOUT THE WRITTEN AUTHORIZATION OF KRAEMER DESIGN GROUP, LLC.

©COPYRIGHT 2020 KRAEMER DESIGN GROUP, LLC

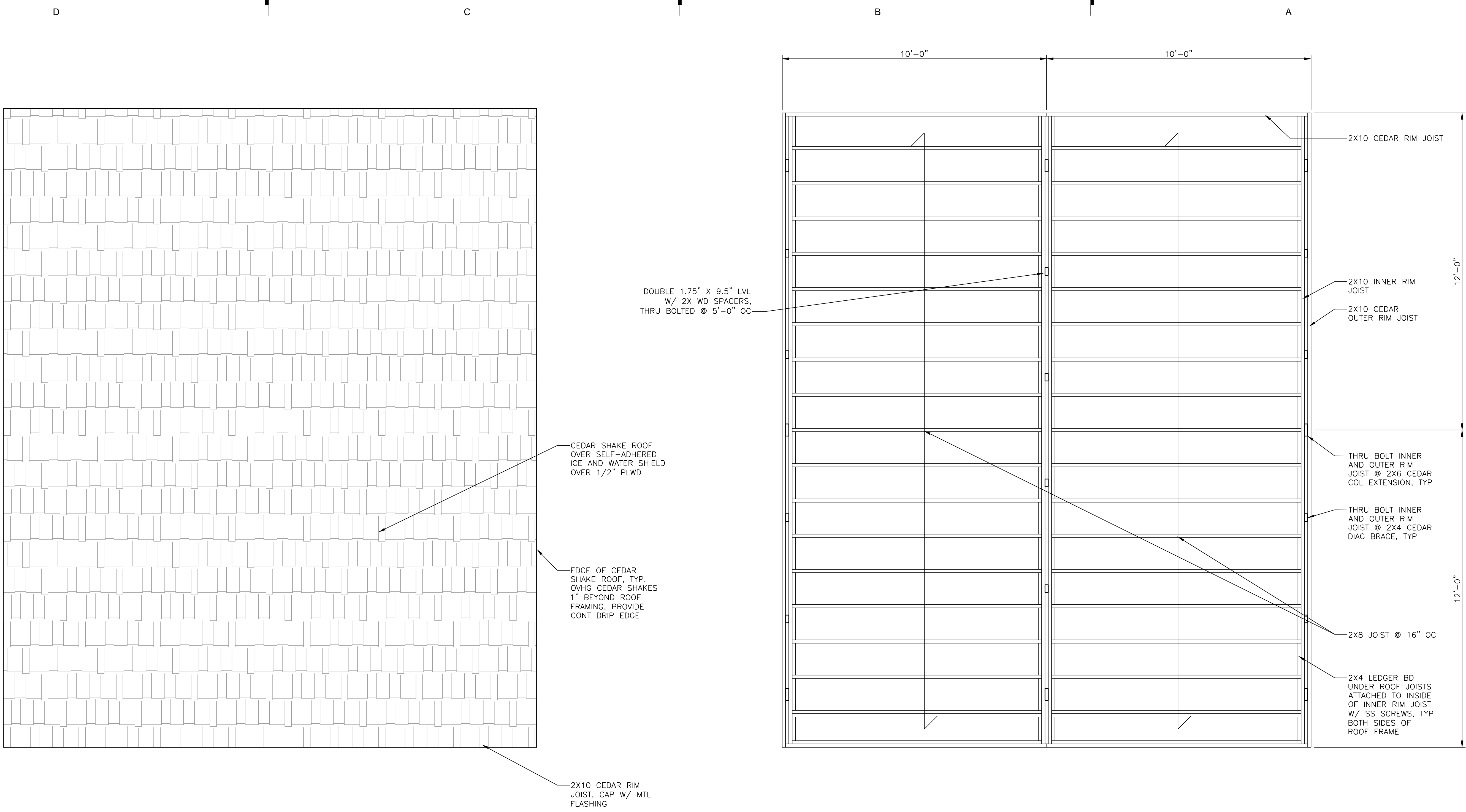
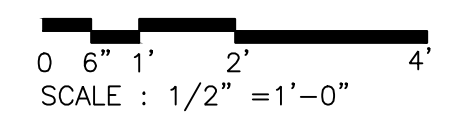
FOR PERMIT	09/04/20
Revision	Date

Date

Sheet Title
**20X20 SHELTER ROOF
 PLANS AND TYP
 GUTTER DETAIL**

Sheet Number

A3



ROOF PLAN
 SCALE: 1/2"=1'-0"

ROOF FRAMING PLAN
 SCALE: 1/2"=1'-0"

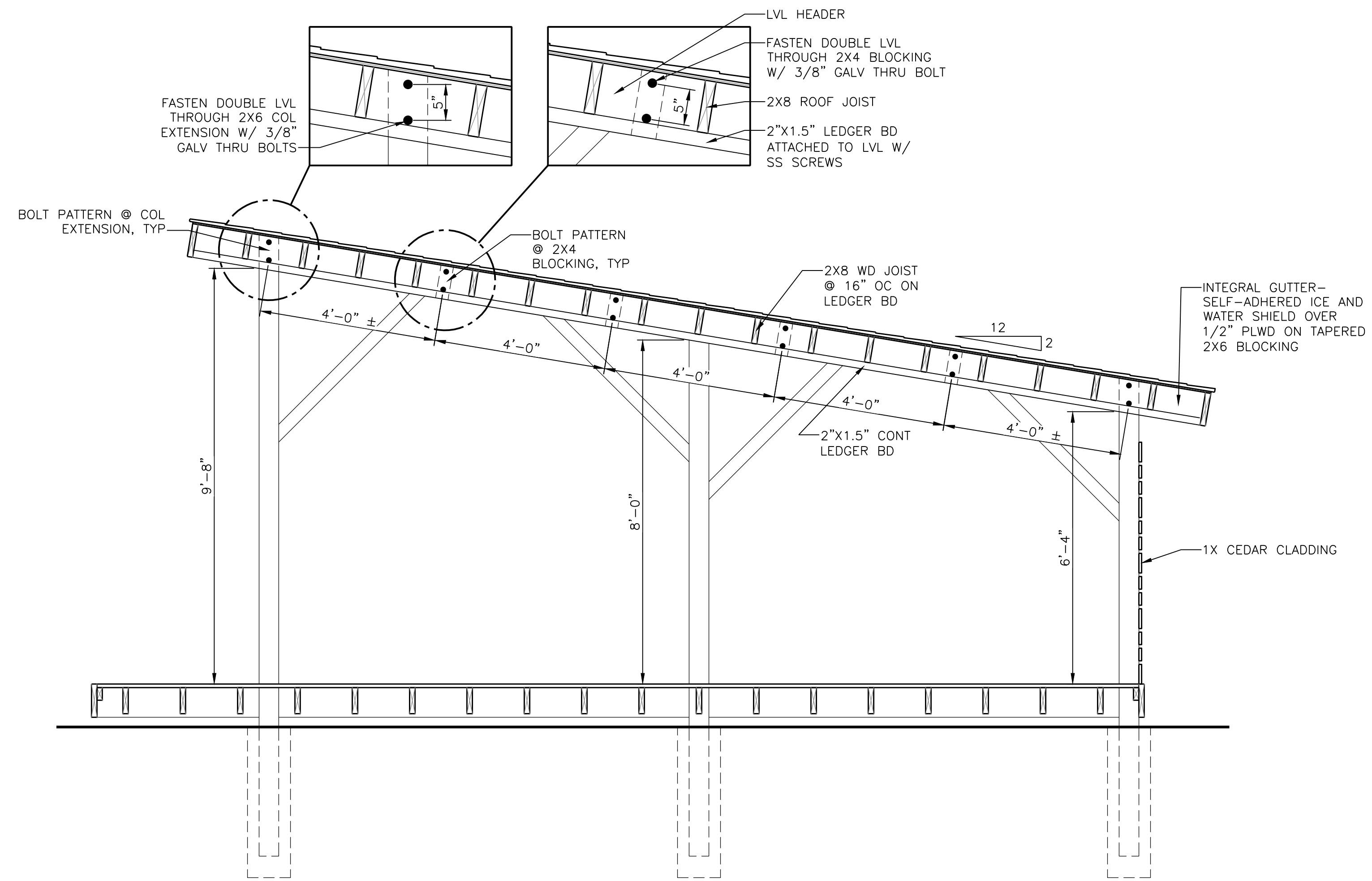
PLOTTED ON 9/11/2020 9:22 AM | PLOTTED BY BRIAN REBIN

D

C

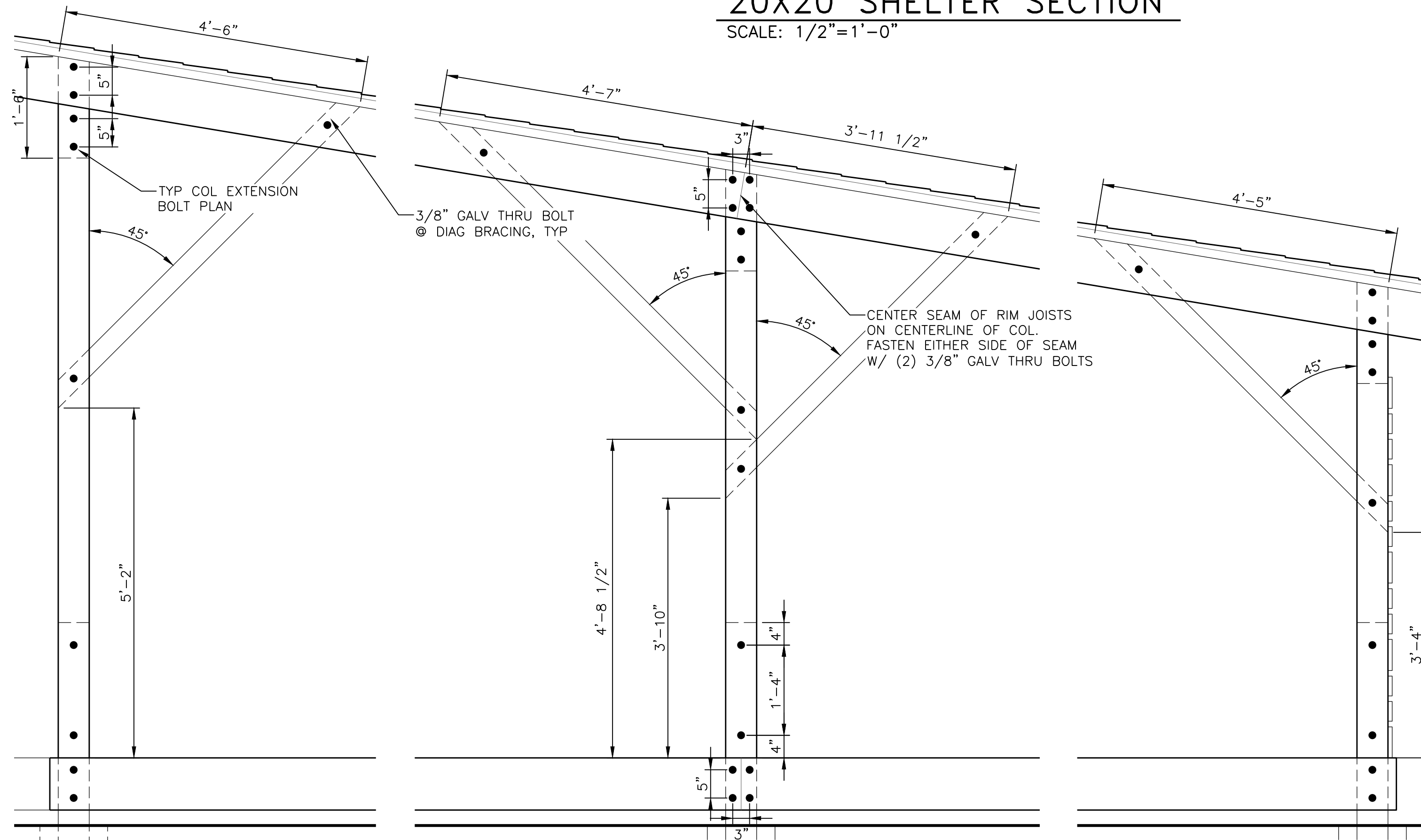
B

A



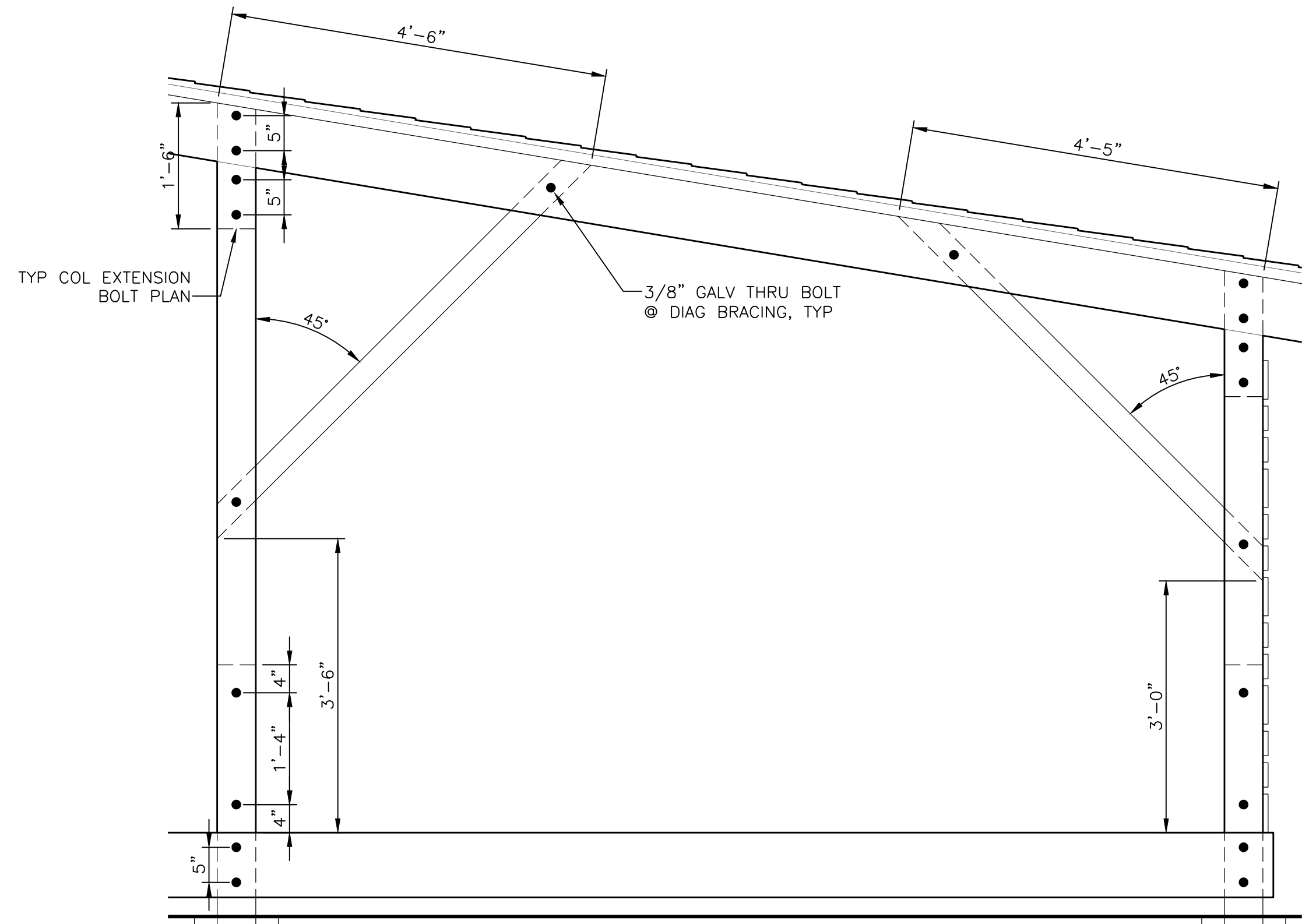
20X20 SHELTER SECTION

SCALE: 1/2"=1'-0"



20X20 COL BOLT PLAN

SCALE: 3/4"=1'-0"



12X12 COL BOLT PLAN

SCALE: 3/4"=1'-0"

KraemerDesignGroup
 1400 Broadway | Detroit, MI 48226 | P: 313.962.3399 | F: 313.962.3555
 www.kraemerdesigngroup.com

Architect

Consultant

DETROIT WALDORF
 2555 BURNS
 DETROIT, MI

Project / Owner



Seal

THIS DOCUMENT AND THE IDEAS AND DESIGNS INCORPORATED HEREIN, AS AN INSTRUMENT OF PROFESSIONAL SERVICE, ARE THE PROPERTY OF KRAEMER DESIGN GROUP, LLC AND ARE NOT TO BE USED IN WHOLE OR IN PART FOR ANY REASON WITHOUT THE WRITTEN AUTHORIZATION OF KRAEMER DESIGN GROUP, LLC.

©COPYRIGHT 2020 KRAEMER DESIGN GROUP, LLC

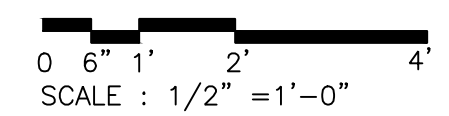
FOR PERMIT _____ 09/04/20
 Revision _____ Date _____

Date

Sheet Title
**COLUMN BOLT PLANS
 AND STRUCTURAL
 CALCS**

Sheet Number

A4



PLOTTED ON 9/11/2020 9:23 AM | PLOTTED BY BRIAN REBIN