



Finishes You've Never Seen Before®

WESTERN STATES METAL ROOFING

(877) 787-5467 • WESTERNSTATESMETALROOFING.COM

T-REVEAL® PANEL

INSTALLATION GUIDE WITH TRIM, FLASHINGS AND DETAILS

Phoenix: 901 W Watkins St., Phoenix, AZ 85007
☎ (602) 495-0048
✉ sales@westernstatesmetalroofing.com

Tucson: 4975 E. Drexel Rd., Tucson, AZ 85706
☎ (520) 574-4247
✉ tucsonsales@westernstatesmetalroofing.com



Western States “T-Reveal ®” Wall and Soffit Panels

Installation, Flashings & Shop Drawing Detail Guide

Table of Contents

Section	Page	Section	Page
Notes to Designer /Installers.....	1	Custom Inside Corner Detail.....	29
Fastener Placement and Selection.....	2-3	Soffit to Wall Horizontal Detail	30
T-Reveal Panel Options.....	4-10	Parapet Wall Horizontal Detail.....	31
Key Flashing / Trims.....	11-12	Splice /Sill Horizontal Detail	32
Soffit End Splice Detail.....	13	Base Horizontal Detail.....	33
Wall Splice Detail.....	14	Window/ Door Head Horizontal Detail.....	34
Soffit End Wall Detail.....	15	Window/ Door Jamb Horizontal Detail.....	35
Alternate Soffit End wall.....	16	Window/Door Sill Horizontal Detail.....	36
Soffit to Wall Drip Detail.....	17	Outside corner Horizontal Detail.....	37
Horizontal Siding End Wall Detail.....	18	Inside Corner Horizontal Detail.....	38
Vertical Siding End Wall Detail.....	19	Notes.....	39
Parapet Wall Detail.....	20	Custom Trim.....	40
Splice/ Sill Detail.....	21	Design Considerations.....	41
Base Detail.....	22		
Door / Window Head Detail.....	23		
Door / Window Jamb Detail.....	24		
Door / Window Sill Detail.....	25		
Outside Corner Detail.....	26		
Inside Corner Detail.....	27		
Custom Outside Corner Detail.....	28		

Western States “T-Reveal ®” Panel

Installation, Flashings & Shop Drawing Detail Guide

Notes to Designer and Installers

The details contained in this guide are proven industry details and are intended to be used as a design aid and installation guide. It does not depict all situations that may be encountered on all projects. Modifications are the responsibility of the designer/ owner/ installer. Consideration should be given for Fit for Purpose, Building use, Climate conditions such as temperature, snow, wind, and moisture, Governing Building Codes, and Maintenance. It is highly recommended that all trims and flashings be of the same material as the panels (metal, gauge, finish) to ensure long term performance and durability. Where possible, flashing edges should be hemmed to strengthen the edge and protect the cut edge from exposure.

Framing and Substrates

“T-Reveal ®” panels are used over all type of substrates like Steel Framing, girts, spaced sheathing, and wood surface such as plywood. Most details in this guide are shown with panels attached to Solid Wood Decking.

Note on Underlayment

Not all conditions require an underlayment, However metal siding is susceptible to Condensation and it is recommended that an appropriate underlayment be use on all wood substrates to protect the structure during installation. For added protection from rain and snow, it is recommended to use rubberized Ice and water shield.

Technical Assistance

Contact your WSDI sales or technical representative for any additional information or assistance.

Oil Canning

Oil canning is a condition common with flat metal surfaces. This waviness is caused by steel mill tolerances, forming, variations in the structures surfaces, and hardness of the steel. Measures are taken at the roll forming process, like profile design, steel gauge, corrective leveling, to minimize the effects of oil canning. Oil Canning is a Characteristic of steel and can not be eliminated totally and therefore is not reason for rejection of the panels.

Job Site Storage

While waiting to be installed on the job site, Storage of panels, trim crates, and flat sheet should be sloped in order to allow for proper moisture run off. One end should be elevated so as not to allow ponding of water on the metal surface. When using tarps for protection, proper ventilation should be provided to prevent condensation. Moisture or condensation that is trapped inside a bundle can lead to white rust on sheeting.

References

For other installation techniques and details, The Sheet Metal and Air Conditioning Contractors National Association Inc. (SMACNA) and NRCA manuals are great resource for working with sheet metal.

Western States Metal Siding "T-Reveal" ® Panel

Installation, Flashings & Shop Drawing Detail Guide

Fastener Selection

Notes to Installers:

Fastener Selection will vary depending on type and thickness of substrate.

Design Calculations for fastener spacing should be completed by the design engineer.

The use of Butyl tape mastic, Butyl sealants and Curing Sealants is always recommended to insure weather tight installation.

Panels and flashings should never be installed in contact with dissimilar metals.

Use only those flashings and accessories designed for use with this panel.

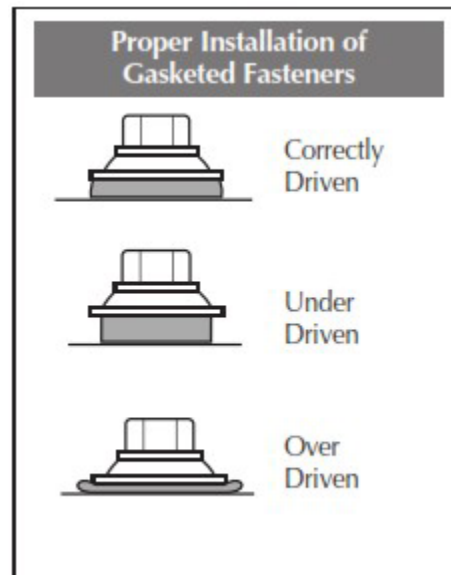
Attachment screws must be long enough to fully penetrate through roof deck substrate or penetrate solid lumber at least one inch.

Exposed Trim Fasteners should have sealing washers and be coated to provide protection against corrosion.

Screws must be properly driven to ensure holding strength and proper seal. (see diagram)

Recommended drill speed is 2000rpm. Improper setting of drill speed can lead to snapping of screw heads.

Pre drilling of screw holes may be necessary with heavy gauge metals.



Western States Metal Siding "T-Reveal" ® Panel

Installation, Flashings & Shop Drawing Detail Guide

Fastener Selection

Description

Application

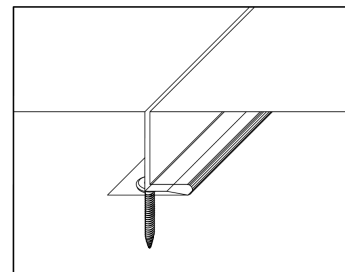
14 x 7/8" Lap Self tap
14 x 7/8 Lap Stainless

Used to attach Trims .
Stainless to be used with
A606-4 Steel



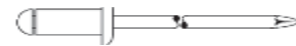
#10-12 x1" Pancake head
Wood
#10-12 x 1" SD PH Self Driller
Steel

Used to attach Panel.
Used to secure trims to
substrates. Also available in
Stainless Steel.

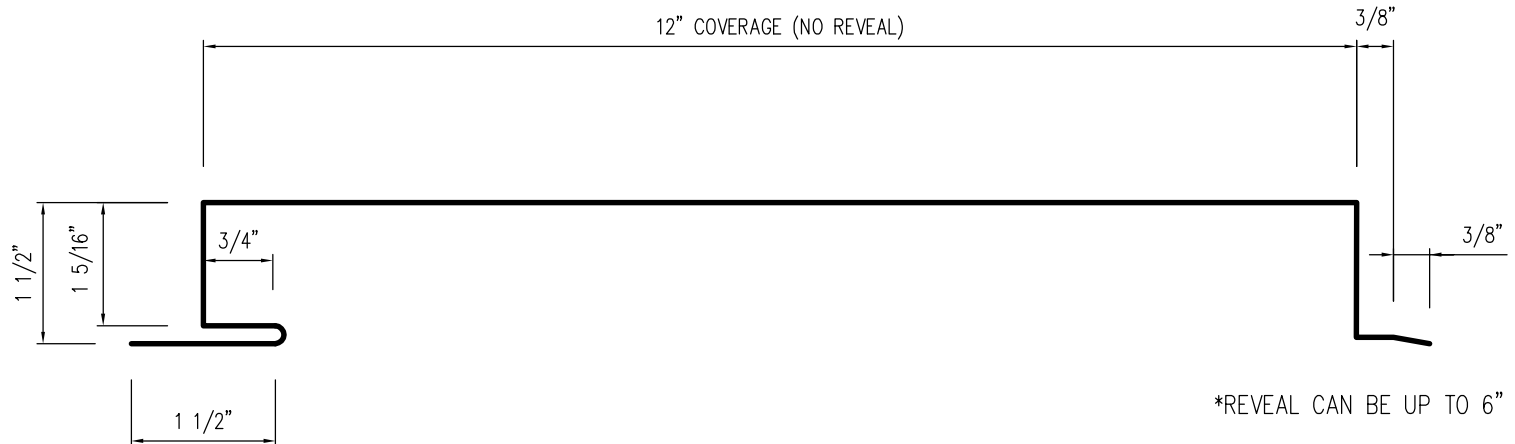
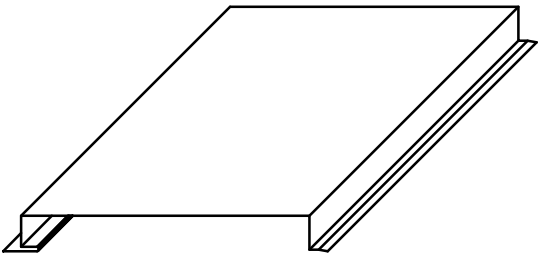


1/8" Stainless Rivets

Used for Trim to Trim
attachment or trim to wall
panels.



The table above shows the panel Fasteners provided by WSD. Special order screws are available.

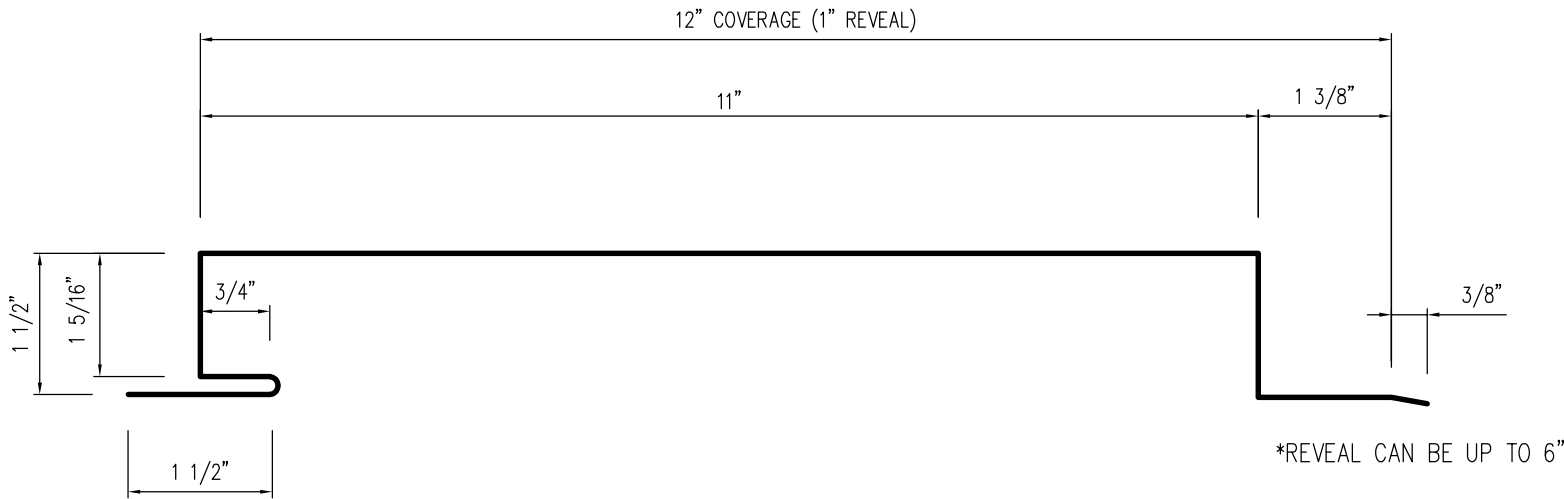
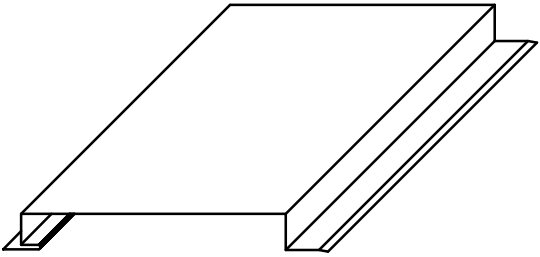


*REVEAL CAN BE UP TO 6"

Available Lengths: 1'-0" to 20'-0" Max

Western States Metal Roofing	SCALE:	TITLE / PART NAME:		
	DRAWN:	T - REVEAL - NR		
901 W. Watkins St. Phoenix, AZ 85007	DATE:	PRODUCT / PRODUCT LINE		
	CHECKED:	T-REVEAL -NR-® PANEL - NO REVEAL		
DATE:	PART I.D.	REVISION	SHEET	

Copyright: The design and print is the property of Western States Metal Roofing, and must not be used, reproduced, or copied, wholly or in part without the written permission from the company. Supply of this design and print represents a confidential communication between the company and recipient.

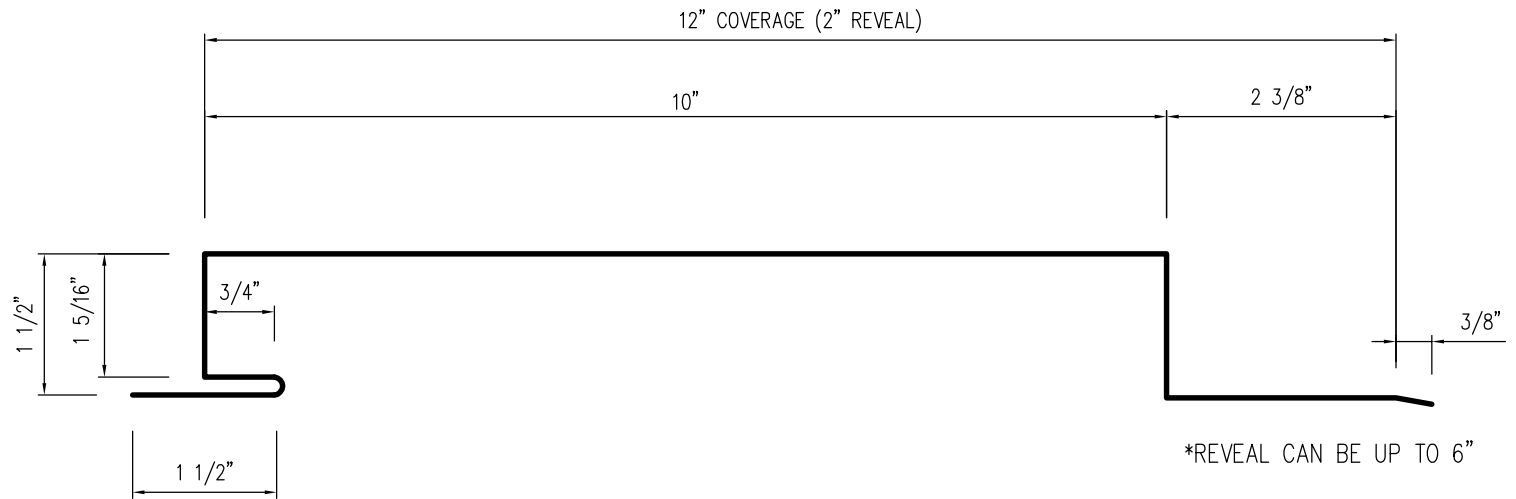
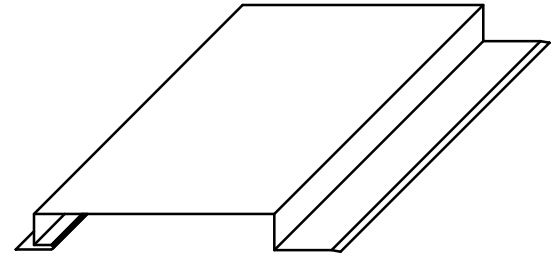


*REVEAL CAN BE UP TO 6"

Available Lengths: 1'-0" to 20'-0" Max

Western States Metal Roofing	SCALE:		TITLE / PART NAME:		
	DRAWN:		T-REVEAL - 1.0		
	DATE:		PRODUCT / PRODUCT LINE		
901 W. Watkins St. Phoenix, AZ 85007	CHECKED:		T-REVEAL - 1.0-® PANEL - 1" REVEAL		
	DATE:		PART I.D.	REVISION	SHEET

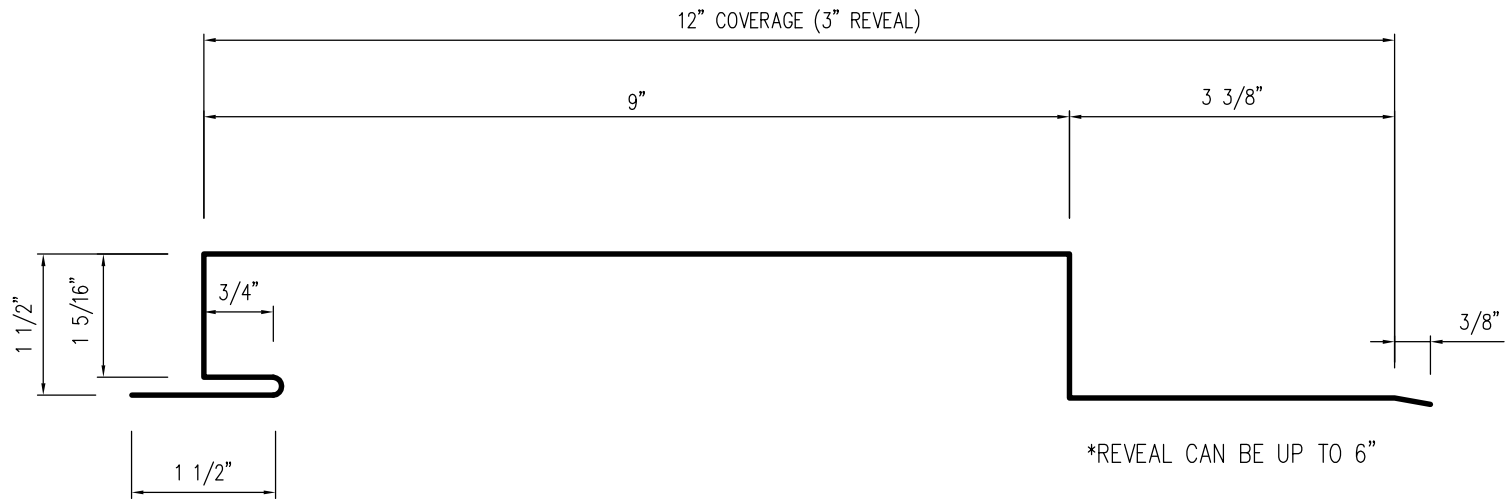
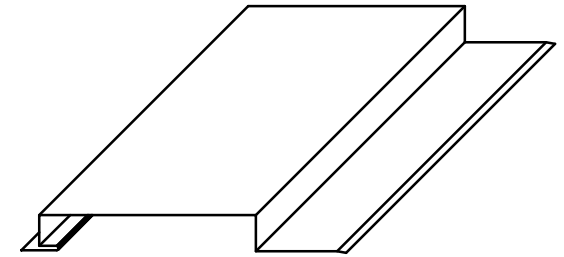
Copyright: The design and print is the property of Western States Metal Roofing, and must not be used, reproduced, or copied, wholly or in part without the written permission from the company. Supply of this design and print represents a confidential communication between the company and recipient.



Available Lengths: 1'-0" to 20'-0" Max

Western States Metal Roofing	SCALE:	TITLE / PART NAME:		
	DRAWN:	T - REVEAL - 2.0		
	DATE:	PRODUCT / PRODUCT LINE		
901 W. Watkins St. Phoenix, AZ 85007	CHECKED:	T-REVEAL - 2.0-® PANEL - 2" REVEAL		
	DATE:	PART I.D.	REVISION	SHEET

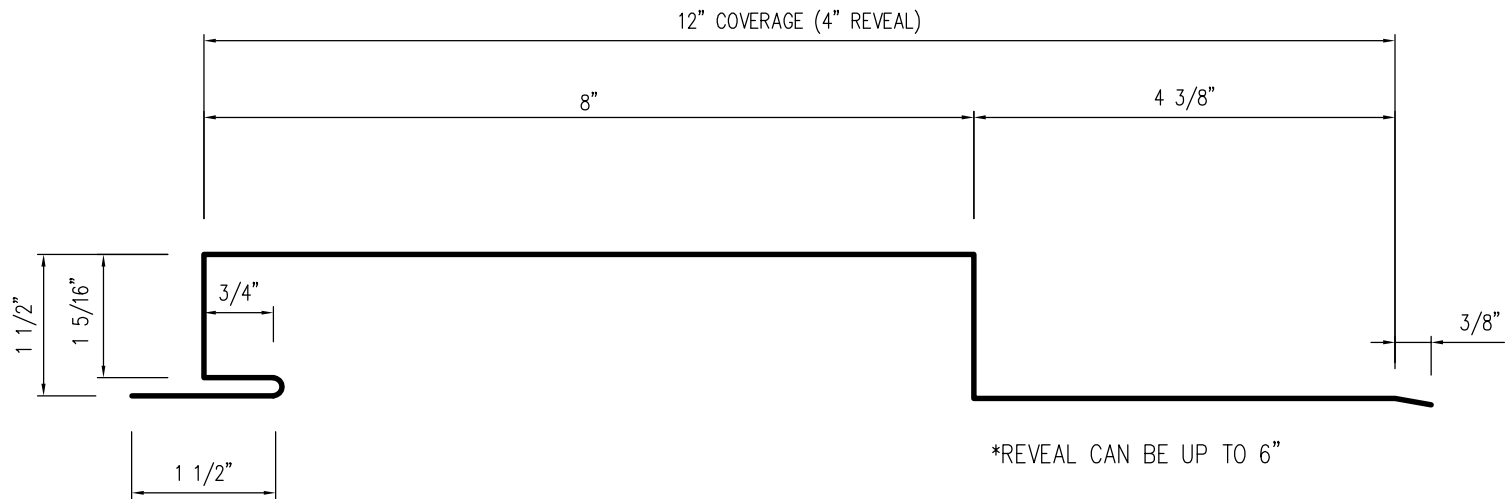
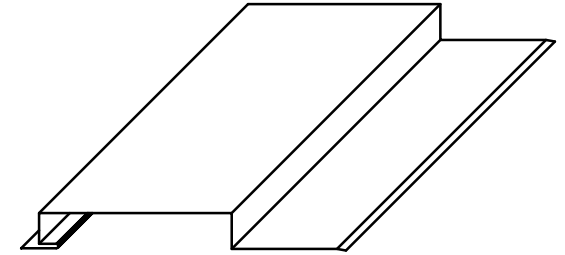
Copyright: The design and print is the property of Western States Metal Roofing, and must not be used, reproduced, or copied, wholly or in part without the written permission from the company. Supply of this design and print represents a confidential communication between the company and recipient.



Available Lengths: 1'-0" to 20'-0" Max

Western States Metal Roofing	SCALE:	TITLE / PART NAME:		
	DRAWN:	T - REVEAL - 3.0		
901 W. Watkins St. Phoenix, AZ 85007	DATE:	PRODUCT / PRODUCT LINE		
	CHECKED:	T-REVEAL - 3.0-® PANEL - 3" REVEAL		
DATE:	PART I.D.	REVISION	SHEET	

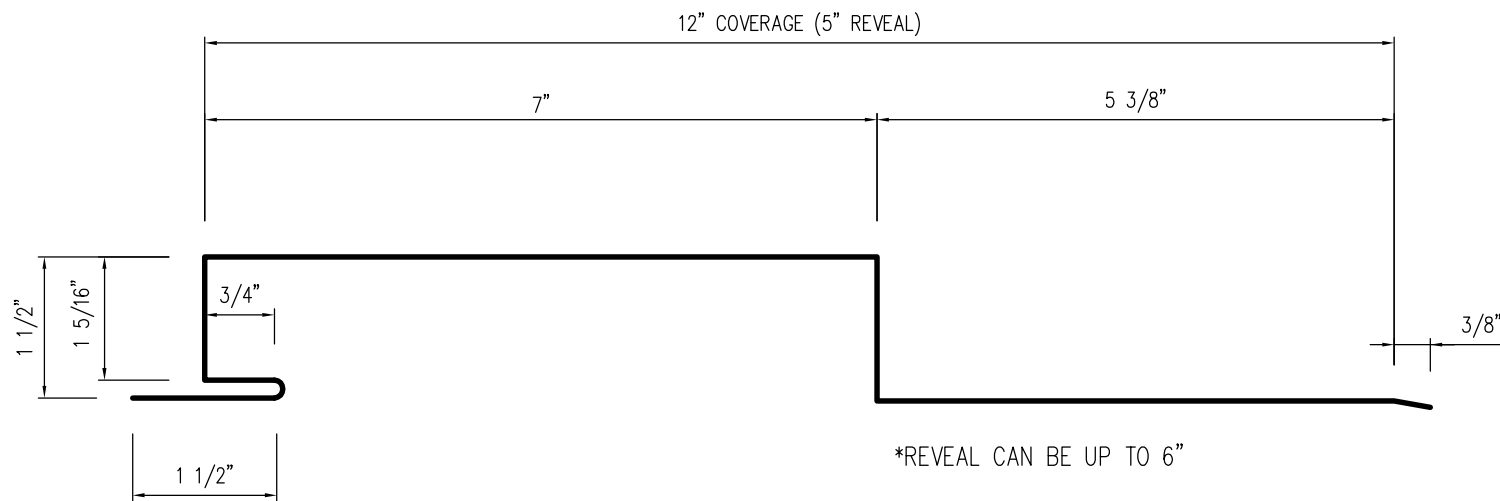
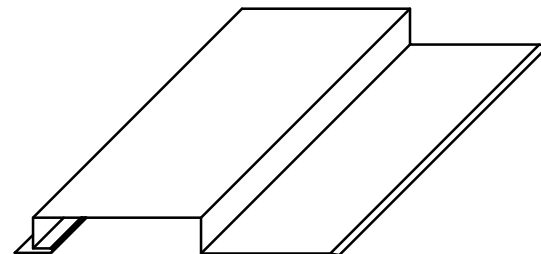
Copyright: The design and print is the property of Western States Metal Roofing, and must not be used, reproduced, or copied, wholly or in part without the written permission from the company. Supply of this design and print represents a confidential communication between the company and recipient.



Available Lengths: 1'-0" to 20'-0" Max

Western States Metal Roofing	SCALE:	TITLE / PART NAME:		
	DRAWN:	T - REVEAL - 4.0		
	DATE:	PRODUCT / PRODUCT LINE		
901 W. Watkins St. Phoenix, AZ 85007	CHECKED:	T-REVEAL - 4.0-® PANEL - 4" REVEAL		
	DATE:	PART I.D.	REVISION	SHEET

Copyright: The design and print is the property of Western States Metal Roofing, and must not be used, reproduced, or copied, wholly or in part without the written permission from the company. Supply of this design and print represents a confidential communication between the company and recipient.

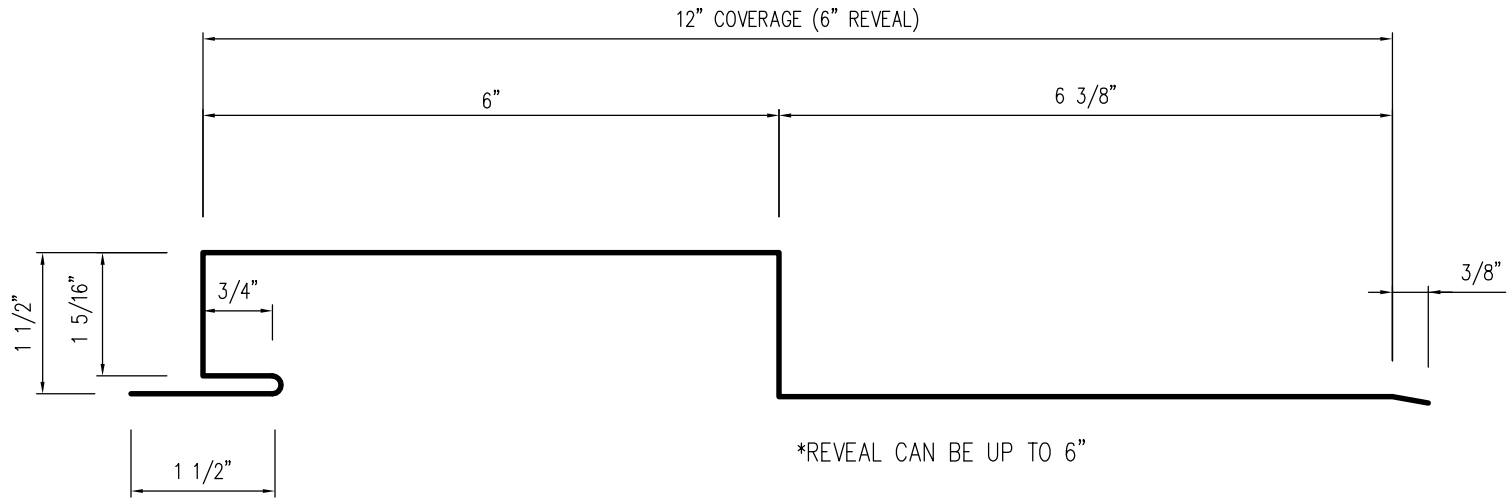
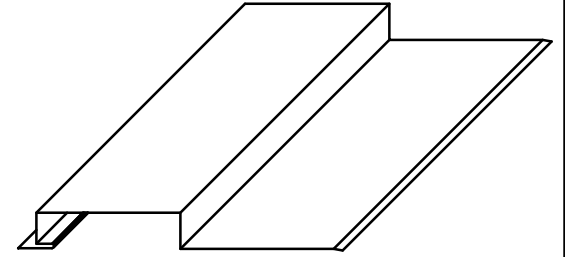


*REVEAL CAN BE UP TO 6"

Available Lengths: 1'-0" to 20'-0" Max

Western States Metal Roofing	SCALE:	TITLE / PART NAME:		
	DRAWN:	T - REVEAL - 5.0		
	DATE:	PRODUCT / PRODUCT LINE		
901 W. Watkins St. Phoenix, AZ 85007	CHECKED:	T-REVEAL - 5.0-® PANEL - 5" REVEAL		
	DATE:	PART I.D.	REVISION	SHEET

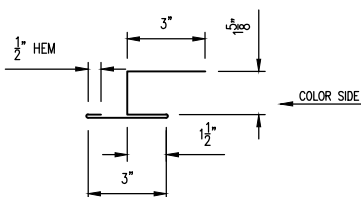
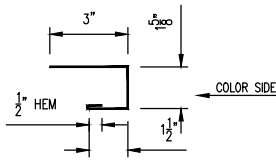
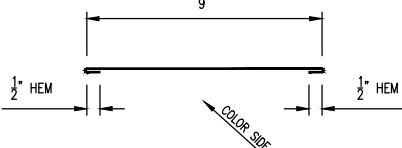
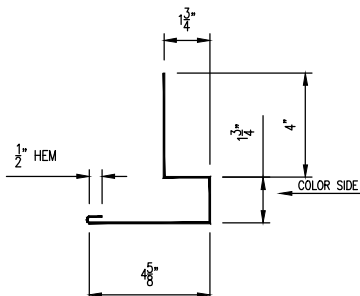
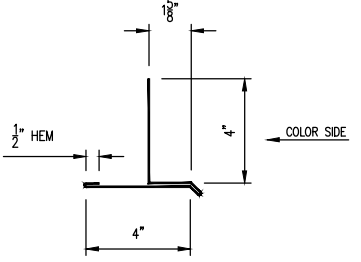
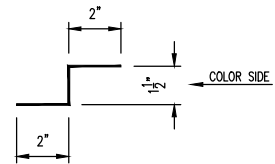
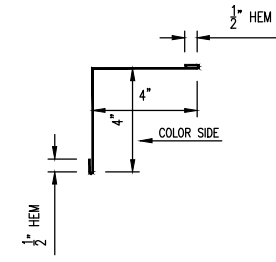
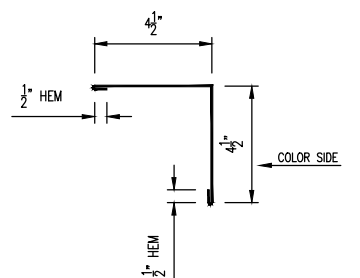
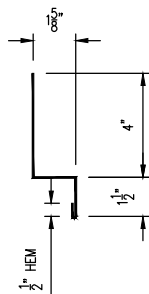
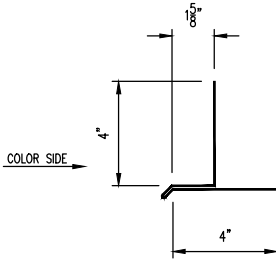
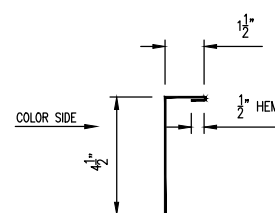
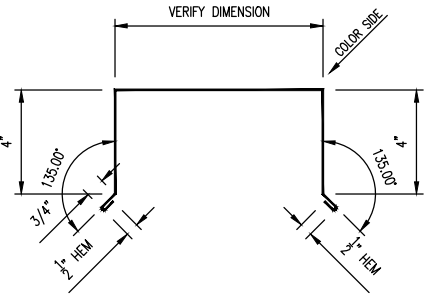
Copyright: The design and print is the property of Western States Metal Roofing, and must not be used, reproduced, or copied, wholly or in part without the written permission from the company. Supply of this design and print represents a confidential communication between the company and recipient.



Available Lengths: 1'-0" to 20'-0" Max

Western States Metal Roofing	SCALE:	TITLE / PART NAME:		
	DRAWN:	T - REVEAL - 6.0		
	DATE:	PRODUCT / PRODUCT LINE		
901 W. Watkins St. Phoenix, AZ 85007	CHECKED:	T-REVEAL - 6.0-® PANEL - 6" REVEAL		
	DATE:	PART I.D.	REVISION	SHEET

Copyright: The design and print is the property of Western States Metal Roofing, and must not be used, reproduced, or copied, wholly or in part without the written permission from the company. Supply of this design and print represents a confidential communication between the company and recipient.

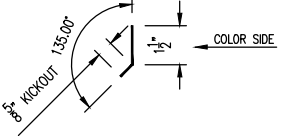
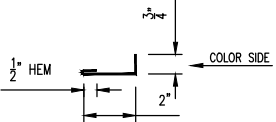
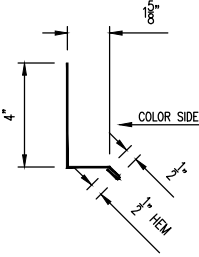
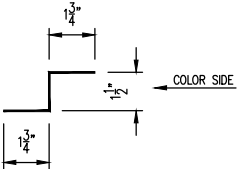
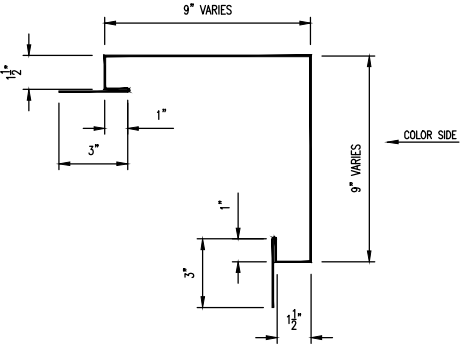
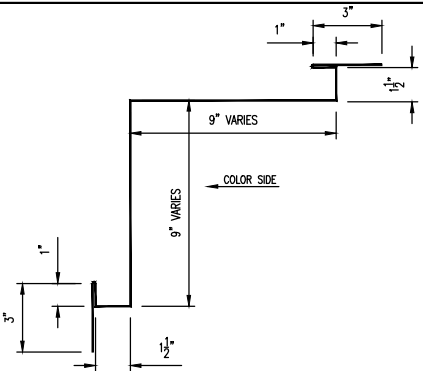
<p>END SPLICE WS-700</p> 	<p>C METAL (J-TRIM) WS-701</p> 	<p>REVEAL FLASHING WS-702</p> 	<p>SILL DRIP TRIM WS-704</p> 
<p>ALTERNATE SILL DRIP TRIM WS-705</p> 	<p>Z METAL TRIM WS-706</p> 	<p>INSIDE CORNER TRIM WS-707</p> 	<p>OUTSIDE CORNER TRIM WS-708</p> 
<p>TRANSITION/SILL TRIM WS-709</p> 	<p>DOOR/WINDOW HEAD TRIM WS-710</p> 	<p>DOOR/WINDOW JAMB TRIM WS-711</p> 	<p>PARAPET CAP WS-712</p> 

Western States Metal Roofing

901 W. Watkins St.
 Phoenix, AZ 85007
www.MetalForRoofing.com
www.RustedRoofing.com
www.MetalDeck.com

Phone: (602) 495-0048
 Fax: (602) 261-7726
 877-PURLINS (787-5467)

STANDARD TRIMS								
PANEL TYPE: T- REVEAL ® PANEL		<table border="1"> <tr> <td data-bbox="1780 1437 1869 1469">A</td> <td data-bbox="1869 1437 2007 1469">07-20-2017</td> </tr> <tr> <td data-bbox="1780 1469 1869 1502">REV:</td> <td data-bbox="1869 1469 2007 1502">DATE:</td> </tr> <tr> <td colspan="2" data-bbox="1780 1502 2007 1572">DETAIL #: TR-WSD-ST1</td> </tr> </table>	A	07-20-2017	REV:	DATE:	DETAIL #: TR-WSD-ST1	
A	07-20-2017							
REV:	DATE:							
DETAIL #: TR-WSD-ST1								

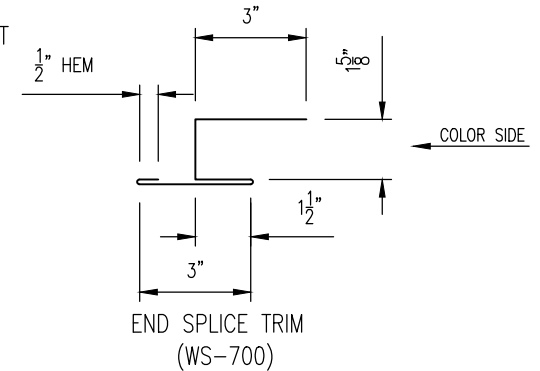
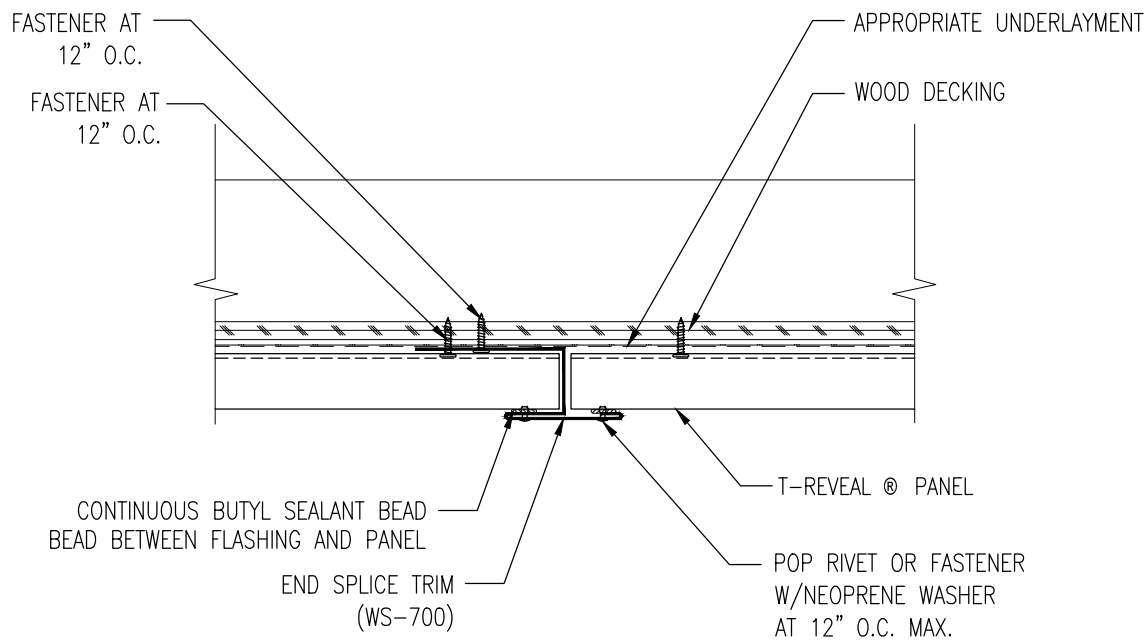
<p>TRIM CLEAT WS-713</p> 	<p>ALTERNATE WALL TRIM WS-714</p> 	<p>BASE TRIM WS-715</p> 	<p>Z METAL TRIM (SMALL) WS-716</p> 
<p>CUSTOM OUTSIDE CORNER WS-717</p> 	<p>CUSTOM INSIDE CORNER WS-718</p> 		

Western States Metal Roofing

901 W. Watkins St.
 Phoenix, AZ 85007
www.MetalForRoofing.com
www.RustedRoofing.com
www.MetalDeck.com

Phone: (602) 495-0048
 Fax: (602) 261-7726
 877-PURLINS (787-5467)

STANDARD TRIMS			
PANEL TYPE: T- REVEAL ® PANEL		A	07-20-2017
		REV:	DATE:
		DETAIL #: TR-WSD-ST2	

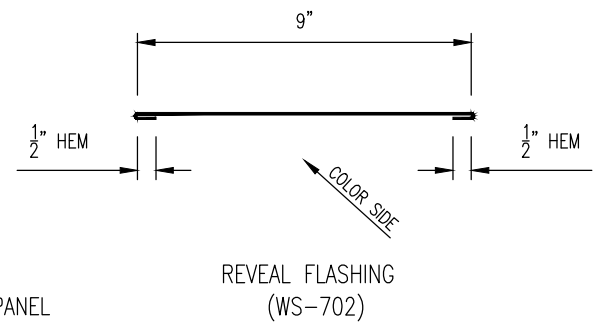
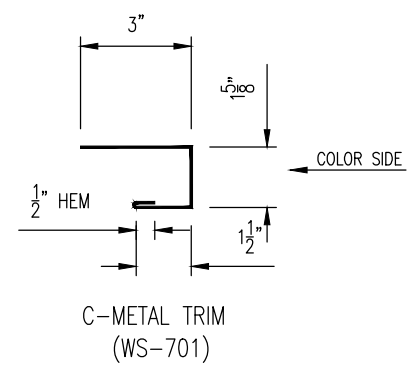
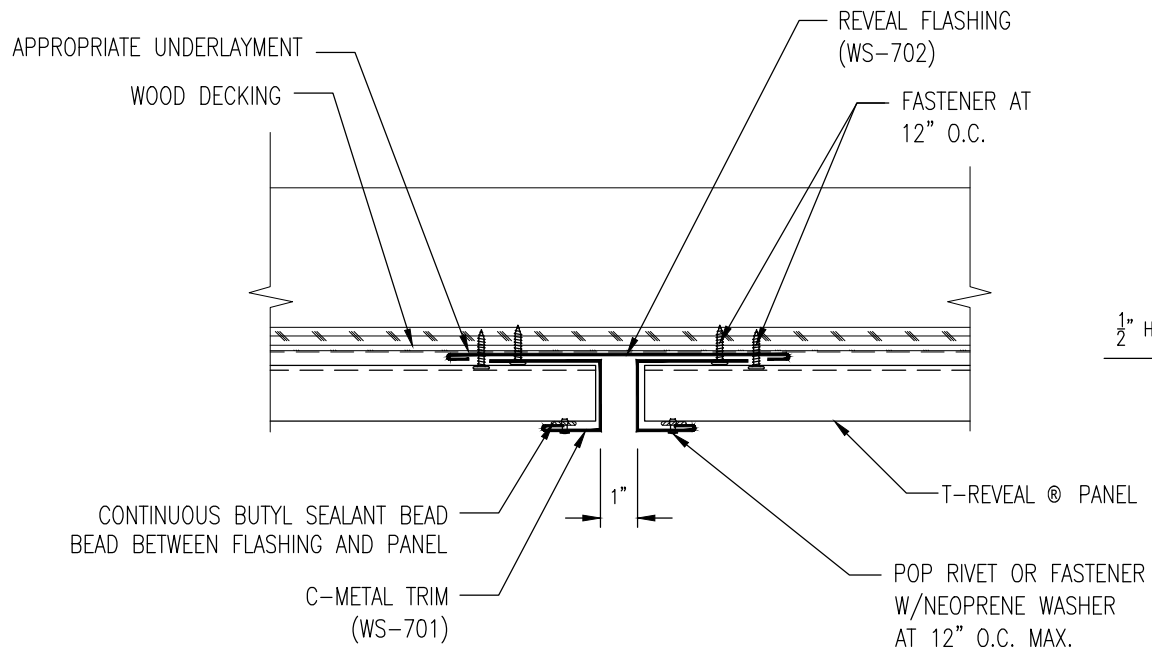


GAUGE: _____	COLOR: _____		
LENGTH: _____	FINISH: _____		
MATERIAL: _____			
SOFFIT END SPLICE DETAIL		A	08-11-2017
		REV:	DATE:
PANEL TYPE: T- REVEAL ® PANEL		DETAIL #: TR-WSD-S1	

Western States Metal Roofing

901 W. Watkins St.
Phoenix, AZ 85007
www.MetalForRoofing.com
www.RustedRoofing.com
www.MetalDeck.com

Phone: (602) 495-0048
Fax: (602) 261-7726
877-PURLINS (787-5467)

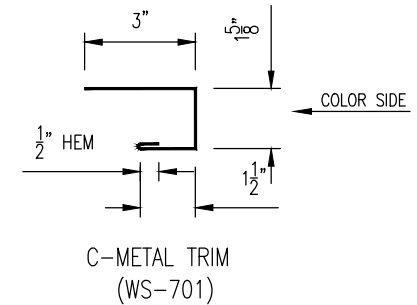
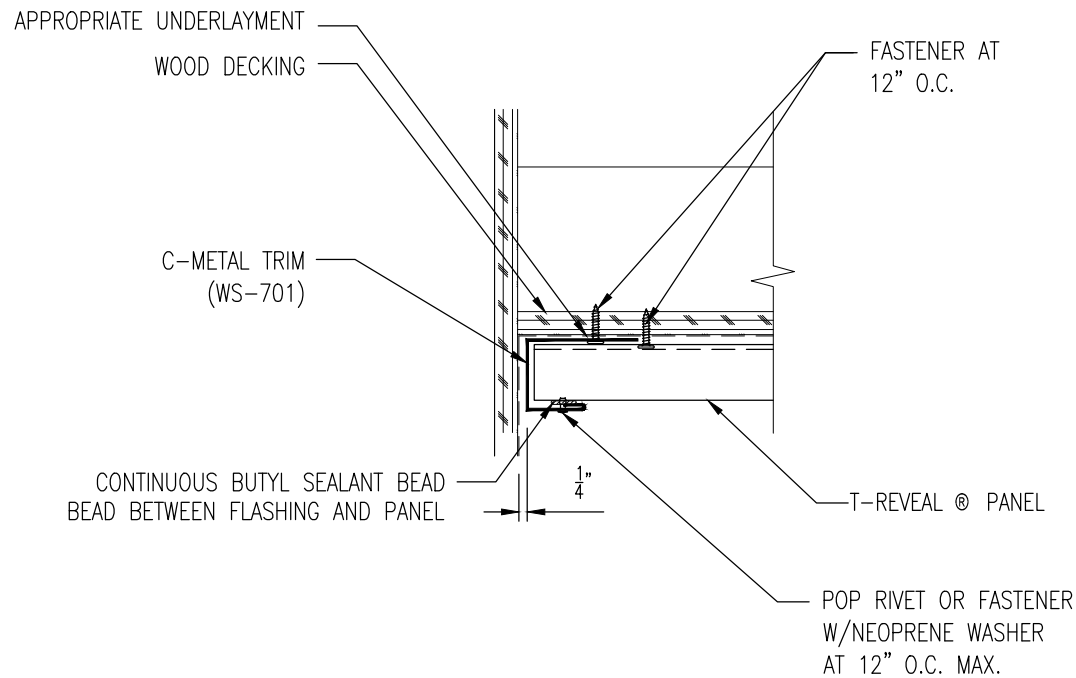


Western States Metal Roofing

901 W. Watkins St.
 Phoenix, AZ 85007
 www.MetalForRoofing.com
 www.RustedRoofing.com
 www.MetalDeck.com

Phone: (602) 495-0048
 Fax: (602) 261-7726
 877-PURLINS (787-5467)

GAUGE: _____		COLOR: _____	
LENGTH: _____		FINISH: _____	
MATERIAL: _____			
WALL/SOFFIT END SPLICE DETAIL			
		A	08-11-2017
PANEL TYPE: T- REVEAL ® PANEL		REV:	DATE:
		DETAIL #: TR-WSD-SW2	



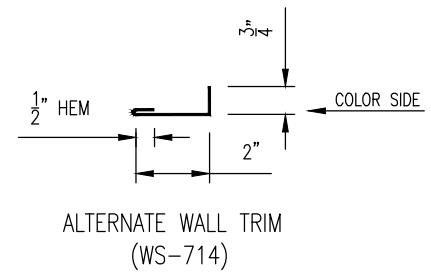
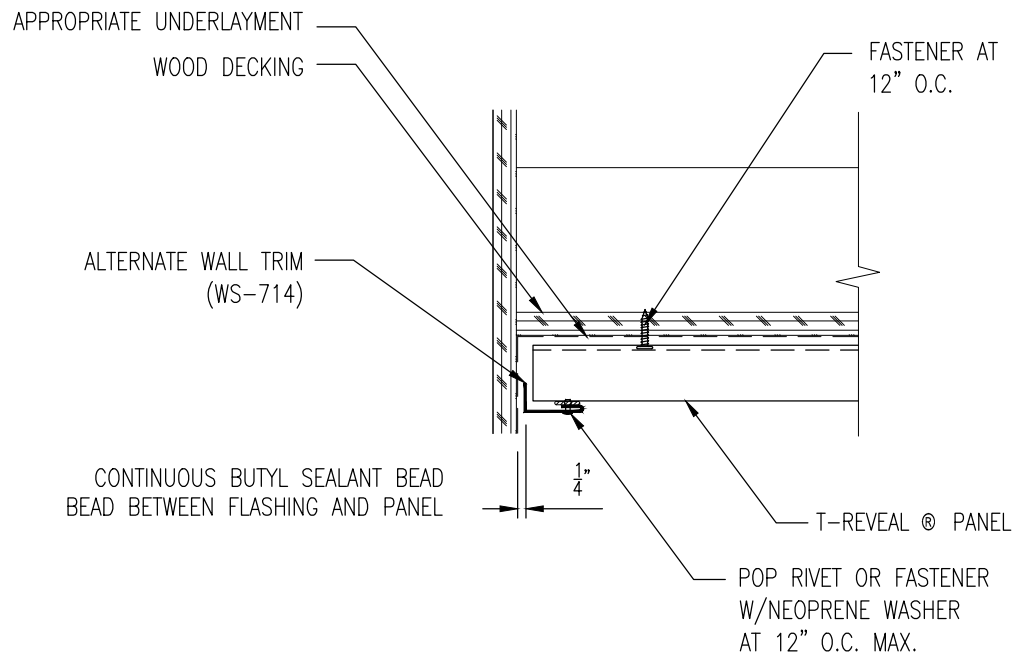
GAUGE: _____	COLOR: _____
LENGTH: _____	FINISH: _____
MATERIAL: _____	

Western States Metal Roofing

901 W. Watkins St.
 Phoenix, AZ 85007
www.MetalForRoofing.com
www.RustedRoofing.com
www.MetalDeck.com

Phone: (602) 495-0048
 Fax: (602) 261-7726
 877-PURLINS (787-5467)

SOFFIT END WALL DETAIL		
	A	08-11-2017
PANEL TYPE: T- REVEAL® PANEL	REV:	DATE:
	DETAIL #: TR-WSD-S3	

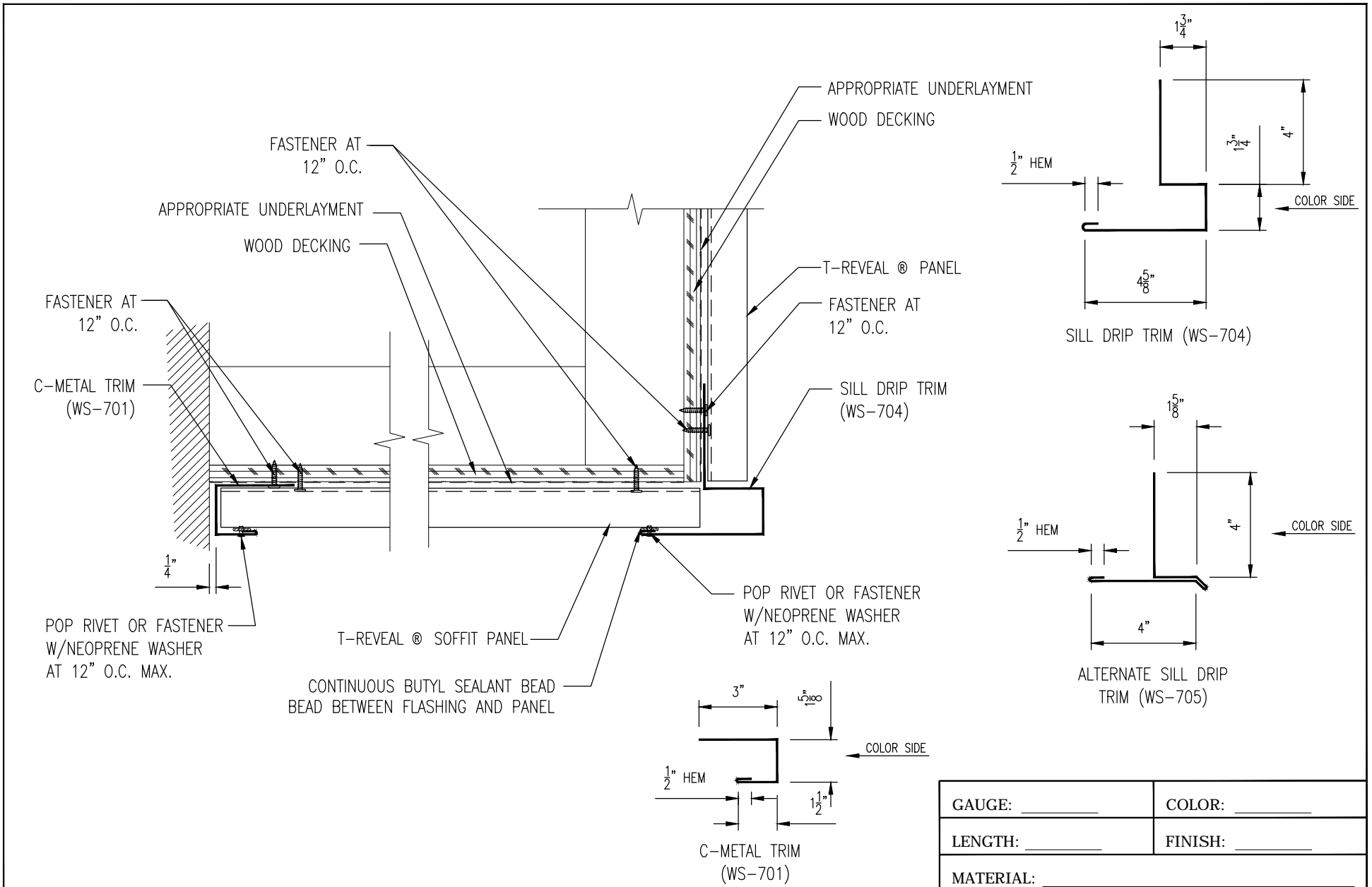


Western States Metal Roofing

901 W. Watkins St.
 Phoenix, AZ 85007
www.MetalForRoofing.com
www.RustedRoofing.com
www.MetalDeck.com

Phone: (602) 495-0048
 Fax: (602) 261-7726
 877-PURLINS (787-5467)

GAUGE: _____	COLOR: _____		
LENGTH: _____	FINISH: _____		
MATERIAL: _____			
ALTERNATE SOFFIT END WALL DETAIL			
		A	08-11-2017
PANEL TYPE: T- REVEAL ® PANEL		REV:	DATE:
		DETAIL #: TR-WSD-SW4	

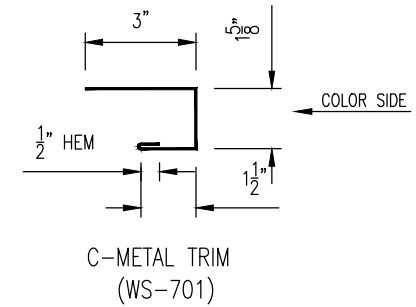
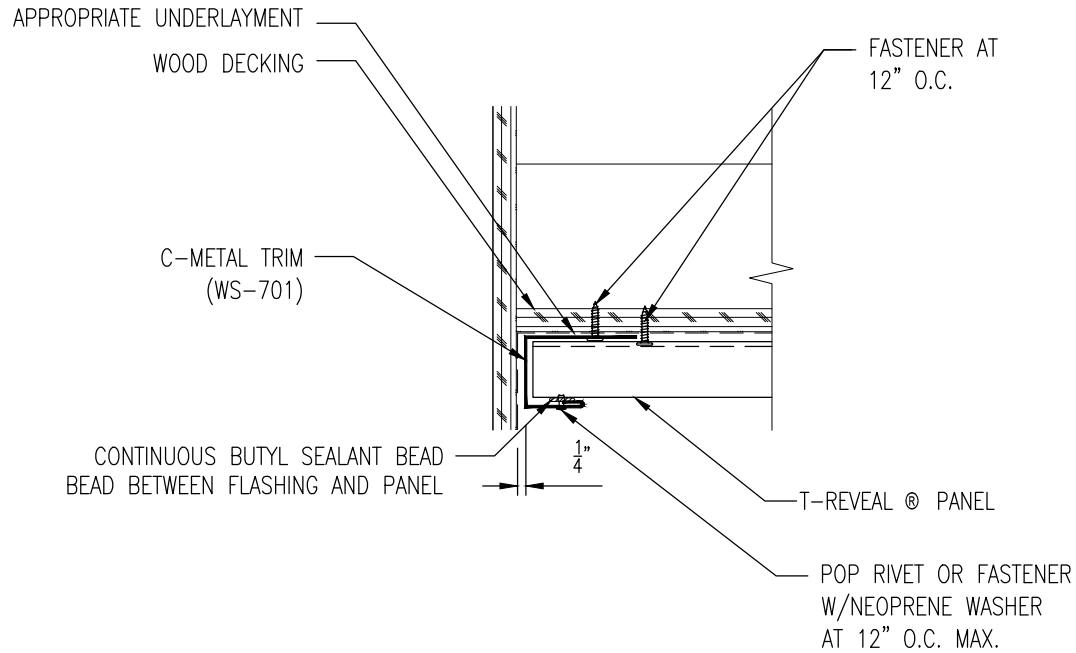


Western States Metal Roofing

901 W. Watkins St.
 Phoenix, AZ 85007
www.MetalForRoofing.com
www.RustedRoofing.com
www.MetalDeck.com

Phone: (602) 495-0048
 Fax: (602) 261-7726
 877-PURLINS (787-5467)

GAUGE: _____		COLOR: _____	
LENGTH: _____		FINISH: _____	
MATERIAL: _____			
SOFFIT TO WALL DRIP DETAIL			
		A	08-11-2017
PANEL TYPE: T- REVEAL @ PANEL		REV:	DATE:
		DETAIL #: TR-WSD-SW5	

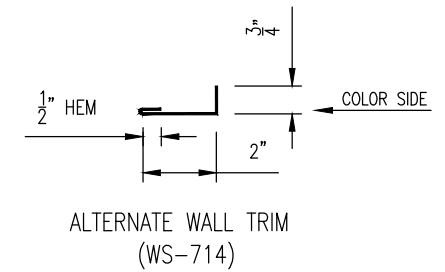
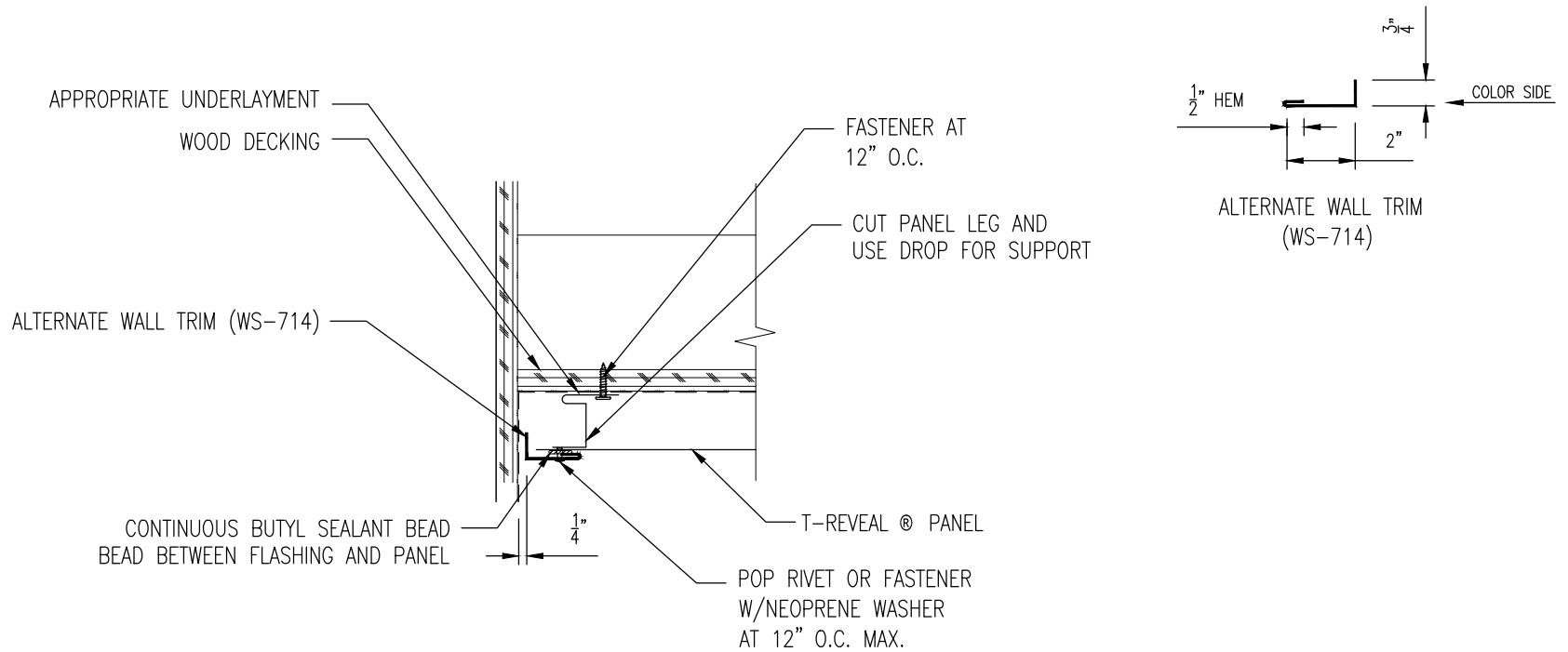


GAUGE: _____		COLOR: _____	
LENGTH: _____		FINISH: _____	
MATERIAL: _____			
HORIZONTAL SIDING END WALL DETAIL			
		A	08-11-2017
PANEL TYPE: T- REVEAL ® PANEL		REV:	DATE:
		DETAIL #: TR-WSD-W6	

Western States Metal Roofing

901 W. Watkins St.
Phoenix, AZ 85007
www.MetalForRoofing.com
www.RustedRoofing.com
www.MetalDeck.com

Phone: (602) 495-0048
Fax: (602) 261-7726
877-PURLINS (787-5467)



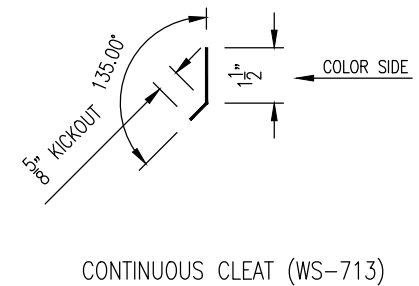
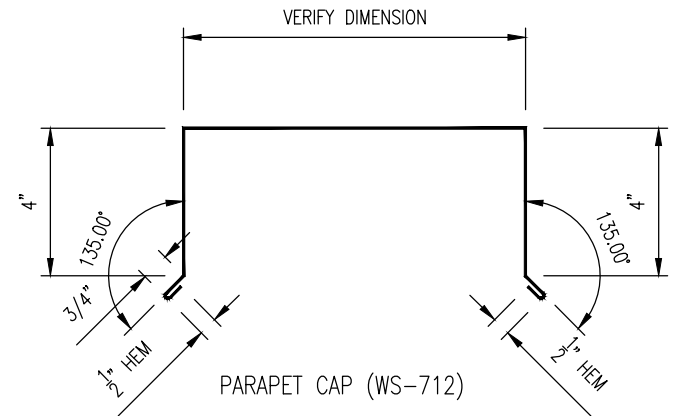
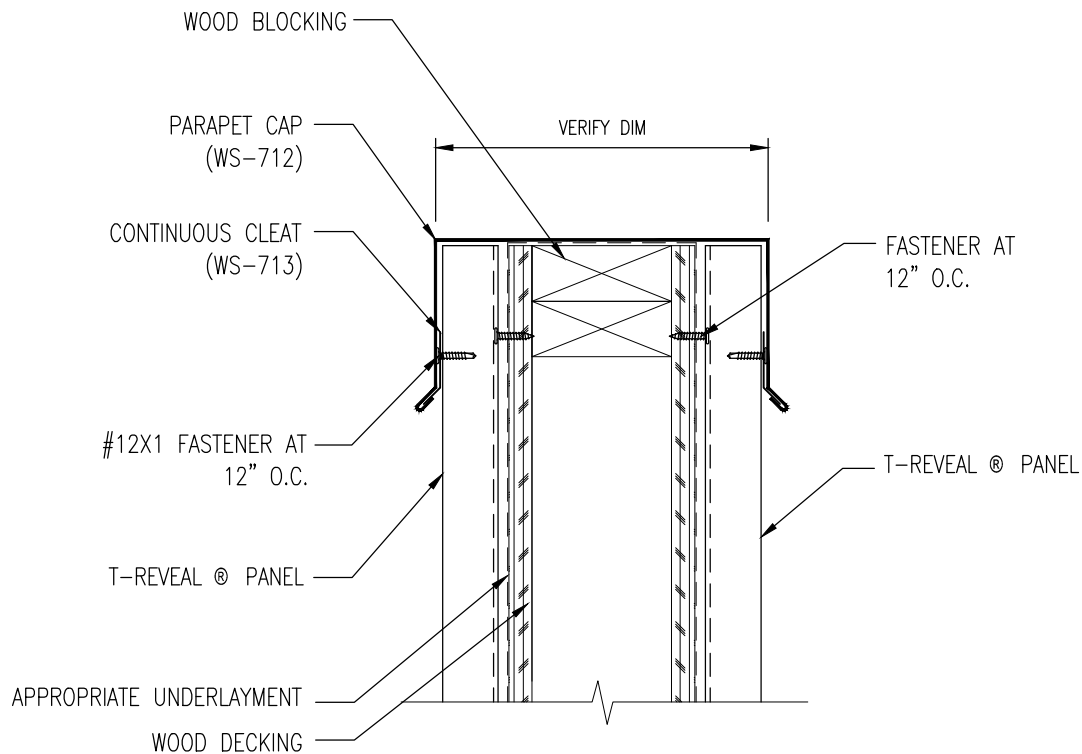
GAUGE: _____	COLOR: _____
LENGTH: _____	FINISH: _____
MATERIAL: _____	

Western States Metal Roofing

901 W. Watkins St.
 Phoenix, AZ 85007
www.MetalForRoofing.com
www.RustedRoofing.com
www.MetalDeck.com

Phone: (602) 495-0048
 Fax: (602) 261-7726
 877-PURLINS (787-5467)

VERTICAL SIDING END WALL DETAIL		
	A	08-11-2017
PANEL TYPE: T- REVEAL ® PANEL	REV:	DATE:
	DETAIL #: TR-WSD-SW7	



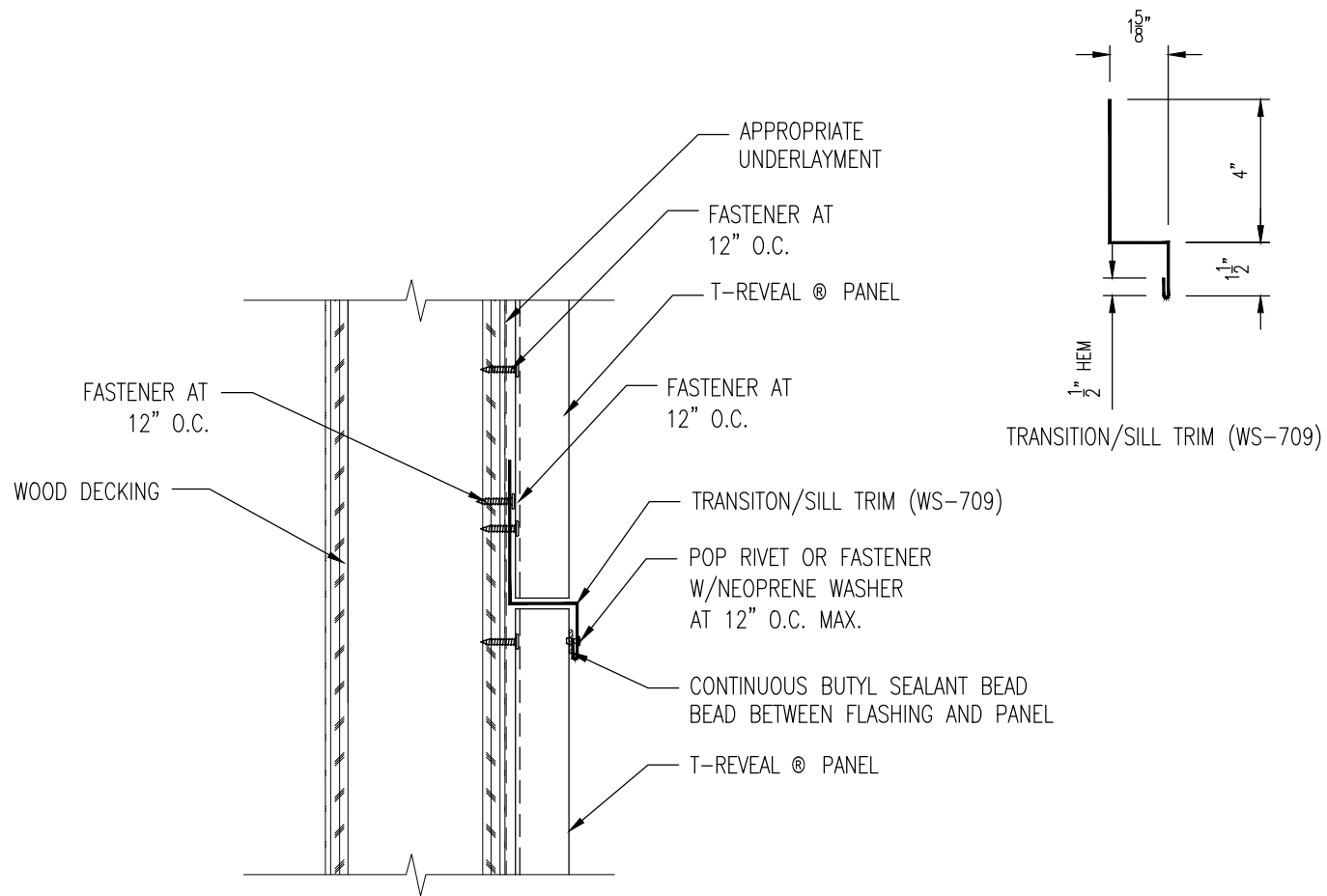
GAUGE: _____	COLOR: _____
LENGTH: _____	FINISH: _____
MATERIAL: _____	

Western States Metal Roofing

901 W. Watkins St.
 Phoenix, AZ 85007
www.MetalForRoofing.com
www.RustedRoofing.com
www.MetalDeck.com

Phone: (602) 495-0048
 Fax: (602) 261-7726
 877-PURLINS (787-5467)

PARAPET WALL DETAIL			
		A	08-11-2017
PANEL TYPE: T- REVEAL @ PANEL		REV:	DATE:
		DETAIL #: TR-WSD-SW8	

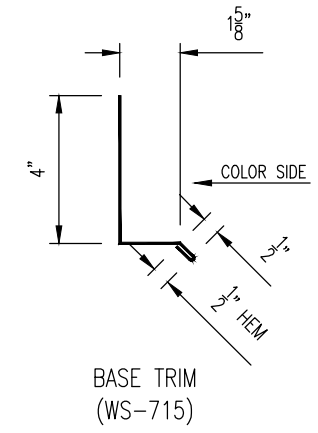
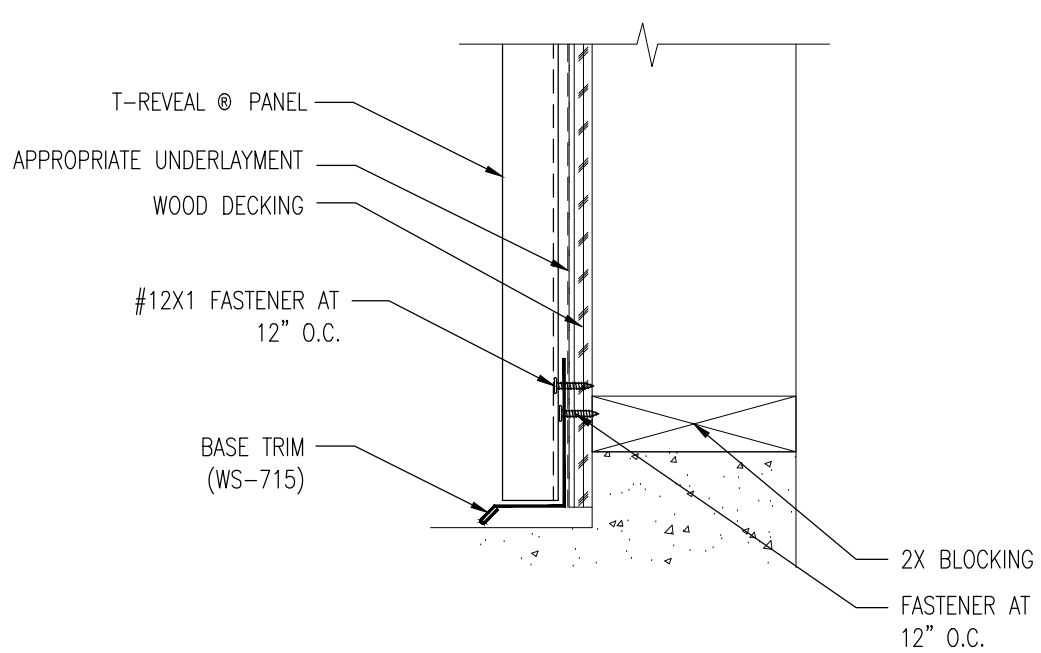


GAUGE: _____		COLOR: _____	
LENGTH: _____		FINISH: _____	
MATERIAL: _____			
SPLICE / SILL DETAIL			
		A	08-11-2017
PANEL TYPE: T- REVEAL ® PANEL		REV:	DATE:
		DETAIL #: TR-WSD-W9	

Western States Metal Roofing

901 W. Watkins St.
 Phoenix, AZ 85007
www.MetalForRoofing.com
www.RustedRoofing.com
www.MetalDeck.com

Phone: (602) 495-0048
 Fax: (602) 261-7726
 877-PURLINS (787-5467)



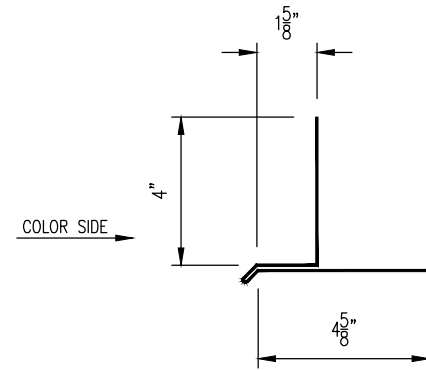
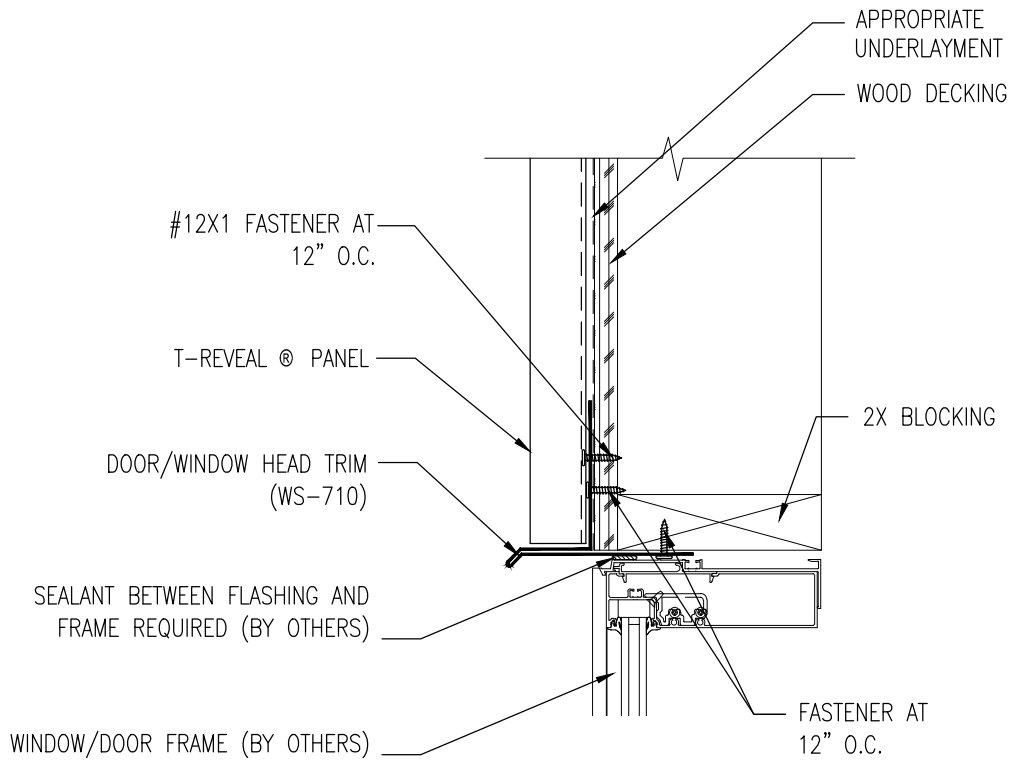
GAUGE: _____	COLOR: _____
LENGTH: _____	FINISH: _____
MATERIAL: _____	

Western States Metal Roofing

901 W. Watkins St.
 Phoenix, AZ 85007
www.MetalForRoofing.com
www.RustedRoofing.com
www.MetalDeck.com

Phone: (602) 495-0048
 Fax: (602) 261-7726
 877-PURLINS (787-5467)

BASE DETAIL		
	A	08-11-2017
PANEL TYPE: T- REVEAL ® PANEL	REV:	DATE:
	DETAIL #: TR-WSD-W10	



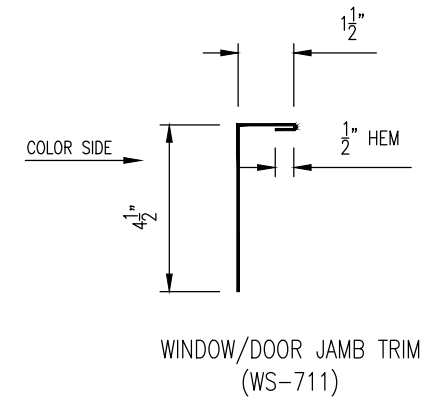
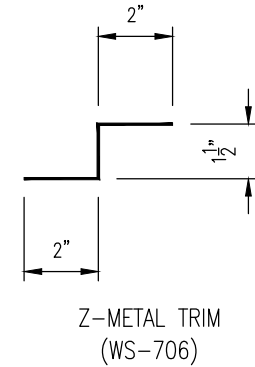
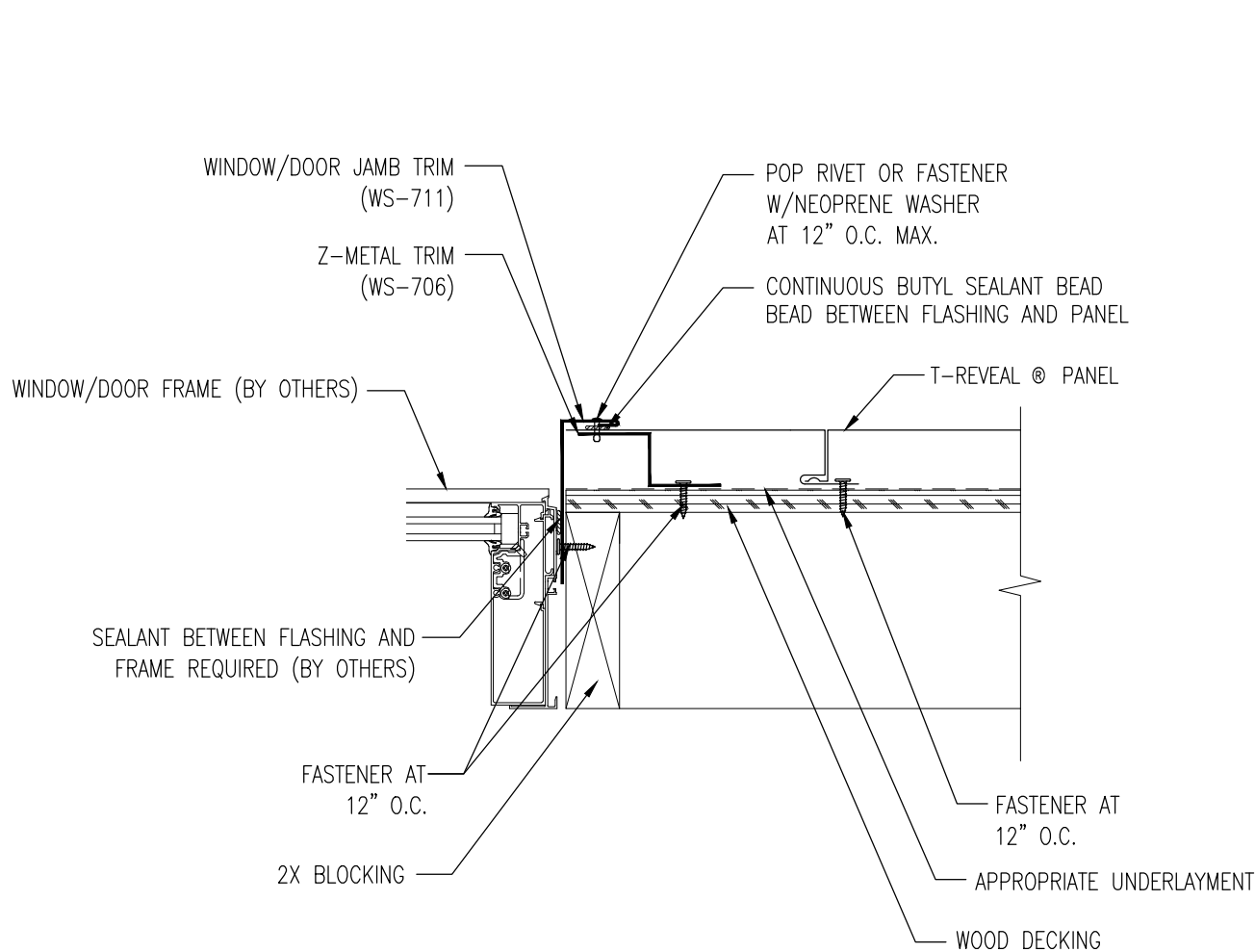
DOOR/WINDOW HEAD TRIM (WS-710)

GAUGE: _____		COLOR: _____	
LENGTH: _____		FINISH: _____	
MATERIAL: _____			
DOOR / WINDOW SILL AND HEAD DETAIL			
		A	08-11-2017
PANEL TYPE: T- REVEAL ® PANEL		REV:	DATE:
		DETAIL #: TR-WSD-W11	

Western States Metal Roofing

901 W. Watkins St.
Phoenix, AZ 85007
www.MetalForRoofing.com
www.RustedRoofing.com
www.MetalDeck.com

Phone: (602) 495-0048
Fax: (602) 261-7726
877-PURLINS (787-5467)

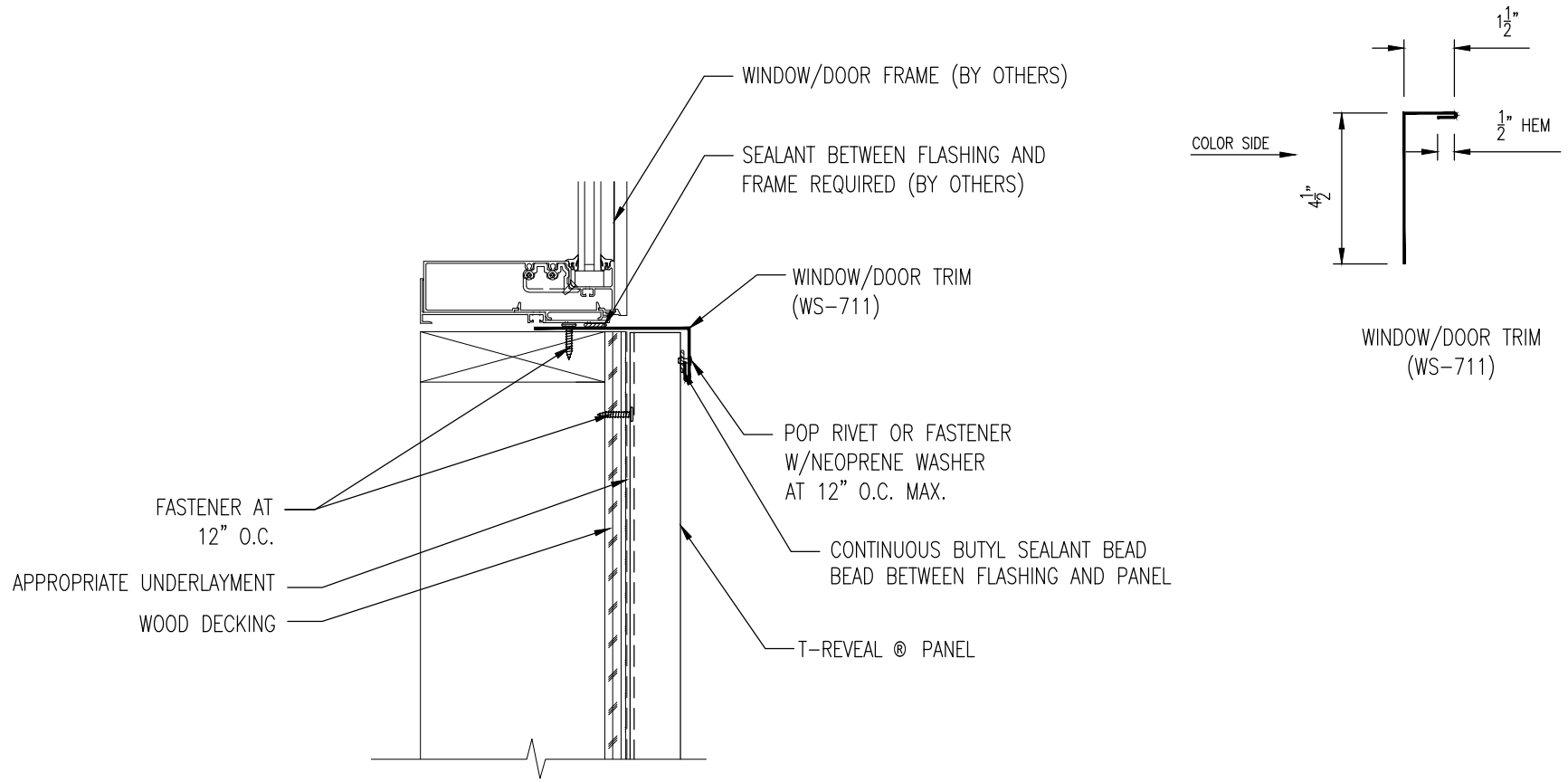


GAUGE: _____	COLOR: _____
LENGTH: _____	FINISH: _____
MATERIAL: _____	
WINDOW / DOOR JAMB DETAIL	
A	08-11-2017
REV:	DATE:
PANEL TYPE: T- REVEAL ® PANEL	DETAIL #: TR-WSD-W12

Western States Metal Roofing

901 W. Watkins St.
 Phoenix, AZ 85007
www.MetalForRoofing.com
www.RustedRoofing.com
www.MetalDeck.com

Phone: (602) 495-0048
 Fax: (602) 261-7726
 877-PURLINS (787-5467)



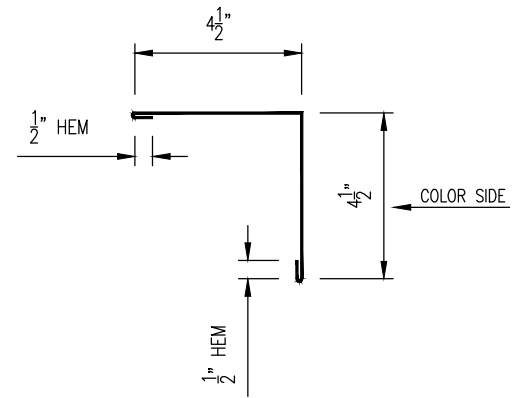
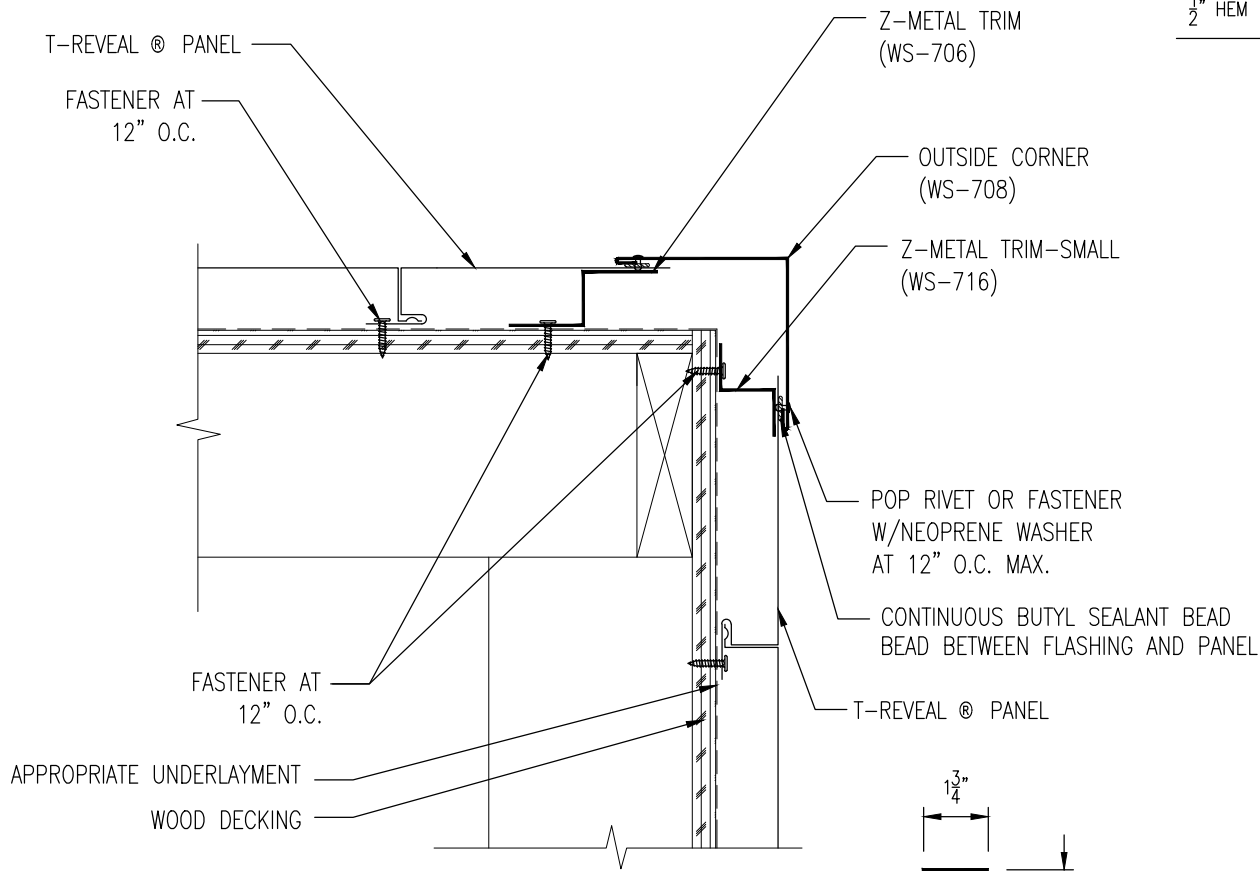
GAUGE: _____	COLOR: _____
LENGTH: _____	FINISH: _____
MATERIAL: _____	

Western States Metal Roofing

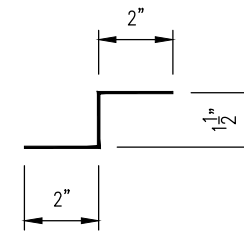
901 W. Watkins St.
 Phoenix, AZ 85007
www.MetalForRoofing.com
www.RustedRoofing.com
www.MetalDeck.com

Phone: (602) 495-0048
 Fax: (602) 261-7726
 877-PURLINS (787-5467)

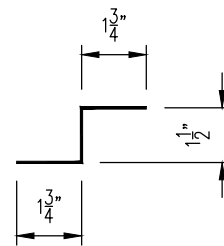
DOOR / WINDOW SILL DETAIL		
	A	08-11-2017
PANEL TYPE: T- REVEAL ® PANEL	REV:	DATE:
	DETAIL #: TR-WSD-W13	



OUTSIDE CORNER (WS-708)



Z-METAL TRIM (WS-706)



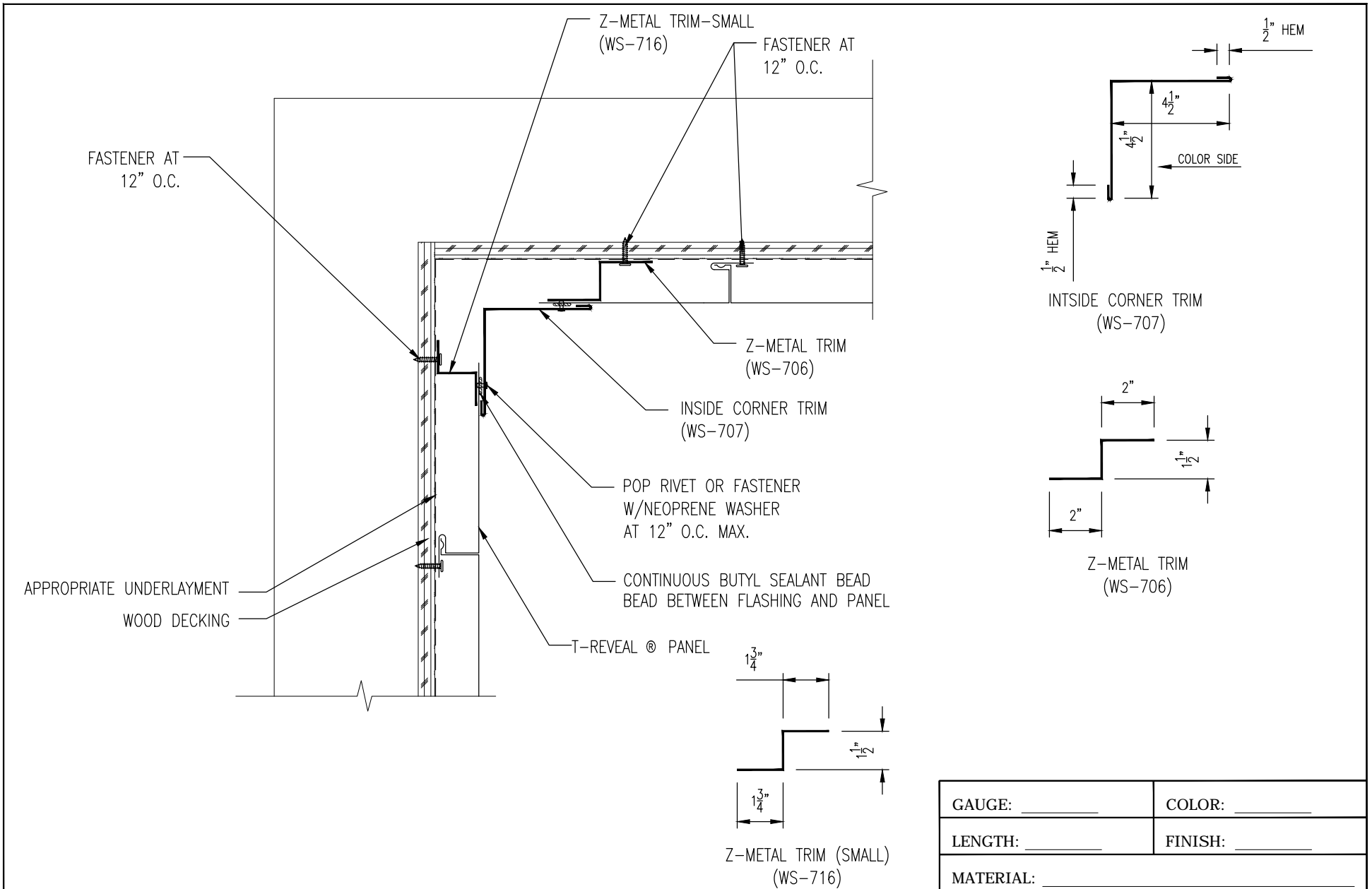
Z-METAL TRIM (SMALL) (WS-716)

GAUGE: _____		COLOR: _____	
LENGTH: _____		FINISH: _____	
MATERIAL: _____			
OUTSIDE CORNER DETAIL			
		A	08-11-2017
PANEL TYPE: T- REVEAL ® PANEL		REV:	DATE:
		DETAIL #: TR-WSD-W14	

Western States Metal Roofing

901 W. Watkins St.
Phoenix, AZ 85007
www.MetalForRoofing.com
www.RustedRoofing.com
www.MetalDeck.com

Phone: (602) 495-0048
Fax: (602) 261-7726
877-PURLINS (787-5467)

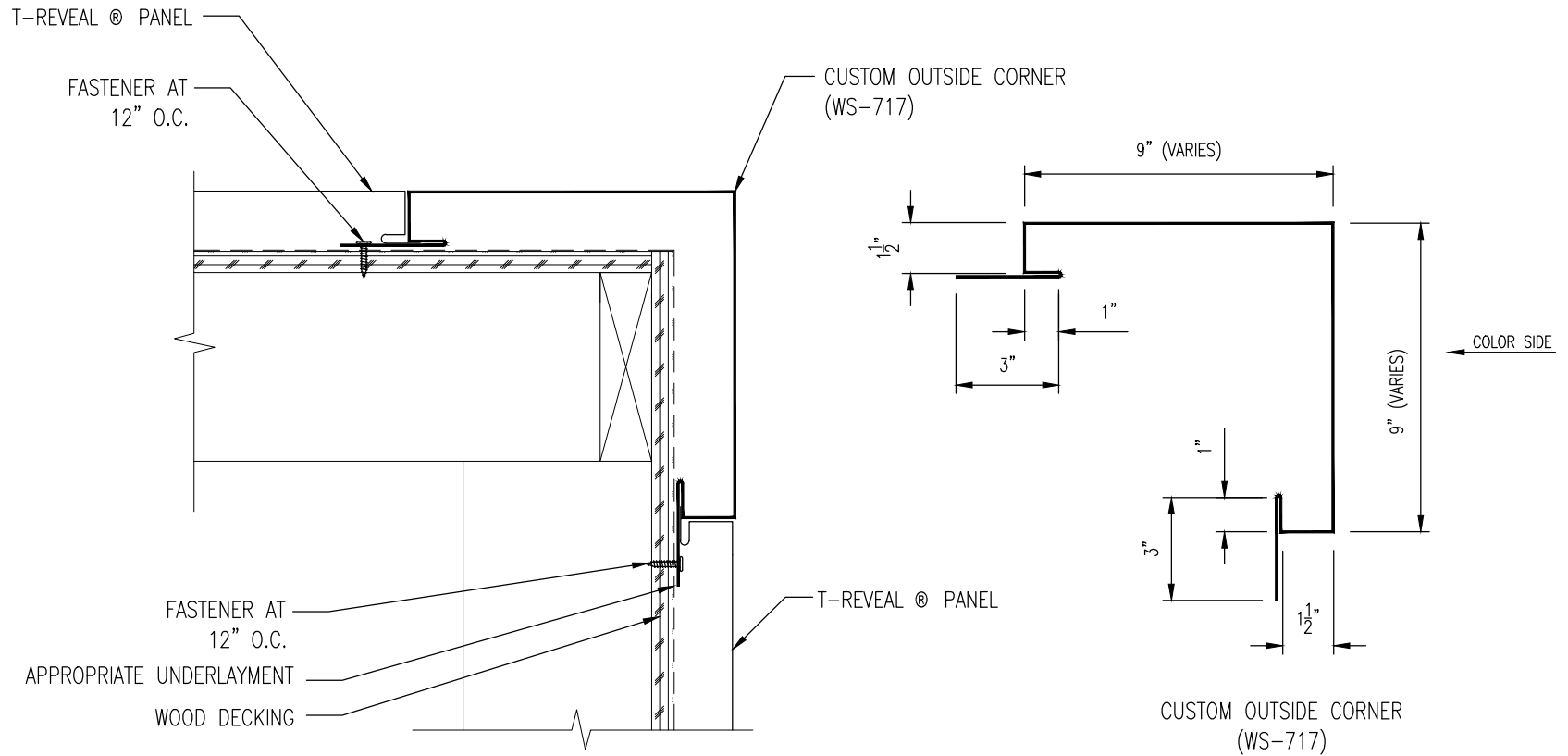


Western States Metal Roofing

901 W. Watkins St.
 Phoenix, AZ 85007
www.MetalForRoofing.com
www.RustedRoofing.com
www.MetalDeck.com

Phone: (602) 495-0048
 Fax: (602) 261-7726
 877-PURLINS (787-5467)

GAUGE: _____	COLOR: _____
LENGTH: _____	FINISH: _____
MATERIAL: _____	
INSIDE CORNER DETAIL	
	A 08-11-2017
PANEL TYPE: T- REVEAL ® PANEL	REV: _____ DATE: _____
	DETAIL #: TR-WSD-W15

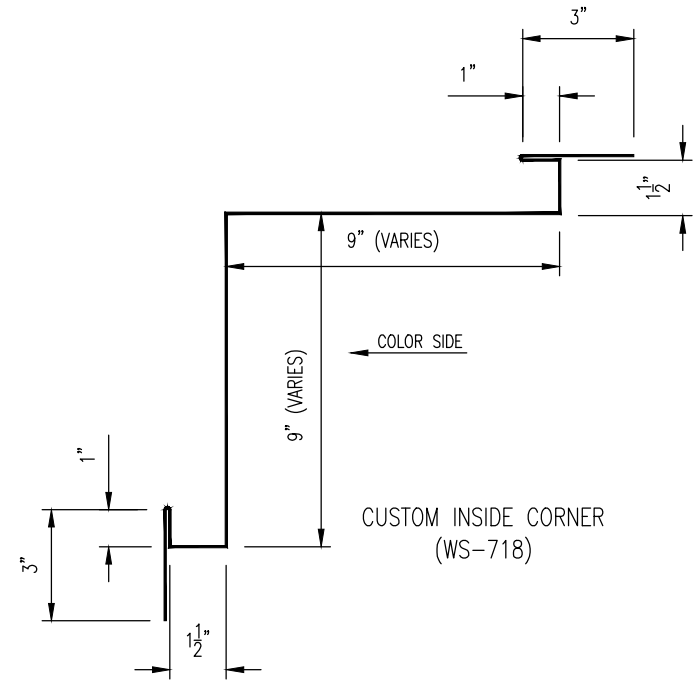
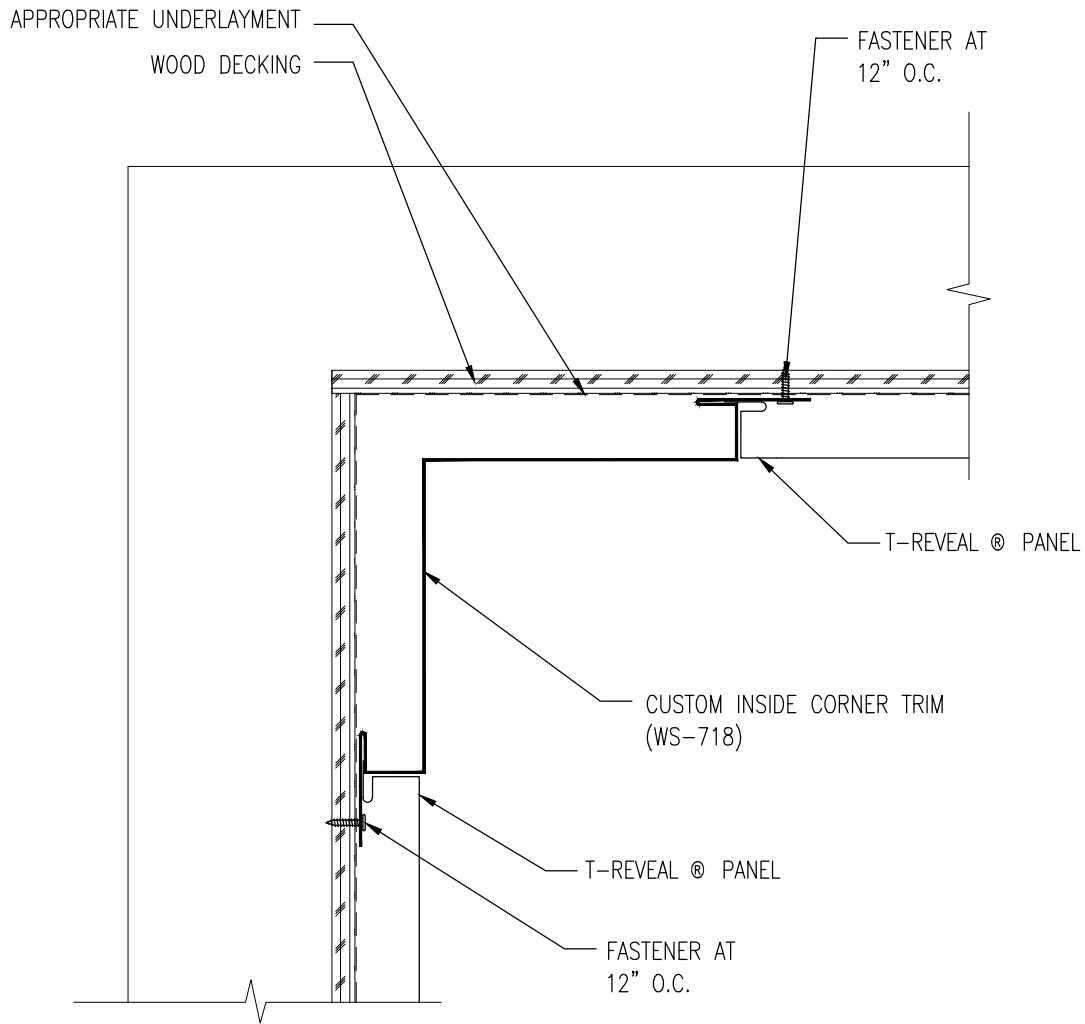


GAUGE: _____	COLOR: _____		
LENGTH: _____	FINISH: _____		
MATERIAL: _____			
CUSTOM OUTSIDE CORNER DETAIL		A	08-11-2017
		REV:	DATE:
PANEL TYPE: T-REVEAL ® PANEL		DETAIL #: TR-WSD-W16	

Western States Metal Roofing

901 W. Watkins St.
 Phoenix, AZ 85007
www.MetalForRoofing.com
www.RustedRoofing.com
www.MetalDeck.com

Phone: (602) 495-0048
 Fax: (602) 261-7726
 877-PURLINS (787-5467)

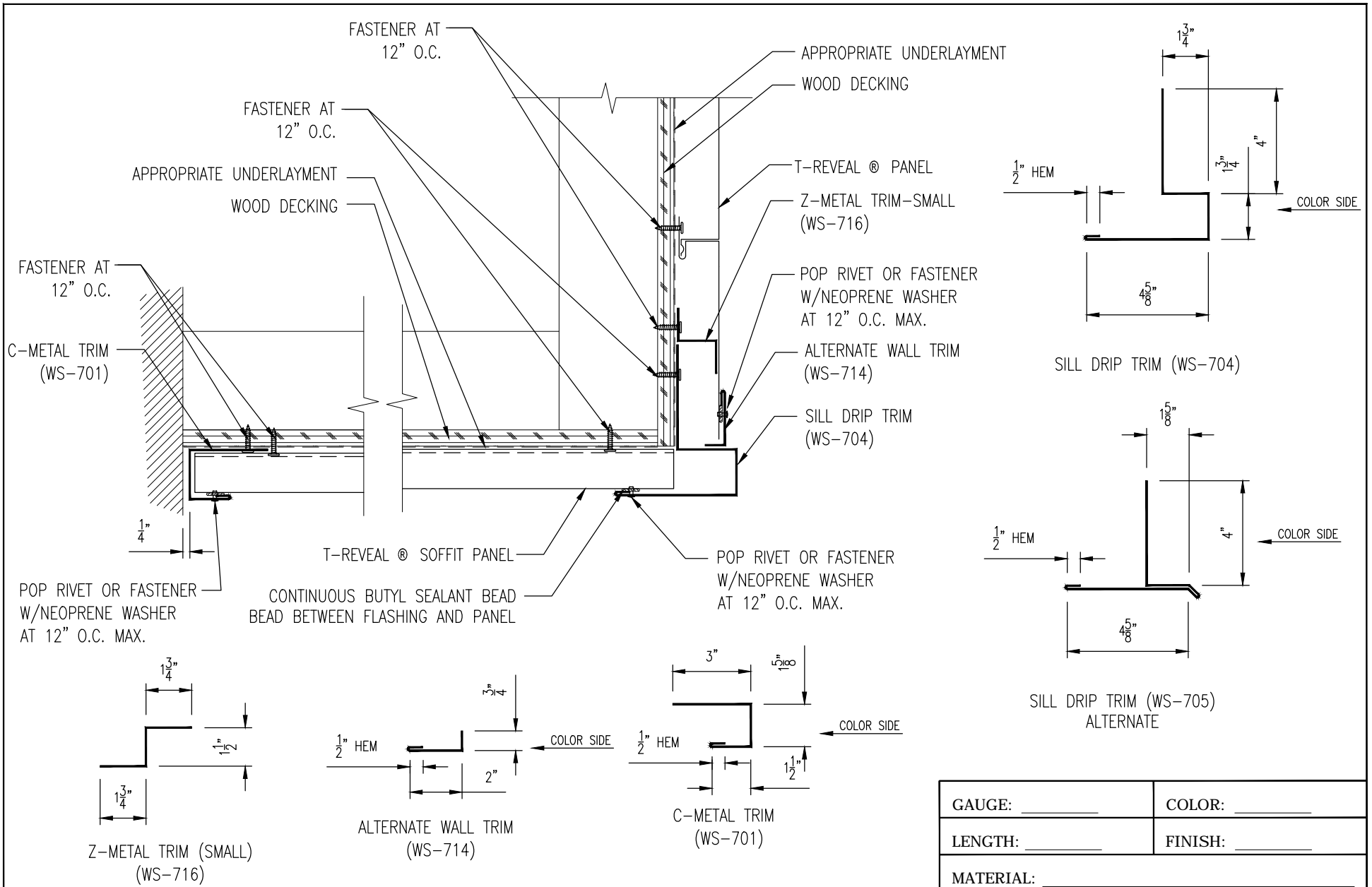


GAUGE: _____		COLOR: _____	
LENGTH: _____		FINISH: _____	
MATERIAL: _____			
CUSTOM INSIDE CORNER DETAIL			
		A	08-11-2017
PANEL TYPE: T- REVEAL ® PANEL		REV:	DATE:
		DETAIL #: TR-WSD-W17	

Western States Metal Roofing

901 W. Watkins St.
 Phoenix, AZ 85007
www.MetalForRoofing.com
www.RustedRoofing.com
www.MetalDeck.com

Phone: (602) 495-0048
 Fax: (602) 261-7726
 877-PURLINS (787-5467)

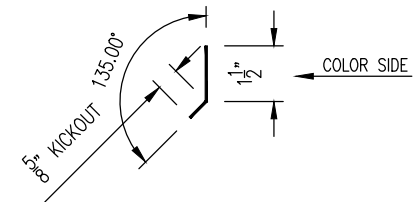
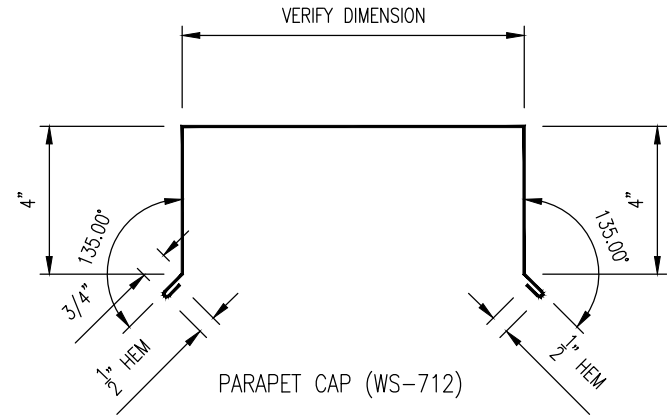
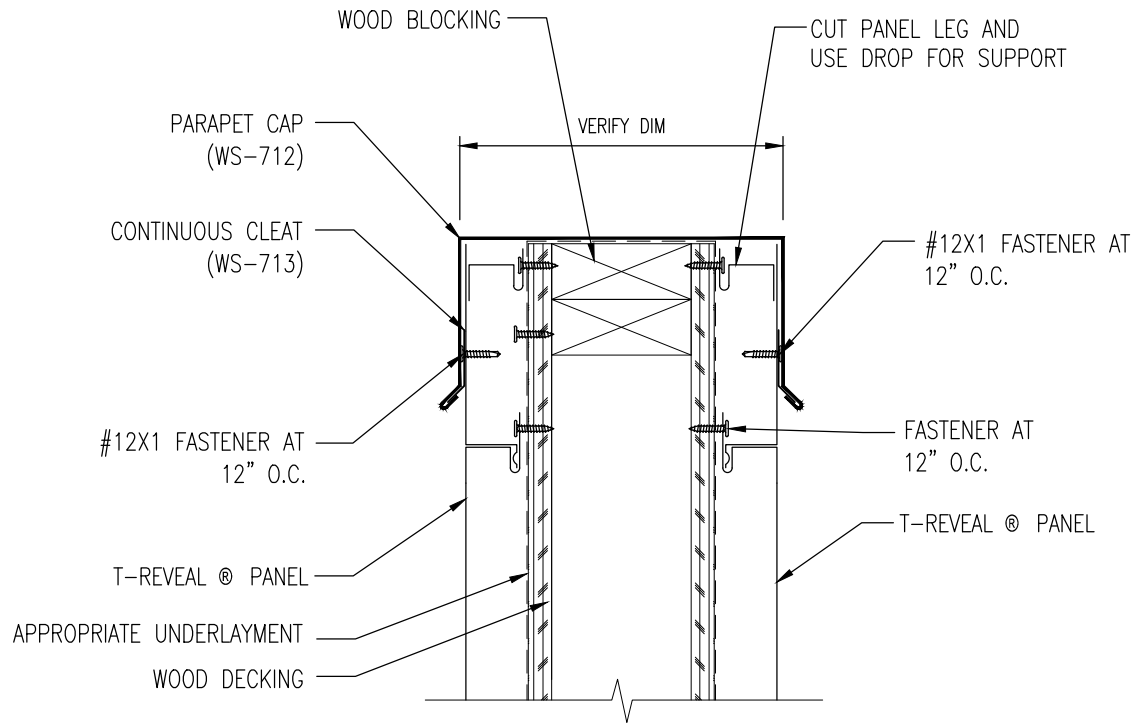


Western States Metal Roofing

901 W. Watkins St.
 Phoenix, AZ 85007
 www.MetalForRoofing.com
 www.RustedRoofing.com
 www.MetalDeck.com

Phone: (602) 495-0048
 Fax: (602) 261-7726
 877-PURLINS (787-5467)

SOFFIT TO WALL HORIZONTAL DETAIL		A	08-11-2017
PANEL TYPE: T- REVEAL® PANEL		REV:	DATE:
		DETAIL #:	TR-WSD-W18



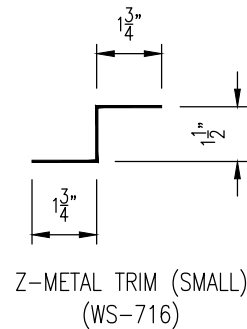
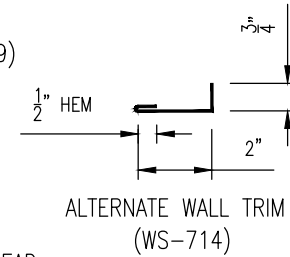
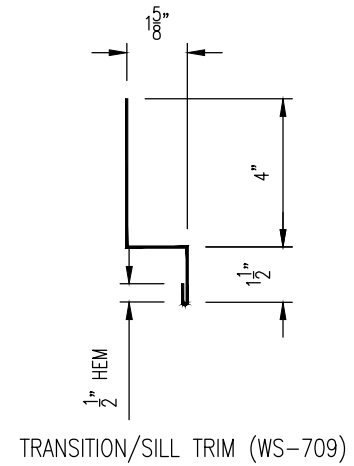
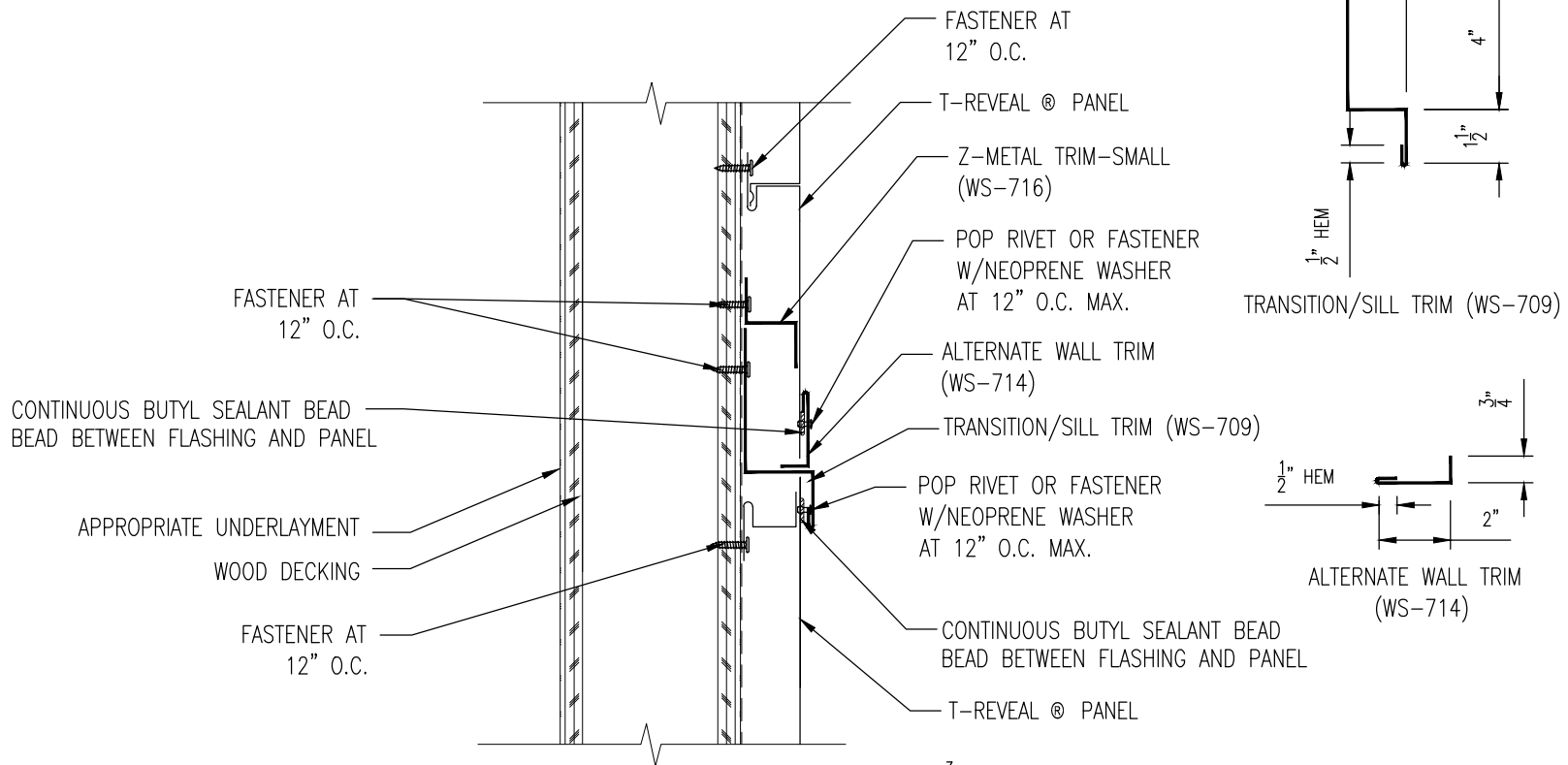
GAUGE: _____	COLOR: _____
LENGTH: _____	FINISH: _____
MATERIAL: _____	

Western States Metal Roofing

901 W. Watkins St.
 Phoenix, AZ 85007
www.MetalForRoofing.com
www.RustedRoofing.com
www.MetalDeck.com

Phone: (602) 495-0048
 Fax: (602) 261-7726
 877-PURLINS (787-5467)

PARAPET WALL HORIZONTAL DETAIL		
	A	08-11-2017
PANEL TYPE: T- REVEAL ® PANEL	REV:	DATE:
	DETAIL #: TR-WSD-W19	

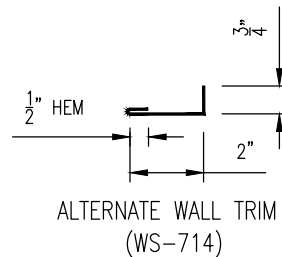
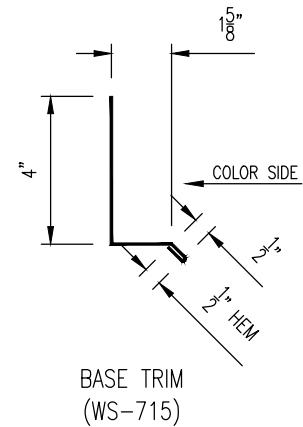
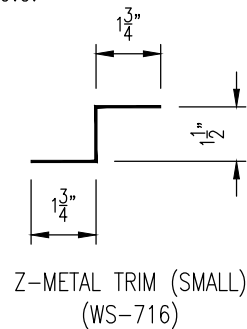
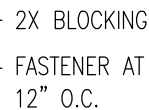
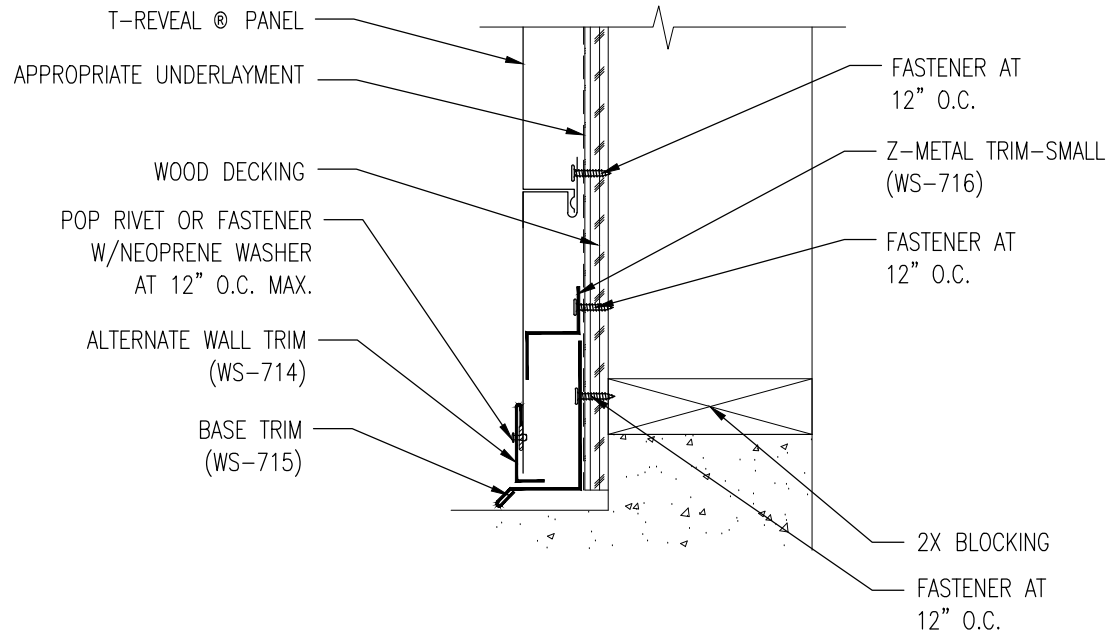


GAUGE: _____	COLOR: _____
LENGTH: _____	FINISH: _____
MATERIAL: _____	
SPLICE / SILL HORIZONTAL DETAIL	
A	08-11-2017
PANEL TYPE: T- REVEAL ® PANEL	REV: _____ DATE: _____
	DETAIL #: TR-WSD-W20

Western States Metal Roofing

901 W. Watkins St.
Phoenix, AZ 85007
www.MetalForRoofing.com
www.RustedRoofing.com
www.MetalDeck.com

Phone: (602) 495-0048
Fax: (602) 261-7726
877-PURLINS (787-5467)

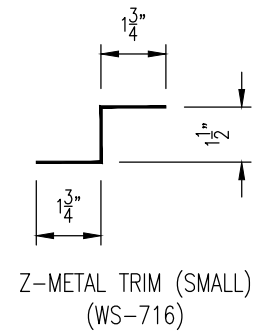
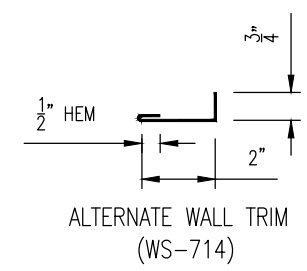
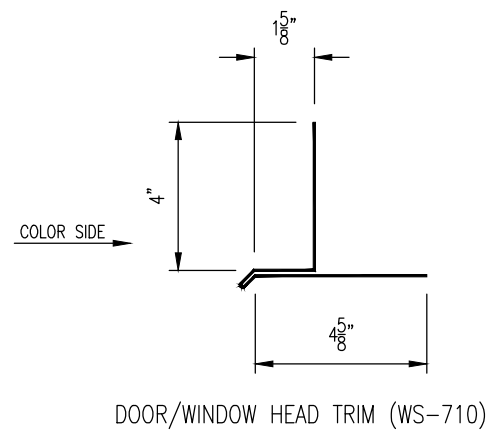
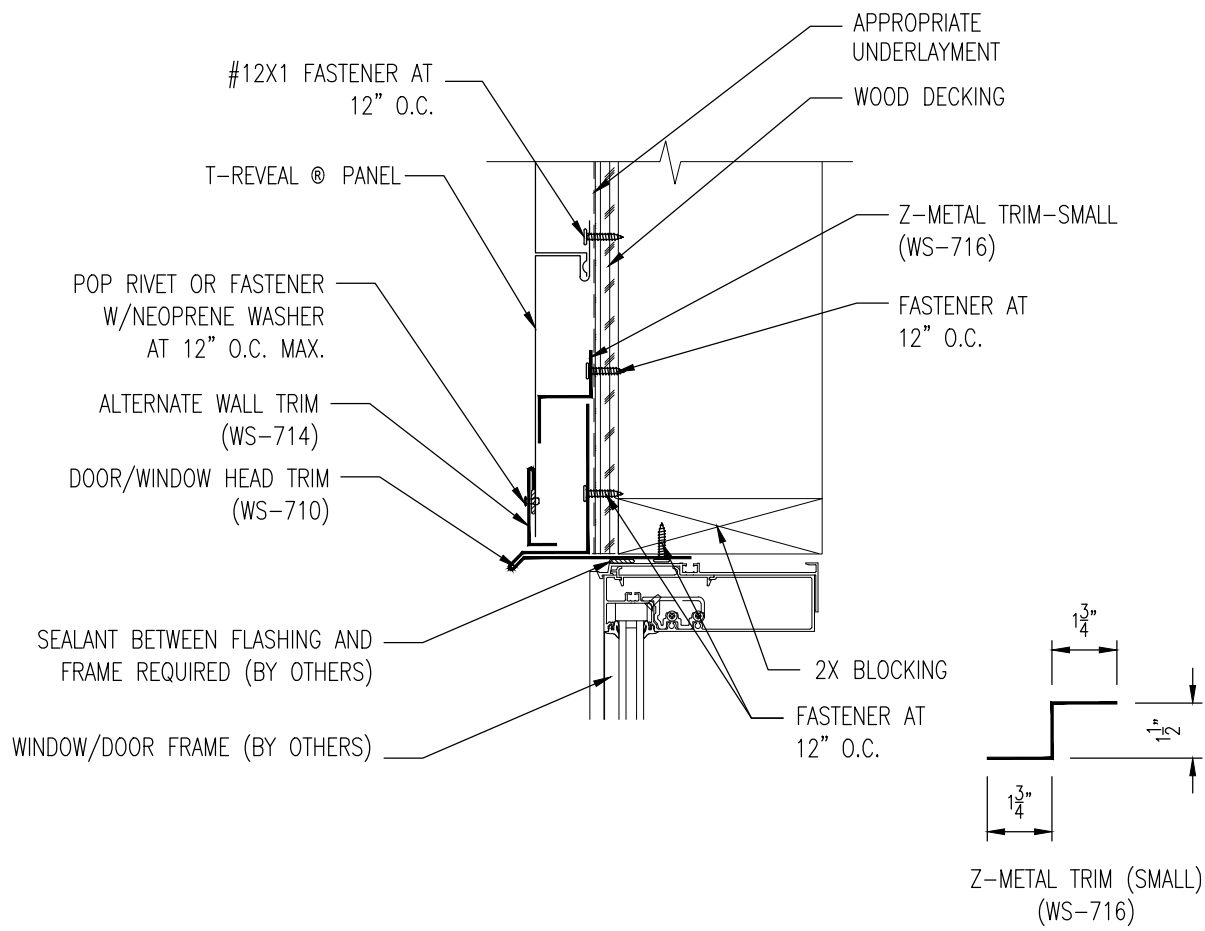


GAUGE: _____	COLOR: _____
LENGTH: _____	FINISH: _____
MATERIAL: _____	
BASE HORIZONTAL DETAIL	
	A 08-11-2017
PANEL TYPE: T- REVEAL ® PANEL	REV: _____ DATE: _____
	DETAIL #: TR-WSD-W21

Western States Metal Roofing

901 W. Watkins St.
 Phoenix, AZ 85007
www.MetalForRoofing.com
www.RustedRoofing.com
www.MetalDeck.com

Phone: (602) 495-0048
 Fax: (602) 261-7726
 877-PURLINS (787-5467)



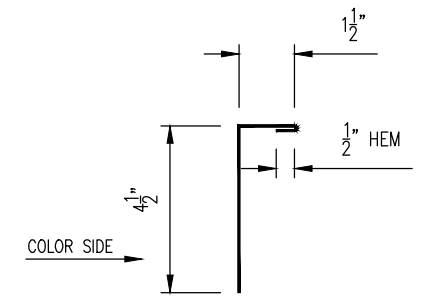
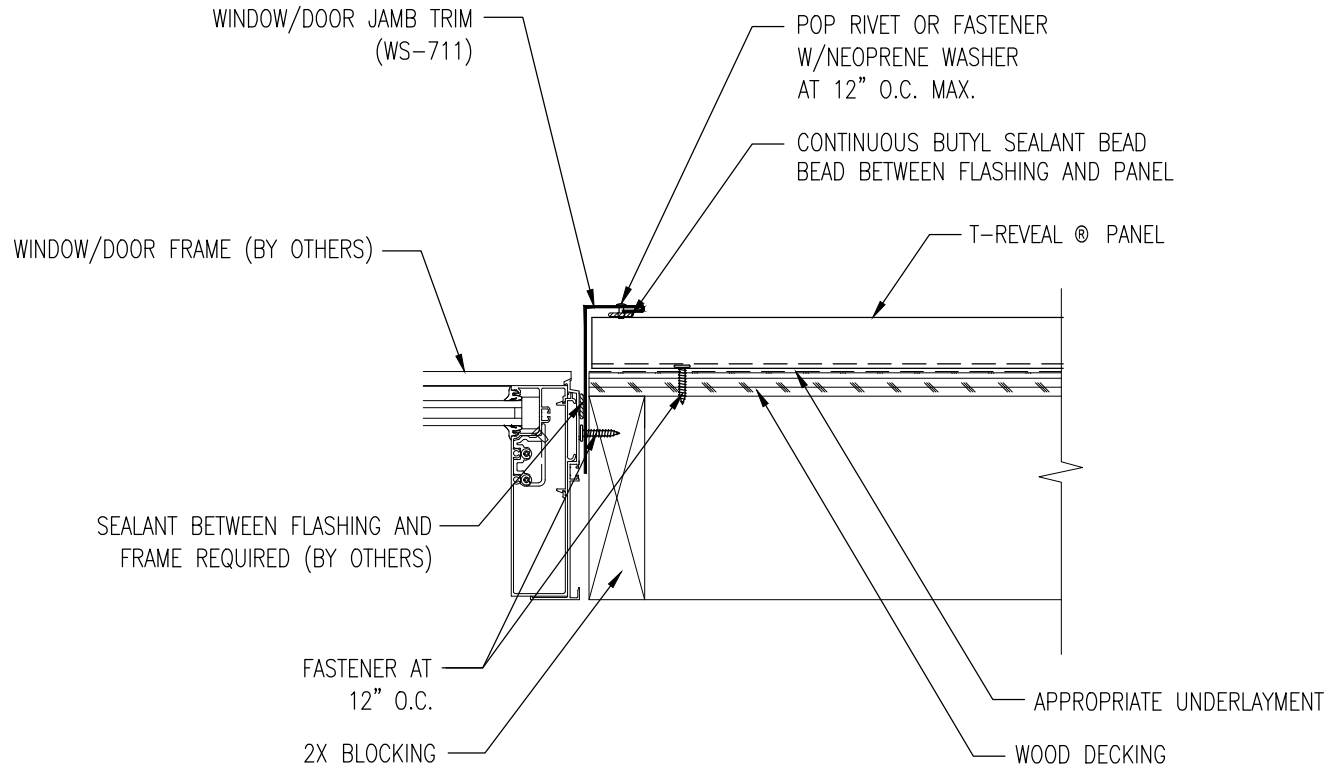
GAUGE: _____	COLOR: _____
LENGTH: _____	FINISH: _____
MATERIAL: _____	

Western States Metal Roofing

901 W. Watkins St.
 Phoenix, AZ 85007
 www.MetalForRoofing.com
 www.RustedRoofing.com
 www.MetalDeck.com

Phone: (602) 495-0048
 Fax: (602) 261-7726
 877-PURLINS (787-5467)

WINDOW / DOOR HEAD HORIZONTAL DETAIL		
	A	08-11-2017
PANEL TYPE: T- REVEAL ® PANEL	REV:	DATE:
	DETAIL #: TR-WSD-W22	



WINDOW/DOOR JAMB TRIM (WS-711)

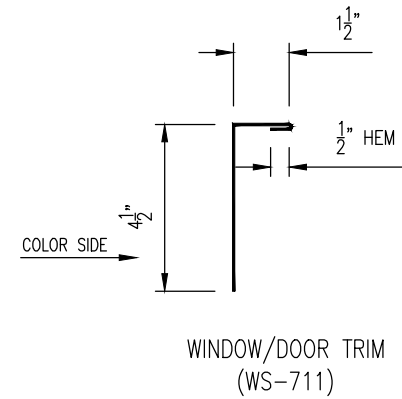
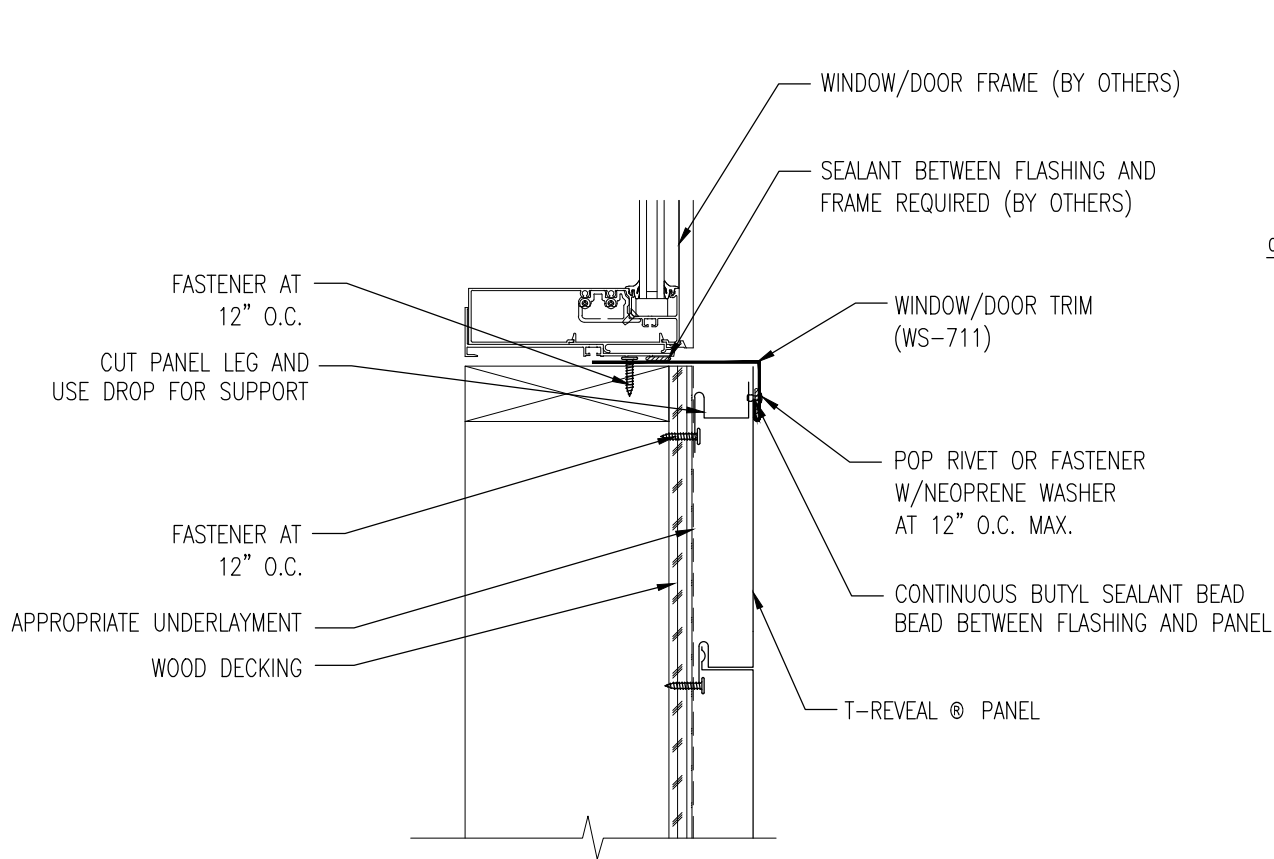
GAUGE: _____	COLOR: _____
LENGTH: _____	FINISH: _____
MATERIAL: _____	

Western States Metal Roofing

901 W. Watkins St.
 Phoenix, AZ 85007
www.MetalForRoofing.com
www.RustedRoofing.com
www.MetalDeck.com

Phone: (602) 495-0048
 Fax: (602) 261-7726
 877-PURLINS (787-5467)

WINDOW / DOOR JAMB HORIZONTAL DETAIL		
	A	08-11-2017
PANEL TYPE: T- REVEAL® PANEL	REV:	DATE:
	DETAIL #: TR-WSD-W23	



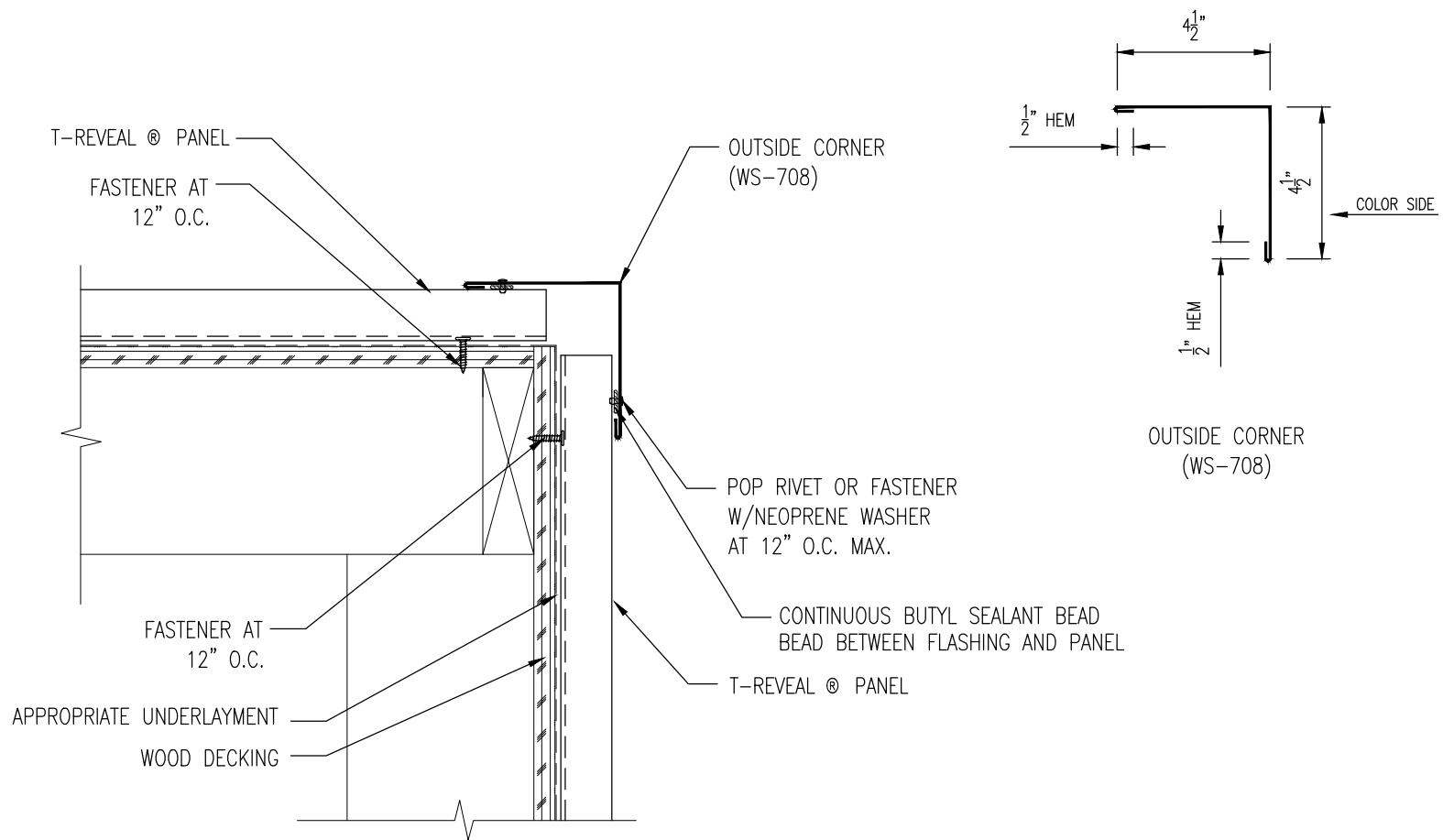
GAUGE: _____	COLOR: _____
LENGTH: _____	FINISH: _____
MATERIAL: _____	

Western States Metal Roofing

901 W. Watkins St.
 Phoenix, AZ 85007
www.MetalForRoofing.com
www.RustedRoofing.com
www.MetalDeck.com

Phone: (602) 495-0048
 Fax: (602) 261-7726
 877-PURLINS (787-5467)

WINDOW / DOOR SILL HORIZONTAL DETAIL		
	A	08-11-2017
PANEL TYPE: T- REVEAL ® PANEL	REV:	DATE:
	DETAIL #: TR-WSD-W24	

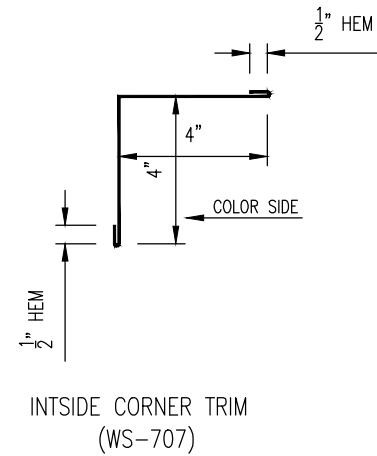
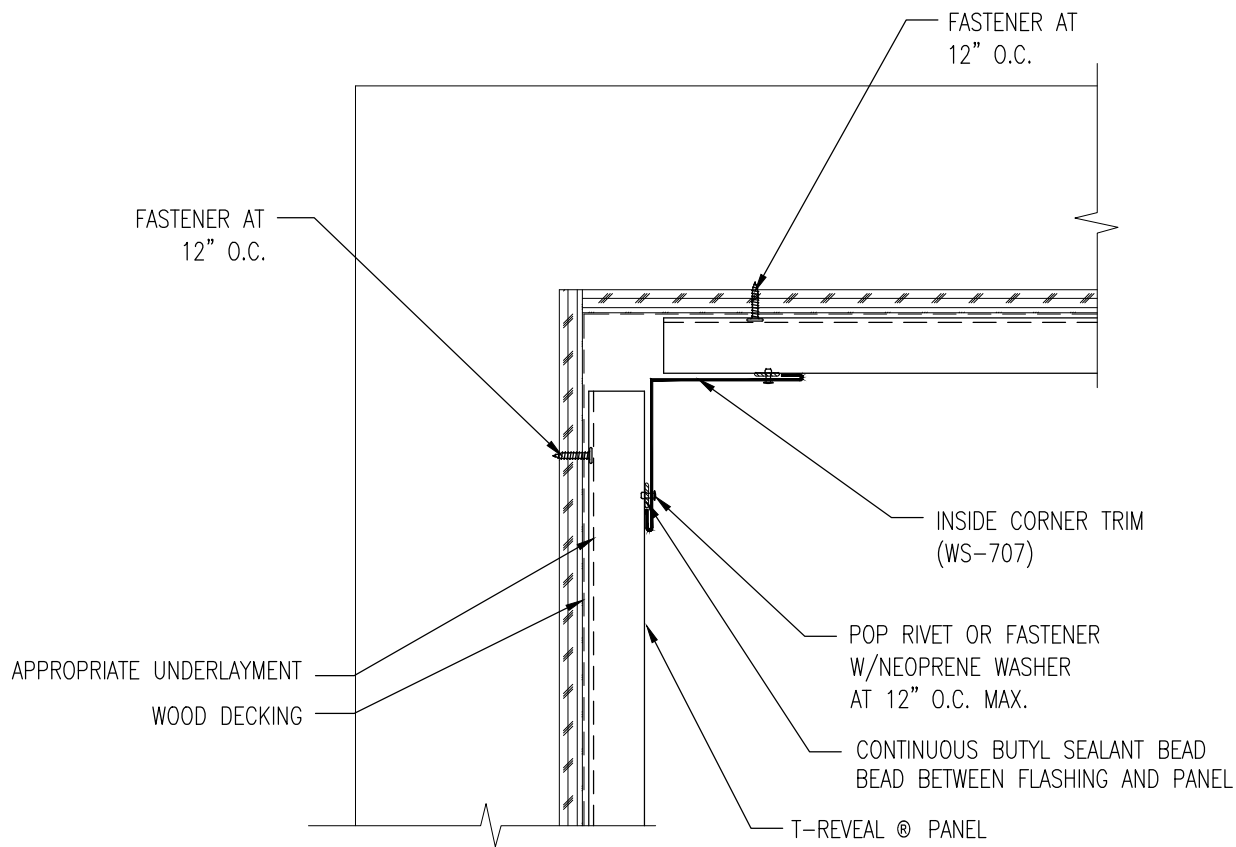


GAUGE: _____		COLOR: _____	
LENGTH: _____		FINISH: _____	
MATERIAL: _____			
OUTSIDE CORNER HORIZONTAL DETAIL			
		A	08-11-2017
PANEL TYPE: T- REVEAL ® PANEL		REV:	DATE:
		DETAIL #: TR-WSD-W25	

Western States Metal Roofing

901 W. Watkins St.
 Phoenix, AZ 85007
www.MetalForRoofing.com
www.RustedRoofing.com
www.MetalDeck.com

Phone: (602) 495-0048
 Fax: (602) 261-7726
 877-PURLINS (787-5467)



GAUGE: _____		COLOR: _____	
LENGTH: _____		FINISH: _____	
MATERIAL: _____			
INSIDE CORNER HORIZONTAL DETAIL			
		A	08-11-2017
PANEL TYPE: T- REVEAL ® PANEL		REV:	DATE:
		DETAIL #: TR-WSD-W26	

Western States Metal Roofing

901 W. Watkins St.
 Phoenix, AZ 85007
www.MetalForRoofing.com
www.RustedRoofing.com
www.MetalDeck.com

Phone: (602) 495-0048
 Fax: (602) 261-7726
 877-PURLINS (787-5467)

CUSTOM TRIM

GAUGE: _____	COLOR: _____	
BREAKS: _____	FINISH: _____	
LENGTH: _____	STRETCH OUT: _____	
MATERIAL: _____		
CUSTOM TRIM NAME: _____		
	A	08-11-2017
PANEL TYPE: T- REVEAL ® PANEL	REV:	DATE:
	DETAIL #: TR-WSD-CT	

Western States Metal Roofing

901 W. Watkins St.
 Phoenix, AZ 85007
www.MetalForRoofing.com
www.RustedRoofing.com
www.MetalDeck.com

Phone: (602) 495-0048
 Fax: (602) 261-7726
 877-PURLINS (787-5467)

Western States "T-Reveal" ® Panel

Installation, Flashings & Shop Drawing Detail Guide

Special Design Considerations

The details contained in this guide are proven industry details and are intended to be used as a design aid and installation guide. It does not depict all situations that may be encountered on all projects. Modifications are the responsibility of the designer/ owner/ installer.

Consideration should be given for Fit for Purpose, Building use, Climate conditions such as temperature, snow, wind, and moisture, Governing Building Codes, and Maintenance.

It is highly recommended that all trims and flashings be of the same material as the panels (metal, gauge, finish) to ensure long term performance and durability. Where possible, flashing edges should be hemmed to strengthen the edge and protect the cut edge from exposure.

Acceptance

Use of this manual is strictly voluntary. Details that are provided are to be used as a guide only. Details may not be applicable for all situations. This guide provides one standard detail and WSDI accepts that other installation details may be needed and other details may exist. WSDI makes no guarantee as to the Weather Tightness of the system or details found with in this guide. The information in this manual is believed to be correct and accurate at the time of printing. WSDI reserves the right to change details, discontinue products, change designs at any time without incurring obligation. It is best to consult your Design Engineer for recommendations.

Underlayment

There are many types of underlayment's on the market today. All designed with a special purpose depending on the type of Metal and profile. Many different types of metal will require a different type of underlayment, such as A606-4 (Corten) which requires a High Temperature underlayment. It is best to consult your Design Engineer for recommendations.

Snow Design

Design and dimension must be the proper width to accommodate high snow, rain, ice, and slope conditions. If possible, splices, penetrations, should be minimized in areas of high snow and ice accumulations. Details found in this manual may not pertain in areas of high snow and ice accumulations.

Panel coverage and fastening

Normal panel width of T-Reveal panels are 12". Please consult with your WSDI representative for details and fastening recommendations.

Safety and Maintenance

Extreme care should always be used when working with metals. Safety should always be a top priority and approved fall protection and equipment as approved by OSHA should always be used. No Structure is immune to severe weather or is completely maintenance free. To keep your Siding performing as it was designed; an inspection and comprehensive maintenance program should be implemented.

References

For other installation techniques and details, The Sheet Metal and Air Conditioning Contractors National Association Inc. (SMACNA) and NRCA manuals are great resource for working with sheet metal.

Technical Assistance

Contact your WSDI sales or technical representative for any additional information or assistance. To insure you have the latest information available, please inquire or visit our web sites at WWW.Metalforroofing.com



Finishes You've Never Seen Before®

WESTERN STATES METAL ROOFING

(877) 787-5467 • WESTERNSTATESMETALROOFING.COM

REQUEST A FREE METAL COLOR SAMPLE

Affordable Delivery throughout USA, Canada, and Mexico

Phoenix: 901 W Watkins St., Phoenix, AZ 85007

☎ (602) 495-0048

✉ sales@westernstatesmetalroofing.com

Tucson: 4975 E. Drexel Rd., Tucson, AZ 85706

☎ (520) 574-4247

✉ tucsonsales@westernstatesmetalroofing.com



www.facebook.com/westernstatesmetalroofing/



www.instagram.com/westernstatesmetalroofing/



www.twitter.com/weststatesmetal



www.youtube.com/westernstatesmetalroofing



www.linkedin.com/company/western-states-metal-roofing



www.pinterest.com/westernstatesmetalroofing/



www.houzz.com/pro/raynaann/western-states-metal-roofing