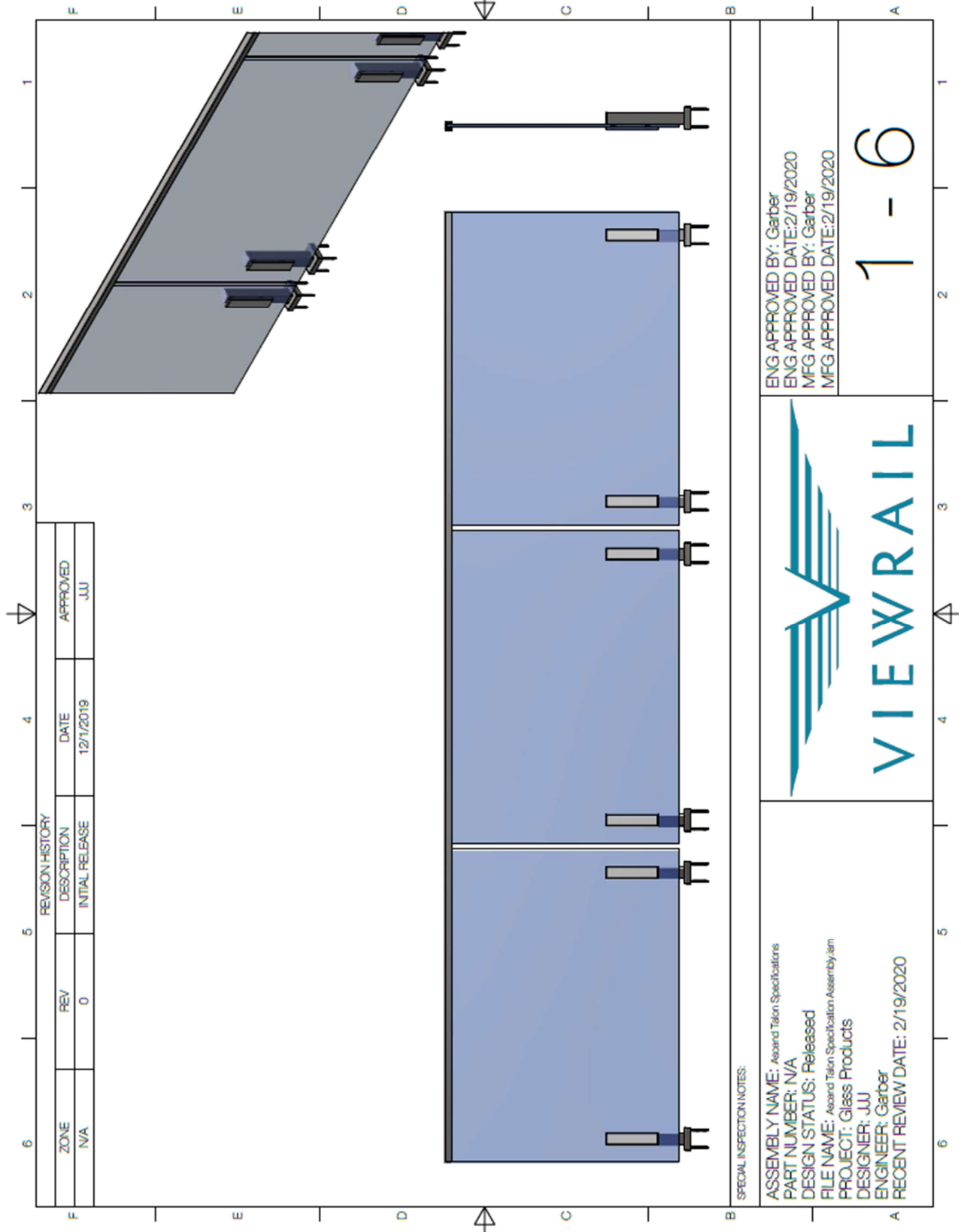
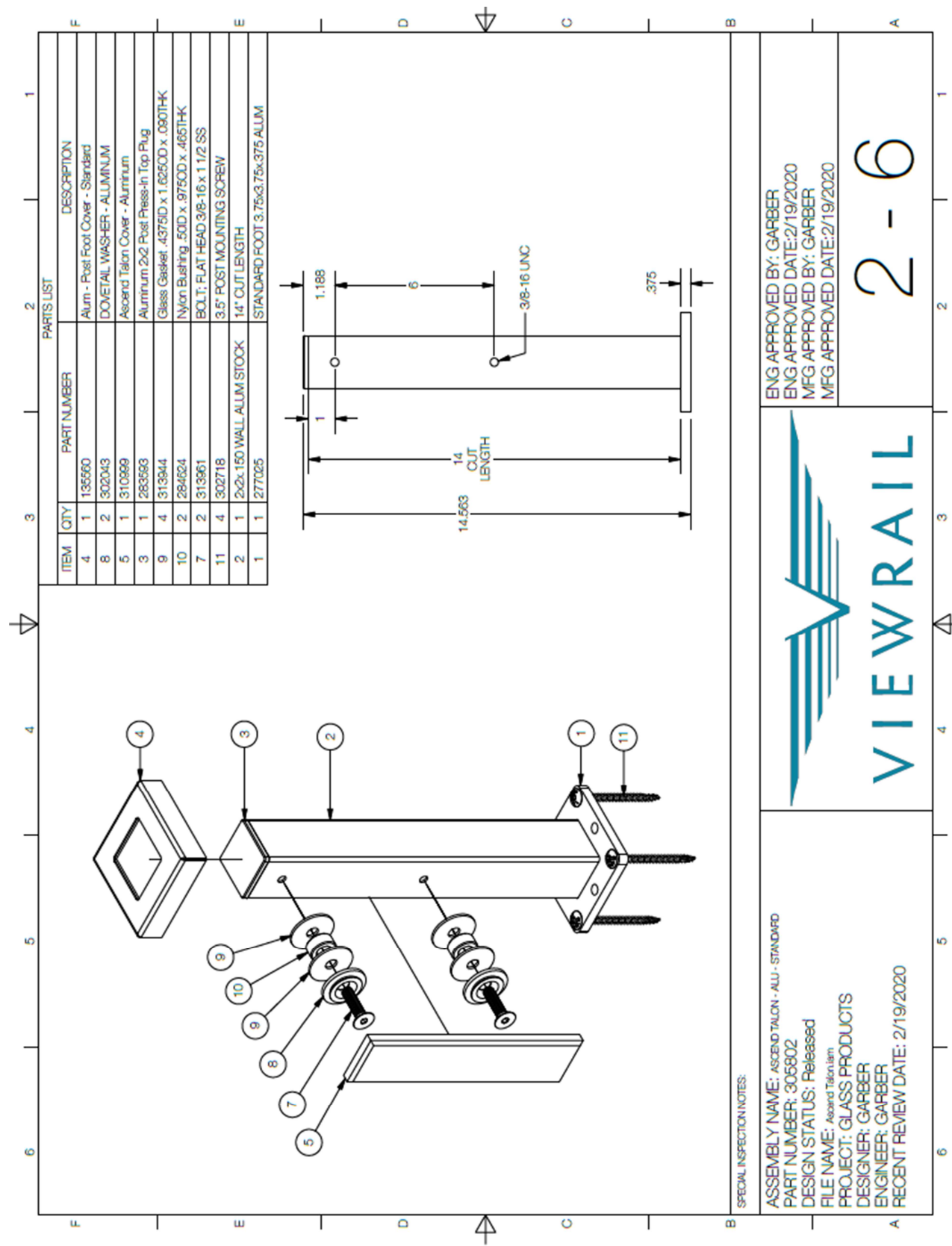


Appendix B: System Components and Drawings



Ascend Talon-Standard Foot Glass Baluster Test Report



PARTS LIST			DESCRIPTION
ITEM	QTY	PART NUMBER	
4	1	135560	Alum - Post Foot Cover - Standard
8	2	302043	DOVETAIL WASHER - ALUMINUM
5	1	310989	Ascend Talon Cover - Aluminum
3	1	283563	Aluminum 2x2 Post Press-In Top Plug
9	4	313944	Glass Gasket .4375ID x 1.625OD x .080THK
10	2	284624	Nylon Bushing .50ID x .975OD x .465THK
7	2	313961	BOLT; FLAT HEAD 3/8-16 x 1 1/2 SS
11	4	302718	3.5" POST MOUNTING SCREW
2	1	2x2x150 WALL ALUM STOCK	14" CJT LENGTH
1	1	277025	STANDARD FOOT 3.75x3.75x.375 ALUM

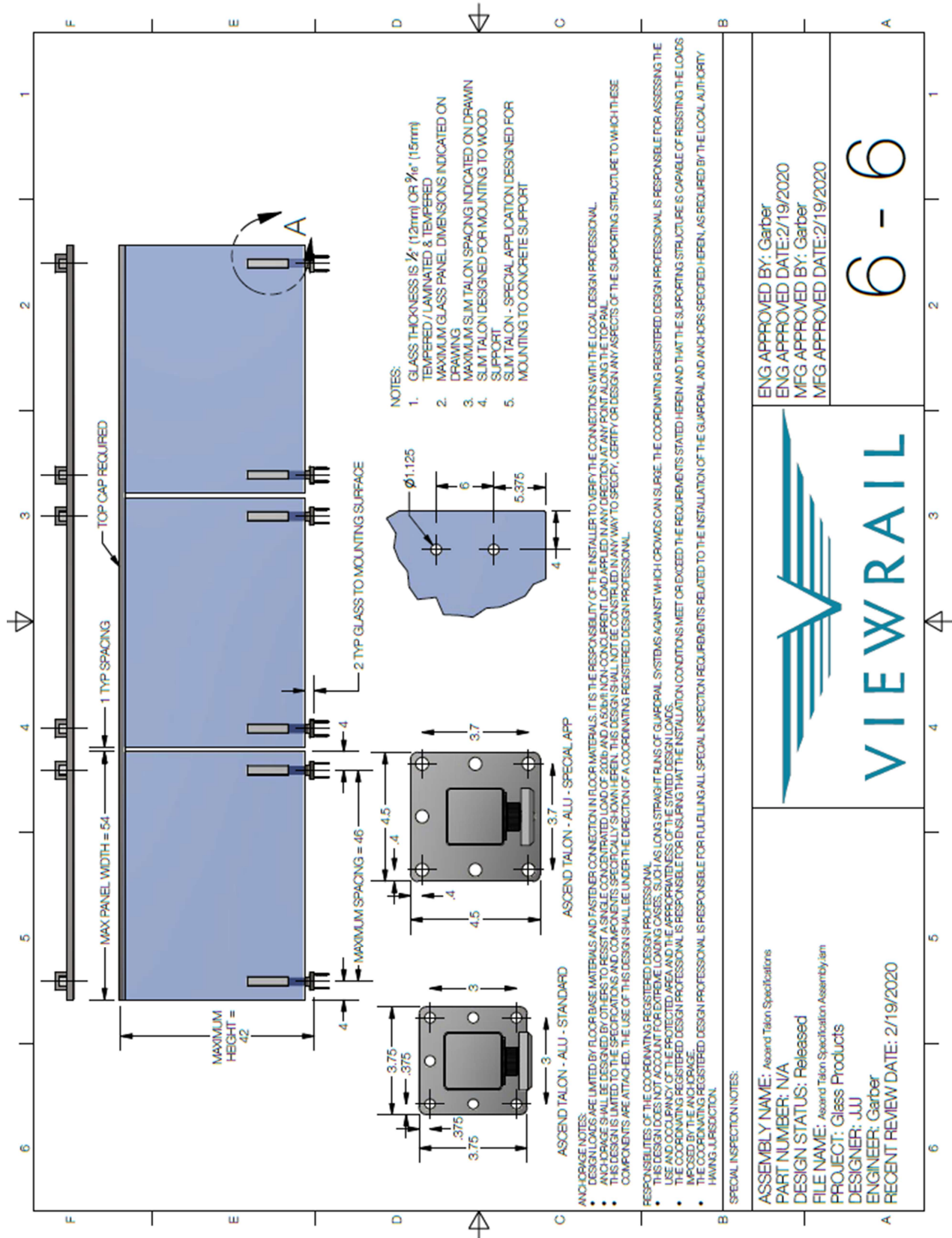
ENG APPROVED BY: GARBER
 ENG APPROVED DATE: 2/19/2020
 MFG APPROVED BY: GARBER
 MFG APPROVED DATE: 2/19/2020



2-6

SPECIAL INSPECTION NOTES:
 ASSEMBLY NAME: ASCEND TALON - ALU - STANDARD
 PART NUMBER: 305802
 DESIGN STATUS: Released
 FILE NAME: Ascend Talon.alu
 PROJECT: GLASS PRODUCTS
 DESIGNER: GARBER
 ENGINEER: GARBER
 RECENT REVIEW DATE: 2/19/2020

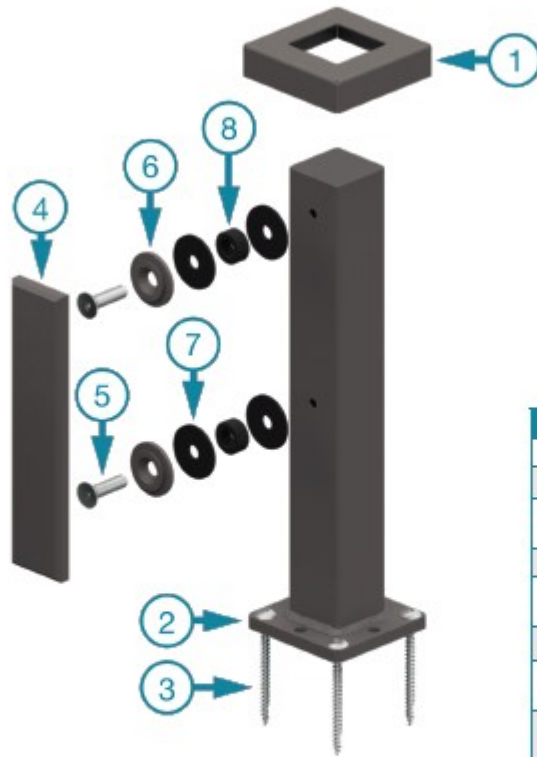
Ascend Talon-Standard Foot Glass Baluster Test Report



Appendix C: Manufacturer's Published Installation Instructions



Ascend Talons Installation Guide



ID#	Part Name
1	Foot Cover
2	Foot
3	Post Mounting Screw 3 1/2" - SS
4	Ascend Talon Cover
5	3/8-16 x 1 1/2 Hex Flat Head Bolt - SS
6	Dovetail Washer
7	Glass Gasket .4375ID x 1.625OD x .090THK
8	Nylon Bushing .50ID x .975OD x .465THK

Before You Begin

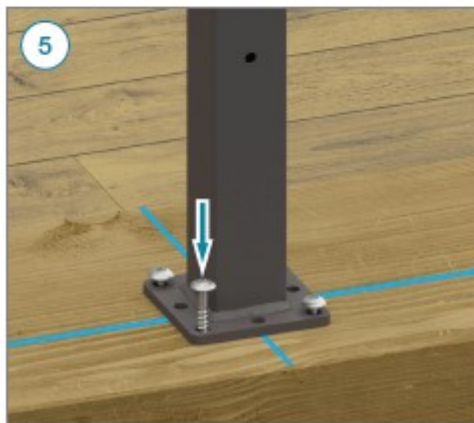
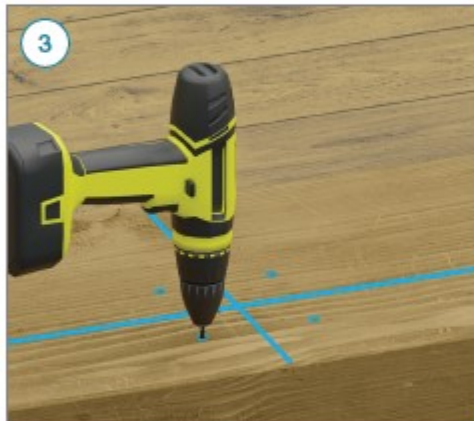
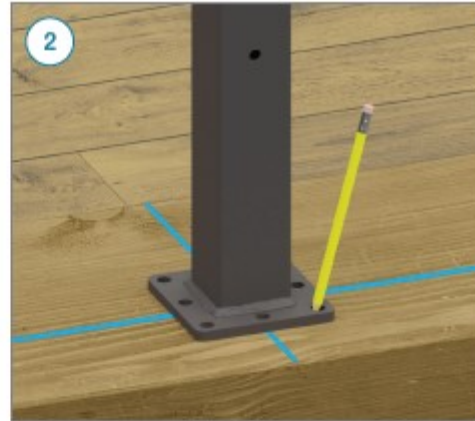
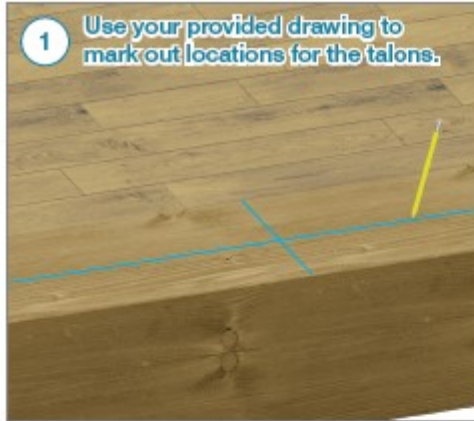
Be sure the install site's measurements match the provided drawing.

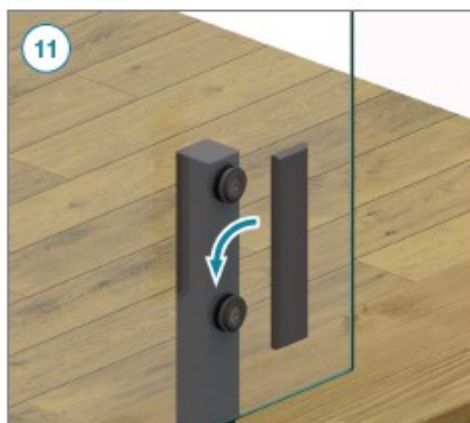
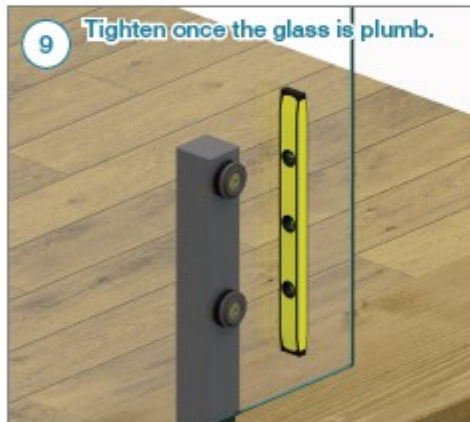
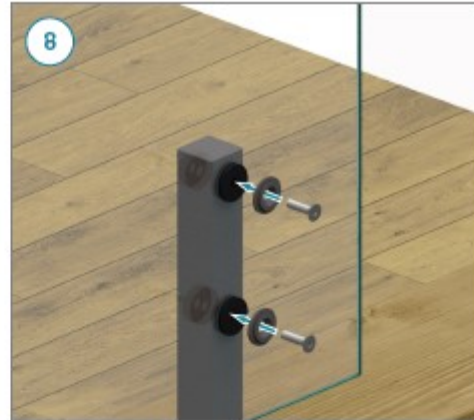
Items You'll Need

- 3/8 Hex Key
- Drill
- Drill Bit - 1/8" to 7/32" *For Wood*
- T25 Drive Bit
- Silicone
- Level

For more information or installation help, go to www.youtube.com/Viewrail

viewrail.com







Congratulations! Your Install is Done

We'd love to see your work! Snap a few pics with your phone and send them to pictures@Viewrail.com. Thanks for choosing Viewrail. Enjoy your new installation!