

BISTRO

TABLE Ø 38 IN.

ITEM 0235



TESTING STANDARDS - Upon request

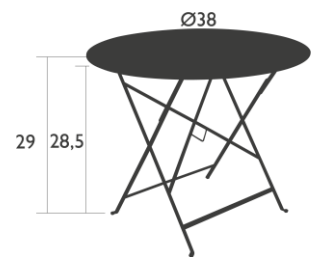
WARRANTY

	IN ALUMINUM	IN STEEL
STRUCTURAL	3 YEARS	2 YEARS
FINISH	2 YEARS	1 YEAR

TECHNICAL FEATURE - STRUCTURE

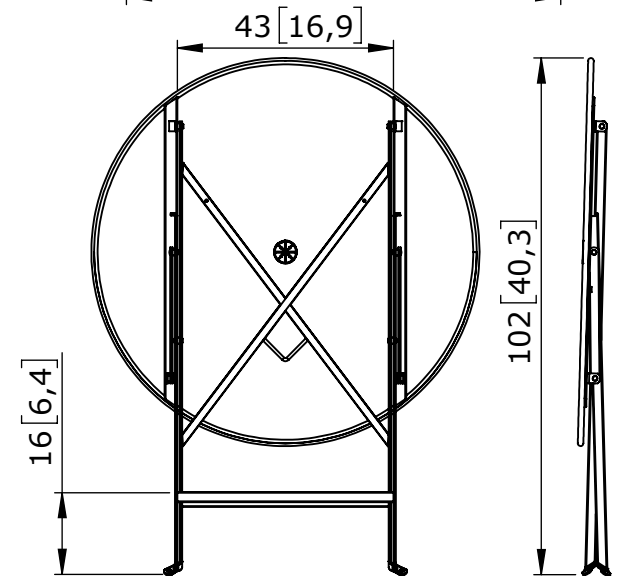
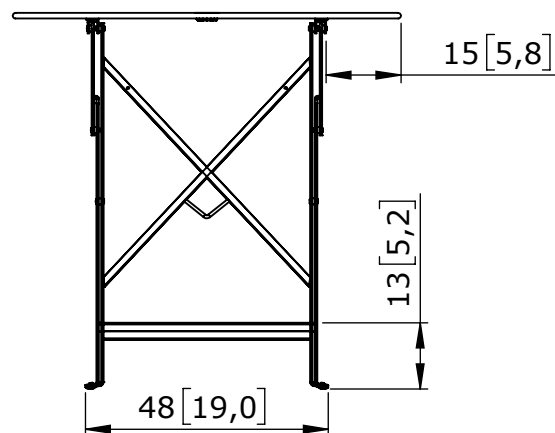
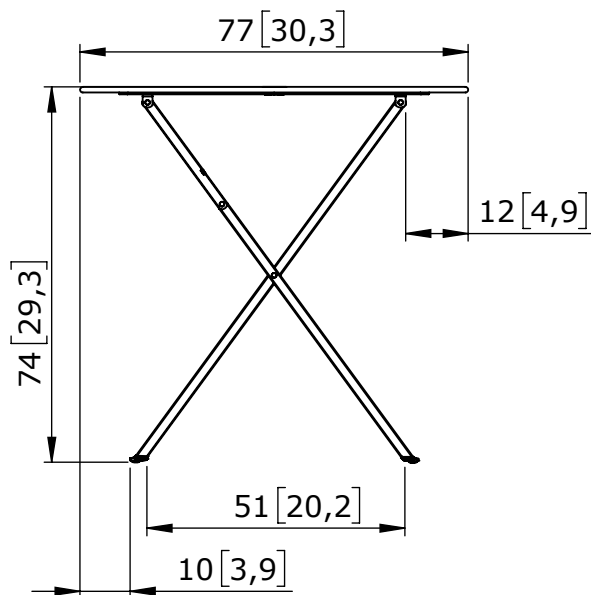
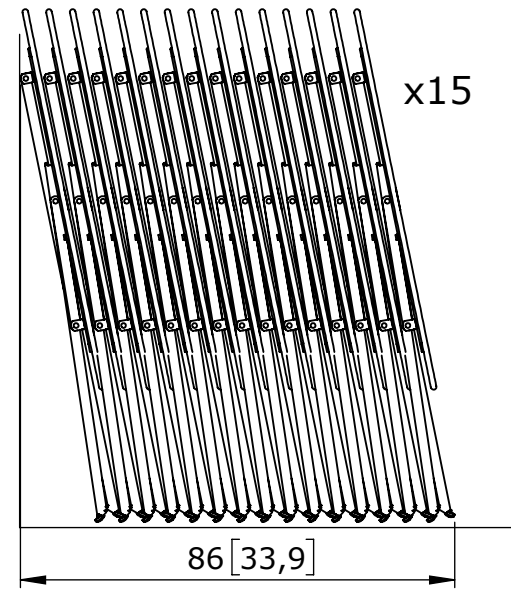
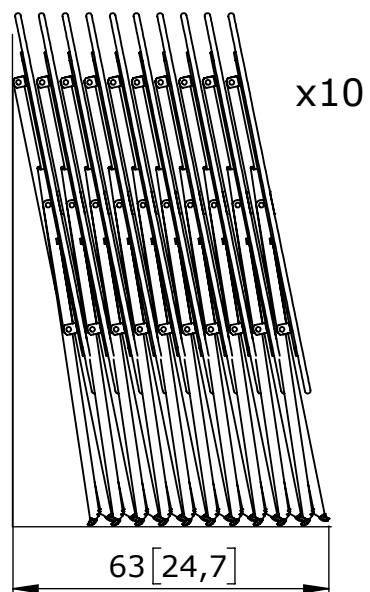
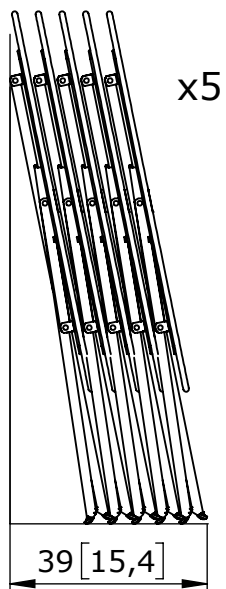


- Steel sheet table top
- Steel base
- One-piece pads




26 lb

FURTHER INFORMATION



FICHE DIMENSIONS Cm [Inch]

Weight in Kg:10	Unit:cm [inch]	Scale:1:15	Rev:A	Family Name: BISTRO	Reference: FTA_0233
 Parc Actival 01140 THOISSEY - FRANCE Tel: +33 (0) 474 04 94 88 Fax: +33 (0) 474 04 97 65		Product Name: LA TABLE 77		Created:05/05/2020	Approved:17/06/2020
		By:A.LORON	Sheet 1 / 1		