

LUXEMBOURG

CHAIR

DESIGN BY FRÉDÉRIC SOFIA

ITEM 4101



TESTING STANDARDS - Upon request

NF EN 581-1 (all products), NF EN 581-2 (seats)

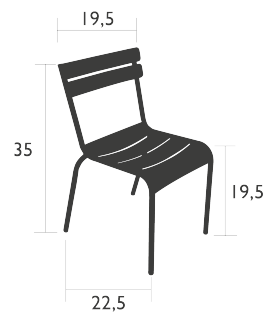
WARRANTY

	IN ALUMINUM	IN STEEL
STRUCTURAL	3 YEARS	2 YEARS
FINISH	2 YEARS	1 YEAR

TECHNICAL FEATURE - STRUCTURE



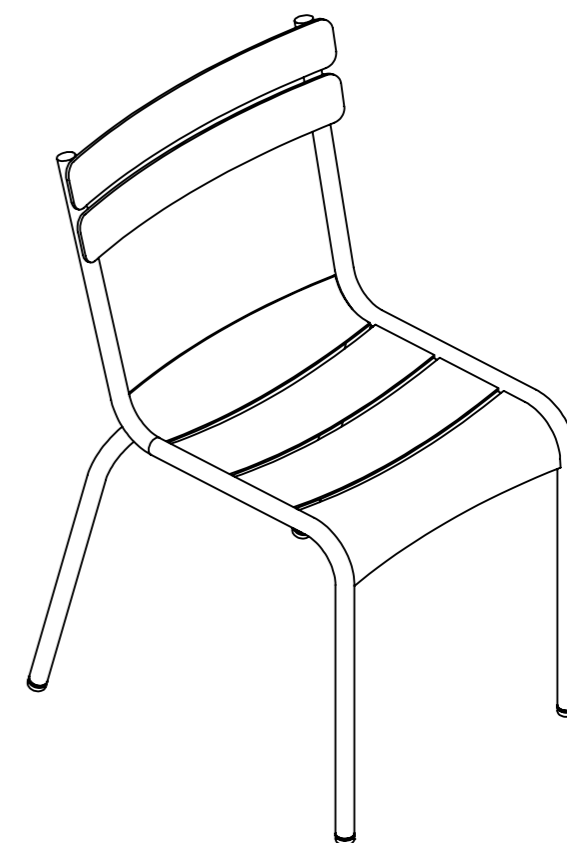
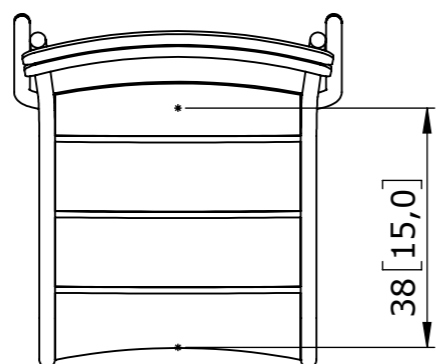
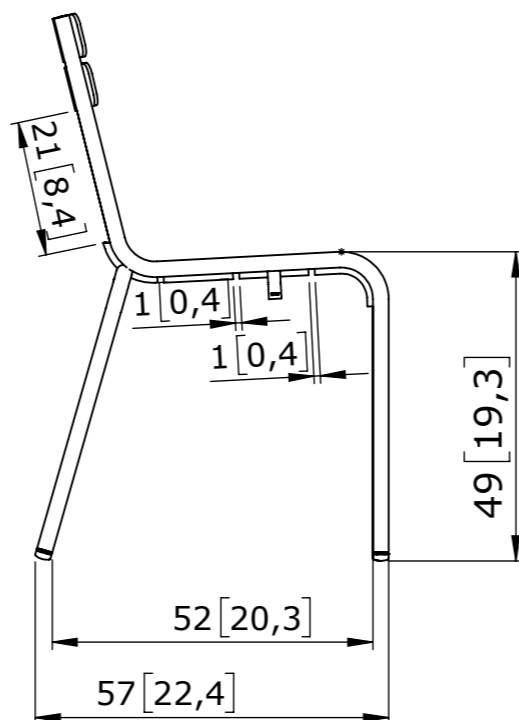
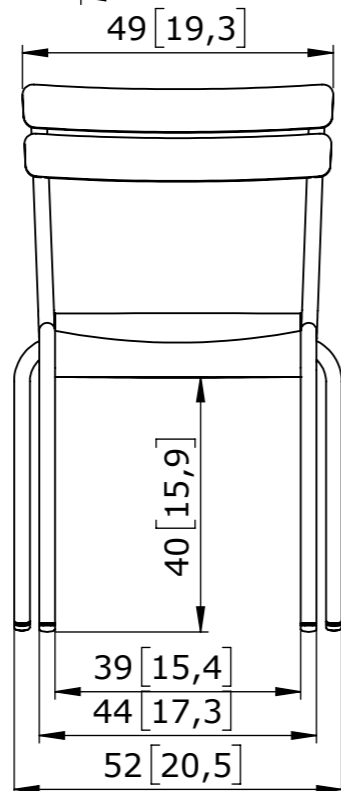
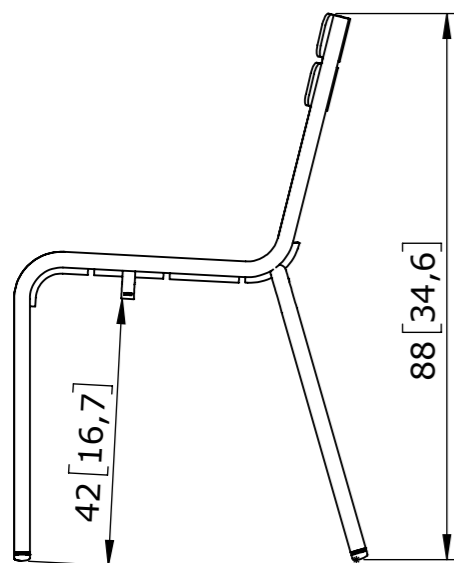
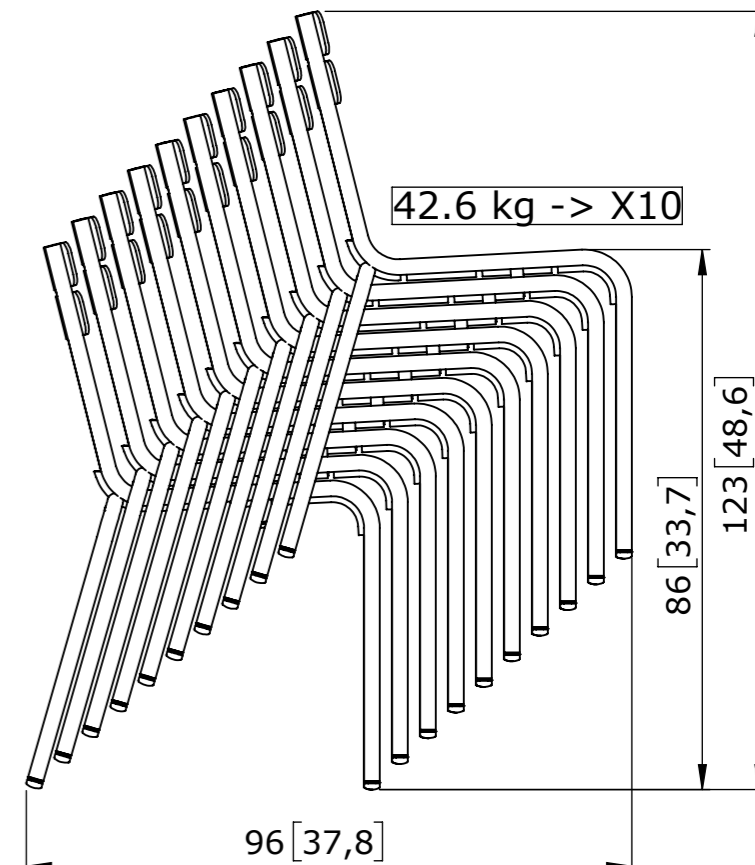
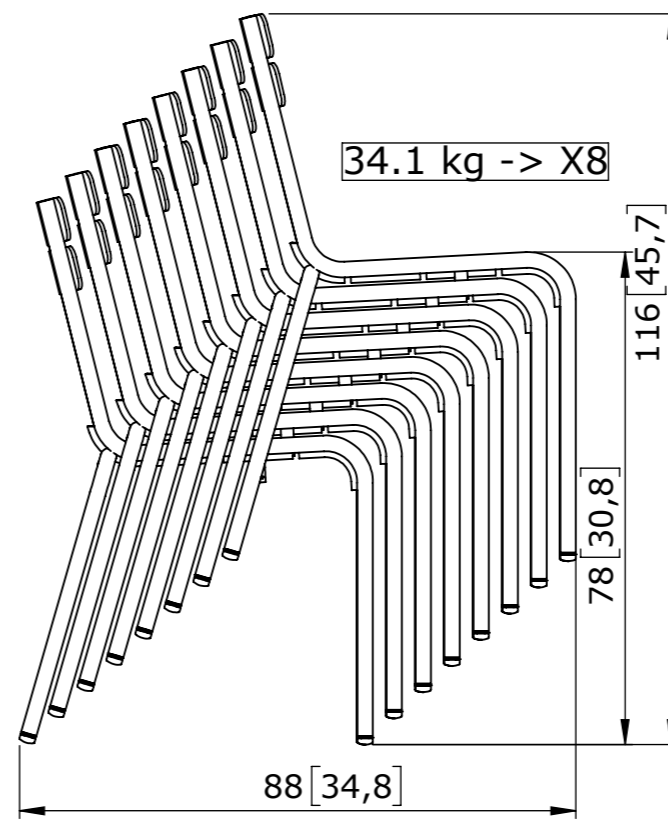
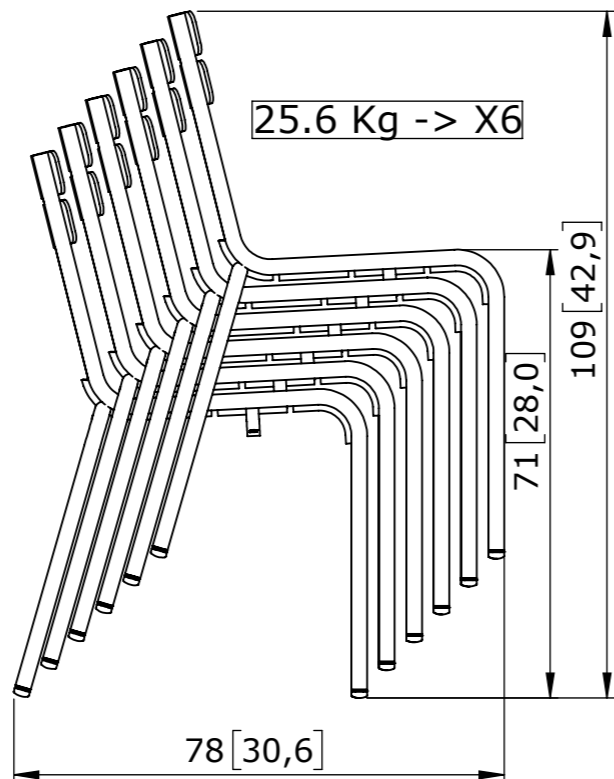
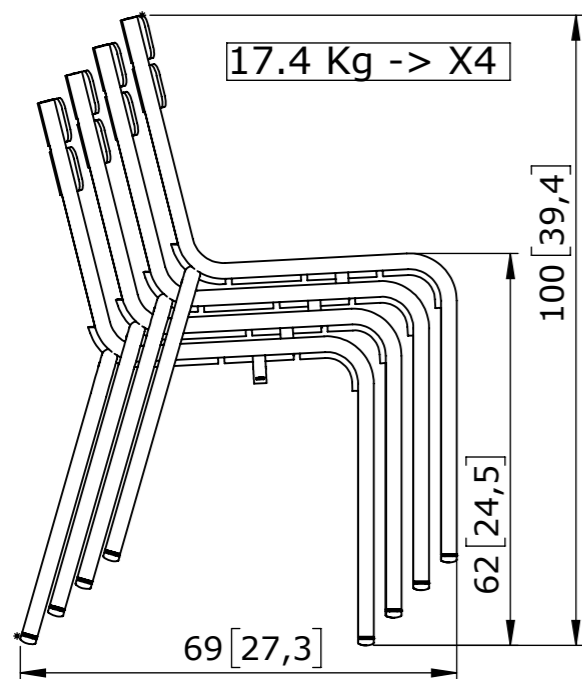
- Tubular aluminum frame
- Curved aluminum slats seat
- Curved aluminum slats backrest
- Silence pads
- Stacking capacity : x 10 (Height - stacked : 49 in.)



8 lb

FURTHER INFORMATION

- Bespoke project : Laser cutting, Ground attachment, Cable attachment, Ballasting, Special RAL, Silkscreen printing
- Spare parts : Pads



FICHE DIMENSIONS Cm [Inch]

	Scale: 1:12	Rev: A	Family Name:	Reference: FTA_4101
	Parc Actival 01140 THOISSEY - FRANCE Tel: +33 (0) 474 04 94 88 Fax: +33 (0) 474 04 97 65		Product Name: LUXEMBOURG CHAISE	
	Created: 06/08/2019	Approved: 08/08/2019	By: A.LORON	Sheet 1 / 1