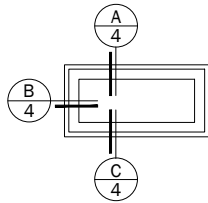
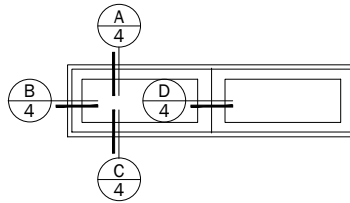


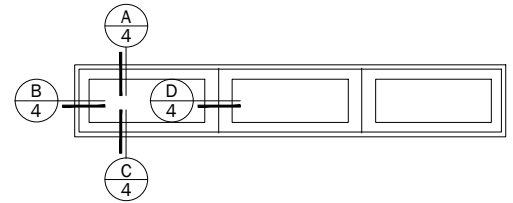
Casement & Awning Windows



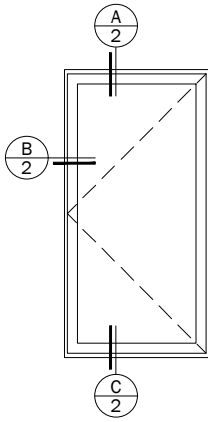
Transom



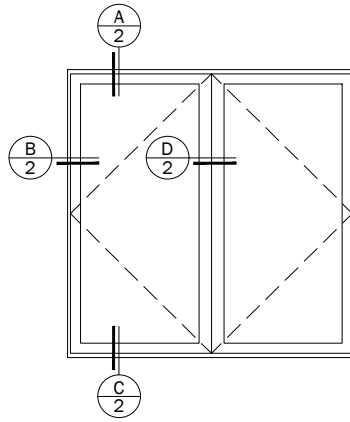
Twin Transom



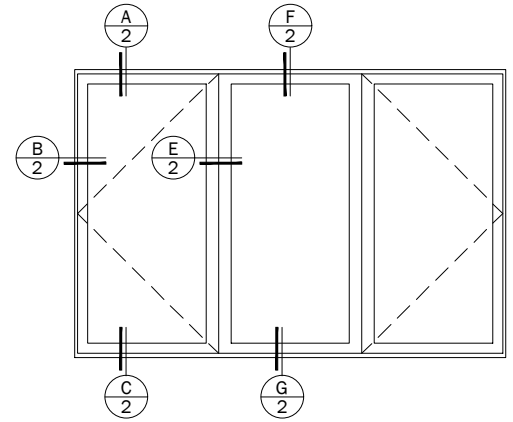
Triple Transom



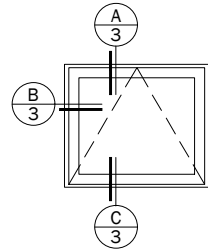
Casement



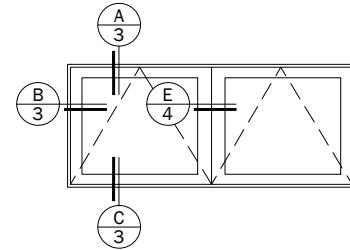
Twin Casement



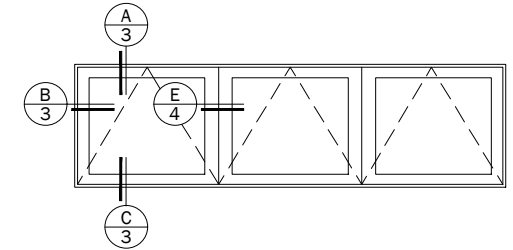
Triple Casement



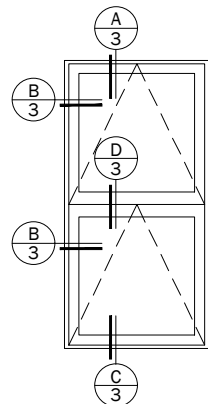
Awning



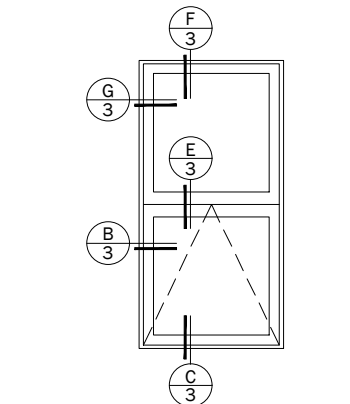
Twin Awning



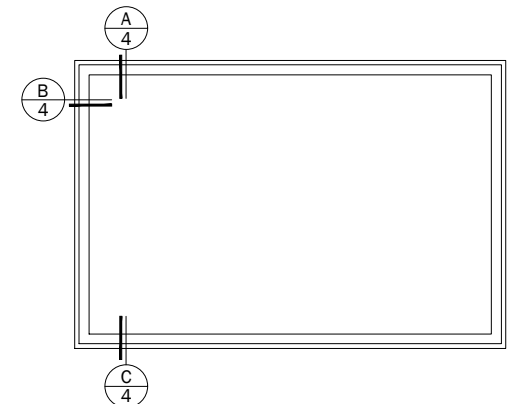
Triple Awning



Stacked Awning



Stacked Awning



Casement & Awning Picture

Notes:

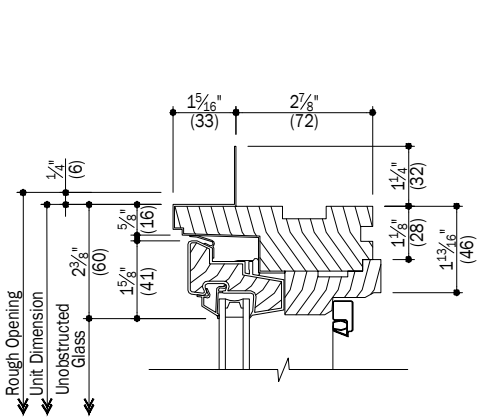
Details have been optimized for use in architectural software and do not match manufacturing specifications. Dimensions in parentheses are in millimeters.

See Pages 5 & 6 for Accessories

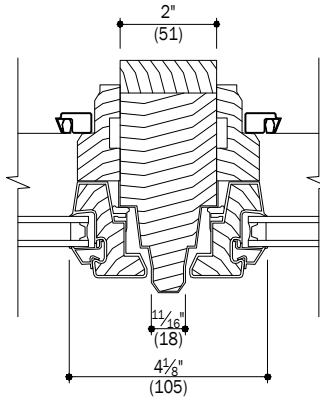
Date: 10/04/16
 Scale: None

400 SERIES

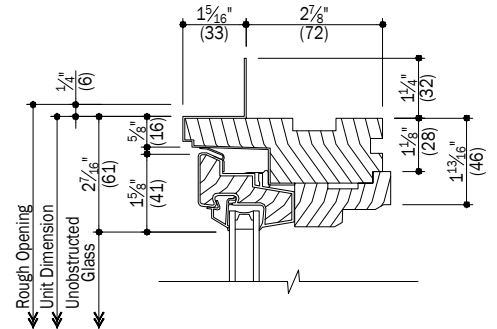
Casement & Awning Windows



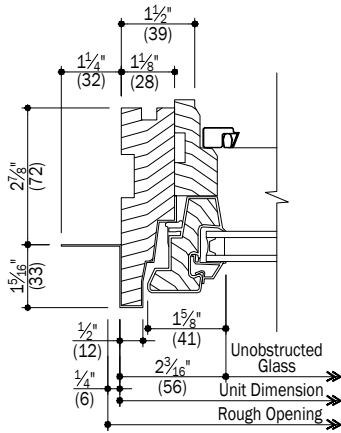
A Head
2 Operating Casement



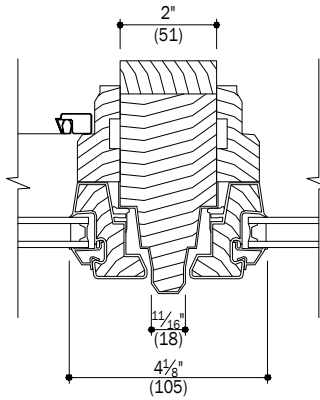
D Vertical Integral Join
2 Operating Csmt/Operating Csmt



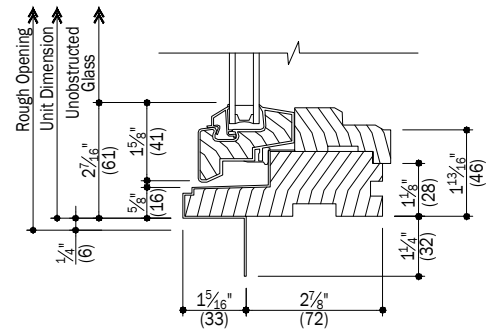
F Head
2 Stationary Casement



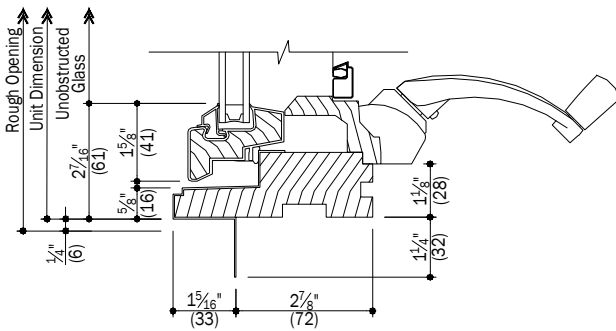
B Jamb
2 Operating Casement



E Vertical Integral Join
2 Operating Csmt/Stationary Csmt



G Sill
2 Stationary Casement



C Sill
2 Operating Casement

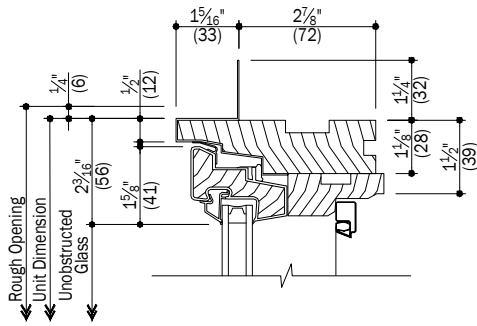
Notes:

Details have been optimized for use in architectural software and do not match manufacturing specifications. Dimensions in parentheses are in millimeters.

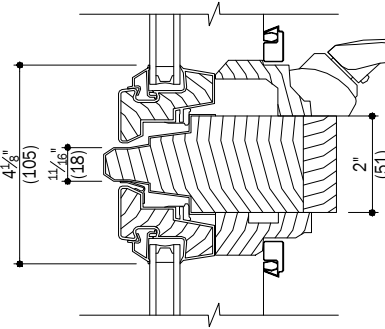
See Pages 5 & 6 for Accessories

400 SERIES

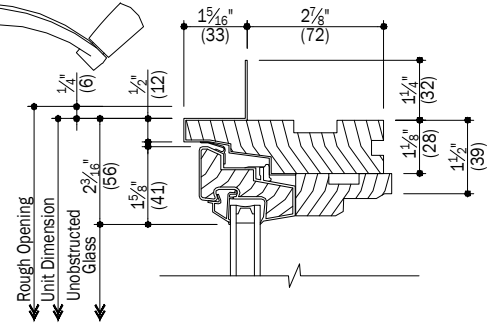
Casement & Awning Windows



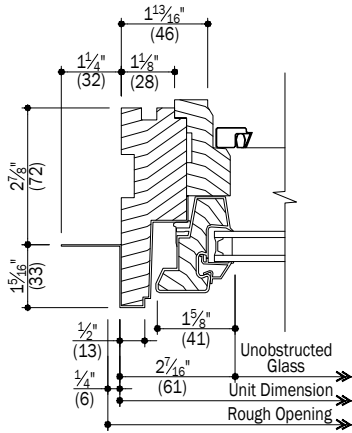
A Head
3 Operating Awning



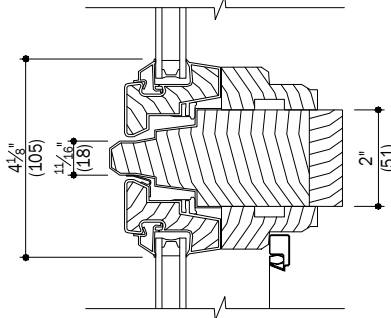
D Horizontal Integral Join
3 Operating Awning/Operating Awning



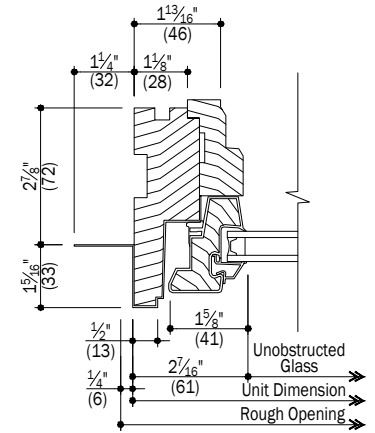
F Head
3 Stationary Awning



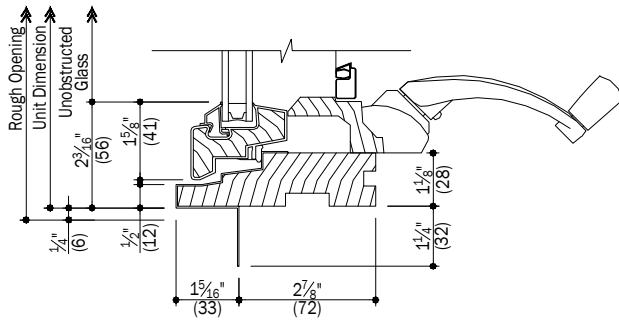
B Jamb
3 Operating Awning



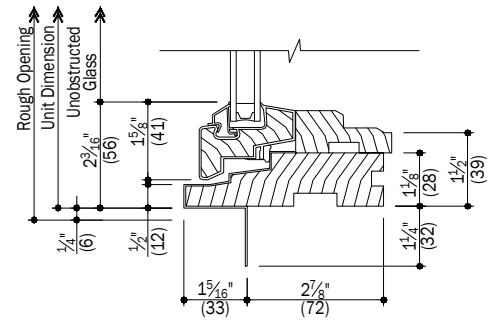
E Horizontal Integral Join
3 Stationary Awning/Operating Awning



G Jamb
3 Stationary Awning



C Sill
3 Operating Awning



H Sill
3 Stationary Awning

Notes:

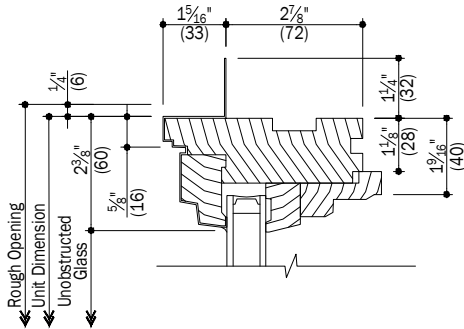
Details have been optimized for use in architectural software and do not match manufacturing specifications. Dimensions in parentheses are in millimeters.

See Pages 5 & 6 for Accessories

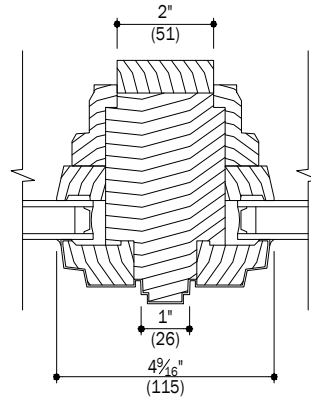
Date: 10/04/16
Scale: 3" (76) = 1' (305)

400 SERIES

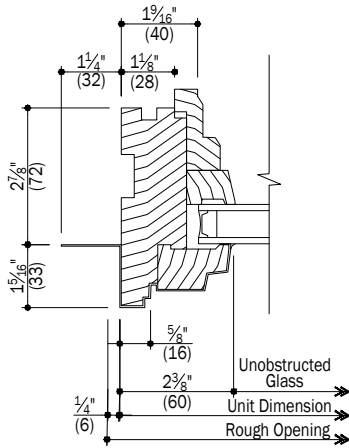
Casement & Awning Windows



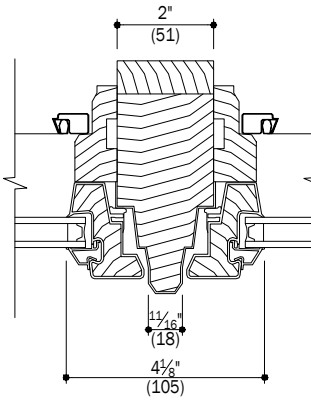
A Head
4 Fixed



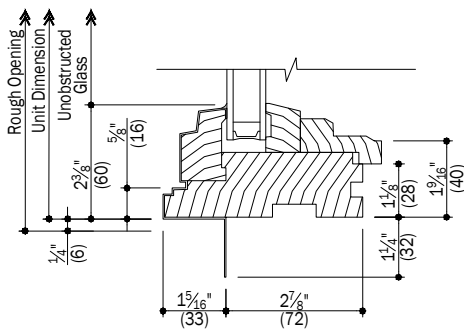
D Vertical Integral Join
4 Fixed/Fixed



B Jamb
4 Fixed



E Vertical Integral Join
4 Operating Awn/Operating Awn



C Sill
4 Fixed

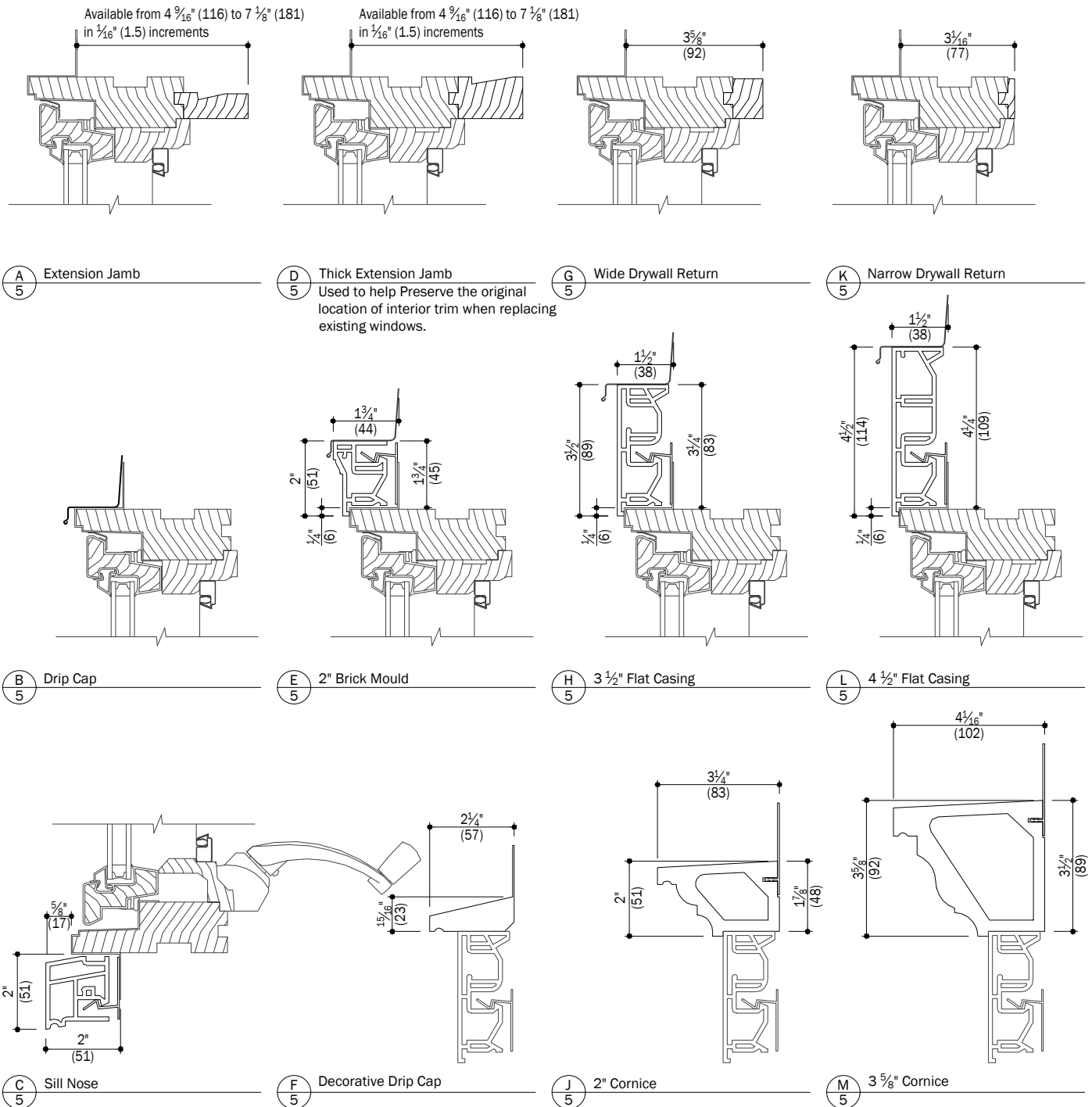
Notes:

Details have been optimized for use in architectural software and do not match manufacturing specifications. Dimensions in parentheses are in millimeters.

See Pages 5 & 6 for Accessories

400 SERIES

Casement & Awning Windows Accessories

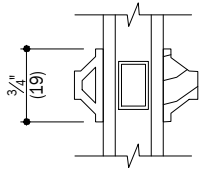


Notes:

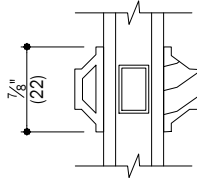
Details have been optimized for use in architectural software and do not match manufacturing specifications. Dimensions in parentheses are in millimeters.

400 SERIES

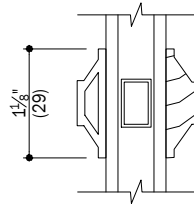
Casement & Awning Windows Accessories



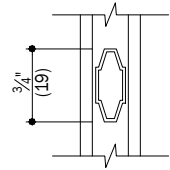
A
6 3/4" Full Divided Light



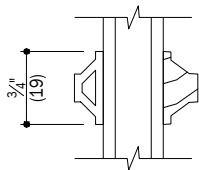
E
6 7/8" Full Divided Light



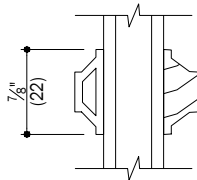
J
6 1 1/8" Full Divided Light



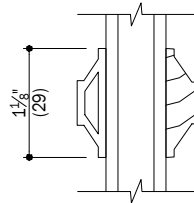
M
6 3/4" Finelight



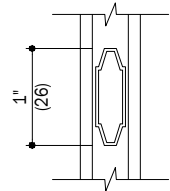
B
6 3/4" Simulated Divided Light
Removable interior is available



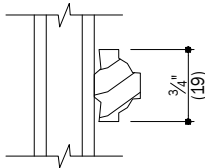
F
6 7/8" Simulated Divided Light
Removable interior is available



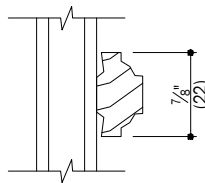
K
6 1 1/8" Simulated Divided Light
Removable interior is available



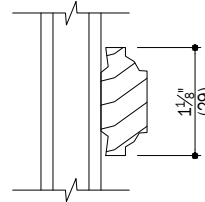
N
6 1" Finelight



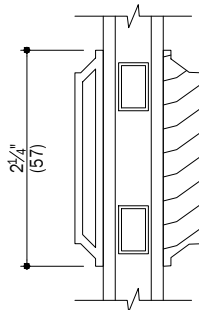
C
6 3/4" Removable Interior Grille



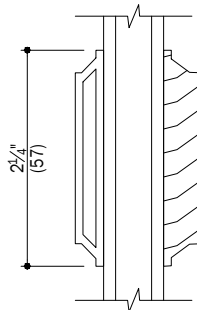
G
6 7/8" Removable Interior Grille



L
6 1 1/8" Removable Interior Grille



D
6 2 1/4" Full Divided Light
Simulated check rail



H
6 2 1/4" Simulated Divided Light
Simulated check rail

Notes:

Details have been optimized for use in architectural software and do not match manufacturing specifications. Dimensions in parentheses are in millimeters.