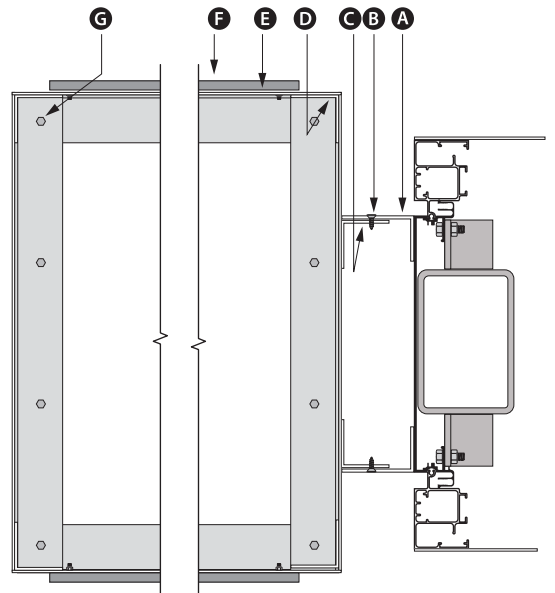
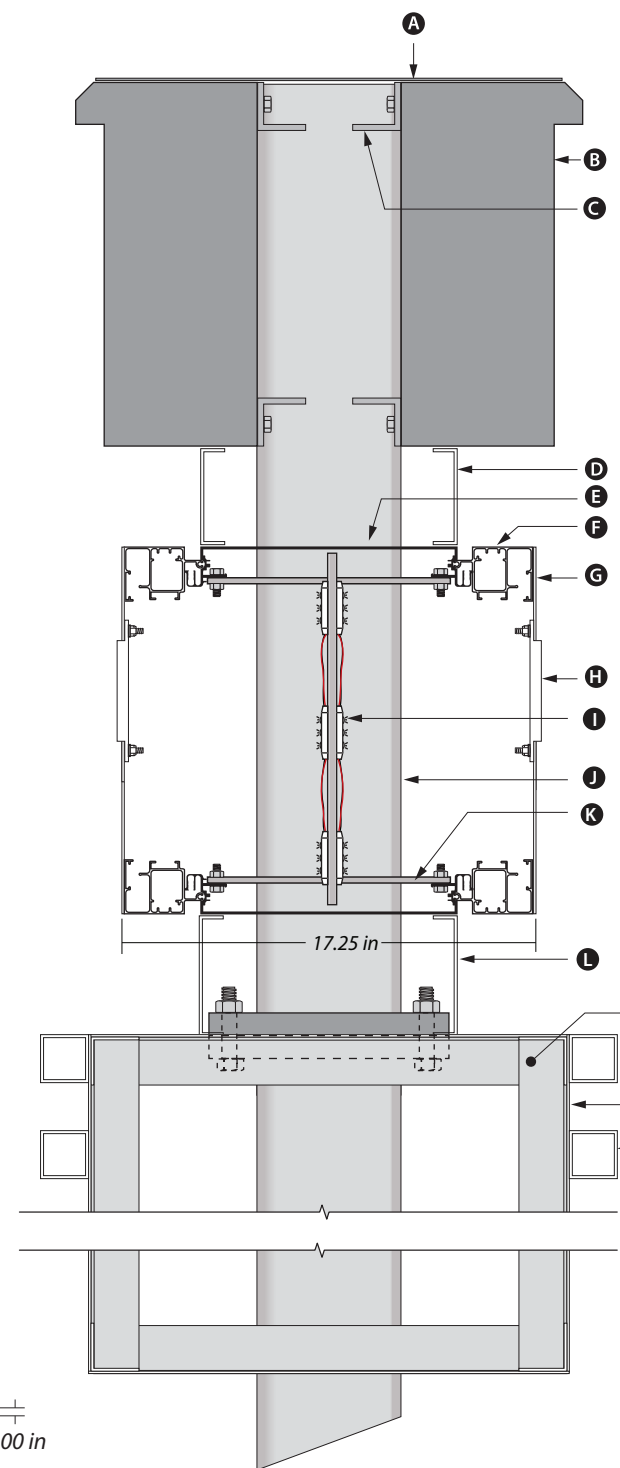


**SIDE VIEW**  
Removable access cover



**Top View Side Cabinet**  
(Scale: 1-1/2" = 1')

- SIDE CABINETS:**
- A - 3" w brakeform angle (122" h reveal)
  - B - Countersink screws
  - C - 2" x 2" x .125" alum. angle
  - D - 2" x 2" x .125" alum. angle frame construction
  - E - .100" alum. sheeting
  - F - .375" alum plate accent, stud mount flush
  - G - Tek screw to top of base
- Access holes required on sides for mounting to top of base



**Side View Cross Section**  
(Scale: 1-1/2" = 1')

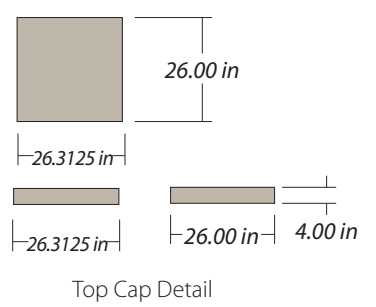
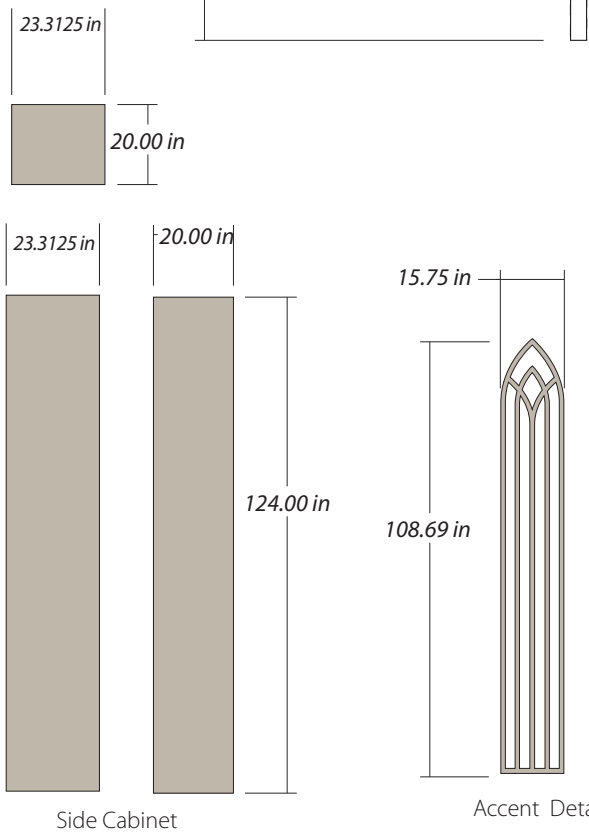
- VIZIDEF EMC UNITS:**
- A - .100" alum. top cover
  - B - 60.875" h x 95.375" w cabinet size (see page 2)
  - .100" alum. brakeform back and sides
  - .080" Brakeform alum. internal ribs w/routed holes
  - .100" Alum. panel w/routed holes for Led module placement
  - Routed module holes (7.16" x 7.16")
  - Information needed from Vizidef for final size of cab.
  - C - 2" x 2" x .25" steel angle

- ILLUMINATED CABINET & REVEAL:**
- D - 4" h x 95.375" w x 10.75" deep fabricated alum. reveal
  - E - Wide Body (#2005)
  - F - 2.25" Retainer (#2045)
  - G - .100" alum. faces (seamed as shown)
  - H - .50" clear plex, surface applied vinyls subsurface diffuser
  - I - LED Sticks
  - J - 4" x 6" x .25" steel support w/8" x 10" x .75" steel match plates and 119" stubs (weld bolts on bottom match plate w/threads pointing upward)
  - K - Steel Body Plate (ST-PL-WB-4x6)

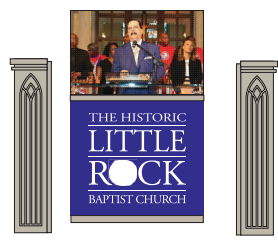
- BASE & REVEAL:**
- L - 5" h x 95.375" w x 10.75" deep fabricated alum. reveal (removable)
  - M - 2" x 2" x .125" alum. angle frame base
  - N - .100" alum. sheeting
  - O - 2" x 2" x .125" alum. tube

- ELECTRICAL:**
- 120 volt / UL approval
  - 8x - 84" D/F AnPro LEDsticks
  - 3x - 120w power supplies
  - Electrical box w/switch on base

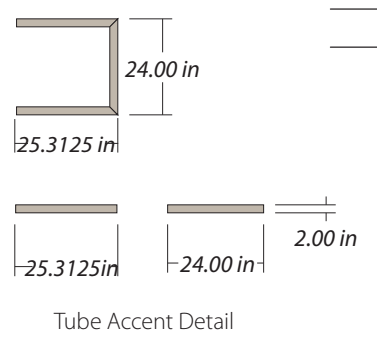
- INSTALLATION:**
- Direct bury 84"
  - Sign will be shipped and installed in 4x - sections



Top Cap Detail



Fabricate sign in 4x - sections



Tube Accent Detail



5009 West River Drive | Comstock Park, MI 49321 | Ph 616.784.5711 | Fx 616.784.8280 | [www.valleycitysign.com](http://www.valleycitysign.com)

**CUSTOMER SIGNATURE:** \_\_\_\_\_ **DATE:** \_\_\_\_\_

The designs, details and plans represented herein are the property of Valley City Sign; specifically developed for your personal use in connection with the project being planned for you by Valley City Sign. They are not to be shown to anyone outside of your organization, nor are they to be used, reproduced, exhibited or copied in any fashion whatsoever. All or any part of these designs (except registered trademarks) remain the property of Valley City Sign. Colors represented are being viewed by various web browsers, computer monitors and printers, therefore an exact representation of colors shown cannot be guaranteed via these methods. For true color matching, please request a material sample.

**PROPERTY OF VALLEY CITY SIGN**



**DRAWING #173,883B-3**

SCALE: 1/4" = 1'-0"  
ONE (1) D/F INTERNALLY-ILLUMINATED MONUMENT SIGN WITH EMC

PROJECT: **Vizidef - Little Rock Baptist Church**  
PHOTOSCAN (S): **NO** DESIGNER: **TC**  
DATE: **10.19.21** REVISIONS: **JB(2)**  
HOURS: **.5 + 1** SALES: **SU(MW)**