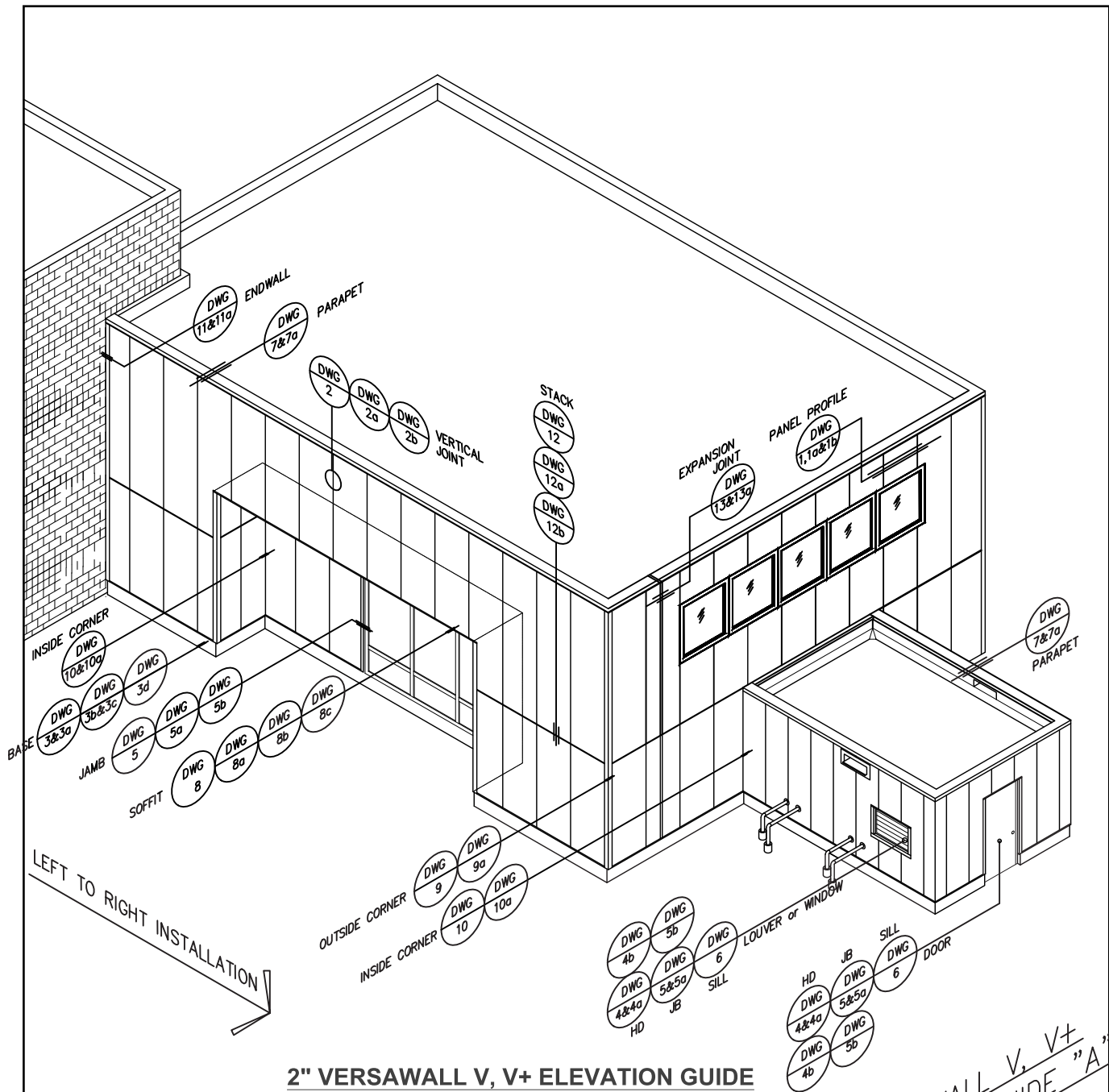


# Versawall V, V+



**2" VERSAWALL V, V+ ELEVATION GUIDE**

**2" VERSAWALL V, V+ PROMOTIONAL DETAIL INDEX**

DETAIL No.	DESCRIPTION	DETAIL No.	DESCRIPTION
DETAIL GUIDE	2" VMH+ ELEVATION GUIDE	6-SILL	2" VW V V+ SILL
1-PANEL PROFILE	2" VW V STRIATED	7-PARAPET	2" VW V V+ PARAPET
1a-PANEL PROFILE	2" VW V PLANKED	7a-PARAPET	2" VW V V+ PARAPET
1b-PANEL PROFILE	2" VW V+ FLAT/SMOOTH	8-SOFFIT	2" VW V V+ SOFFIT
2-VERT. JOINT	2" VW VERTICAL JOINT	8a-SOFFIT	2" VW V V+ SOFFIT
2a-VERT. JOINT	2 3/4" VW VERTICAL JOINT	8b-SOFFIT	2" VW V V+ SOFFIT
2b-VERT. JOINT	4" VW VERTICAL JOINT	8c-SOFFIT	2" VW V V+ SOFFIT
3-BASE	2" VW V V+ BASE	9-O.S. CORNER	2" VW V V+ OUTSIDE CORNER
3a-BASE	2" VW V V+ BASE	9a-O.S. CORNER	2" VW V V+ OUTSIDE CORNER
3b-BASE	2" VW V V+ BASE	10-I.S. CORNER	2" VW V V+ INSIDE CORNER
3c-BASE	2" VW V V+ BASE	10a-I.S. CORNER	2" VW V V+ INSIDE CORNER
3d-BASE	2" VW V V+ BASE	11-END WALL	2" VW V V+ ENDWALL
4-HEAD	2" VW V V+ HEAD	11a-END WALL	2" VW V V+ ENDWALL
4a-HEAD	2" VW V V+ HEAD	12-STACK	2" VW V V+ STACK
4b-HEAD	2" VW V V+ HEAD	12a-STACK	2" VW V V+ STACK
5-JAMB	2" VW V V+ JAMB	12b-STACK	2" VW V V+ STACK
5a-JAMB	2" VW V V+ JAMB	13-EXP. JOINT	2" VW V V+ EXPANSION JOINT
5b-JAMB	2" VW V V+ JAMB	13a-EXP. JOINT	2" VW V V+ EXPANSION JOINT

*VERSAWALL V, V+  
2" DETAIL GUIDE "A"*

**HORIZONTAL APPLICATION**

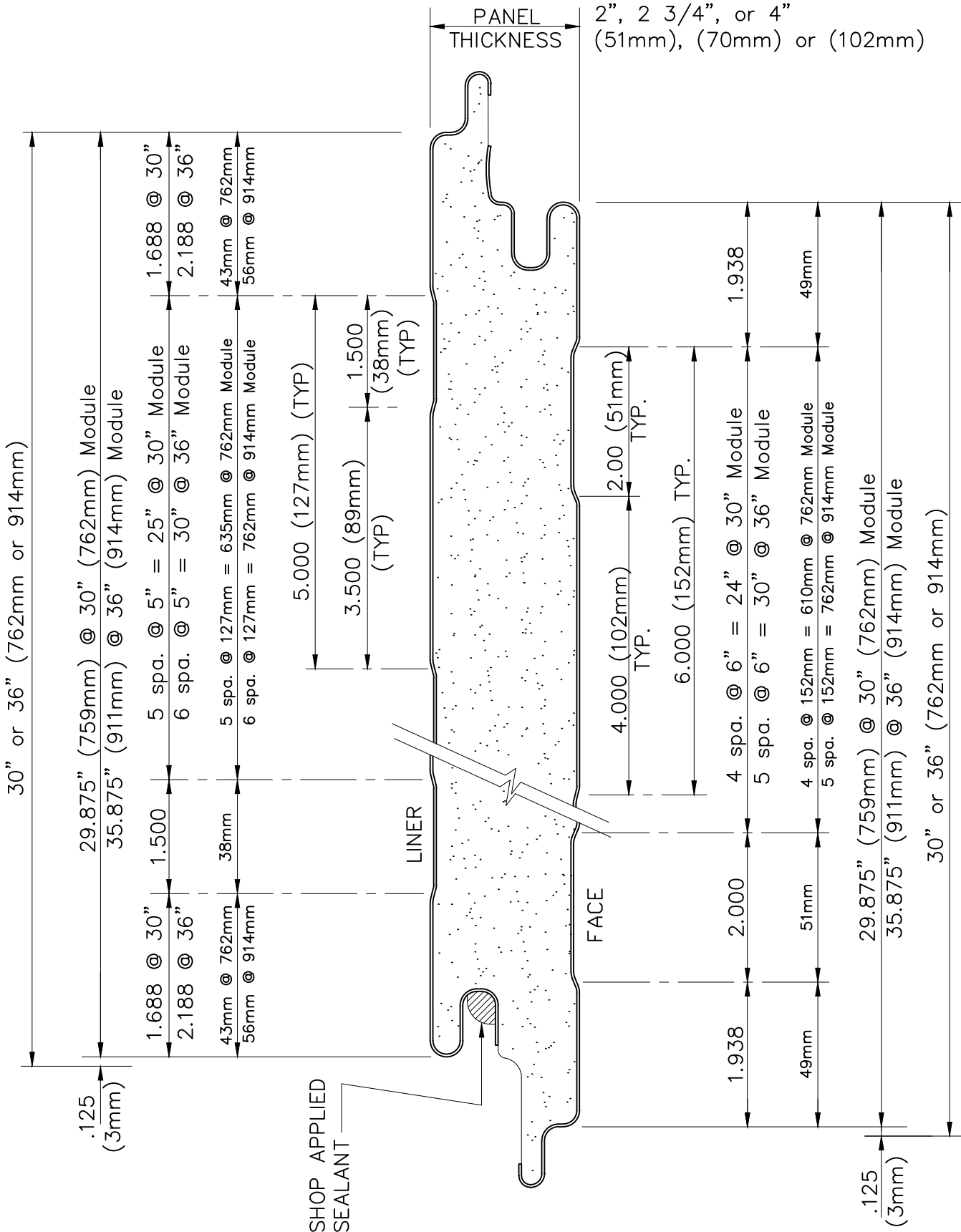
**DETAIL: ELEVATION - INDEX  
GUIDE**

**DATE: JUNE 2020**





# Versawall V And V+ ®



**VERSAWALL V (PLANKED)**

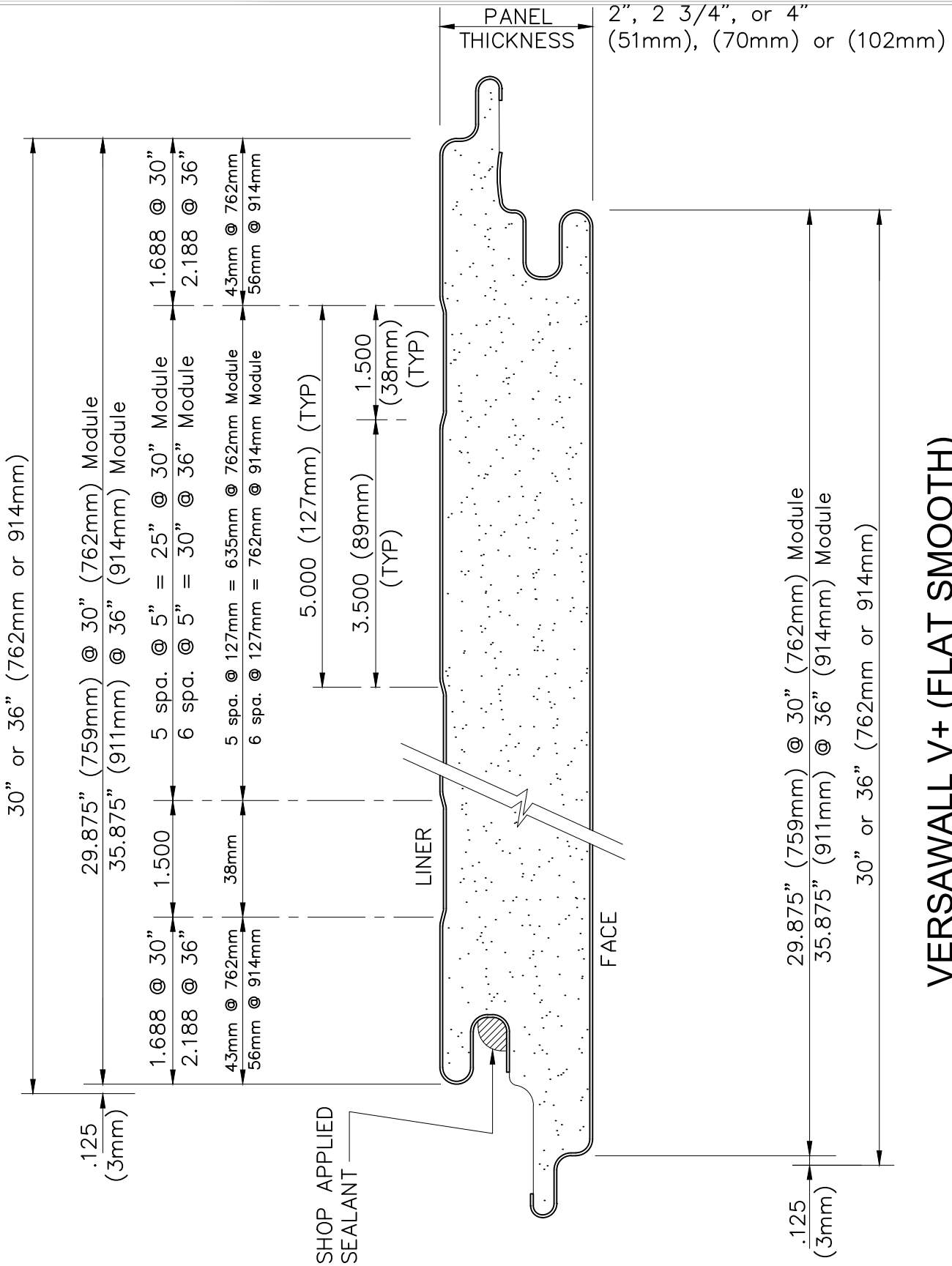
**VERTICAL APPLICATION**

**DETAIL 1a: 2" PLANKED**  
**(2 OF 3)**

**DATE: JUNE 2020**



# Versawall V And V+ ®



**VERSAWALL V+ (FLAT SMOOTH)**

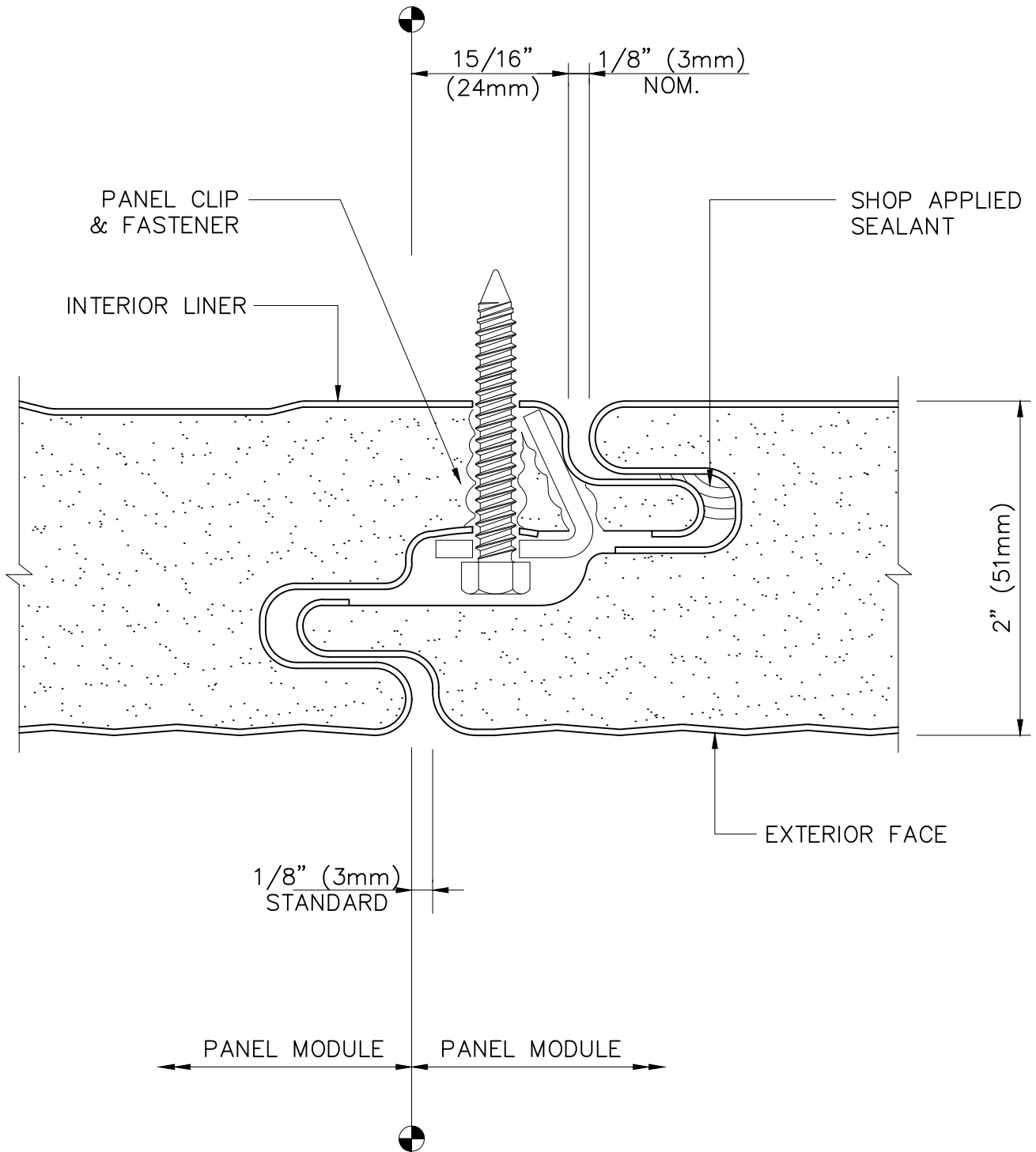
VERTICAL APPLICATION

DETAIL 1b: 2" FLAT  
(1 OF 3)

DATE: JUNE 2020



# Versawall V And V+ ®



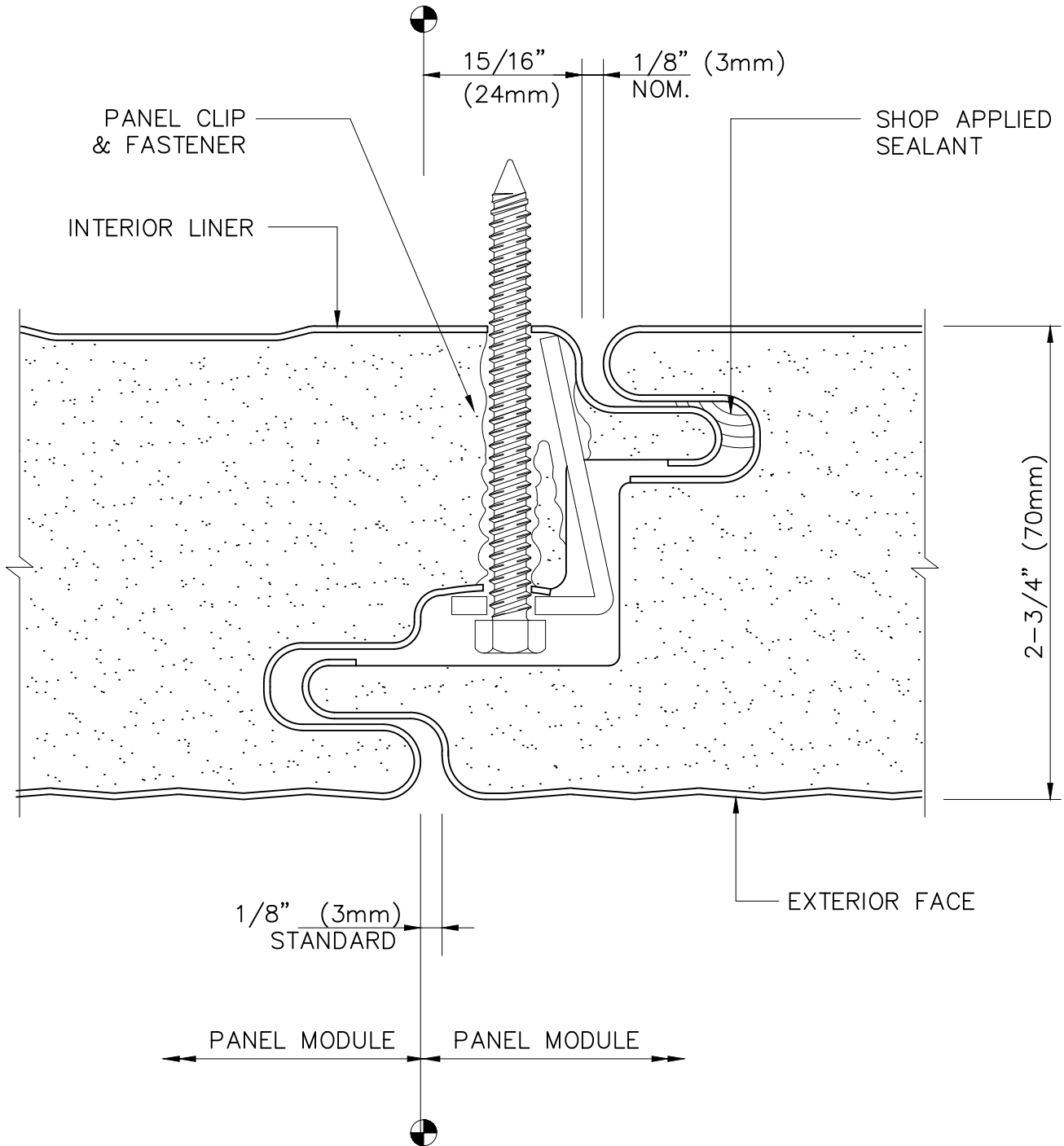
VERTICAL APPLICATION

DETAIL 2: 2" JOINT  
(1 OF 3)

DATE: JUNE 2020



# Versawall V And V+ ®



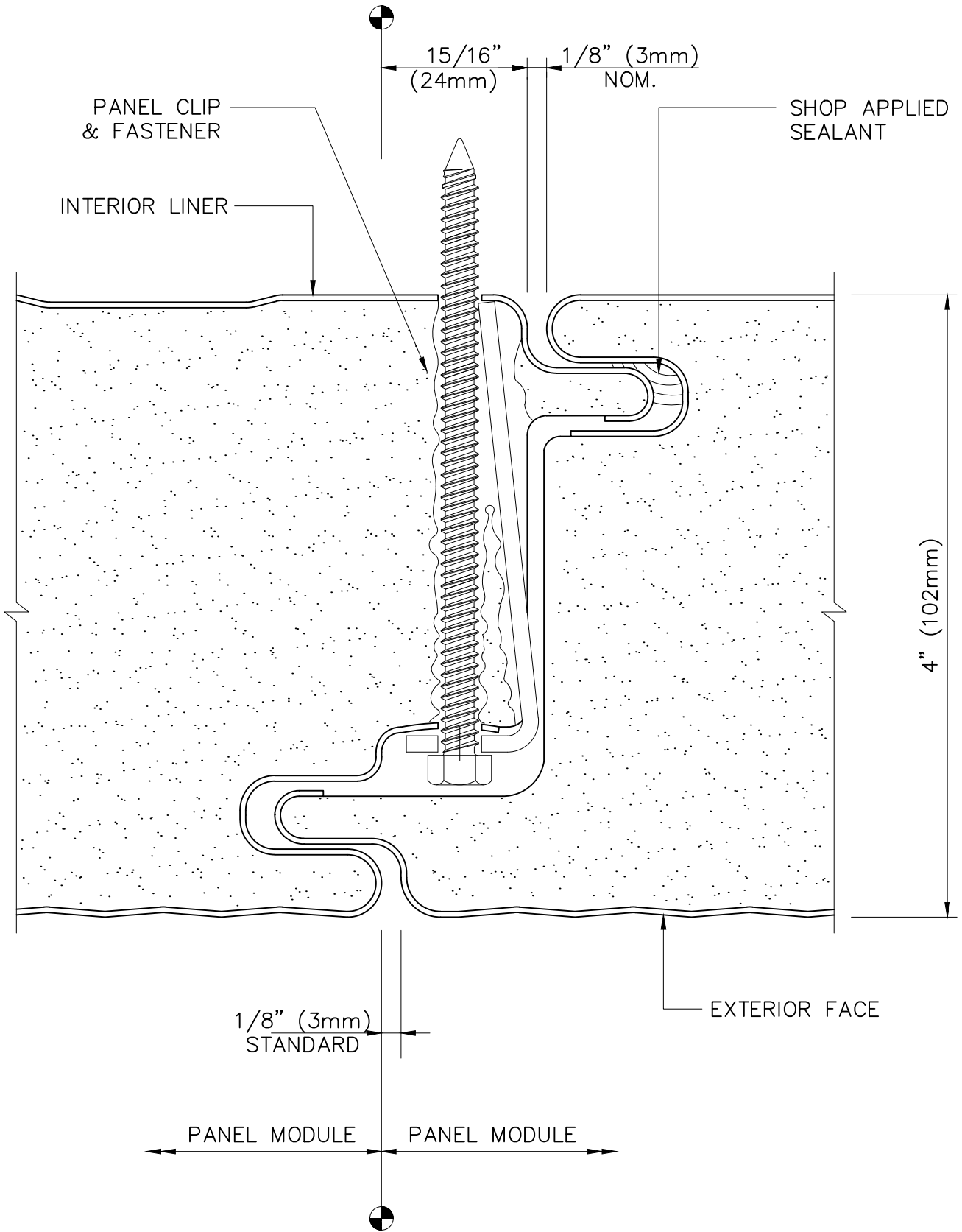
VERTICAL APPLICATION

DETAIL 2a: 2 3/4" JOINT  
(2 OF 3)

DATE: JUNE 2020



# Versawall V And V+ ®



VERTICAL APPLICATION

DETAIL 2b: 4" JOINT  
(3 OF 3)

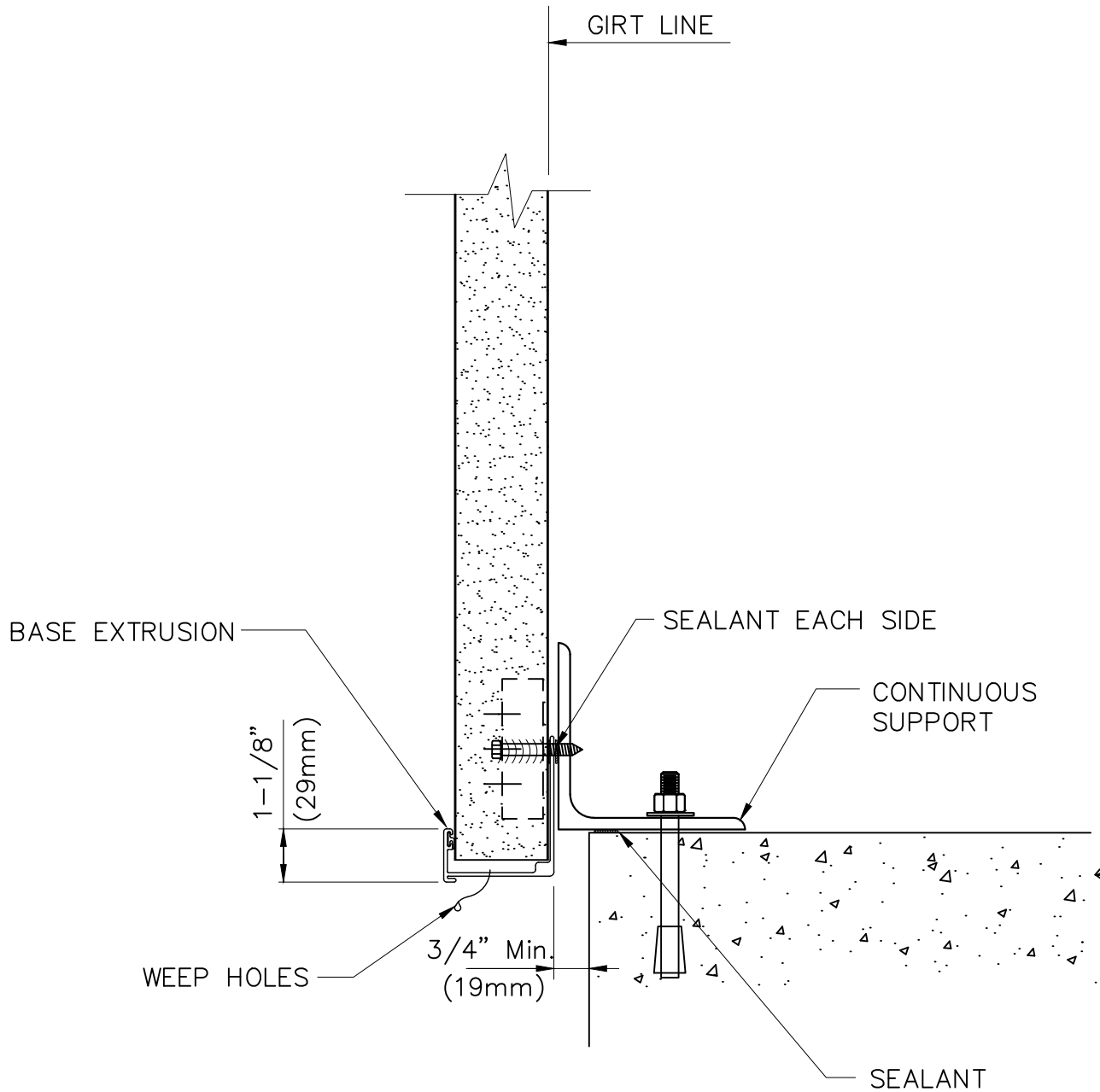
DATE: JUNE 2020



# Versawall V And V+ ®

## PANEL TYPES

2" (51mm), 2.75" (70mm) and 4" (102mm)



## BASE EXTRUSION

SP-599 @ 2" (51mm) PANEL

SP-1641 @ 2.75" (70mm) PANEL

SP-4389 @ 4" (102mm) PANEL

VERTICAL APPLICATION

DETAIL 3: 2" BASE  
(1 OF 5)

DATE: JUNE 2020

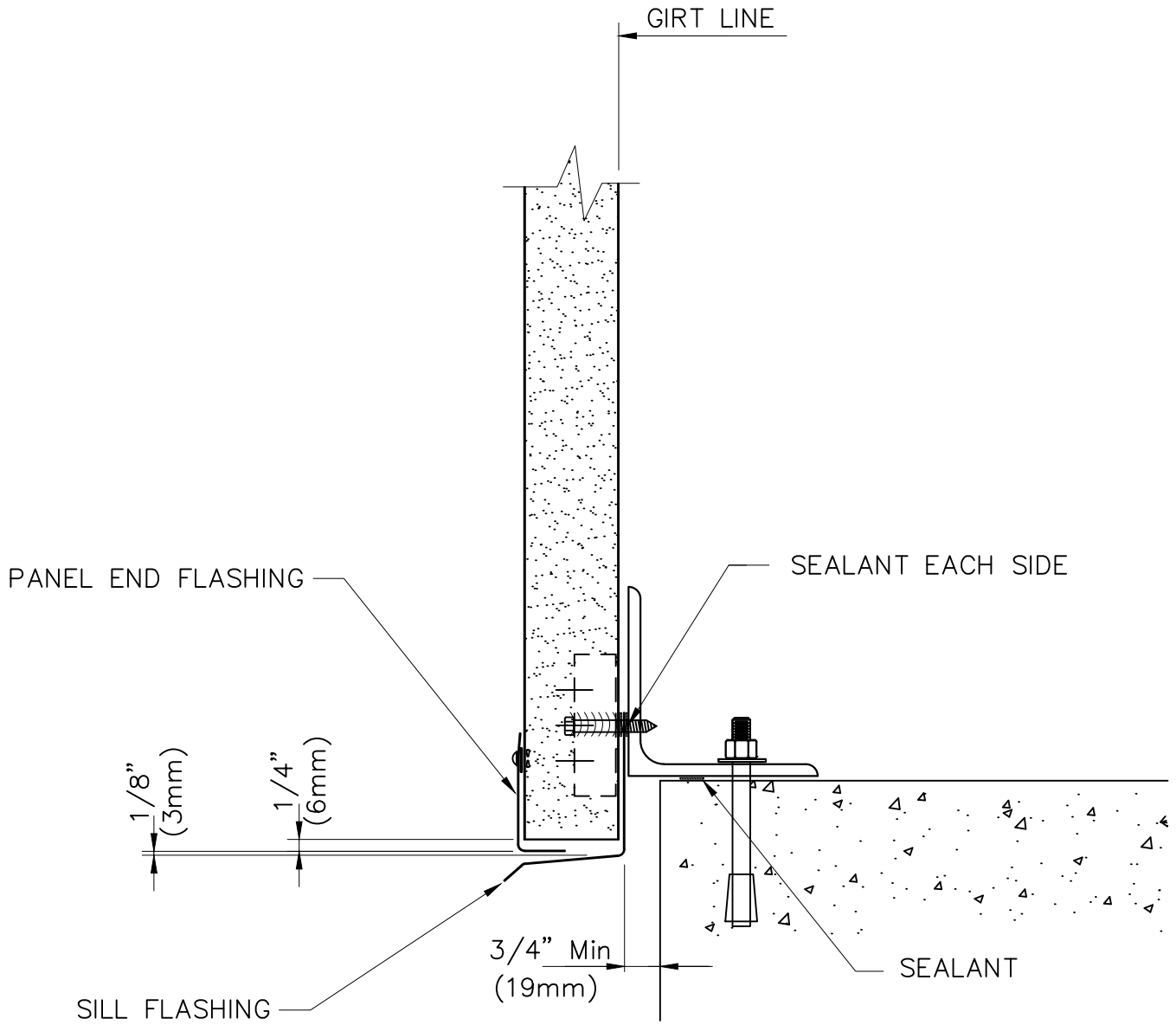




# Versawall V And V+ ®

## PANEL TYPES

2" (51mm), 2.75" (70mm) and 4" (102mm)



VERTICAL APPLICATION

DETAIL 3a: 2" BASE  
(2 OF 5)

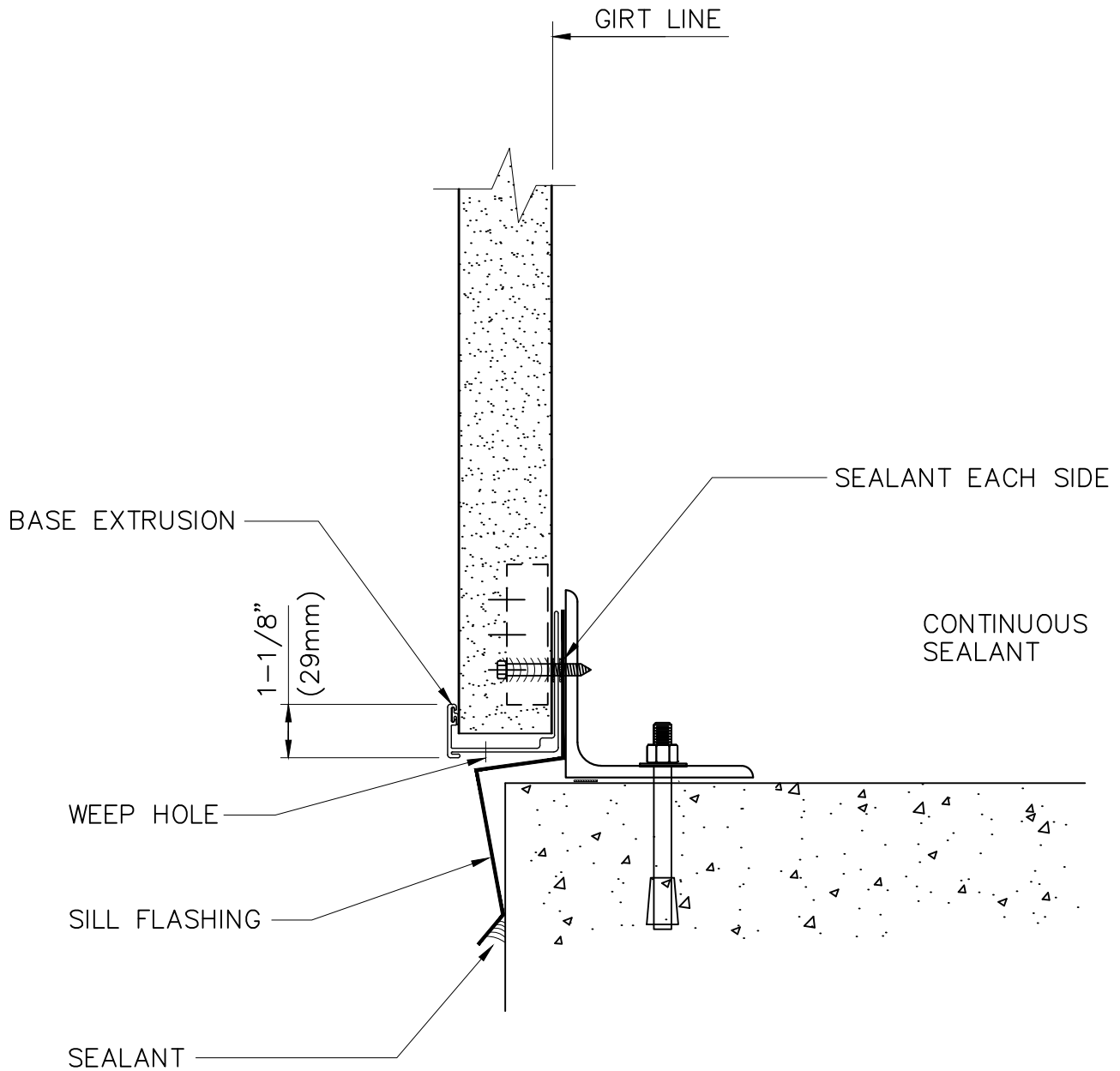
DATE: JUNE 2020



# Versawall V And V+ ®

## PANEL TYPES

2" (51mm), 2.75" (70mm) and 4" (102mm)



## BASE EXTRUSION

SP-599 @ 2" (51mm) PANEL

SP-1641 @ 2.75" (70mm) PANEL

SP-4389 @ 4" (102mm) PANEL

VERTICAL APPLICATION

DETAIL 3b: 2" BASE  
(3 OF 5)

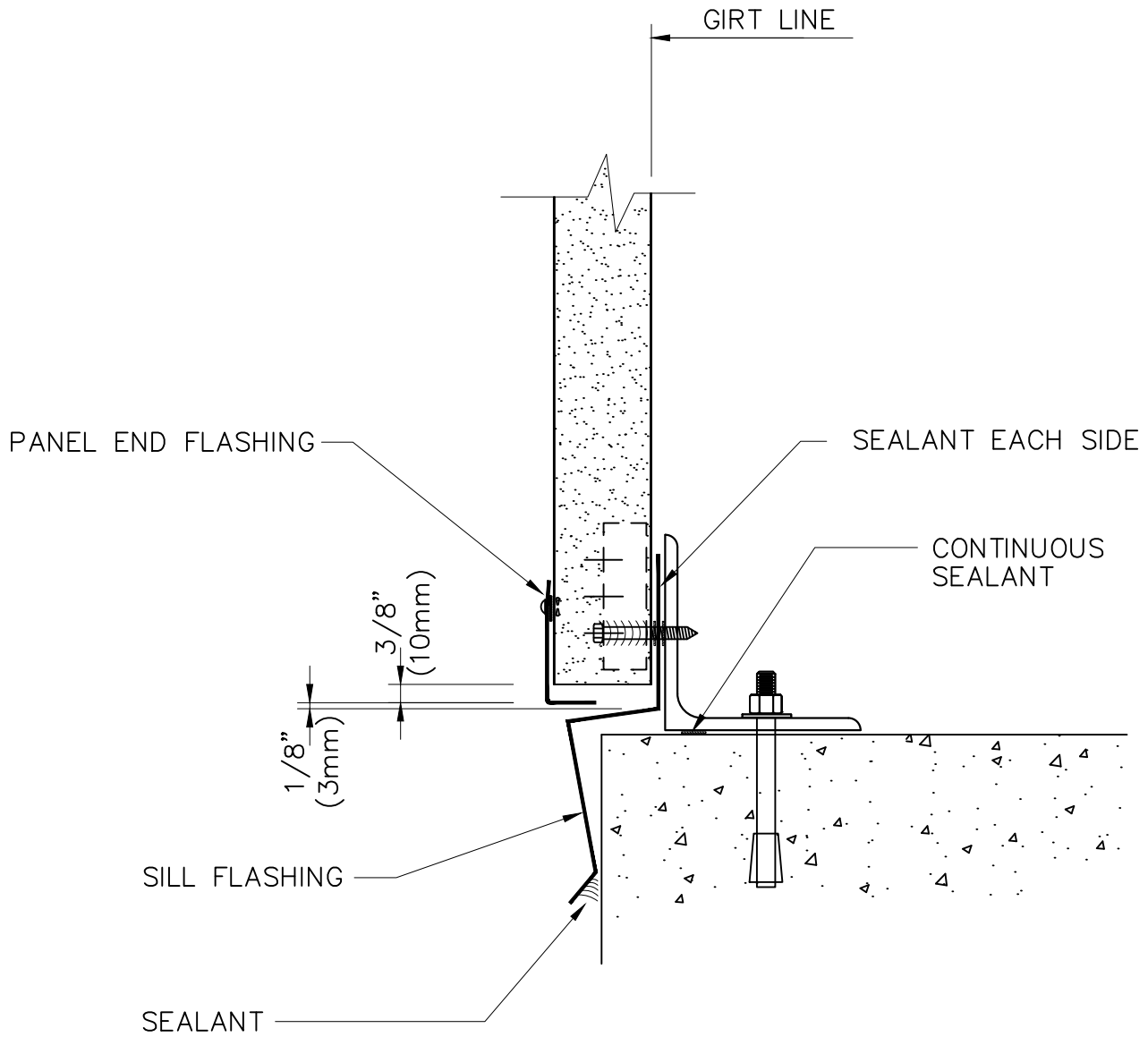
DATE: JUNE 2020



# Versawall V And V+ ®

## PANEL TYPES

2" (51mm), 2.75" (70mm) and 4" (102mm)



VERTICAL APPLICATION

DETAIL 3c: 2" BASE  
(4 OF 5)

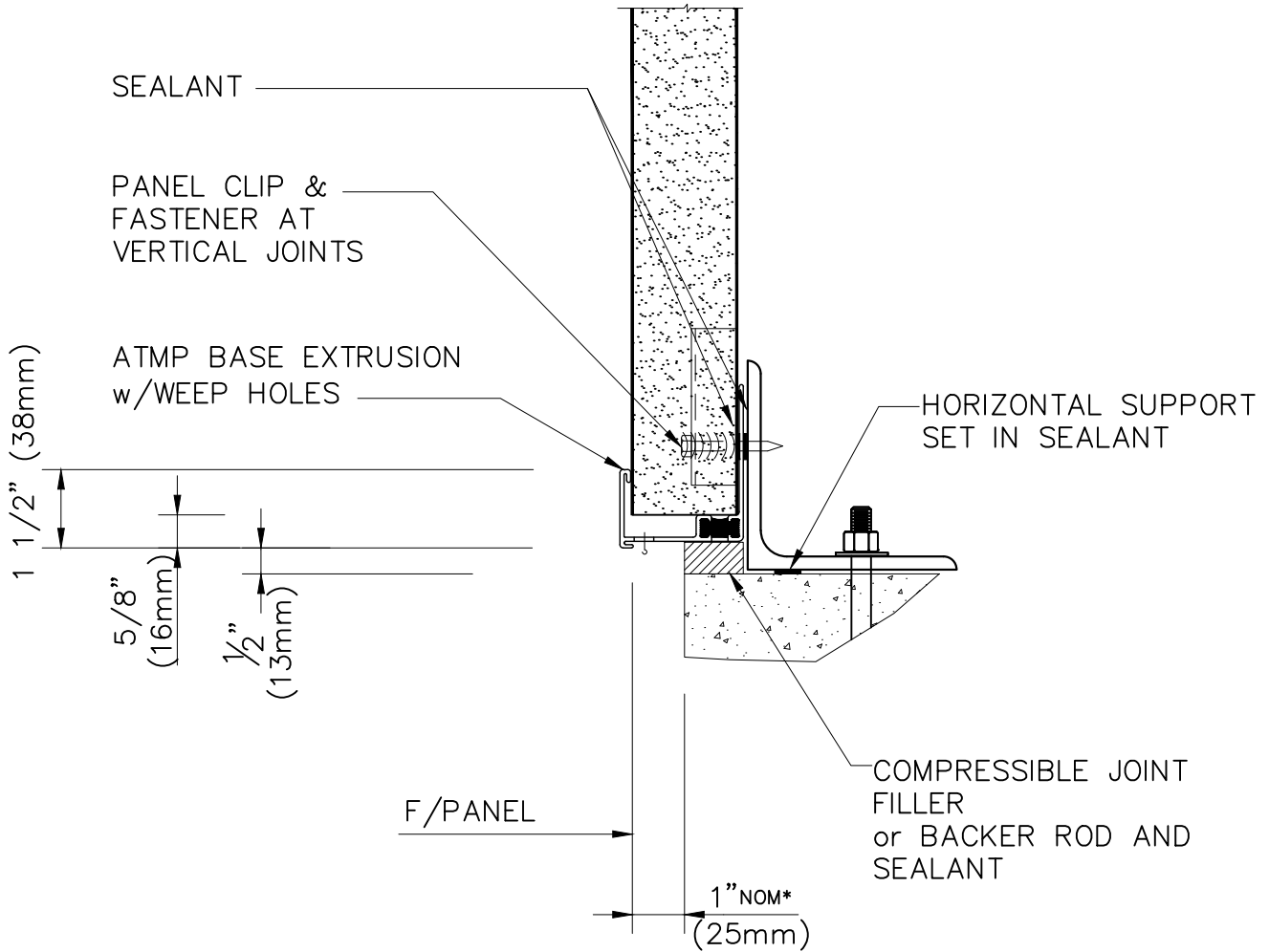
DATE: JUNE 2020



# Versawall V And V+ ®

## PANEL TYPE

2" (51mm), 2.75" (70mm) and 4" (102mm)



\*(CONSTRUCTION TOLERANCE)

### ATMP BASE EXTRUSION

- SP-4175 @ 2" (51mm) PANEL
- SP-4454 @ 2.75" (70mm) PANEL
- SP-4427 @ 4" (102mm) PANEL

VERTICAL APPLICATION

DETAIL 3d: 2" BASE  
(5 OF 5)

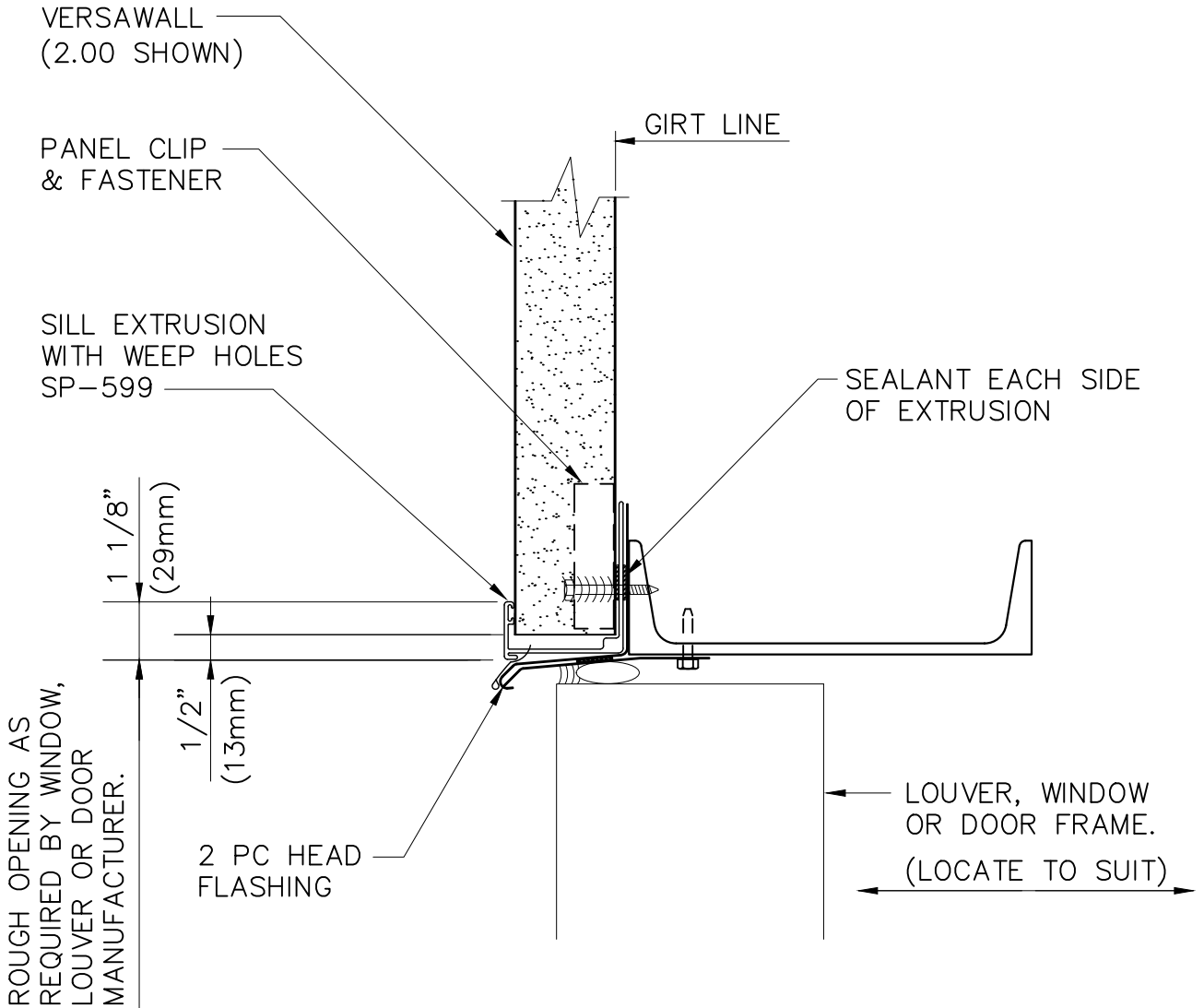
DATE: JUNE 2020



# Versawall V And V+ ®

## PANEL TYPES

2" (51mm), 2.75" (70mm) and 4" (102mm)



## BASE EXTRUSION

SP-599 @ 2" (51mm) PANEL  
SP-1641 @ 2.75" (70mm) PANEL  
SP-4389 @ 4" (102mm) PANEL

VERTICAL APPLICATION

DETAIL 4: 2" HEAD  
(1 OF 3)

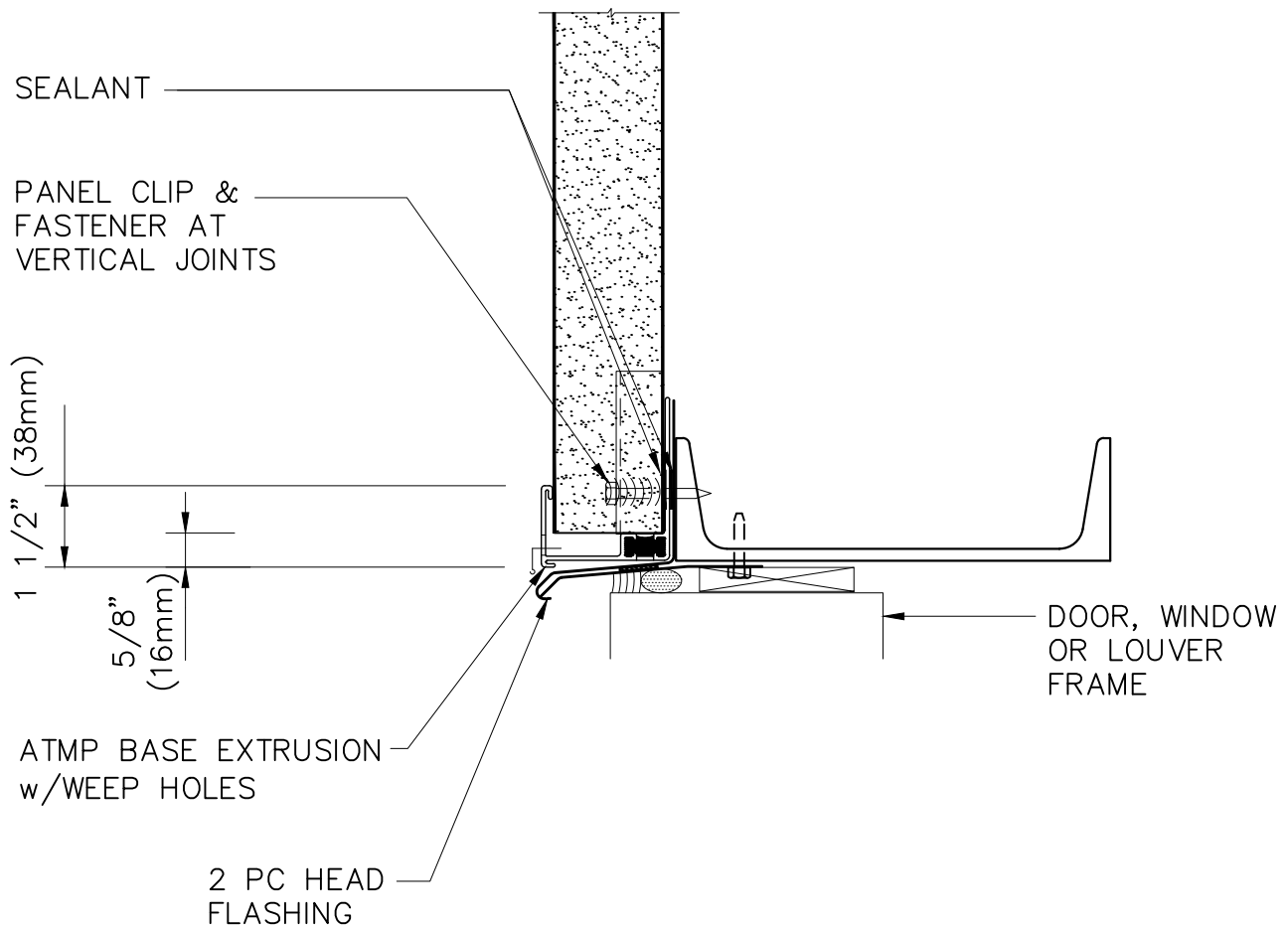
DATE: JUNE 2020



# Versawall V And V+ ®

## PANEL TYPE

2" (51mm), 2.75" (70mm) and 4" (102mm)



## ATMP BASE EXTRUSION

SP-4175 @ 2" (51mm) PANEL

SP-4454 @ 2.75" (70mm) PANEL

SP-4427 @ 4" (102mm) PANEL

VERTICAL APPLICATION

DETAIL 4a: 2" HEAD  
(2 OF 3)

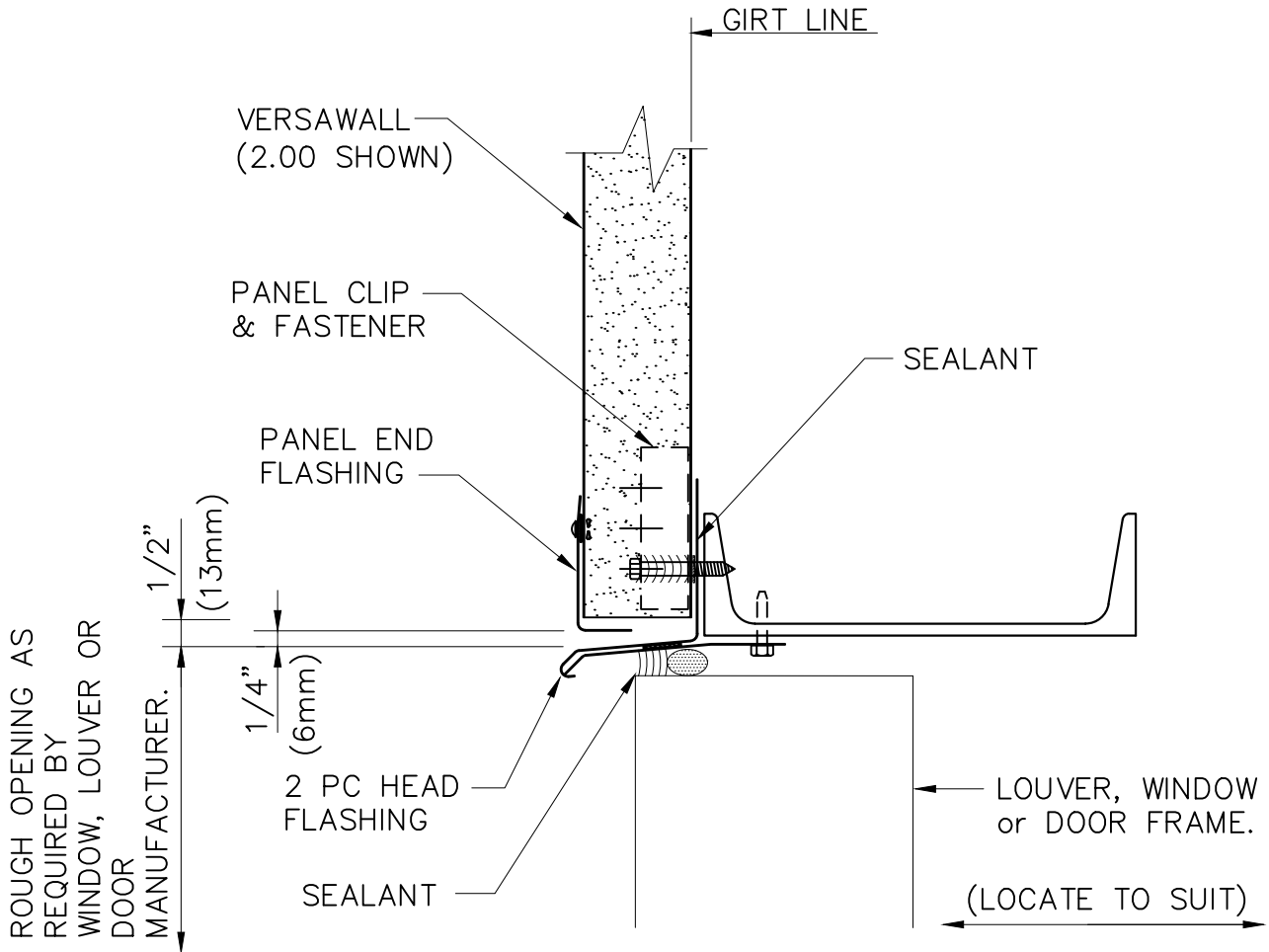
DATE: JUNE 2020



# Versawall V And V+ ®

## PANEL TYPES

2" (51mm), 2.75" (70mm) and 4" (102mm)



VERTICAL APPLICATION

DETAIL 4b: 2" HEAD  
(3 OF 3)

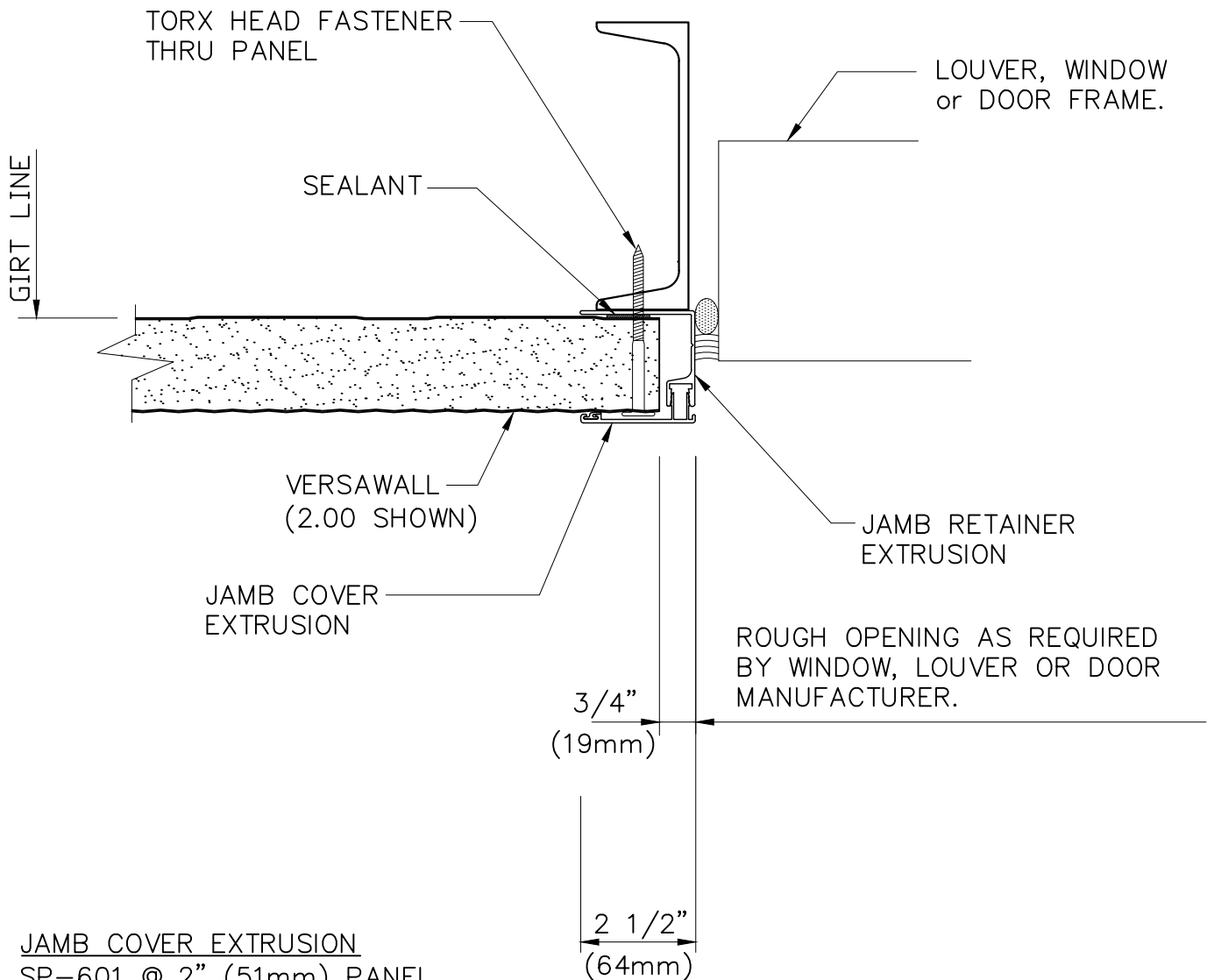
DATE: JUNE 2020



# Versawall V And V+ ®

## PANEL TYPES

2" (51mm) and 2.75" (70mm)



### JAMB COVER EXTRUSION

SP-601 @ 2" (51mm) PANEL

SP-601 @ 2.75" (70mm) PANEL

### JAMB RETAINER EXTRUSION

SP-216 @ 2" (51mm) PANEL

SP-1643 @ 2.75" (70mm) PANEL

VERTICAL APPLICATION

DETAIL 5: 2" JAMB  
(1 OF 3)

DATE: JUNE 2020

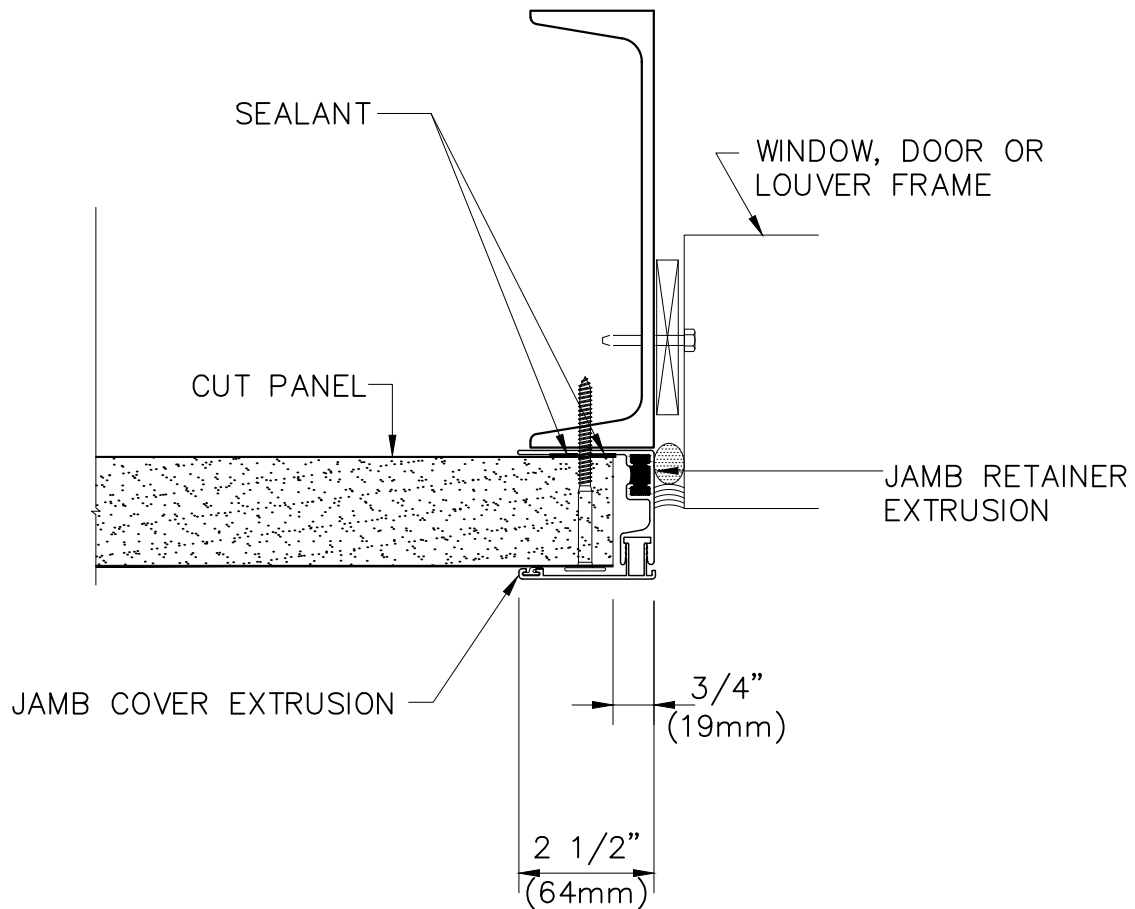




# Versawall V And V+ ®

## PANEL TYPE

2" (51mm), 2.75" (70mm) and 4" (102mm)



### JAMB COVER EXTRUSION

SP-601 @ 2" (51mm) PANEL  
SP-601 @ 2.75" (70mm) PANEL  
SP-601 @ 4" (102mm) PANEL

### JAMB RETAINER EXTRUSION

SP-4174 @ 2" (51mm) PANEL  
SP-4455 @ 2.75" (70mm) PANEL  
SP-4428 @ 4" (102mm) PANEL

VERTICAL APPLICATION

DETAIL 5a: 2" JAMB  
(2 OF 3)

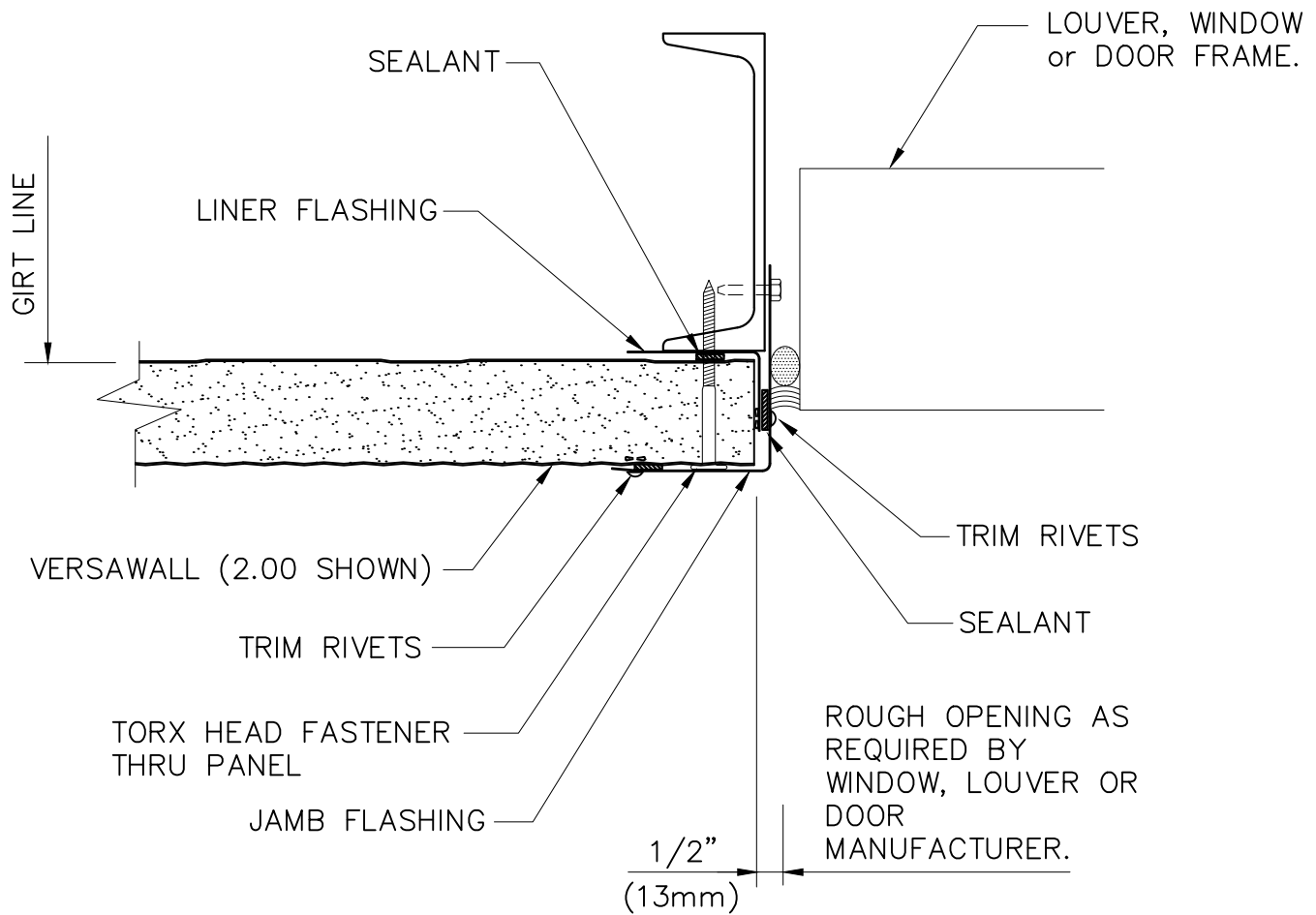
DATE: JUNE 2020



# Versawall V And V+ ®

## PANEL TYPES

2" (51mm), 2.75" (70mm) and 4" (102mm)



VERTICAL APPLICATION

DETAIL 5b: 2" JAMB  
(3 OF 3)

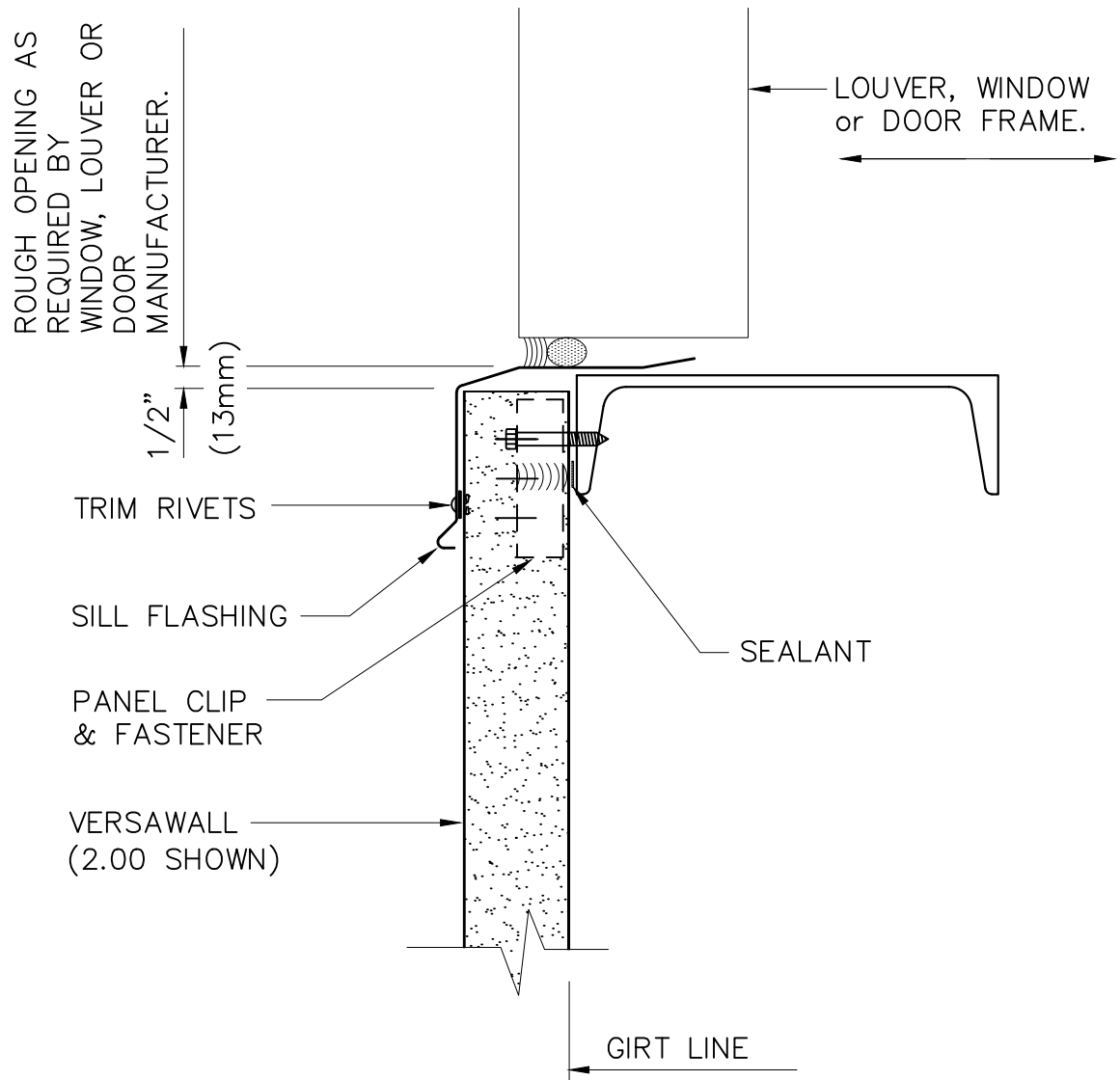
DATE: JUNE 2020



# Versawall V And V+ ®

## PANEL TYPES

2" (51mm), 2.75" (70mm) and 4" (102mm)



VERTICAL APPLICATION

DETAIL 6: 2" SILL  
(1 OF 1)

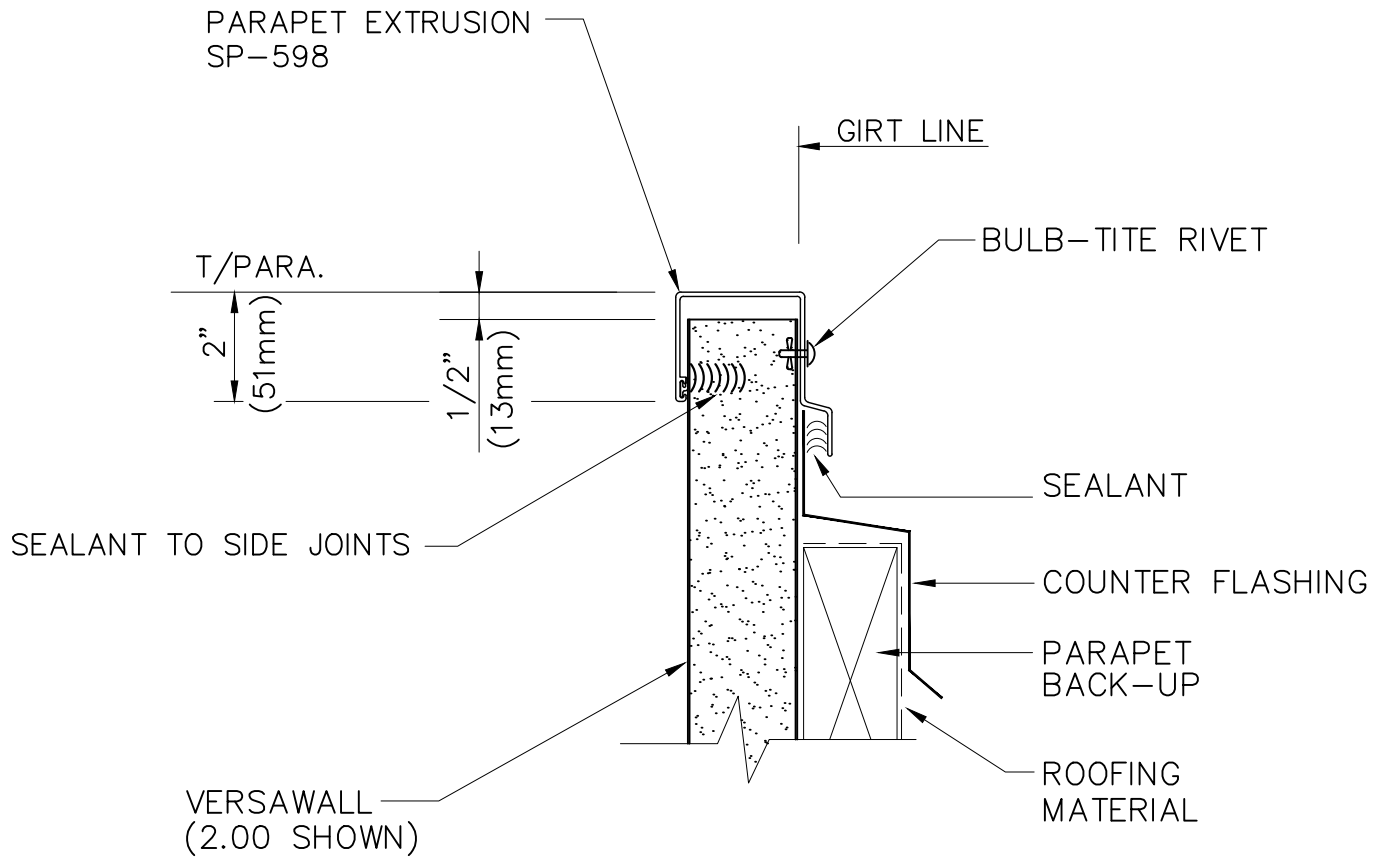
DATE: JUNE 2020



# Versawall V And V+ ®

## PANEL TYPES

2" (51mm) and 2.75" (70mm)



### NOTE:

LINER SEAL IS PROPERLY LOCATED @ INTERSECTION WITH ROOF VAPOR BARRIER.

### STACK EXTRUSION

SP-598 @ 2" (51mm) PANEL

SP-1644 @ 2.75" (70mm) PANEL

VERTICAL APPLICATION

DETAIL 7: 2" PARAPET  
(1 OF 2)

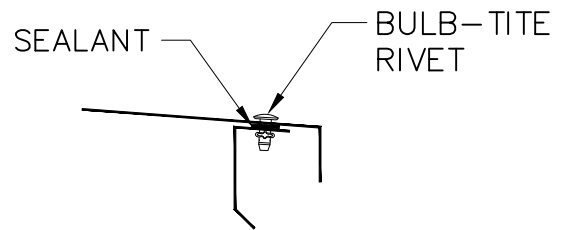
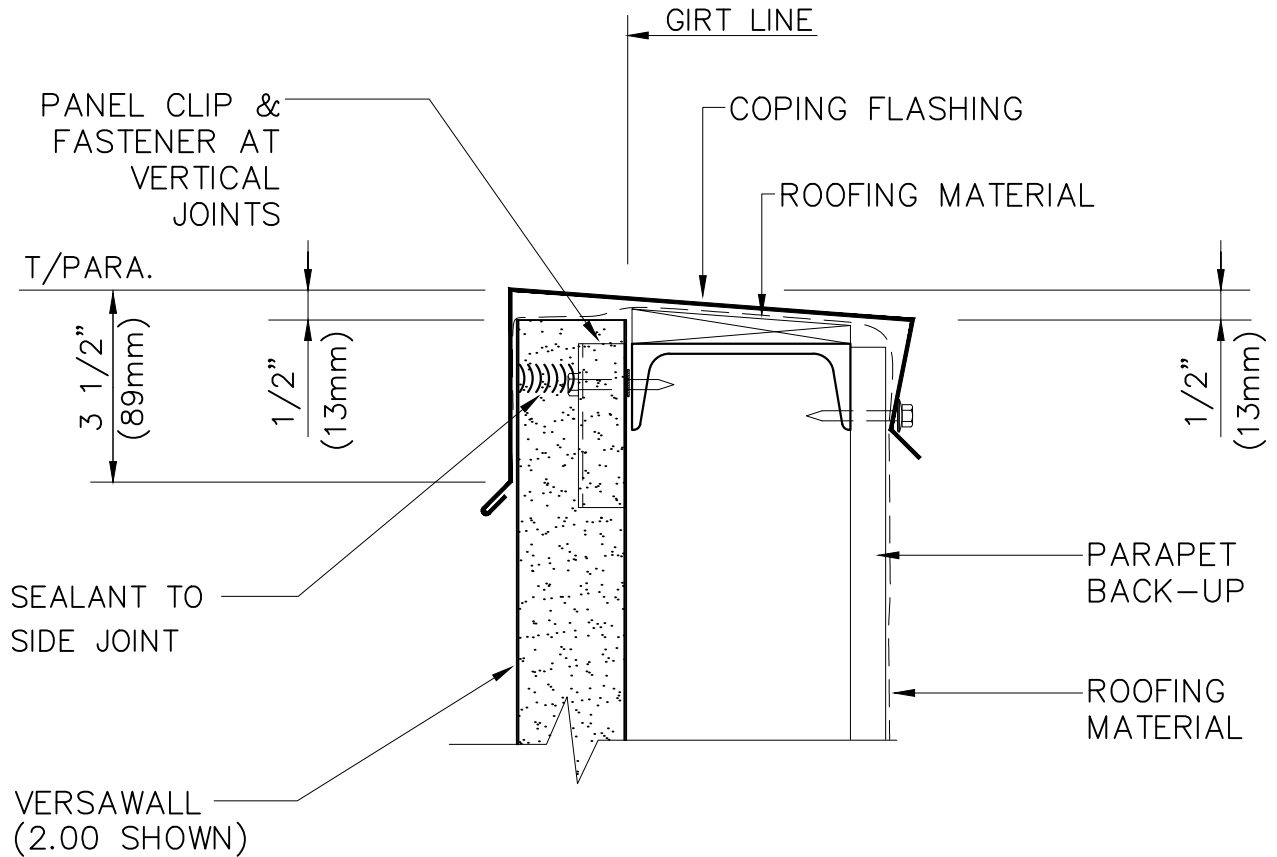
DATE: JUNE 2020



# Versawall V And V+ ®

## PANEL TYPES

2" (51mm), 2.75" (70mm) and 4" (102mm)



ALTERNATE COPING

### NOTE:

LINER SEAL IS PROPERLY LOCATED @ INTERSECTION WITH ROOF VAPOR BARRIER.

VERTICAL APPLICATION

DETAIL 7a: 2" PARAPET  
(2 OF 2)

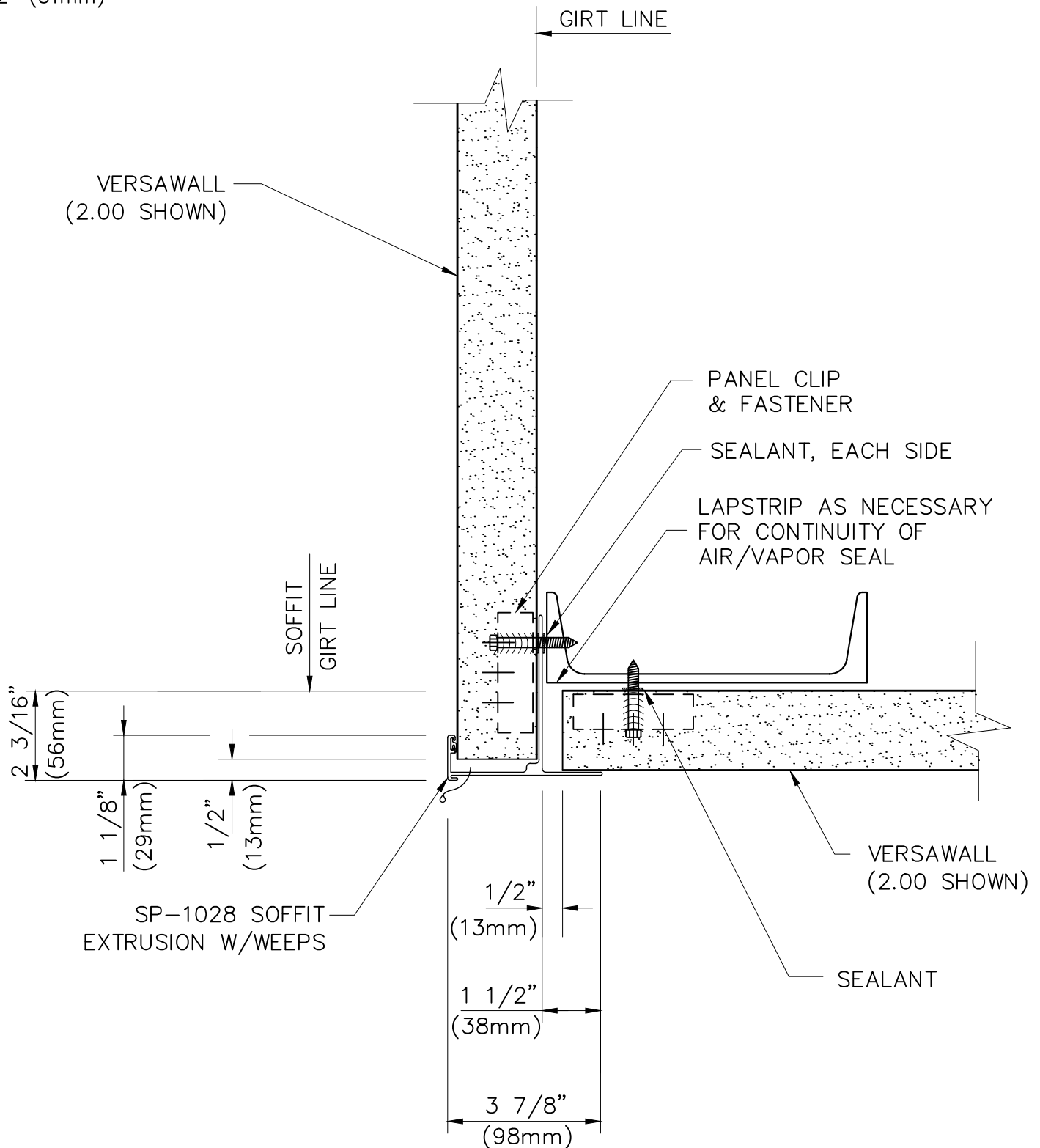
DATE: JUNE 2020



# Versawall V And V+ ®

## PANEL TYPES

2" (51mm)



### SOFFIT EXTRUSION

SP-1028 @ 2" (51mm) PANEL

VERTICAL APPLICATION

DETAIL 8: 2" SOFFIT  
(1 OF 4)

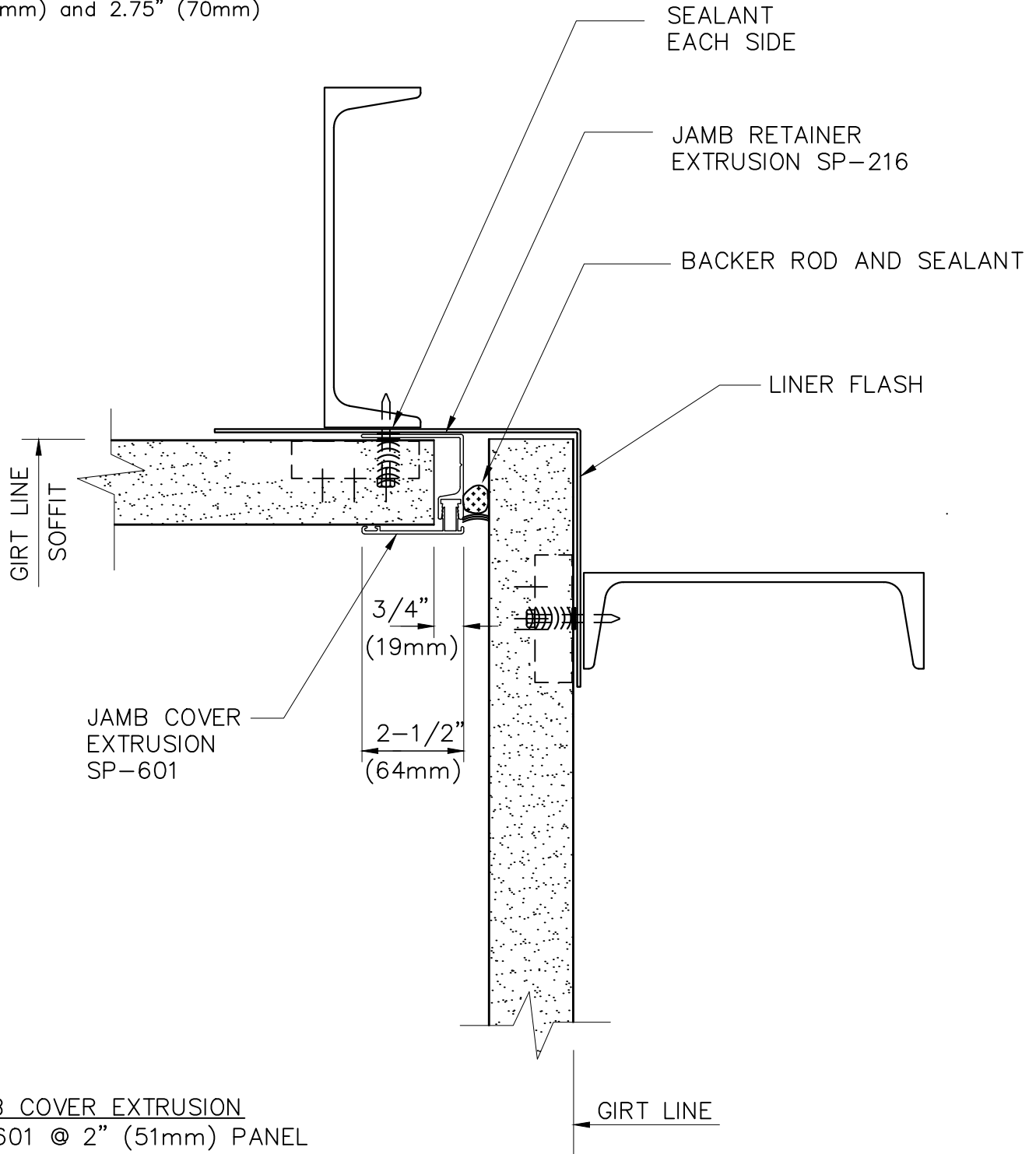
DATE: JUNE 2020



# Versawall V And V+ ®

## PANEL TYPES

2" (51mm) and 2.75" (70mm)



### JAMB COVER EXTRUSION

SP-601 @ 2" (51mm) PANEL

SP-601 @ 2.75" (70mm) PANEL

### JAMB RETAINER EXTRUSION

SP-216 @ 2" (51mm) PANEL

SP-1643 @ 2.75" (70mm) PANEL

VERTICAL APPLICATION

DETAIL 8a: 2" SOFFIT  
(2 OF 4)

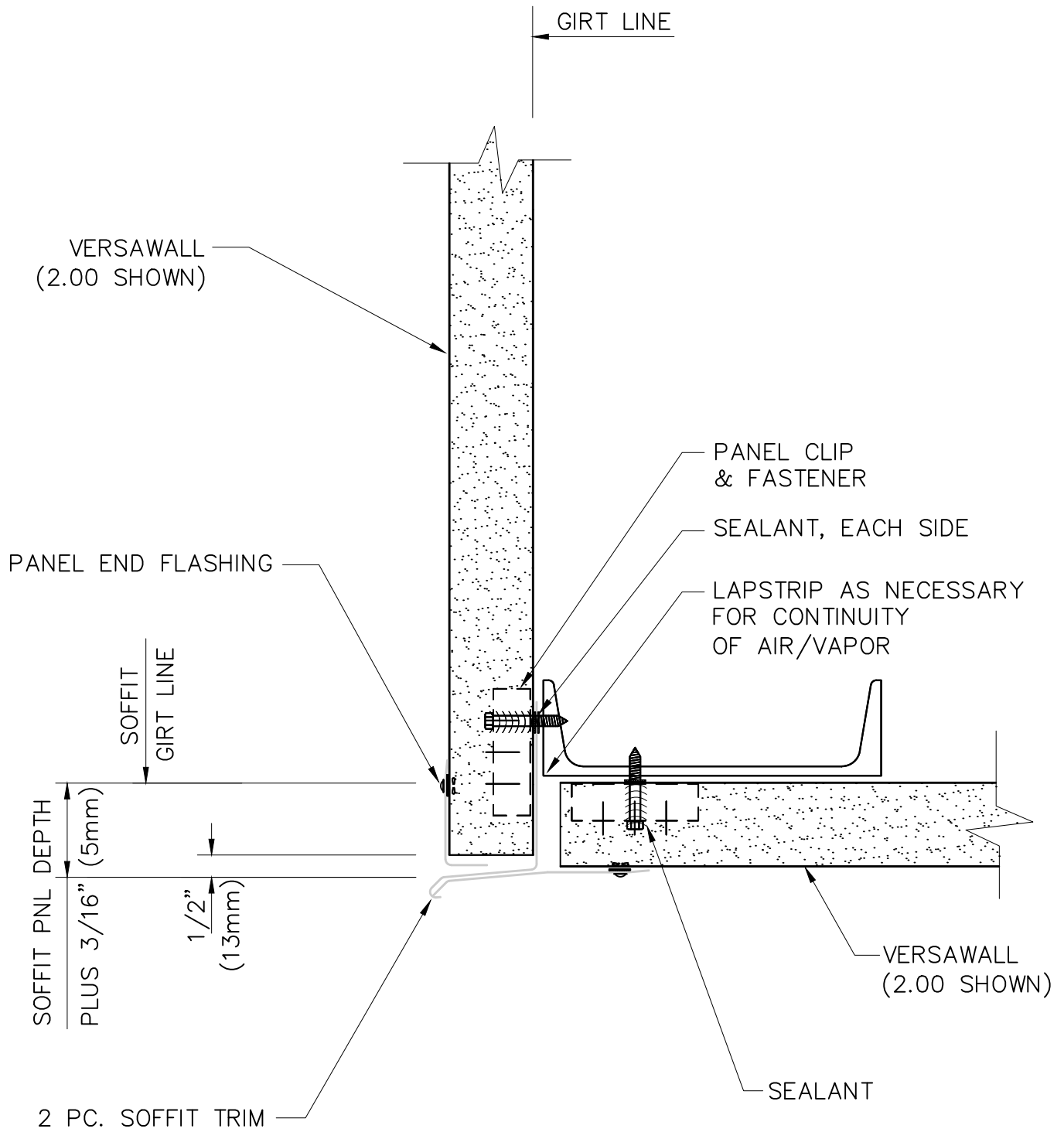
DATE: JUNE 2020



# Versawall V And V+ ®

## PANEL TYPES

2" (51mm), 2.75" (70mm) and 4" (102mm)



VERTICAL APPLICATION

DETAIL 8b: 2" SOFFIT  
(3 OF 4)

DATE: JUNE 2020

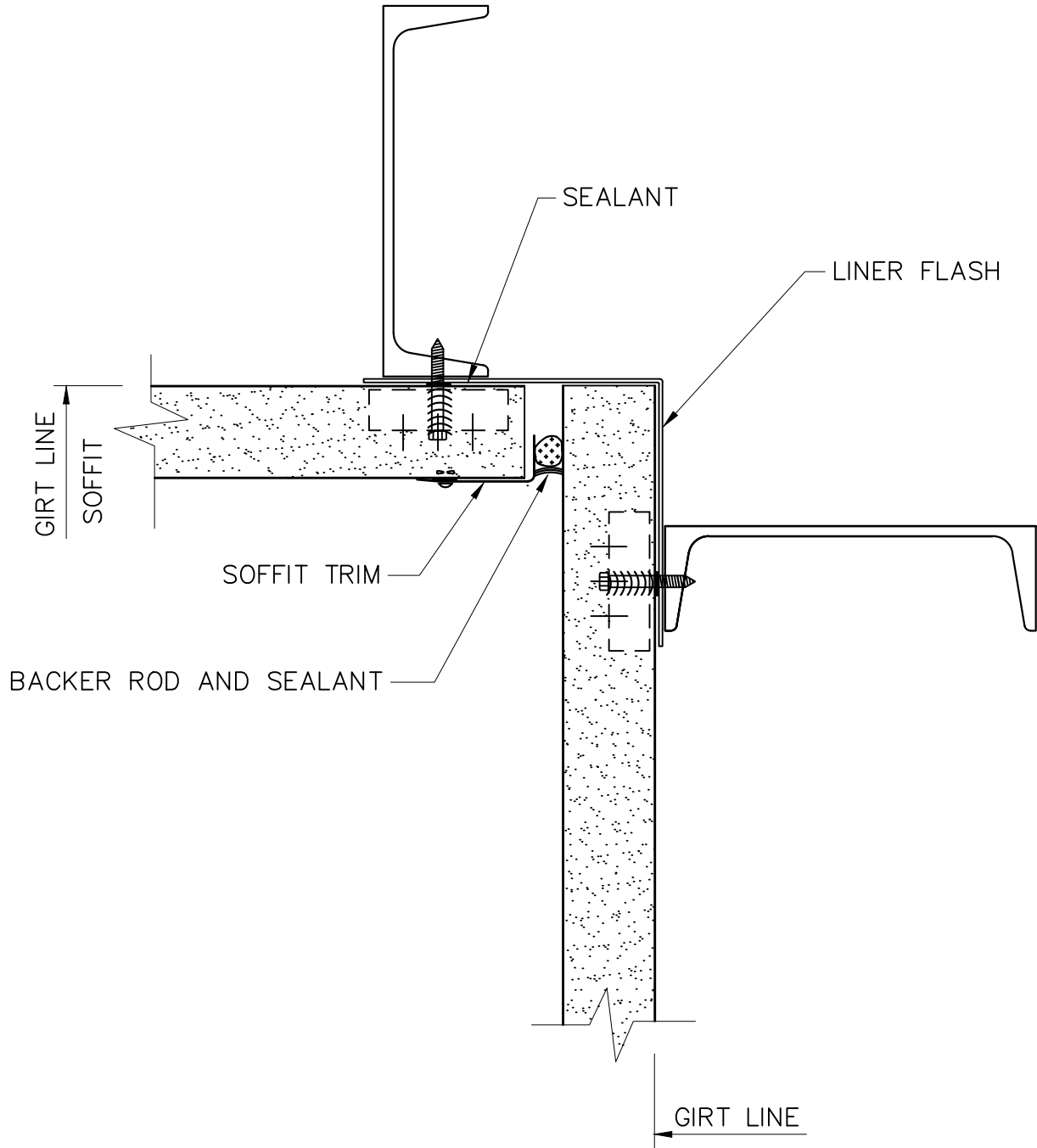




# Versawall V And V+ ®

## PANEL TYPES

2" (51mm), 2.75" (70mm) and 4" (102mm)



VERTICAL APPLICATION

DETAIL 8c: 2" SOFFIT  
(4 OF 4)

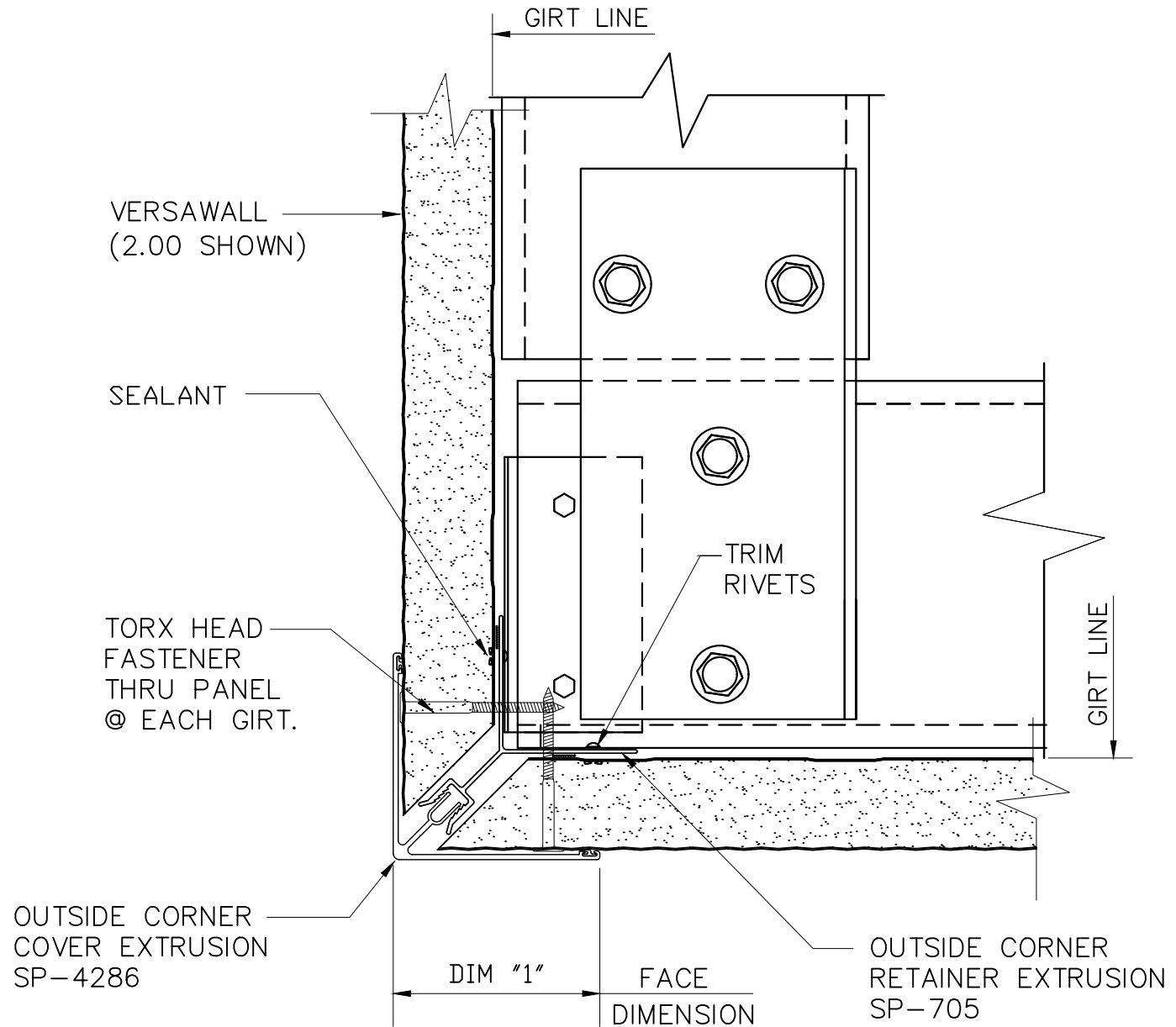
DATE: JUNE 2020



# Versawall V And V+ ®

## PANEL TYPES

2" (51mm), 2.75" (70mm) and 4" (102mm)



### OUTSIDE CORNER COVER EXTRUSION

SP-4286 @ 2" (51mm) PANEL [DIM "1" = 4 1/2" (114mm) ]  
 SP-4287 @ 2.75" (70mm) PANEL [DIM "1" = 5" (127mm) ]  
 SP-4429 @ 4" (102mm) PANEL [DIM "1" = 6 1/2" (165mm) ]

### INSIDE CORNER RETAINER EXTRUSION

SP-705 @ 2" (51mm) PANEL  
 SP-705 @ 2.75" (70mm) PANEL  
 SP-705 @ 4" (102mm) PANEL

**NOTE:** FILL ANY  
 REMAINING VOID IN  
 EXTRUSION CAVITY  
 WITH BATT  
 INSULATION.

VERTICAL APPLICATION

DETAIL 9: 2" O.S. CORNER  
 (1 OF 2)

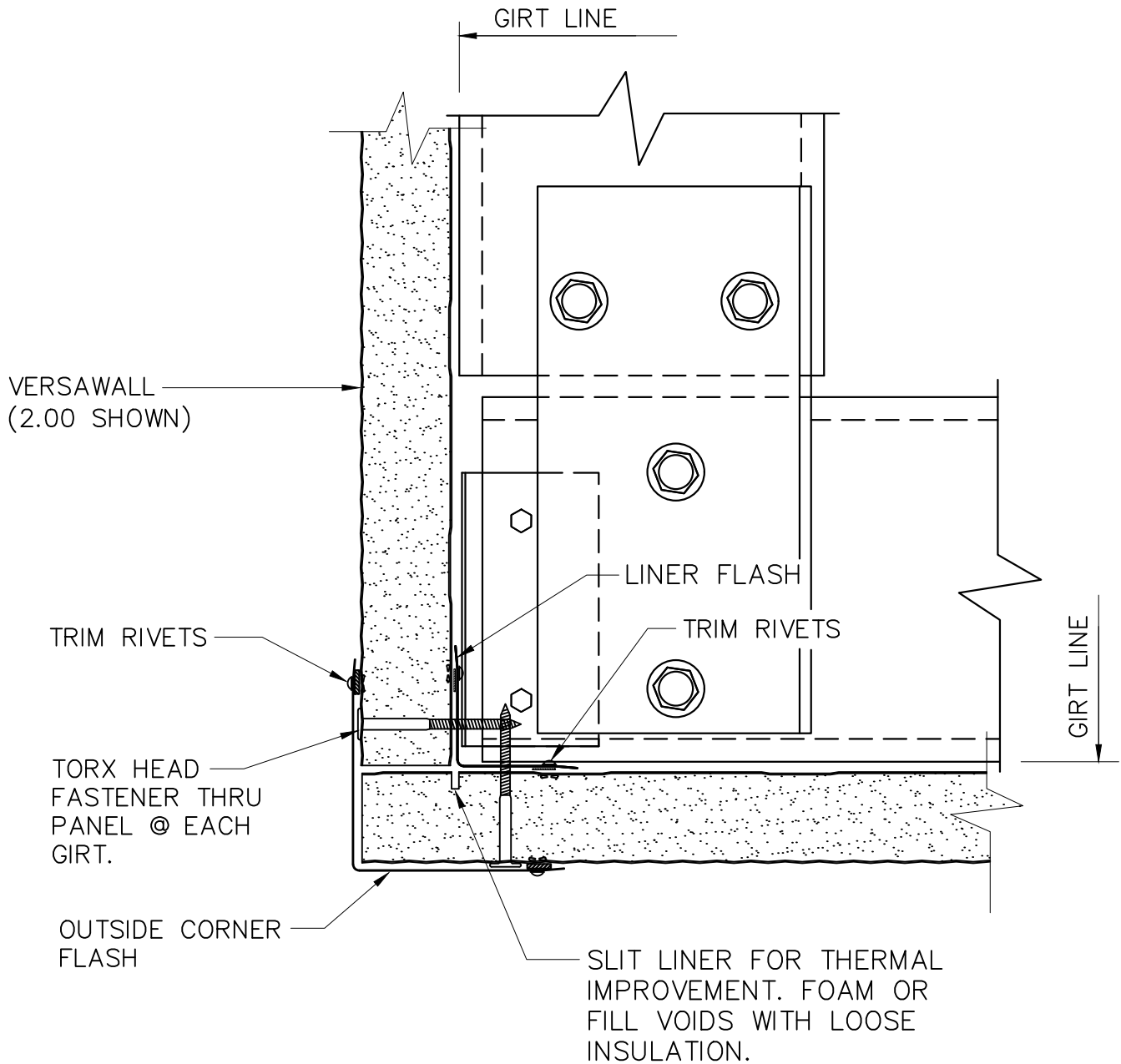
DATE: JUNE 2020



# Versawall V And V+ ®

## PANEL TYPES

2" (51mm), 2.75" (70mm) and 4" (102mm)



### NOTE:

SET ALL FLASHING IN SEALANT

VERTICAL APPLICATION

DETAIL 9a: 2" O.S. CORNER  
(2 OF 2)

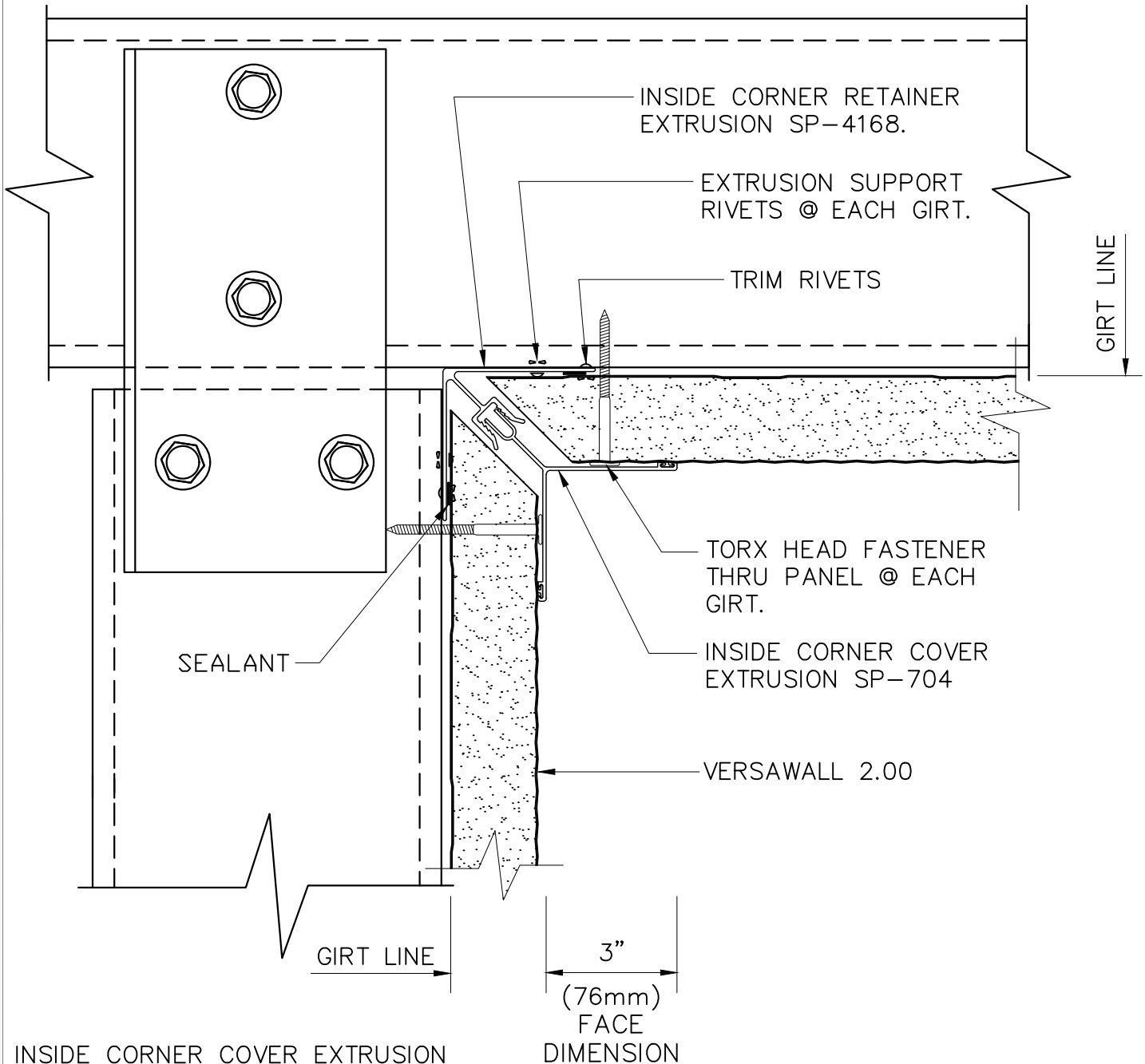
DATE: JUNE 2020



# Versawall V And V+ ®

## PANEL TYPES

2" (51mm) and 2.75" (70mm)



INSIDE CORNER COVER EXTRUSION  
SP-704 @ 2" (51mm) PANEL  
SP-1646 @ 2.75" (70mm) PANEL

INSIDE CORNER RETAINER EXTRUSION  
SP-4168 @ 2" (51mm) PANEL  
SP-4168 @ 2.75" (70mm) PANEL

NOTE: FILL ANY  
REMAINING VOID IN  
EXTRUSION CAVITY  
WITH BATT  
INSULATION.

VERTICAL APPLICATION

DETAIL 10: 2" I.S. CORNER  
(1 OF 2)

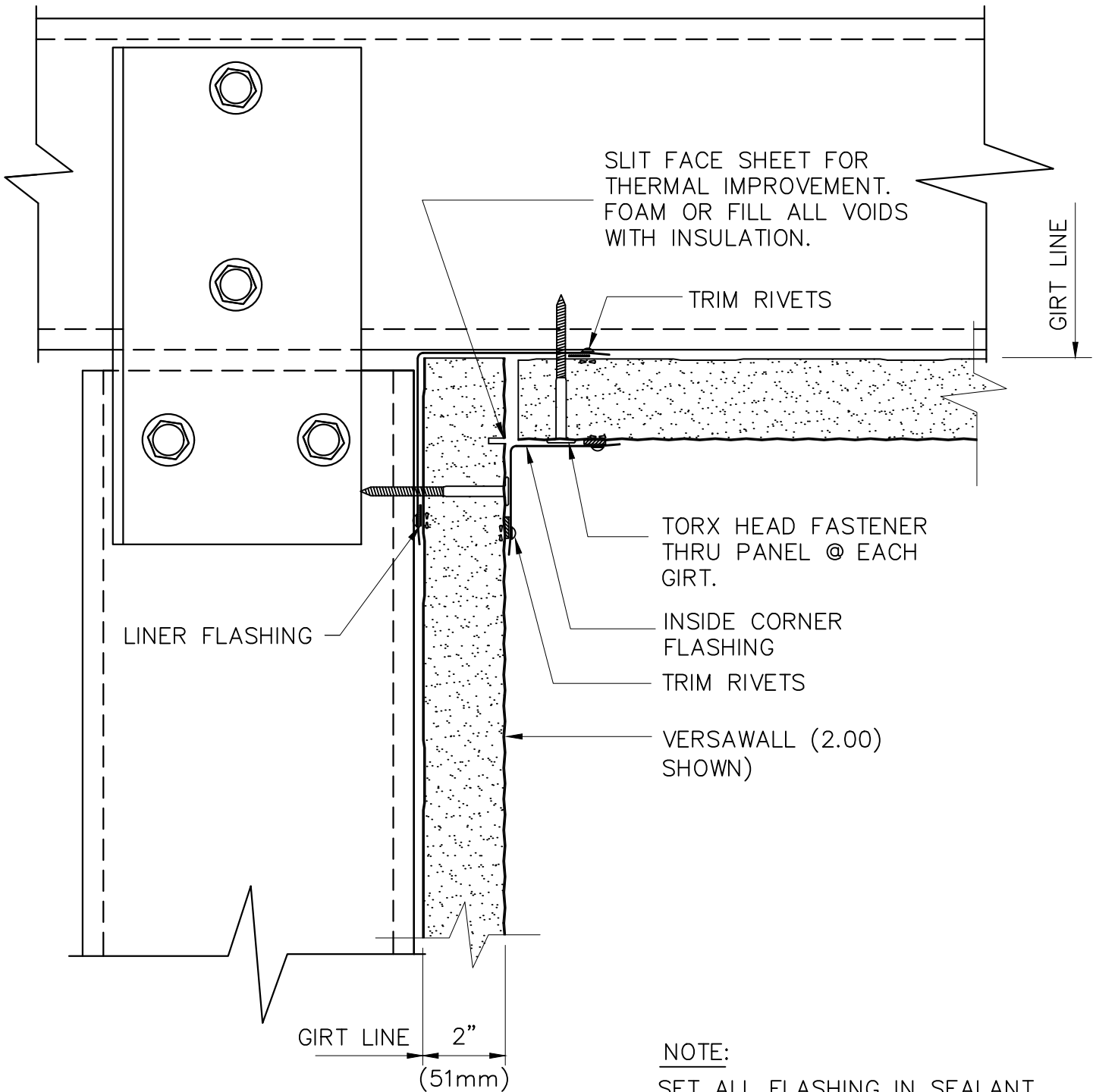
DATE: JUNE 2020



# Versawall V And V+ ®

## PANEL TYPES

2" (51mm), 2.75" (70mm) and 4" (102mm)



VERTICAL APPLICATION

DETAIL 10a: 2" I.S. CORNER  
(2 OF 2)

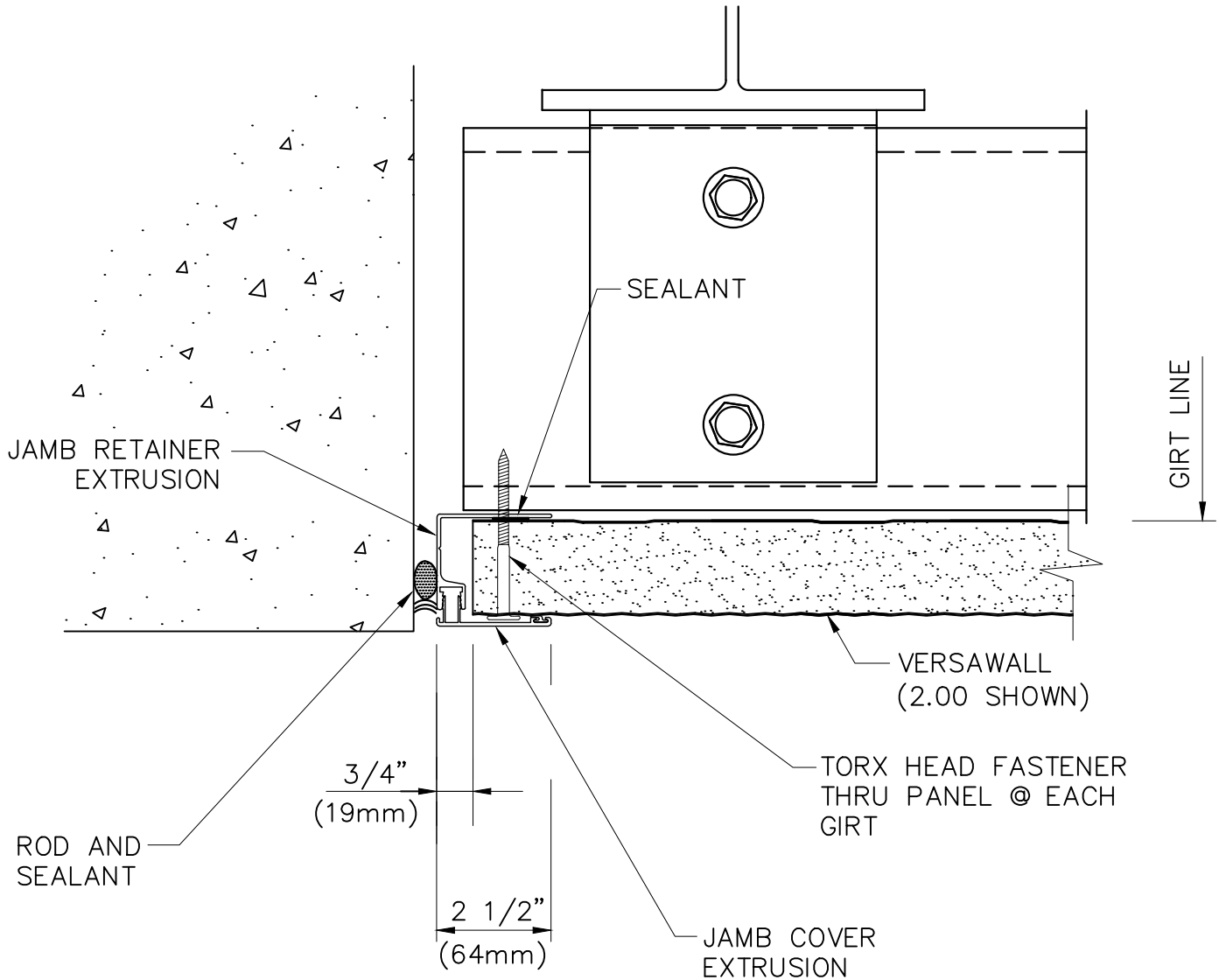
DATE: JUNE 2020



# Versawall V And V+ ®

## PANEL TYPES

2" (51mm), 2.75" (70mm) and 4" (102mm)



### JAMB COVER EXTRUSION

- SP-601 @ 2" (51mm) PANEL
- SP-601 @ 2.75" (70mm) PANEL
- SP-601 @ 4" (102mm) PANEL

### JAMB RETAINER EXTRUSION

- SP-216 @ 2" (51mm) PANEL
- SP-1643 @ 2.75" (70mm) PANEL
- SP-4428 @ 4" (102mm) PANEL

VERTICAL APPLICATION

DETAIL 11: 2" END WALL  
(1 OF 2)

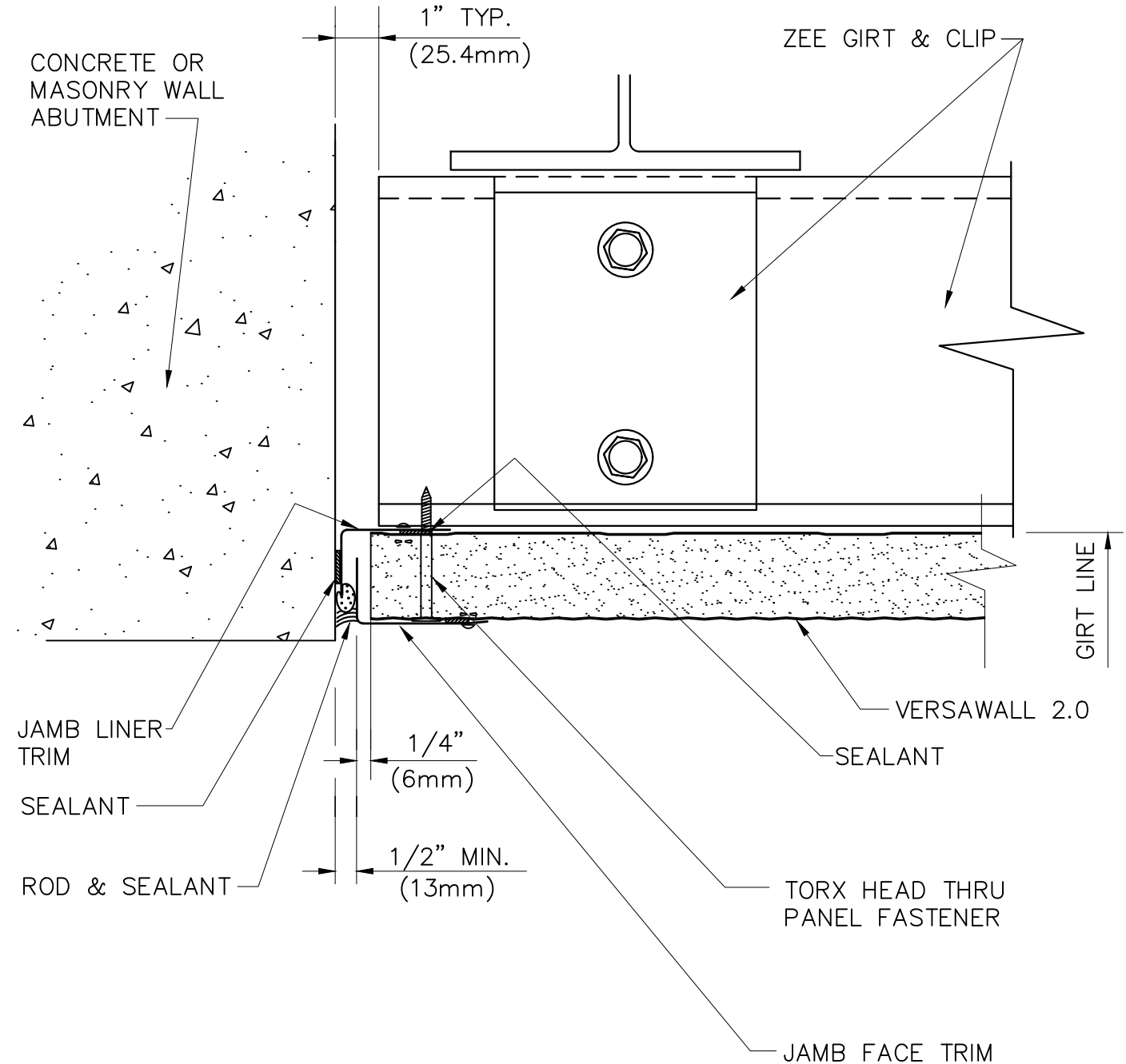
DATE: JUNE 2020



# Versawall V And V+ ®

## PANEL TYPES

2" (51mm), 2.75" (70mm) and 4" (102mm)



VERTICAL APPLICATION

DETAIL 11a: 2" END WALL  
(2 OF 2)

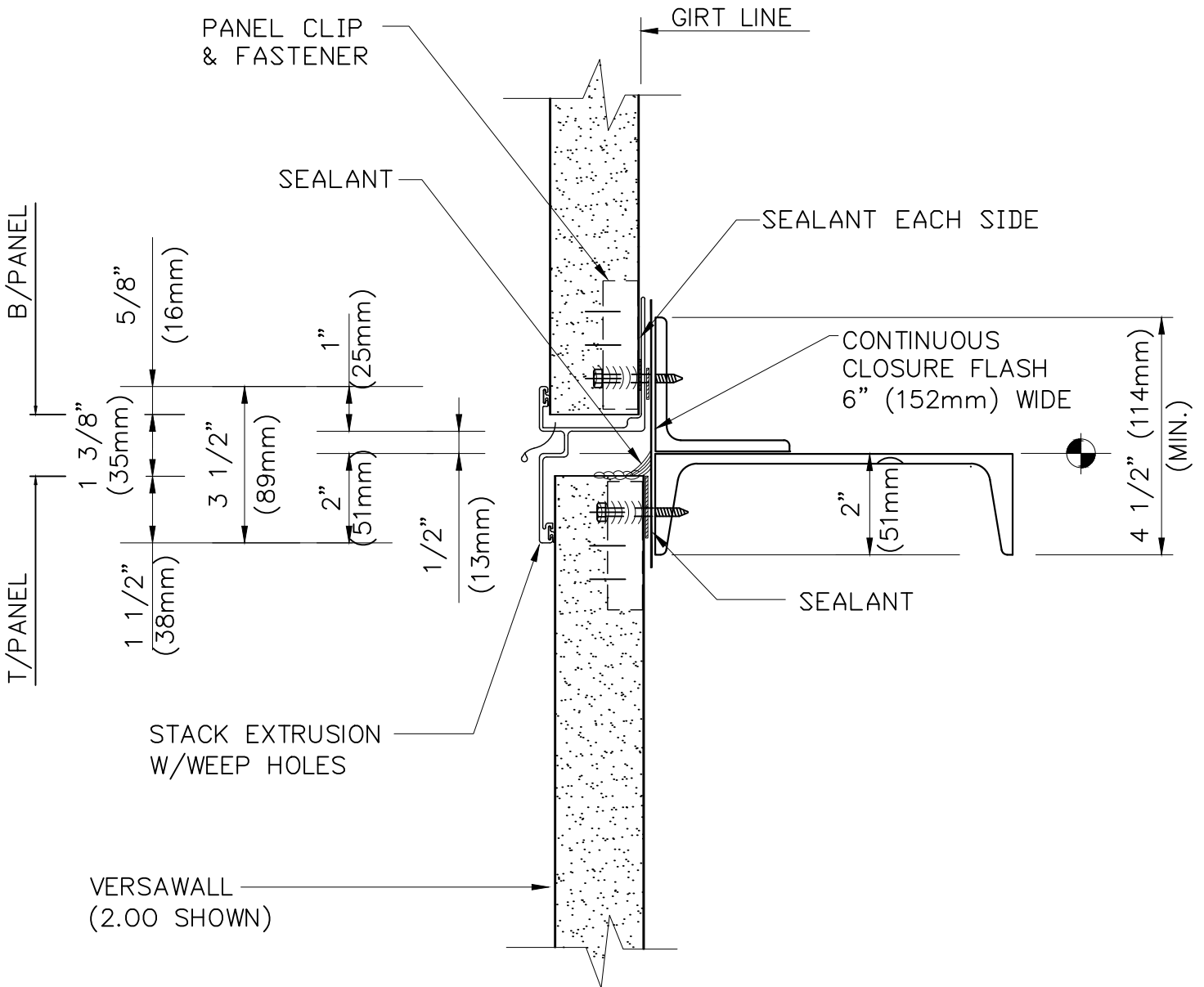
DATE: JUNE 2020



# Versawall V And V+ ®

## PANEL TYPES

2" (51mm), 2.75" (70mm) and 4" (102mm)



### STACK EXTRUSION

- SP-600 @ 2" (51mm) PANEL
- SP-1642 @ 2.75" (70mm) PANEL
- SP-4390 @ 4" (102mm) PANEL

VERTICAL APPLICATION

DETAIL 12: 2" STACK  
(1 OF 3)

DATE: JUNE 2020

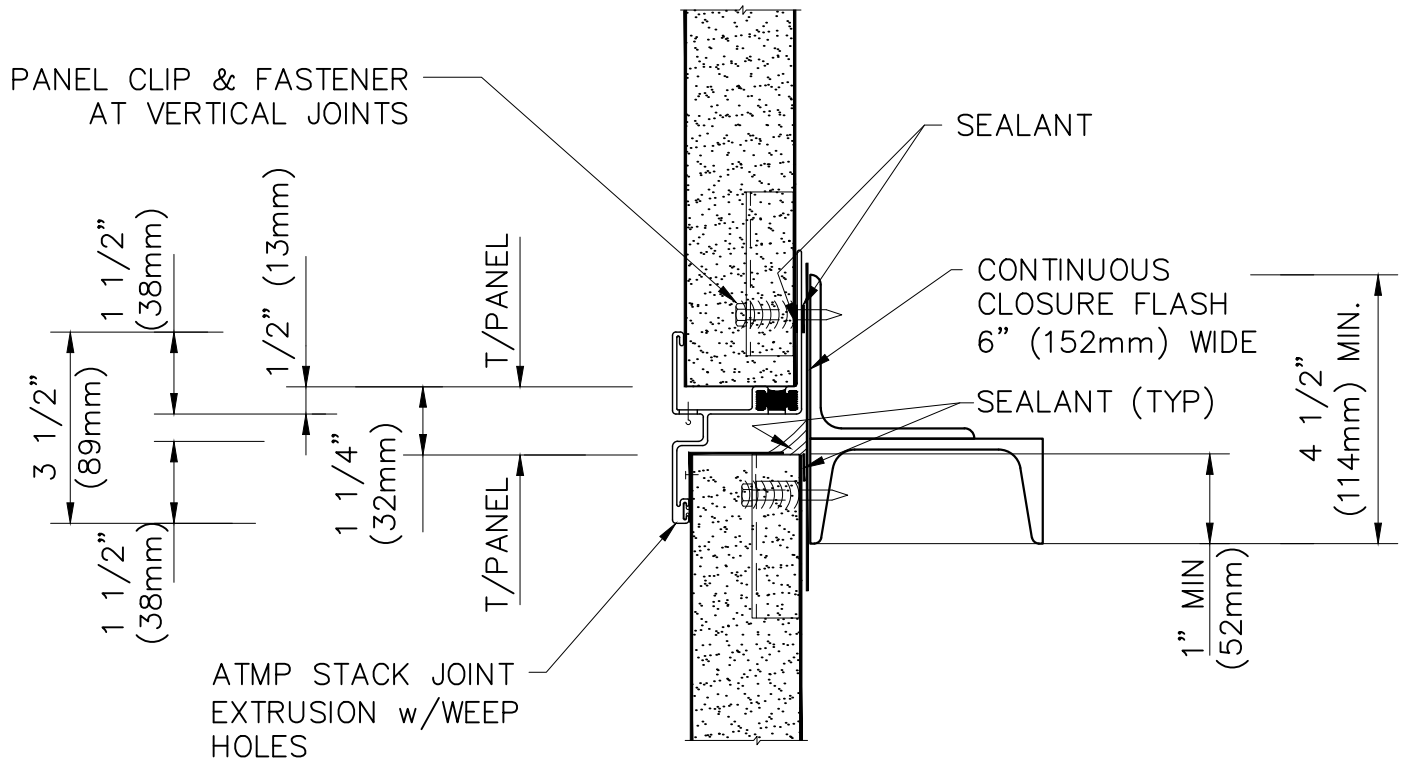




# Versawall V And V+ ®

## PANEL TYPE

2" (51mm)



ATMP STACK JOINT EXTRUSION  
SP-4176 @ 2" (51mm) PANEL

VERTICAL APPLICATION

DETAIL 12a: 2" STACK  
(2 OF 3)

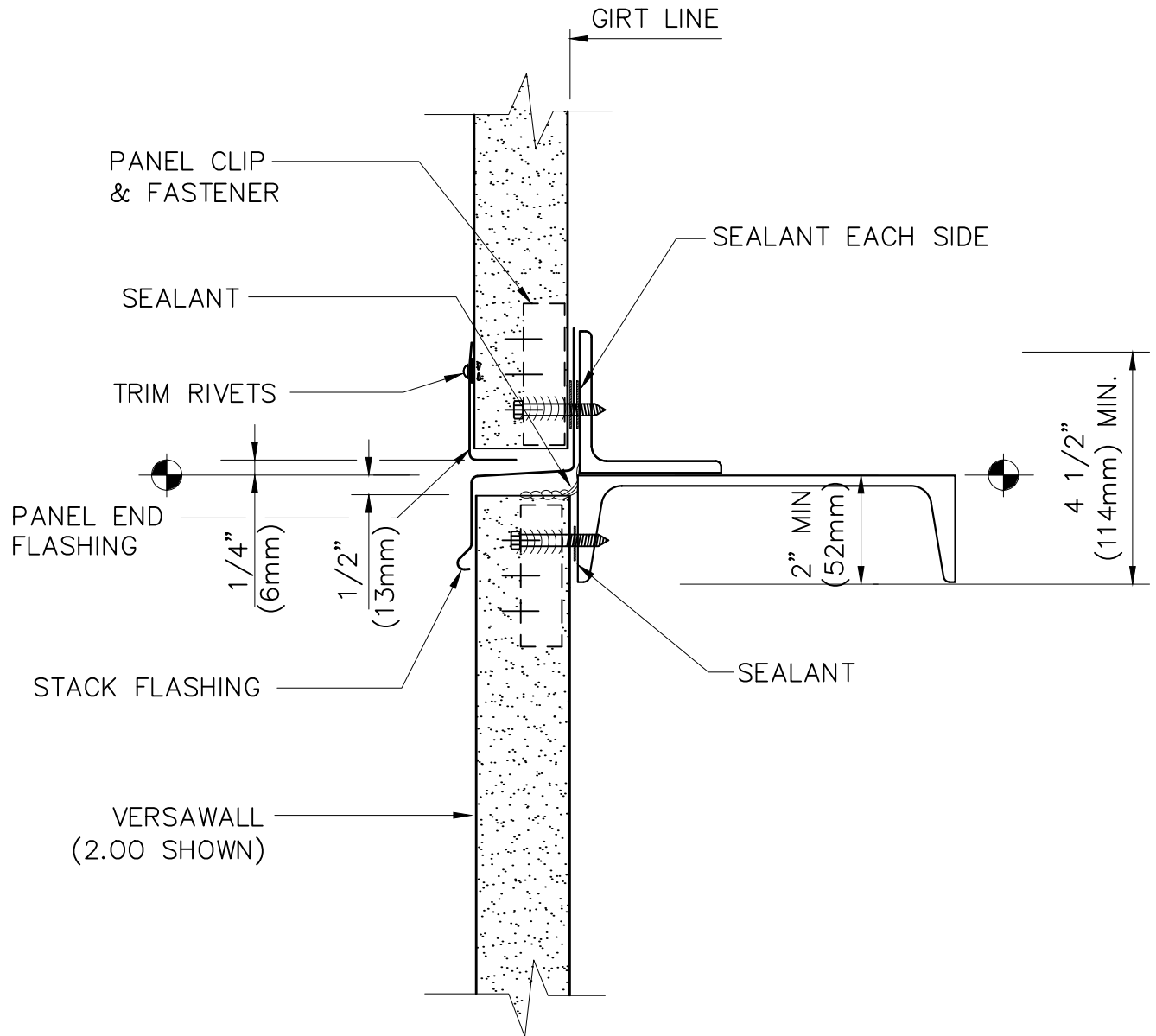
DATE: JUNE 2020



# Versawall V And V+ ®

## PANEL TYPES

2" (51mm), 2.75" (70mm) and 4" (102mm)



VERTICAL APPLICATION

DETAIL 12b: 2" STACK  
(3 OF 3)

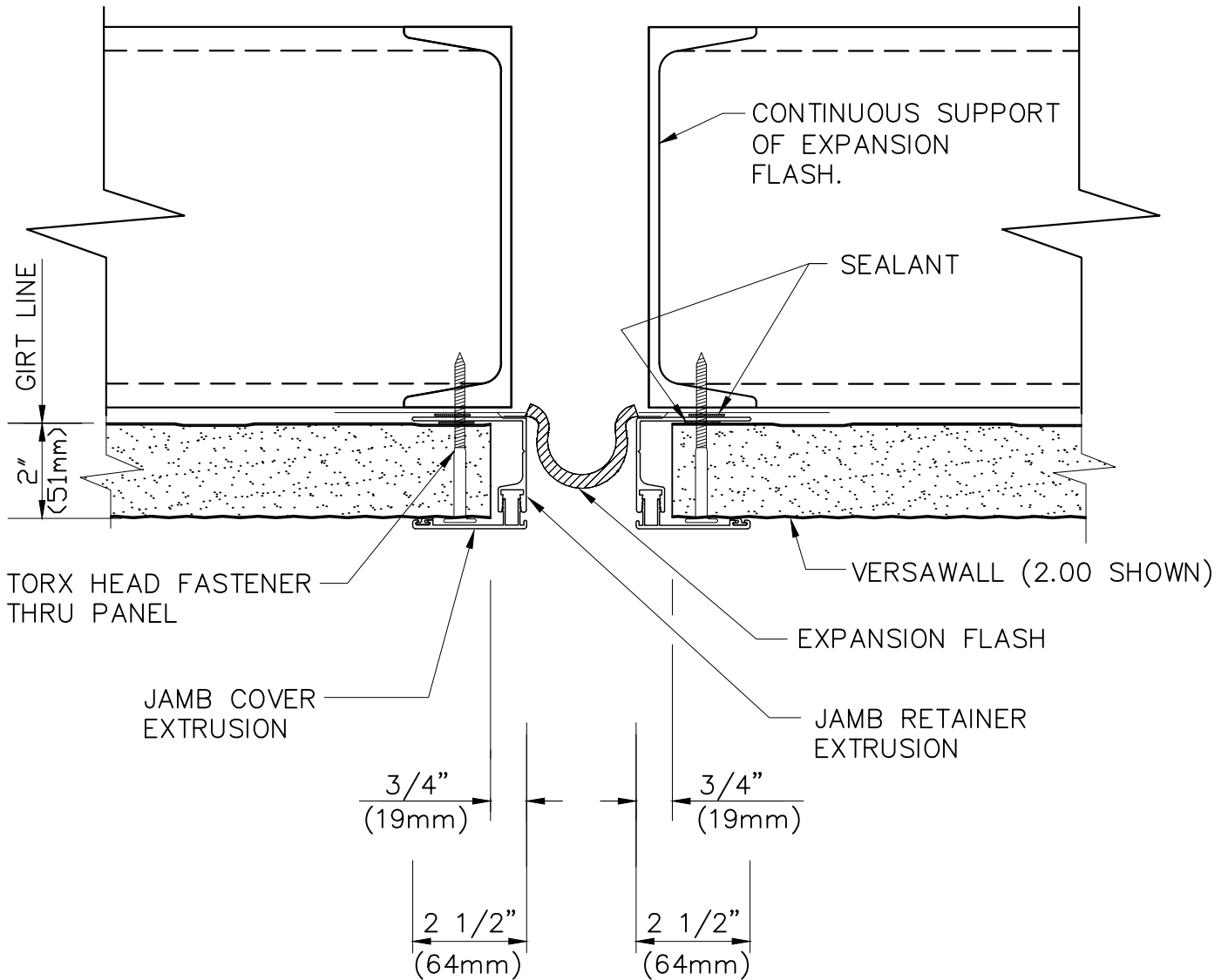
DATE: JUNE 2020



# Versawall V And V+ ®

## PANEL TYPES

2" (51mm), 2.75" (70mm) and 4" (102mm)



### JAMB COVER EXTRUSION

- SP-601 @ 2" (51mm) PANEL
- SP-601 @ 2.75" (70mm) PANEL
- SP-601 @ 4" (102mm) PANEL

### JAMB RETAINER EXTRUSION

- SP-216 @ 2" (51mm) PANEL
- SP-1643 @ 2.75" (70mm) PANEL
- SP-4428 @ 4" (102mm) PANEL

VERTICAL APPLICATION

DETAIL 13: 2" EXPANSION JOINT  
(1 OF 2)

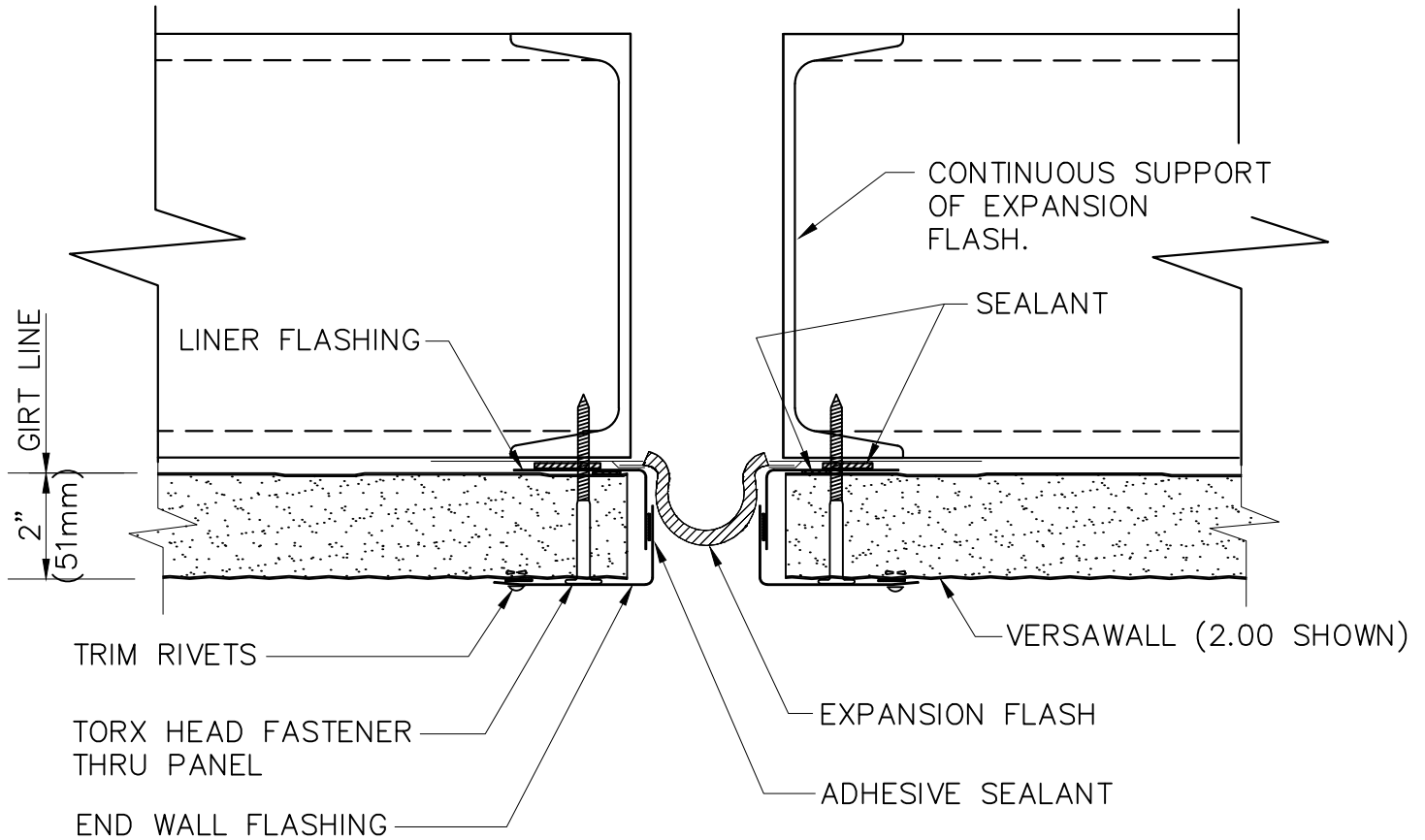
DATE: JUNE 2020



# Versawall V And V+ ®

## PANEL TYPES

2" (51mm), 2.75" (70mm) and 4" (102mm)



VERTICAL APPLICATION

DETAIL 13a: 2" EXPANSION JOINT  
(2 OF 2)

DATE: JUNE 2020

