

# PRODUCT OVERVIEW

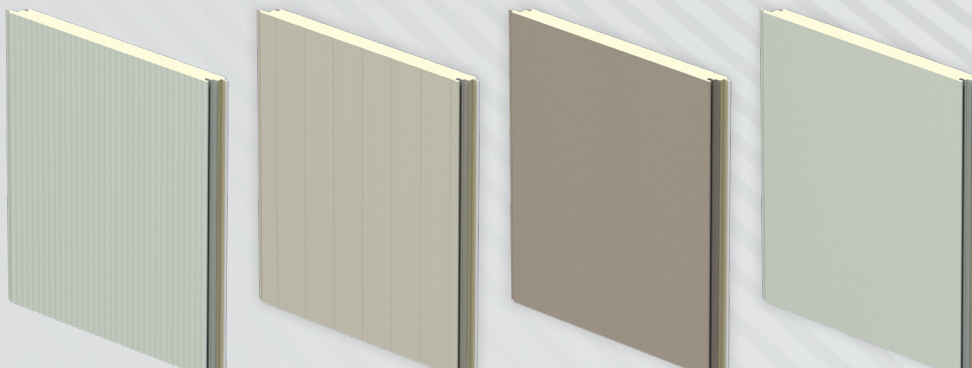
## VERSAWALL® SERIES

Commercial & Industrial Wall Systems

### VERSATILITY MEETS PERFORMANCE

CENTRIA's commercial and industrial insulated metal panels deliver the industry's best combination of aesthetics, performance, sustainability and value. These lightweight panels serve as a complete barrier wall and integrate easily with other components, such as windows, louvers, and sunshades to create a comprehensive building envelope solution. Versawall panels are an all-in-one solution which eliminate the need for separate batt or board insulation, exterior sheathing and vapor barriers.

Virtually any market segment can benefit from the strength, beauty and efficiency of the Versawall series of panels including office buildings, hospitals, arenas, warehouses and many more.

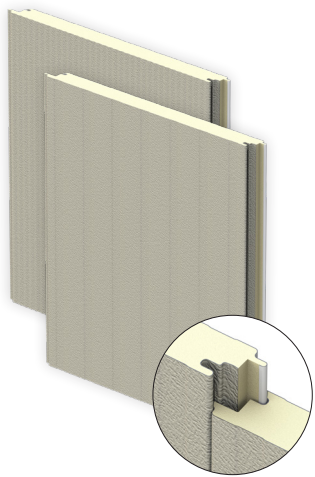


# SERIES OPTIONS

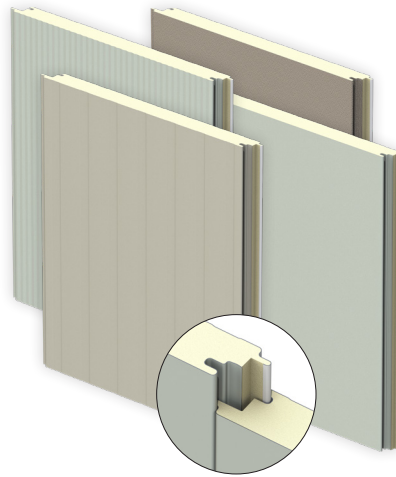
## Versatility Meets Performance

Versawall series is comprised of Versawall H+, Versawall V+, and Versawall V depending on horizontal or vertical applications and embossing preferences. From an aesthetic standpoint, Versawall concealed fasteners offer a clean, uninterrupted appearance and install quickly in all weather conditions. Available in lengths up to 52' and thickness options ranging from 2"-4", the Versawall panels meet today's demanding thermal performance requirements.

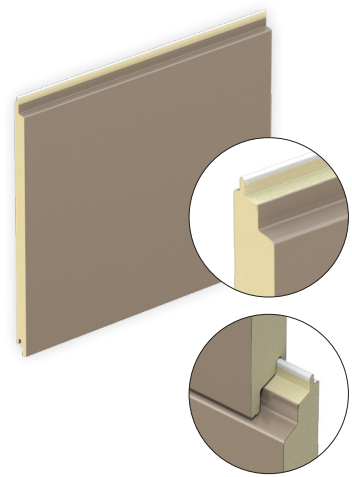
### VERSAWALL V®



### VERSAWALL V+®

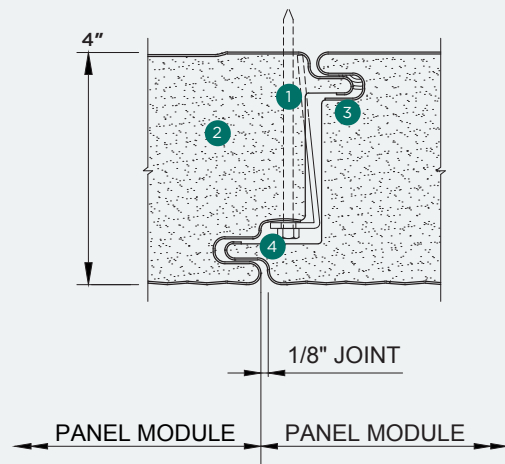


### VERSAWALL H+®



## PANEL DETAILS

- 1 Thermal break prevents conduction between face and liner panels
- 2 High-efficiency 90% closed cell CFC-free foam insulation
- 3 Weathertight tongue-and-groove joinery with factory-applied non-curing vapor-resistant sealant that provides a complete air and vapor barrier
- 4 Concealed clip fastening system provides a clean uninterrupted surface and ability for panels to accommodate building movement



## BUILDING CODE APPROVALS

### Fire Tests

- ASTM E84
  - a. Flame Spread 25 max.
  - b. Smoke Development 450 max.
- NFPA 268; Ignition
- NFPA 259; Potential Heat
- NFPA 285; Multistory Fire Test

### Special Approvals\*

- Factory Mutual FM4880 and FM4881
- Missile impact
- Environmental product declaration (EPD) certified by UL Environment
- LA City Research Report

\*V and V+ only. Consult CENTRIA for additional testing.





# SPECS

## PANEL ATTRIBUTES

PANEL	ORIENTATION	THICKNESS	THERMAL VALUES*	PROFILE AND LENGTH			MODULE
<b>Versawall V</b>	Vertical	2" [51mm] 2¾" [70mm] 4" [102mm]	R-16.2 (U=0.065) R-22.3 (U=0.048) R-32.5 (U=0.036)	Embossed	Planked	6' [1.8m] - 52' [15.8m]	30" [762mm] 36" [914mm]
					Striated	6' [1.8m] - 52' [15.8m]	
<b>Versawall V+</b>	Vertical	2" [51mm] 2¾" [70mm] 4" [102mm]	R-16.2 (U=0.065) R-22.3 (U=0.048) R-32.5 (U=0.036)	Embossed	Flat <b>Dark Colors</b>	6' [1.8m] - 21' [6.4m]	30" [762mm] 36" [914mm]
					Flat <b>Light Colors</b>	6' [1.8m] - 37' [11.3m]	
				Smooth	Flat	6' [1.8m] - 20' [6.1m]	
					Planked	6' [1.8m] - 20' [6.1m]	
Striated	6' [1.8m] - 20' [6.1m]						
<b>Versawall H+</b>	Horizontal	2" [51mm] 3" [76.2mm]	R-16.2 (U= 0.068) R-24.4 (U=0.045)	Embossed	Flat <b>Dark Colors</b>	6' [1.8m] - 21' [6.4m]	30" [762mm] 36" [914mm]
					Flat <b>Light Colors</b>	6' [1.8m] - 37' [11.3m]	
				Smooth	Flat	6' [1.8m] - 20' [6.1m]	

\*R-Values are based on ASTM C1363<sup>1</sup> testing  
<sup>1</sup> Trimless ends & Folded Corners - Field Formed  
 Gasket, Flashing, extrusion - vertical joint.

## PANEL SPECIFICATION

### Joinery

#### H+

Pressure Equalized, tongue-and-groove, with factory applied air and vapor seal

#### V+, V

Double tongue-and-groove with factory applied air and vapor seal

### Surface finish

#### Interior

- Non-directional embossing, planked

#### Exterior

- Non-directional embossing, Striated, Planked or Flat
- Smooth, Striated, Planked or Flat

### Exterior Substrates

#### H+

Standard 22/26 gauge Embossed

Optional gauges available:

- 20 ga. embossed
- 20, 22 ga. smooth

#### V+, V

Standard 26/26 gauge (0.45mm/0.45mm), Embossed, Striated, ASTM A653, Grade 37, G-90 galvanized steel face and liner with Foamed-in-place polyisocyanurate (PIR)

Optional gauges available:

- 20, 22, 24 ga. Embossed, Striated or Planked
- 20, 22 ga. Embossed, Flat
- 20, 22 ga. Smooth, Flat or Planked



# PERFORMANCE

Speed of installation, clean appearance and cost savings are only a few of the features Versawall wall panels deliver consistently.

## AESTHETICS

- Concealed clips and fasteners offer a clean, uninterrupted surface.
- Panels can be finished with a number of PVDF finishes or coated with CENTRIA's textured Allura finish.
- Embossed and smooth finish options achieve different panel textures and desired appearances.
- Available options include factory-formed sheet metal flashing or extruded aluminum trim.
- Vertical panels developed to seamlessly integrate with CENTRIA's Formavue® Window system.

## PERFORMANCE

- Lightly planked interior liner works compositely with the face sheet to provide greater strength and allow longer spans.
- Weathertight double tongue-and-groove vertical joinery with factory-applied, non-curing, vapor-resistant sealant provides a complete air and vapor barrier.
- Thermal break prevents conduction between face and liner panels and, in turn, provides better insulation values.
- High-efficiency 90% closed cell CFC-free foam insulation.

## SUSTAINABILITY

- Can help contribute points to obtain LEED Certification.

## VALUE

- The high thermal performance of our insulated foam panels makes it possible to reduce HVAC requirements.
- In-house technical and customer service staff provides exemplary service from start to finish.
- Simplified installation reduces both time on the jobsite and project costs.
- Certified Installer network ensures proper installation to realize cost savings and building integrity.



**CENTRIA.com**  
1.800.759.7474

1550 Coraopolis Heights Rd.  
Suite 500  
Moon Township  
PA 15108-2944



Descriptions and specifications contained herein were in effect at the time this publication was approved for printing. In a continuing effort to refine and improve products, CENTRIA reserves the right to discontinue products at any time or change specifications and/or designs without incurring obligation. To ensure you have the latest information available, please inquire or visit our website at [CENTRIA.com](http://CENTRIA.com).

USGBC® and the related logo are trademarks owned by the U.S. Green Building Council and are used with permission. Reference VW -6/20 5M NJ/AP  
Copyright © 2020 CENTRIA, part of the **Cornerstone Building Brands** family. Printed in the U.S.A.