



Limited Lifetime Warranty

Residential Vinyl Windows and Patio Doors

Subject to the terms and conditions stated herein, American Craftsman[®] window and/or patio door products (including mechanical parts, components and insulated glass), are warranted to be free from the following defects in manufacturing, materials and workmanship to the Original Purchaser for the lifetime of the product:

- a) Blistering, peeling, flaking, rotting or corrosion.
- b) Material obstruction of vision on the internal surfaces of the insulated glass unit caused by seal failure of the insulated glass unit.

In the event a failure occurs as a result of a defect in manufacturing, materials or workmanship within the limited warranty period, American Craftsman, upon receipt of the original part/component/material or validation of the complaint, will at its option: 1) provide a new replacement part/component/material; or 2) provide a factory-authorized repair to the existing part/component/material; or 3) refund the purchase price or the retailer's/dealer's price at the time of the original purchase, whichever is less. American Craftsman reserves the right to require return of the defective part(s)/component(s)/material(s).

Patio Doors with Shades/Blinds in Insulated Glass

Subject to the terms and conditions stated herein, the shades/blinds in insulated glass (including insulated glass, shade/blind insulated glass seal and external control mechanisms attached to the glass) in American Craftsman[®] patio doors are warranted to be free from defects in manufacturing, materials and workmanship to the Original Purchaser for ten (10) years from the date of purchase from the dealer.

In the event a failure occurs as a result of a defect in manufacturing, materials or workmanship within the limited warranty period, American Craftsman, upon receipt of the original part/component/material or validation of the complaint, will at its option: 1) provide a new replacement part/component/material; or 2) provide a factory-authorized repair to the existing part/component/material; or 3) refund the purchase price or the retailer's/dealer's price at the time of the original purchase, whichever is less. American Craftsman reserves the right to require return of the defective part(s)/component(s)/material(s).

Residential Vinyl Windows and Patio Doors in Commercial Applications

American Craftsman[®] windows and doors installed in a building operated as a multi-family dwelling or used for commercial purposes or rental properties such as schools, houses of worship, apartment complexes, government-owned structures, office buildings, etc., are warranted to be free from defects in manufacturing, materials and workmanship to the Original Purchaser for ten (10) years from the date of purchase from the dealer. In the event a failure occurs as a result of a defect in manufacturing, materials or workmanship within the limited warranty period, American Craftsman, upon receipt of the original part/component/material or validation of the complaint, will at its option: 1) provide a new replacement part/component/material; or 2) provide a factory-authorized repair to the existing part/component/material; or 3) refund the purchase price or the retailer's/dealer's price at the time of the original purchase, whichever is less. American Craftsman reserves the right to require return of the defective part(s)/component(s)/materials.

What is NOT Covered by This Limited Warranty

Product failure or damage due to the following:

- The improper installation of the product.
- The improper application or use of the product.
- The occurrence of accidents, vandalism, fire, floods, acts of God including, but not limited to, earthquakes and hurricanes.
- Any modification or alteration to the product.
- The failure to perform reasonable and necessary maintenance on the product.
- The neglect, abuse, improper handling and/or improper storage of the product.
- Exposure of the product to excessive heat and/or cold beyond naturally occurring conditions.
- Stresses caused by building defects or settlement or movement of the structure in which the product is installed.
- The application of harmful cleaning solutions or products including, but not limited to, acetone, petroleum products or abrasive compounds.
- Misalignment of grilles/muntins of 1/8" or less from appropriate position.
- Slight fading and/or color variations caused by normal aging or weathering.
- Torn or ripped insect screens for any cause whatsoever.

- The improper removal of any permanent warning or identification labels from the product or products.
- The rusting or corrosion of non-vinyl products or components due to the close proximity to coastal areas unless the product is composed of appropriate stainless steel or other non-corrosive hardware.
- Installation of the product or products outside of the 48 contiguous United States.

Additional Items Excluded From This Limited Warranty

- Minor blemishes in the glass that do not significantly impair the structure or vision through the glass, including glass curvature.
- Color variation or variations of the glass.
- Glass breakage for any cause or any reason.
- Damage due to exposure to stresses arising from glass surface temperature differentials or caused by building settlement or movement.
- Condensation on the external surfaces of the window and/or glass, which may occur as the natural result of humidity and interior/external temperature differentials.
- Damage due to the transportation or installation of the glass product or products at altitudes in excess of 3,500 feet above or below point of manufacture unless equipped with capillary or breather tubes.
- The very gradual, natural migration of inert gas used in insulated glass units.
- Improper application, alteration, modification, or use of the insulated glass units, including the application of aftermarket films.

For quality assurance purposes, all window and patio door products should be inspected by the Original Purchaser prior to, at the time of installation, or upon transfer of title to the Original Occupant.

General Conditions and Exclusions

The limited warranty set forth in this document is the only express warranty (either written or oral) applicable to American Craftsman[®] windows and doors, and no one is authorized to modify or expand this limited warranty. All warranty claims must be made during the applicable warranty period.

ALL IMPLIED WARRANTIES INCLUDING MERCHANTABILITY AND FITNESS FOR A PARTICULAR PURPOSE ARE LIMITED TO THE APPLICABLE STATUTE OF LIMITATION, BUT IN NO CASE WILL EXTEND BEYOND THE TERM OF THE LIMITED WARRANTIES SET FORTH ABOVE. AMERICAN CRAFTSMAN EXCLUDES AND WILL NOT PAY FOR INCIDENTAL OR CONSEQUENTIAL DAMAGES, WHETHER ARISING OUT OF CONTRACT, TORT OR OTHERWISE, AND ITS LIABILITY WILL IN ALL INSTANCES BE LIMITED TO THE REPAIR OR REPLACEMENT OR REFUND OF THE ACTUAL PURCHASE PRICE OF THE DEFECTIVE PRODUCT.

Some states do not allow limitations on how long an implied warranty lasts and/or the exclusion or limitation of incidental or consequential damages, so the above limitations may not apply to you. These warranties give you specific legal rights and you may also have other rights which vary from state to state.

The warranties cover replacement parts, components and/or materials only, and American Craftsman does not assume any expense or responsibility involved with the removal and/or reinstallation of any replacement parts, components or materials. American Craftsman reserves the right to discontinue the model or models manufactured under these warranties. Any discontinued parts, components or materials may be replaced with an equivalent part at the sole discretion of American Craftsman. American Craftsman is not responsible for any color variation in the replacement part, component or material. American Craftsman is not responsible for any window or door which has been modified in any manner to accommodate an alarm system which may be attached to the product nor is it responsible for the reconnecting of the window or door to the alarm system. American Craftsman reserves the right to inspect any and all products with alleged defects in the field. Field visits may result in service charges for non-warranty inspections.

ELIGIBILITY REQUIREMENTS

Enforceability of the warranties set forth above is limited to the Original Purchaser. The term "Original Purchaser" as used in this limited warranty means:

- That individual, individuals or entity who or which took original title to the premises or are the original occupants of the structure in which the product was installed.

Claim Procedure

Any inquiry with respect to the product must be made in writing and include the Original Purchaser's name, address, date of purchase, product information from the product label and daytime as well as evening telephone numbers.

All claims and/or inquiries should be forwarded to the following address:

American Craftsman Window and Door Company
Attn: Warranty/Registration Department
P.O. Box 6029
North Brunswick, New Jersey 08902-6029

For additional questions, you may contact us by phone at 888-504-0005.

NON-TRANSFERABILITY: The warranties described above are non-transferable and limited to the Original Purchaser as described above.

If any part of the warranties described above is void or unenforceable in any State of the United States, the remaining portions will nonetheless continue in full force and effect.

Installation Instructions Picture Windows

Insert Replacement Windows
(Interior Installation)



americancraftsmanwindows.com

Installation Instructions

Project Requirements:

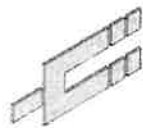
- Installation must comply with all applicable building codes.
- This product is designed to be used as a replacement window installed into an existing wood window frame.
- Existing window, wall and weather-resistant barrier must be adequate and wall must be structurally sound.
- The replacement window should be approximately 1/4" less in both width and height than the opening (minimum clear opening of the existing window frame after removal of sash and components).

If you have questions in regard to project requirements or installation, call 800-234-4228.

Tools & materials required:



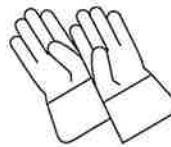
Safety glasses



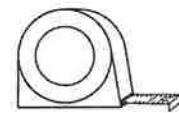
Shims



Hammer



Work gloves



Tape measure



Drill/Driver and
3/16" bit



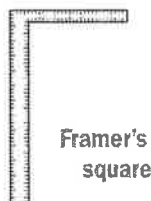
Utility knife



Caulk gun and
sealant



Low expanding
foam



Framer's
square



Putty knife



Level



Dropcloth

Warnings and Cautions:

⚠ WARNING

Use caution when working at elevated heights and around window and door openings. Follow the manufacturers' instructions for ladders and scaffolding. Failure to do so could result in injury or death.

⚠ WARNING

Follow manufacturers' instructions for hand and power tools. Always wear safety glasses. Failure to do so could result in injury, product or property damage.

⚠ WARNING

Windows and doors can be heavy. Use safe lifting techniques and a reasonable number of people with enough strength to lift, carry, and install window and door products. Heavier windows and doors will require mechanical assistance. Failure to do so could result in injury, product or property damage.

⚠ WARNING

Windows and doors have small parts (e.g. hole plugs, operator spline caps, fasteners, etc.). Small parts if swallowed could pose a choking hazard to young children. Dispose of unused, loose, or easily removed small parts. Failure to do so could result in injury.

⚠ WARNING

Sill weep doors are small parts and, if swallowed, could pose a choking hazard to young children.

⚠ WARNING

Support window or door in opening at all times until fastened. Failure to do so could result in window or door falling out causing injury, property or product damage.

⚠ WARNING

Unless specifically ordered, windows are not equipped with safety glass, and if broken, could fragment causing injury. Many laws and building codes require safety glass in locations adjacent to or near doors. Windows are available with safety glass that could reduce the likelihood of injury when broken. Information on safety glass is available from your local dealer.

⚠ WARNING

Do not leave the window opening unattended, especially when small children are present. A fall from the window opening could cause death or serious injury.

⚠ WARNING

Before, during, and after installation, place all tools as well as any casing or window parts on a drop cloth or in a location that will not pose a hazard to installers, customers, or property.

CAUTION

Do not drill or fasten through sill. Product and/or property damage will result.

Warnings and Cautions:

CAUTION

Do not cover weep holes. Property damage may result.

CAUTION

Follow instructions of foam, sealant, and flashing manufacturer regarding safety, material application, compatibility, and periodic maintenance for continued weather resistance of their product. Failure to do so could result in injury, product or property damage.

CAUTION

When insulating between unit frame and rough opening or between units when joining, **DO NOT** overpack batt insulation or overfill with foam. Bowed jambs will result affecting product performance and/or proper operation of unit.

NOTICE

DO NOT apply any type of film to insulating glass. Doing so could cause thermal stress conditions and result in glass damage. Shading devices (e.g. insulated coverings, shutters, etc.) could also cause thermal stress and condensation causing deterioration of windows or doors.

IMPORTANT

Buildings constructed prior to 1978 could contain lead paint which could be disturbed during window or door replacement. For more information on proper management of lead paint, go to: www.epa.gov/lead

CAUTION

Remove or cut ventilation holes in plastic shipping wrap if window is not installed immediately or product damage may occur.

CAUTION

Do not store windows flat or in the sun or product damage may occur.

CAUTION

Weep holes must face the exterior and must be located at the bottom of the window or product and/or property damage may occur.

NOTICE

Use masonry screws when fastening directly into masonry or through a buck into masonry. Failure to do so could affect product performance, and could result in product or property damage.

NOTICE

Important safety information. Leave this information for the building occupant.

NOTICE

DO NOT over drive screws or nails. Doing so could result in product damage.

Fasteners:

⚠ WARNING

Metal fasteners and components could corrode when exposed to preservative-treated or fire-retardant treated lumber. Use approved fasteners and components to fasten window or door. Failure to do so could cause a failure resulting in injury, product or property damage.

Finishing, Cleaning and Maintenance Instructions:

NOTICE

Acid solutions used for cleaning masonry or concrete will damage glass, fasteners, hardware, and metal flashing. Protect window or door and follow cleaning product manufacturer's instructions. If acid contacts window or door, wash all surfaces immediately with clean water.

DO NOT use metal razor blades to clean glass surface. Glass damage could result.

DO NOT use or apply solvents, abrasives, harsh chemicals or cleaners to glass, sash, panels, frame, or window or door components. Doing so will result in product damage.

NOTICE

DO NOT stain or paint weatherstrip, vinyl, glass, or hardware. Doing so could result in product damage.

Read and follow finish manufacturer's instructions and safety information. Failure to do so could result in product damage.

IMPORTANT

Clean glass using liquid glass cleaner.

Clean exterior frame, sash, panels, and insect screens using mild detergent and water with a soft cloth or brush.

For hard to clean areas, use a nonabrasive cleaner.

Installation Instructions

Step 1

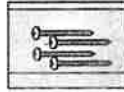
Inspect new window and verify opening.

Inspect for proper size and condition and verify that all parts are included.

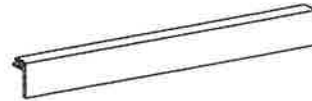
Parts Included:

- (20) #8 x 3" Pan Head Screw
- (4) Installation Hole Cover
- (1) Sill Angle Filler
- (1) Head Expander

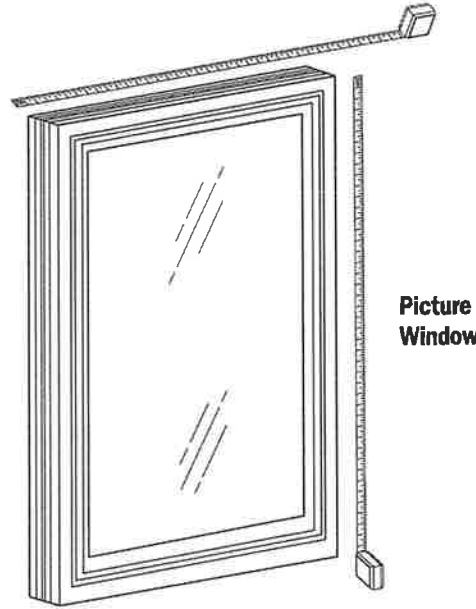
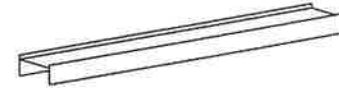
Screw bag



Sill angle filler



Head expander

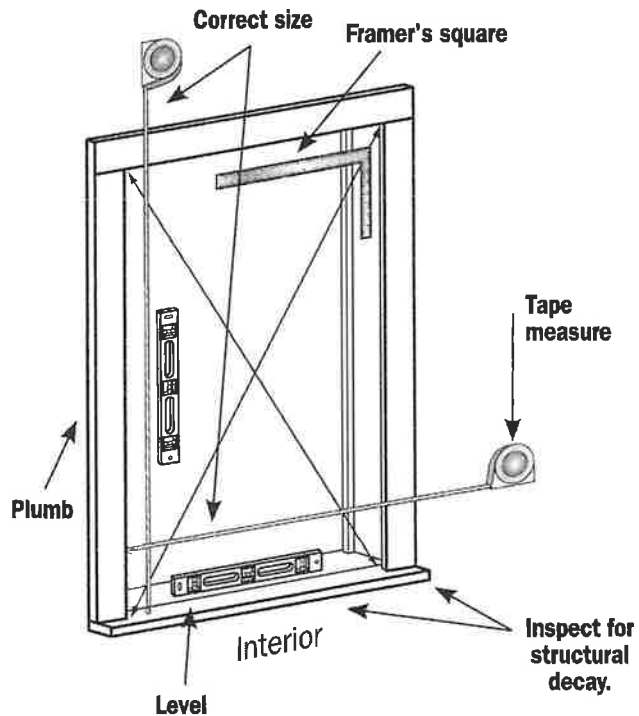


Step 2

Inspect opening.

After removing old window sash, inspect existing window frame and wall for structural decay. Repair as needed.

Make sure the opening is plumb, level and square.

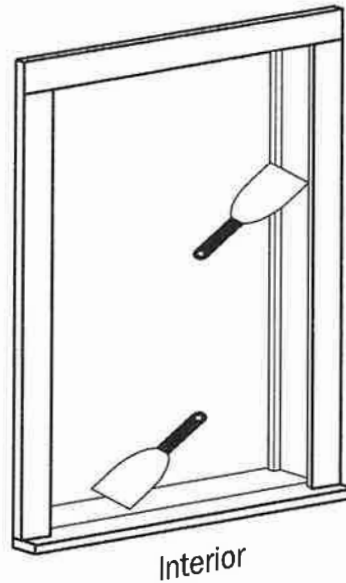


Insert Picture
Replacement Windows

Step 3

Prepare opening.

Clean opening of all debris. Remove any protruding fasteners. Insulate any large areas as needed. Cover or fill all holes.

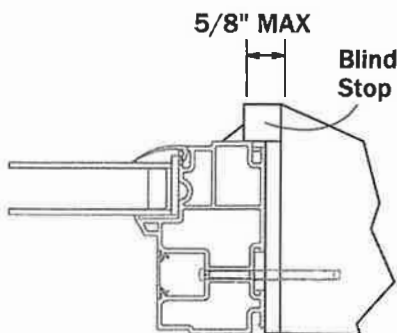
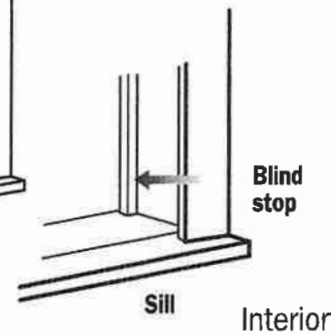
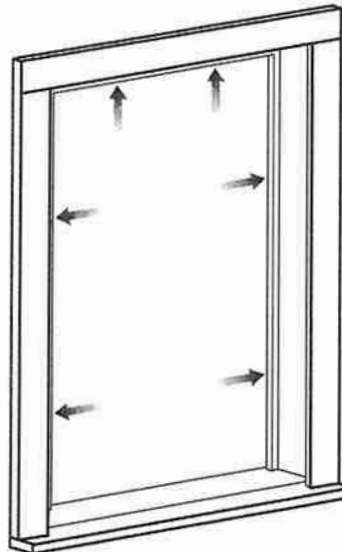


Step 4

Verify blind stop.

Leave existing blind stop intact. If any portion of the blind stop is damaged, the entire stop will need to be replaced.

The stop should cover both sides and the top of the opening. The stop should not exceed 5/8" in width.



Top Cross Section View

Insert Picture
Replacement Windows

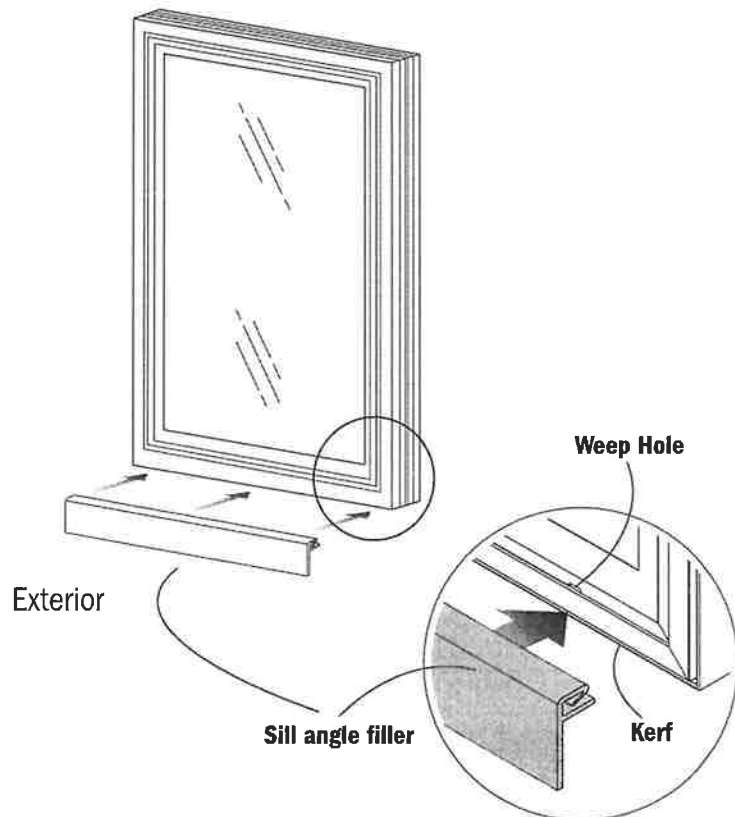
Installation Instructions

Step 5

Install sill angle filler if needed.

If sill of existing window opening is sloped, install supplied sill angle filler in the kerf on the bottom of the window.

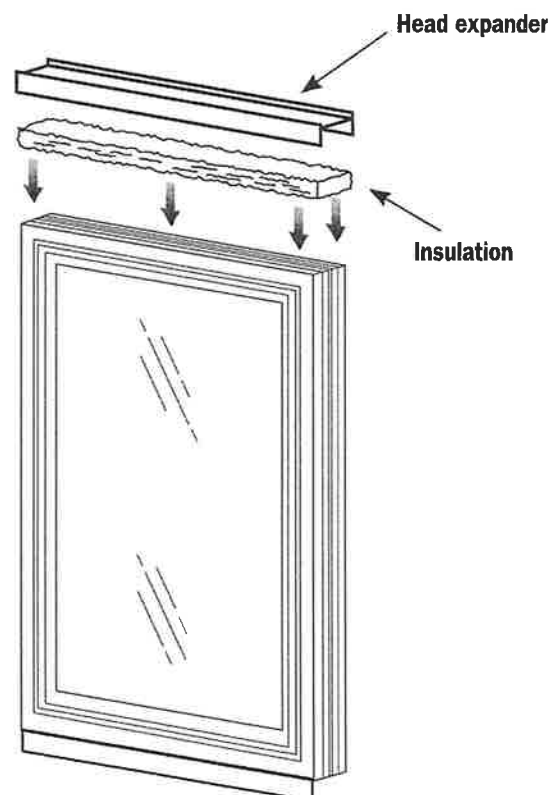
NOTE: Identify the bottom of the window by the presence of weep holes.



Step 6

Install head expander if needed.

If the height of the window opening is higher than what will be covered with interior stops, then place the supplied head expander on top of the window as shown. It is recommended to add fiberglass insulation between head expander and window.



Insert Picture
Replacement Windows

Step 7

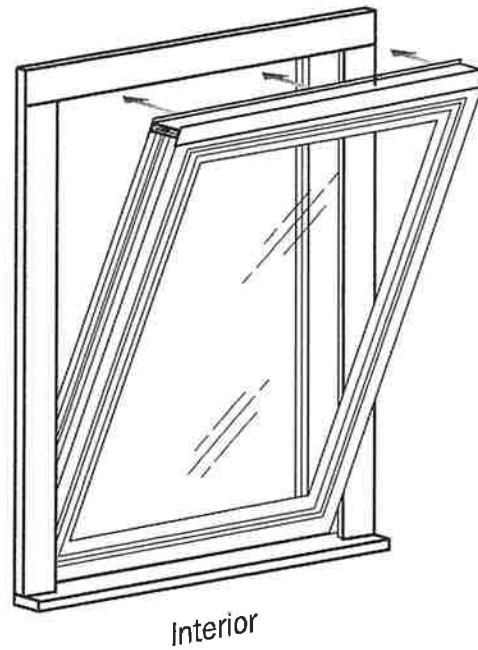
Check fit of window.

Temporarily place window into opening tilting in from bottom and check for fit.

Then remove window.

Adjust and trim sill angle filler as needed.

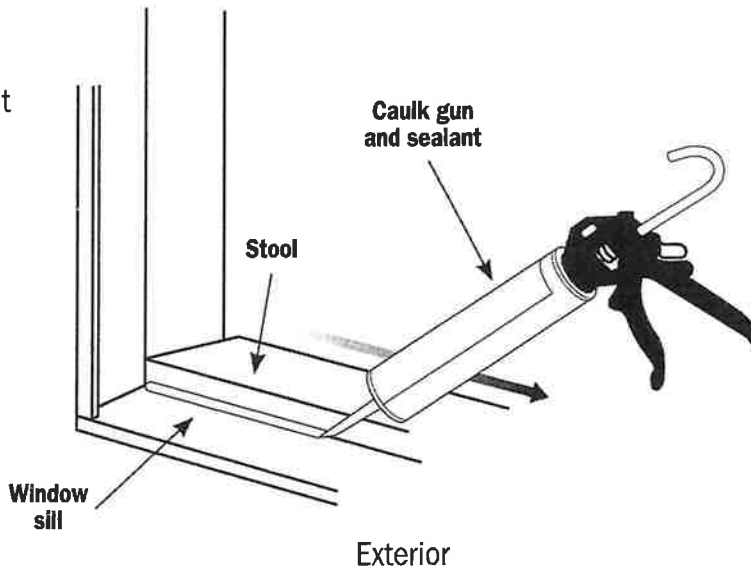
NOTE: Shown with head expander.



Step 8

Apply sealant to sill.

Apply 3/8" bead of sealant where the existing stool meets the window sill.



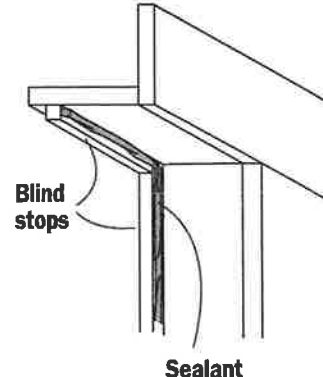
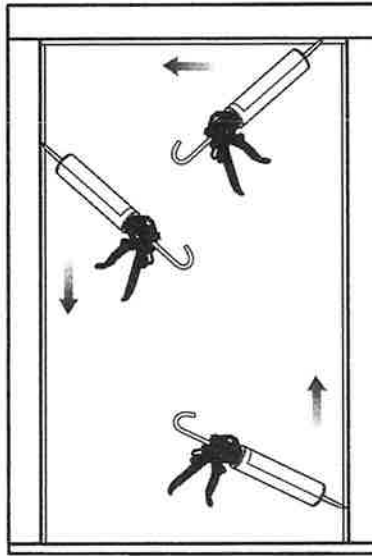
Insert Picture
Replacement Windows

Installation Instructions

Step 9

Apply sealant to blind stop.

Apply 3/8" bead of sealant to inside edge of blind stop at top and both sides.



Sealant
(apply to inside edges of blind stops.)

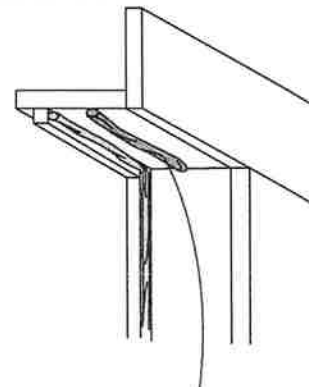
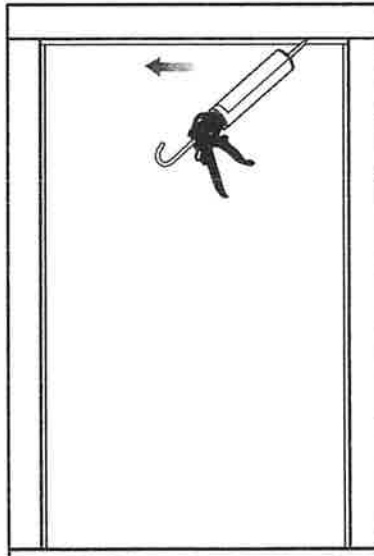
Interior

If using head expander, continue with Step 10. If not using head expander, proceed to Step 11.

Step 10

Apply sealant to top of the window opening (for head expander).

Apply 3/8" bead of sealant to top of the opening in middle across the entire width of the opening if using head expander.



Sealant
(apply to top of opening in the middle across the entire width.)

Interior

Step 11

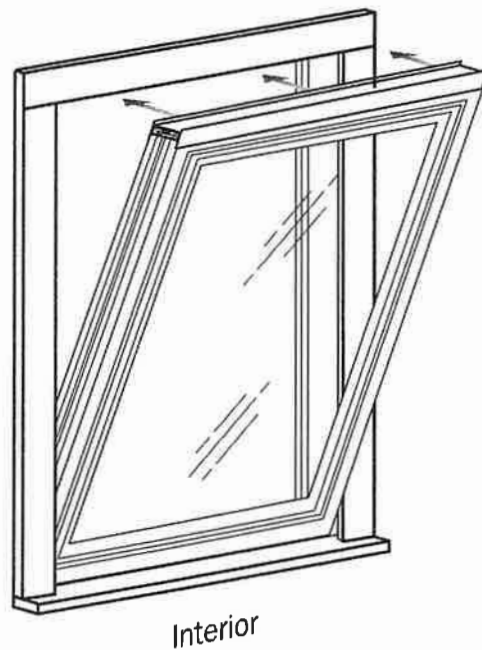
Place window into opening.

Place window into opening, tilting in from bottom. Make sure sill angle filler and head expander remain in place if present.

The bottom interior edge of the window should sit tight against the stool.

If present, the head expander should be pushed up to meet the top of the opening.

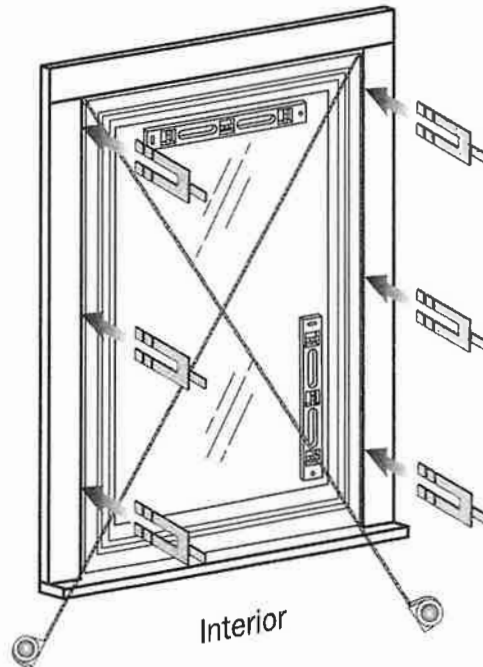
NOTE: Shown with head expander.



Step 12

Shim window and check for plumb.

Shim window so it is plumb, level and square.



Insert Picture
Replacement Windows

Installation Instructions

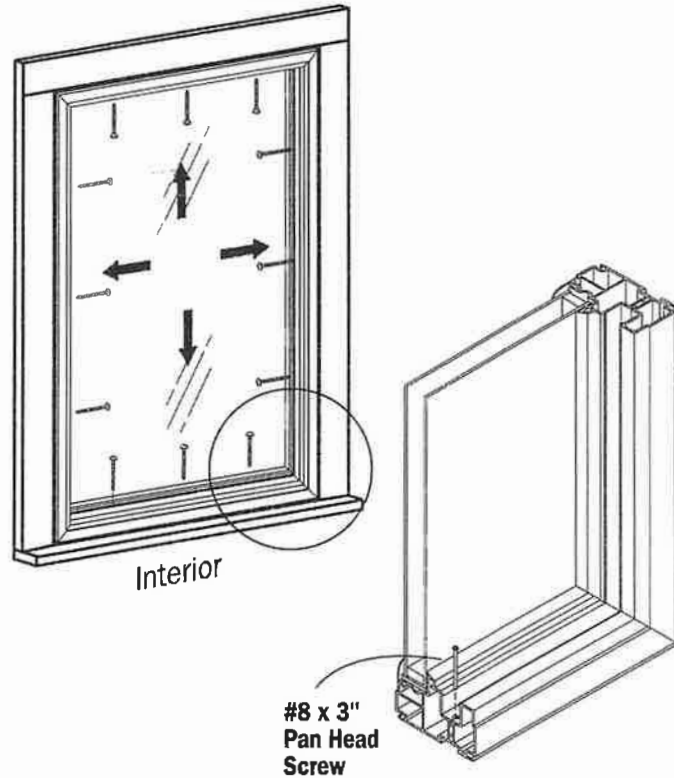
Step 13

Fasten window.

Fasten window to opening with included #8 x 3" screws in each pre-drilled installation hole as shown.

NOTE: If using head expander, use installation holes in head as a guide to pre-drill holes through head expander with 3/16" bit.

NOTE: Pre-drilled installation holes may vary by window size.



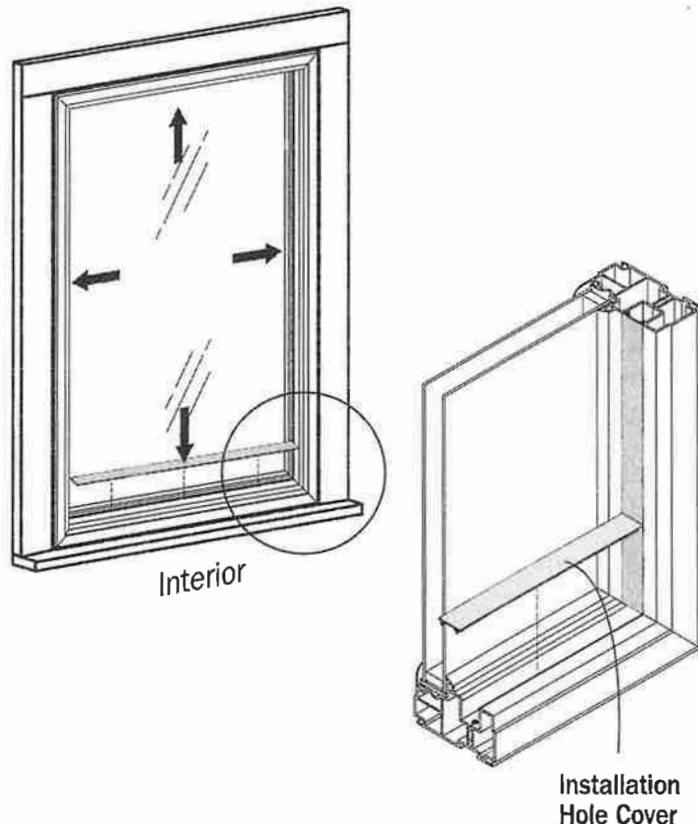
Step 14

Apply installation hole covers to all sides.

Cover installation holes as shown using included installation hole covers.

CAUTION

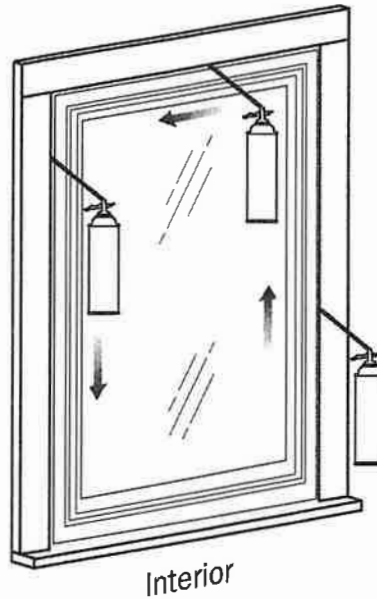
DO NOT apply installation hole covers until installation is complete. Covers are meant to be permanent, and may become damaged if removed.



Step 15

Seal interior.

After shims are trimmed flush with the window frame, seal any opening voids around opening perimeter.

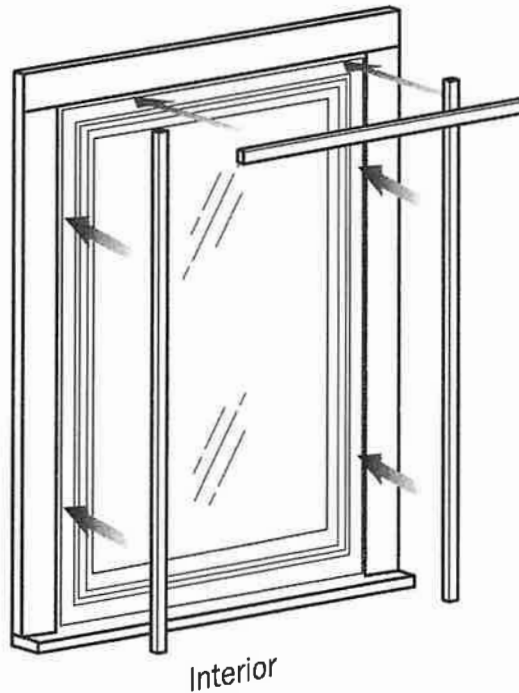


Step 16

Apply interior stops.

Replace or add, if needed, interior stops against the window. Fasten stops to opening frame, being careful to not damage the window.

NOTE: If interior trim is needed, apply now.



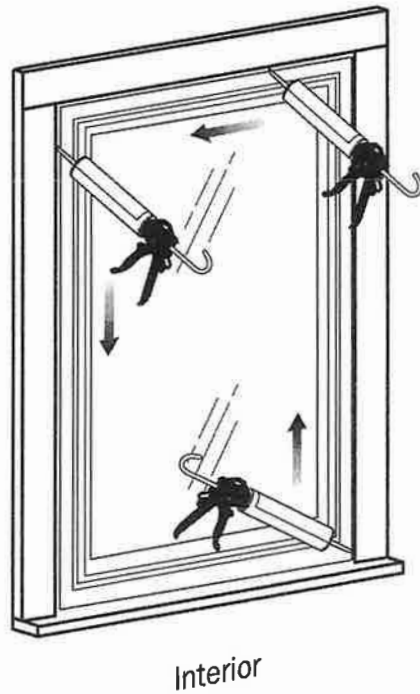
Insert Picture
Replacement Windows

Installation Instructions

Step 17

Apply sealant to interior.

Apply sealant to the interior of the window where the interior stops meet the window and where the head expander, if present, meets the window to seal any gaps.



Step 18

Apply sealant to exterior.

Apply sealant to the exterior perimeter of window where window frame meets the blind stops and sill angle filler. Take care to make sure that all gaps and holes are sealed between the window and the wood frame.

Do not cover weep holes on bottom of window.

