

Project Name: **1427 RANDOLPH STREET**

**ELEVATIONS**

Description:

QUAKER WINDOW PRODUCTS  
WILL NOT BE RESPONSIBLE  
FOR FIELD MEASUREMENT,  
QUANTITIES, & INSTALLATION  
DESIGN. CONTRACTOR MUST  
VERIFY ALL DIMENSIONS.

PHONE (573)-744-5211  
FAX (573)-744-5586



anentner@quakerwindows.com

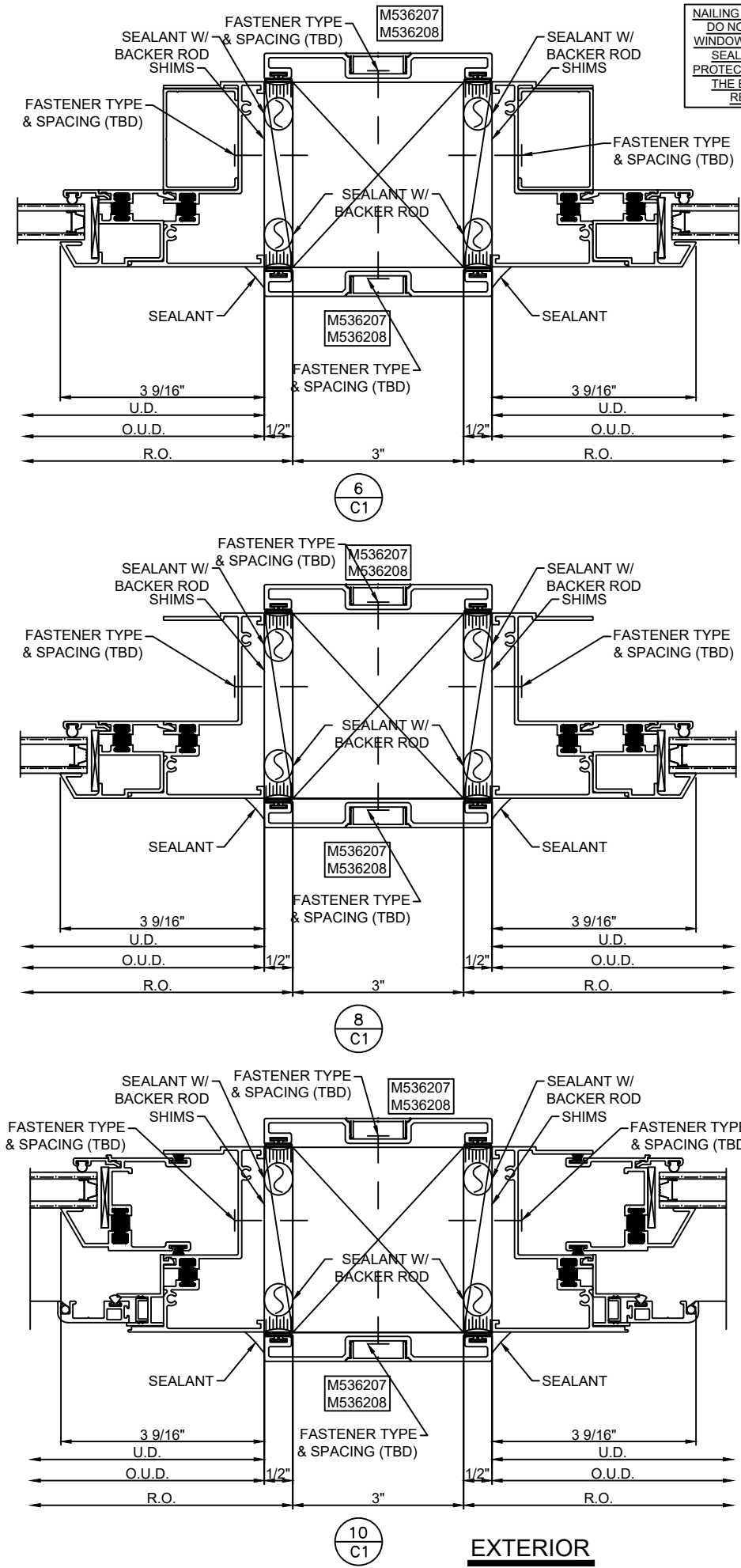
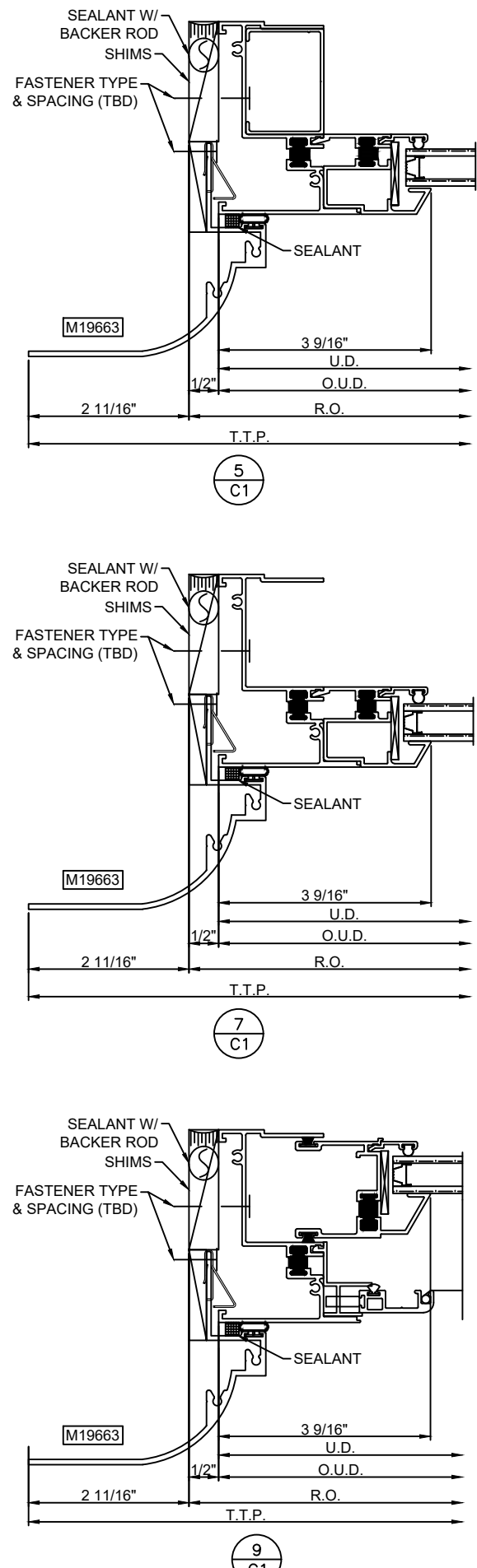
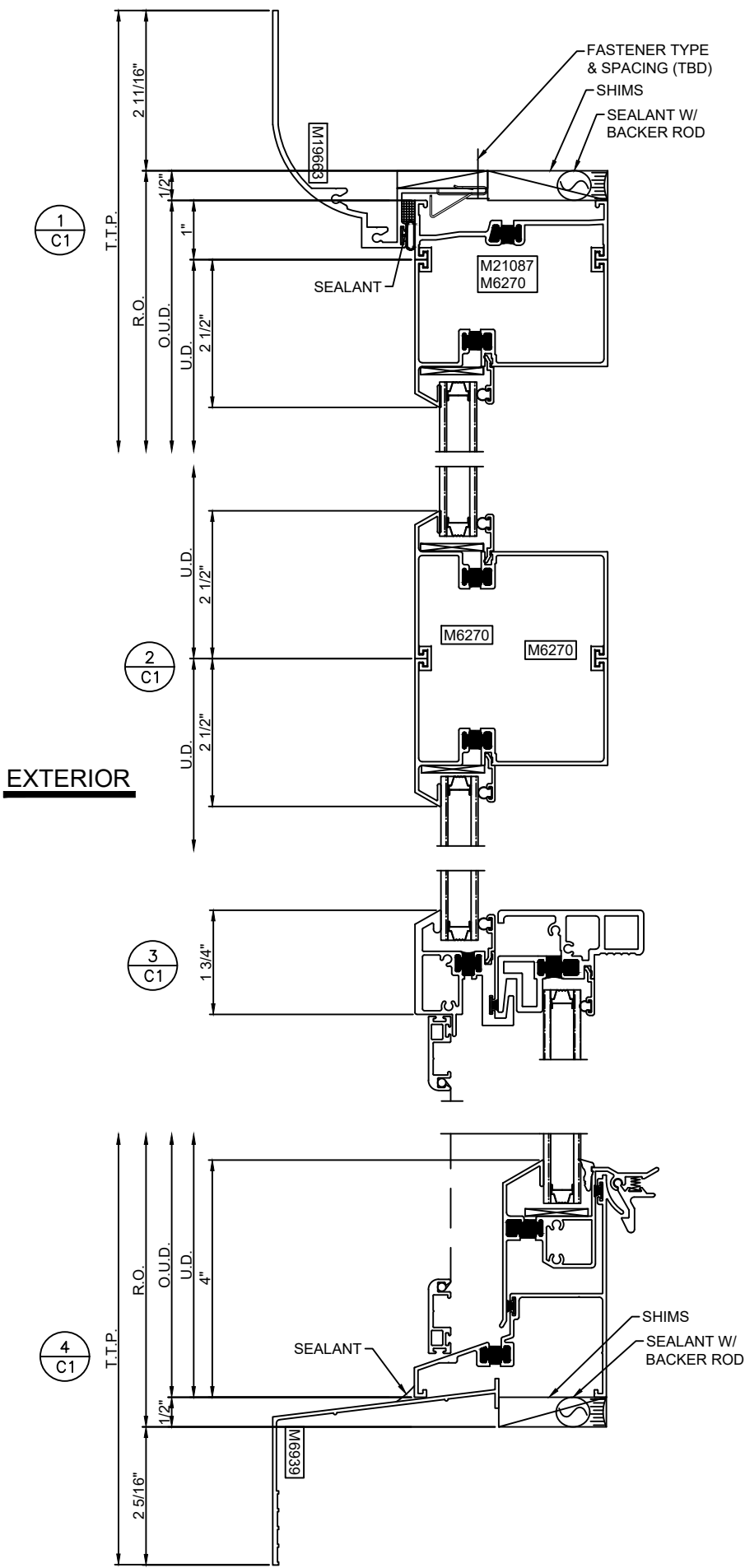
504 Highway 63 South  
Freeburg, MO 65035

Scale: 3/8" = 1'

Sheet #: A3

Drawn By: AMS

Checked By: AGN



NAILING FLANGES AND DRIP CAPS (INTEGRAL OR APPLIED) DO NOT TAKE THE PLACE OF WINDOW FLASHING. ALL WINDOWS AND DOORS MUST BE PROPERLY FLASHED AND SEALED WITH MATERIAL COMPATIBLE SEALANT FOR PROTECTION AGAINST WATER AND INFILTRATION AROUND THE ENTIRE PERIMETER. FAILURE TO DO SO COULD RESULT IN PRODUCT OR PROPERTY DAMAGE.

**NOTICE:**  
QUAKER DOES NOT SUPPLY ANY FASTENERS, SHIMS, BACKER ROD, OR SEALANTS, UNLESS OTHERWISE NOTED.

VERIFY INSTALLATION  
VERIFY WALL DETAILS

SEALANT MUST MEET OR EXCEED  
ASTM C920-11 SPECIFICATION

PROVIDE ADEQUATE BLOCKING TO  
SUPPORT THE SILL OF THE WINDOW

EXTERIOR

EXTERIOR

Project Name: 1427 RANDOLPH STREET

CUT DETAILS

Description:

QUAKER WINDOW PRODUCTS WILL NOT BE RESPONSIBLE FOR FIELD MEASUREMENT, QUANTITIES, & INSTALLATION DESIGN. CONTRACTOR MUST VERIFY ALL DIMENSIONS.

PHONE (573)-744-5211  
FAX (573)-744-5586

**QUAKER**  
COMMERCIAL  
WINDOW PRODUCTS AND MORE

anetuser@quakerwindows.com  
Scale: 3/8"=1"

504 Highway 63 South  
Freeburg, MO 65035

Drawn By: AMS  
Checked By: AGN

Sheet #: C1