

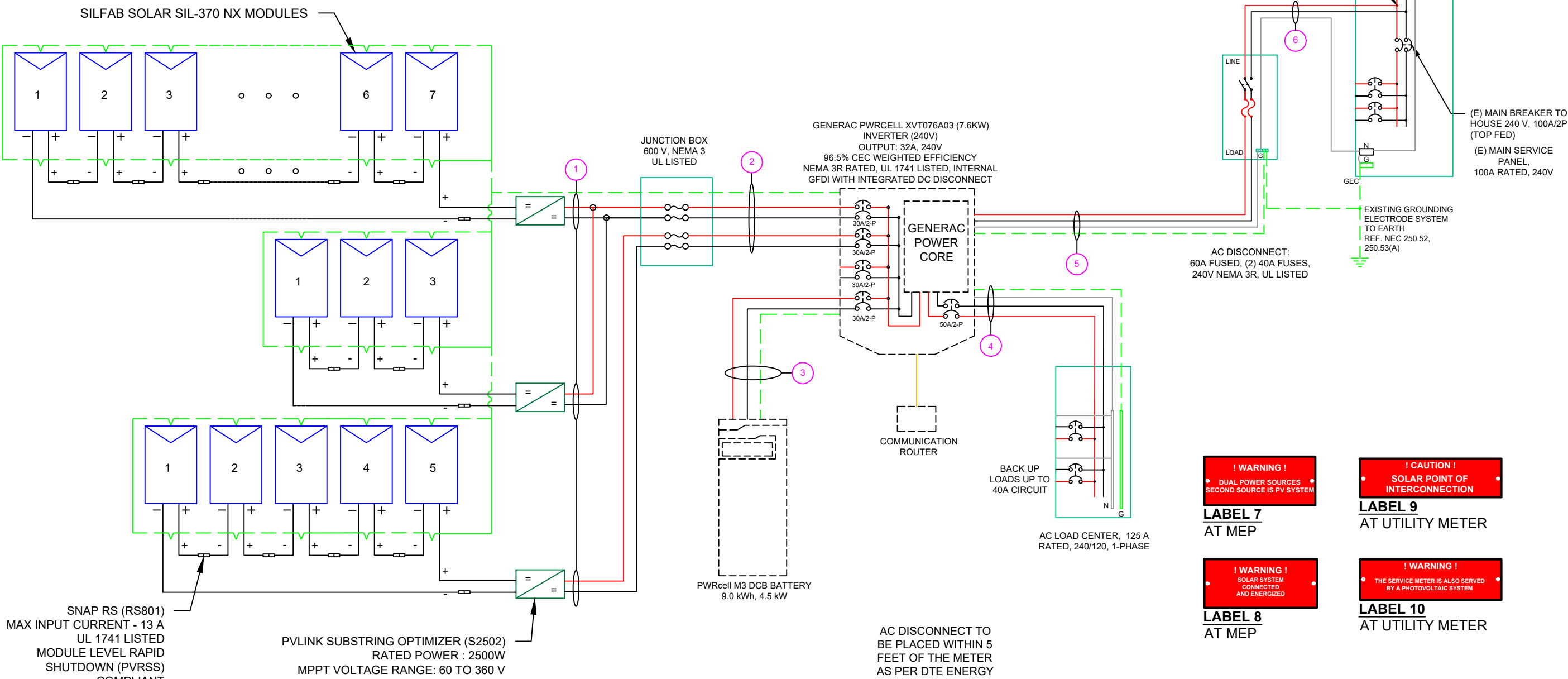
(15) SILFAB SOLAR SIL-370 NX MODULES  
 (1) PV LINK OF 7 MODULES &  
 (1) PV LINK OF 3 MODULES &  
 (1) PV LINK OF 5 MODULES CONNECTED IN SERIES

**SERVICE INFO**

UTILITY PROVIDER: DTE ENERGY  
 MAIN SERVICE VOLTAGE: 240V  
 MAIN PANEL BRAND: N/A  
 MAIN SERVICE PANEL: 100A  
 MAIN CIRCUIT BREAKER RATING: 100A  
 MAIN SERVICE LOCATION: NORTH-EAST  
 SERVICE FEED SOURCE: OVERHEAD

**WIRE LEGEND**

- PV ARRAY +VE CONDUCTOR AND L1
- PV ARRAY -VE CONDUCTOR AND L2
- NEUTRAL CONDUCTOR
- EGC AND GEC
- SINGLE TWISTED PAIR, CAT 5 WIRE



**! WARNING !**  
 DUAL POWER SOURCES  
 SECOND SOURCE IS PV SYSTEM  
**LABEL 7**  
 AT MEP

**! CAUTION !**  
 SOLAR POINT OF INTERCONNECTION  
**LABEL 9**  
 AT UTILITY METER

**! WARNING !**  
 SOLAR SYSTEM CONNECTED AND ENERGIZED  
**LABEL 8**  
 AT MEP

**! WARNING !**  
 THE SERVICE METER IS ALSO SERVED BY A PHOTOVOLTAIC SYSTEM  
**LABEL 10**  
 AT UTILITY METER

**! WARNING !**  
 PHOTOVOLTAIC POWER SOURCE  
**LABEL 1**  
 ON ALL CONDUITS SPACED AT MAX 10FT

**! CAUTION !**  
 SOLAR ELECTRIC SYSTEM CONNECTED AND ENERGIZED  
**LABEL 3**  
 AT INVERTER

**! WARNING !**  
 ELECTRIC SHOCK HAZARD DO NOT TOUCH TERMINALS. TERMINALS ON BOTH LINE AND LOAD SIDES MAY BE ENERGIZED IN THE OPEN POSITION.  
**LABEL 5**  
 AT EACH AC DISCONNECT

**SOLAR PV SYSTEM EQUIPPED WITH RAPID SHUTDOWN**  
 TURN RAPID SHUTDOWN SWITCH TO THE "OFF" POSITION TO SHUT DOWN PV SYSTEM AND REDUCE SHOCK HAZARD IN THE ARRAY  
**LABEL 2**  
 AT INVERTER

**PHOTOVOLTAIC DC DISCONNECT**  
**LABEL 4**  
 AT EACH DC DISCONNECT

**PHOTOVOLTAIC AC DISCONNECT**  
**LABEL 6**  
 AT EACH AC DISCONNECT

QTY	CONDUCTOR INFORMATION	CONDUIT TYPE	CONDUIT SIZE
(6)	#10AWG - PV WIRE/USE-2	N/A	N/A
(1)	#6AWG - BARE COPPER IN FREE AIR		
(4)	#10AWG - THWN-2	EMT OR FLEX IN ATTIC	3/4"
(1)	#6AWG - THWN-2 GND		
(2)	#6AWG - THWN-2	EMT OR FLEX	3/4"
(1)	#6AWG - THWN-2 GND		
(3)	#6AWG - THWN-2	EMT OR FLEX	3/4"
(1)	#6AWG - THWN-2 GND		
(3)	#6AWG - THWN-2	EMT OR FLEX	3/4"
(1)	#6AWG - THWN-2 GND		
(3)	#6AWG - THWN-2	EMT OR FLEX	3/4"

**POWERHOME**  
 POWER HOME SOLAR, LLC  
 "POWER YOUR FUTURE"  
 919 N. MAIN ST.  
 MOORESVILLE, NC 28115  
 Phone: 704-800-6591 (OFFICE)  
 Email: info@powerhome.com  
 Web: www.powerhome.com

**REVISIONS**

DESCRIPTION	DATE	REV

Signature with Seal

DATE: 8/25/2021

PROJECT NAME & ADDRESS

**CALVIN JUDE RESIDENCE**  
 12746 BROADSTREET AVE.,  
 DETROIT, MI 48238

SHEET NAME  
**ELECTRICAL LINE DIAGRAM**

SHEET SIZE  
**ANSI B 11" X 17"**

SHEET NUMBER  
**PV-4**