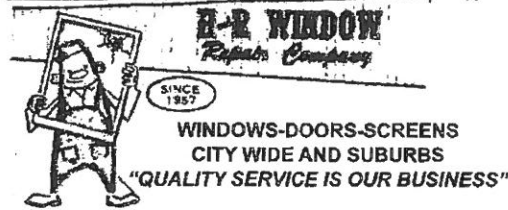


Proposal



- 23641 John R.
- Hazel Park, Michigan 48030
- Phone: (248) 544-8282
- Fax: (248) 544-8122
- www.hrwindowrepair.com



PROPOSAL SUBMITTED TO MICHAEL GRECO / SHELBY DESIGN CENTER	PHONE	DATE 02/01/21
ADDRESS 50170 VAN DYKE RD.	JOB NAME AND LOCATION 721 CHICAGO BLVD., DETROIT, MI	
SHEBLY TWP., MI 48317	TOTAL SEE BELOW	DEPOSIT BALANCE

We propose hereby to furnish material and labor—complete in accordance with below specifications, for the sum of SEE BELOW dollars.

Approximate completion time within 4 - 5 WEEKS from receipt of deposit.

TERMS: 1/2 of purchase price upon acceptance of proposal and balance due C.O.D. at completion of work.

All material is guaranteed to be as specified. All work is to be completed in a workmanlike manner according to standard practices. Any alteration or deviation from specifications involving extra costs will be executed only upon written orders, and will become an extra charge over and above the estimate. All agreements contingent upon strikes, accidents or delays beyond our control. Owner to carry fire, tornado and other necessary insurance. Our workers are fully covered by Workmen's Compensation insurance.

H & R WINDOW REPAIR COMPANY

Authorized Signature

NOTE: This proposal is valid for 30 days if not accepted within thirty (30) days.

We hereby submit specifications and estimates, subject to all terms and conditions as follows:

REPAIRS AS FOLLOWS:

FRONT PORCH

1 - 34" X 38" EXISTING STORM INSERT REGLAZE \$149.85
 USING SINGLE PANE CLEAR GLASS
 REMOVE AND REINSTALL INSERT AS NEEDED

REAR SUN PORCH

EXISTING MANUFACTURER NO LONGER FABRICATE REPLACEMENT-SASH
 FOR THIS SERIES OF WINDOW - DISCONTINUED 1979 N/A
 RECOMMEND REPLACEMENT USING ACCEPTABLE WINDOW

EAST SUNROOM

2 - 3 WIDE ARCHTOP PATTERN WOOD SASH / FRAME \$3,986.31
 2 - 2 WIDE ARCHTOP PATTERN WOOD SASH / FRAME \$3,485.64
 - REPLACE WOOD AS NEEDED IN DUTCHMAN STYLE REPAIRS
 - WINDOW RELATED FRAME / SASH RAILS ONLY NOT WALL STRUCTURE
 - PRIME PAINT NEW WOOD ONLY
 - SECURE SASH CORNERS WITH DOWEL AS NEEDED
 - FIT SASH TO EXISTING MAIN FRAMING TO EASE OPERATION
 - INSTALL BUMP UP STYLE COMPRESSION WEATHERSTRIPPING
 - SURFACE APPLIED AT ARCHED VENT SASH OPENING TOP ONLY
 - REPLACE LOOSE EXTERIOR GLAZING COMPOUND
 - NOT ALL EXISTING GLAZING COMPOUND TO BE REMOVED

***SETTLEMENT OF SURROUNDING STRUCTURE WILL LIMIT ALIGNMENT SASH / FRAME**

IF NEED TO REMOVE SASH FROM SITE FOR REPAIRS DUE TO EXTENT ADD: TIME + MATERIAL
 - PLYWOOD BOARD UP TO SECURE OPENING

+ SERVICE CHARGE \$85.00
TOTAL FOR REPAIRS AS LISTED **\$7,706.80**

NOTES:

H&R ASSUMES NO LIABILITY FOR CONDITION OF EXISTING WINDOW / WALL FRAMING

H&R ASSUMES NO WARRANTY FOR EXISTING WALL FRAMING

ANY / ALL PAINTING OR FINISH TRIM BY OTHERS

Removal and reinstallation of all window treatments are the responsibility of the homeowner.

Acceptance of Proposal — The above prices, specifications and conditions are satisfactory and are hereby accepted. You are authorized to do the work as specified. Payment will be made as outlined above.

Signature _____

Date of Acceptance _____

Signature _____

If you do not accept proposal, please sign on bottom and return top copy with deposit. Thank you.

Michael Greco

From: H&R Window <hrwindow@sbcglobal.net>
Sent: Wednesday, February 3, 2021 9:56 AM
To: Michael Greco
Subject: Re: Chicago Blvd.

* H&R Window does not get involved in full window replacement.

Those windows I can replicate / repair.

If you have any questions, please don't hesitate to contact us.

Thank you for the opportunity in letting H&R Window Repair be of service to you!

*ONE Added NOTE: I AS THE SALESMAN HAD TO CALL PERSONALLY
TO GET A COMPANY TO RE-EVALUATE WINDOWS + do a QUOTE.*

H&R Window Repair Company
23641 John R Rd
Hazel Park, MI 48030
(248) 544-8282
(248) 544-8122 FAX#
email: hrwindow@sbcglobal.net

On Tuesday, February 2, 2021, 01:41:58 PM EST, Michael Greco <michaelgreco63@icloud.com> wrote:

Hi Tom

Can you also send as a add on replacing of other windows you looked at stating that none of these windows are original so I can attach to proposal to Edison committee to have them fully replaced with like or similar in design windows. I would greatly appreciate it. I need to submit in 3 weeks.

Mike

Sent from my iPhone

On Feb 2, 2021, at 12:59 PM, H&R Window <hrwindow@sbcglobal.net> wrote:

Michael,

Michael Greco

From: H&R Window <hrwindow@sbcglobal.net>
Sent: Tuesday, February 2, 2021 12:59 PM
To: Michael Greco
Subject: Chicago Blvd.
Attachments: 721 CHICAGO BLVD., DET.pdf; 1 EXCLUSIONS.pdf

Michael,

Sorry for the delay, had to discuss possibility of getting sash with original Manufacturer.
No longer Available.

Attached is the proposal prepared regarding the repairs needed at 721 Chicago Blvd., Detroit, MI

If you'd like to proceed with this work, we would need to get both your authorization (via email OK) AS WELL AS the specified 50% deposit, as noted.

You can mail in a deposit check, or we also accept Visa or Mastercard if you'd like to call in and put the deposit on credit card.

If you have any questions, please don't hesitate to contact us.

Thank you for the opportunity in letting H&R Window Repair be of service to you!

H&R Window Repair Company
23641 John R Rd
Hazel Park, MI 48030
(248) 544-8282
(248) 544-8122 FAX#
email: hrwindow@sbcglobal.net

Marvin Order Management Performance Grade Summary Report

Date / Time: 2/10/2021 13:01 Job/Project Name: Scott Carla / FF replacement Sales Rep: MIKE GRECO
 PK Version: 0003.06.00 Quote/Order Number: R32CCF3 Organization Name: WINDOW PRO-CLEVELAND-G.O.

Line	Mark Unit	Unit ID	Product Line	Product	Licensee	Florida Number	Specification	Rating	Secondary Rating	Test Unit Size (mm)	Test Unit Size (in)	Deflection at Certified Size and Performance	Assembly Tributary Width and Span Size (mm)	Assembly Tributary Width and Span Size (in)	Canadian Rating Description	Canadian Rating	Canadian Water Resistance	Canadian Air
1	105 rear sunroom	A1	Infinity	Double Hung	951		AAMA/WDMA/CSA-101/1.5.2/A440-11	LC-PG30	+30/-30	1016 x 2197 mm	40 x 86.5 in				CSA A440 51-17	DP -1440 Pa/-1440 Pa	WATER RESISTANCE 220 Pa	AIR IN/EX A2

Performance Grade
 Performance Ratings are based upon AAMA/WDMA/CSA-101/1.5.2/A440. Design pressures specified are based upon units without dividers. Authentic divided lite patterns, multiple assemblies, and oversized units are not represented by listed values. For product exceptions or higher DP's than those listed, please contact your local Marvin representative or send in an Assistance Request for more information.

Marvin Order Management Performance Summary Report

Date / Time: 2/10/2021 13:02
 PK Version: 0003.06.00

Job/Project Name: Scott Carla / FF replacement
 Quote/Order Number: R32CCF3

Sales Rep: MIKE GRECO
 Organization Name: WINDOW PRO-CLEVELAND-G.O.

Line	Mark Unit	Unit ID	Product Line	Product	ENERGY STAR	ENERGY STAR Most Efficient	U-Factor	SHGC	VLT	CR	CPD Number	ENERGY STAR Canada	ENERGY STAR Most Efficient Canada	Canada Energy Rating	Metric U-Factor
1	105 rear sunroom	A1	Infinity	Double Hung	NC, SC, S		0.28	0.21	0.50		58 MAR-N-267-01456-00001			16.00	1.59

Glossary

Certified Product Directory (CPD) Number - a unique number used by the NFRC to organize product listing of certified products.

Condensation Resistance (CR): Measures the ability of a product to resist the formation of condensation on the interior surface of that product. The higher the CR rating the better it resists forming condensation.

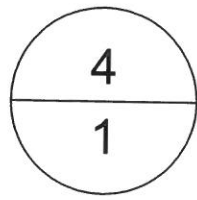
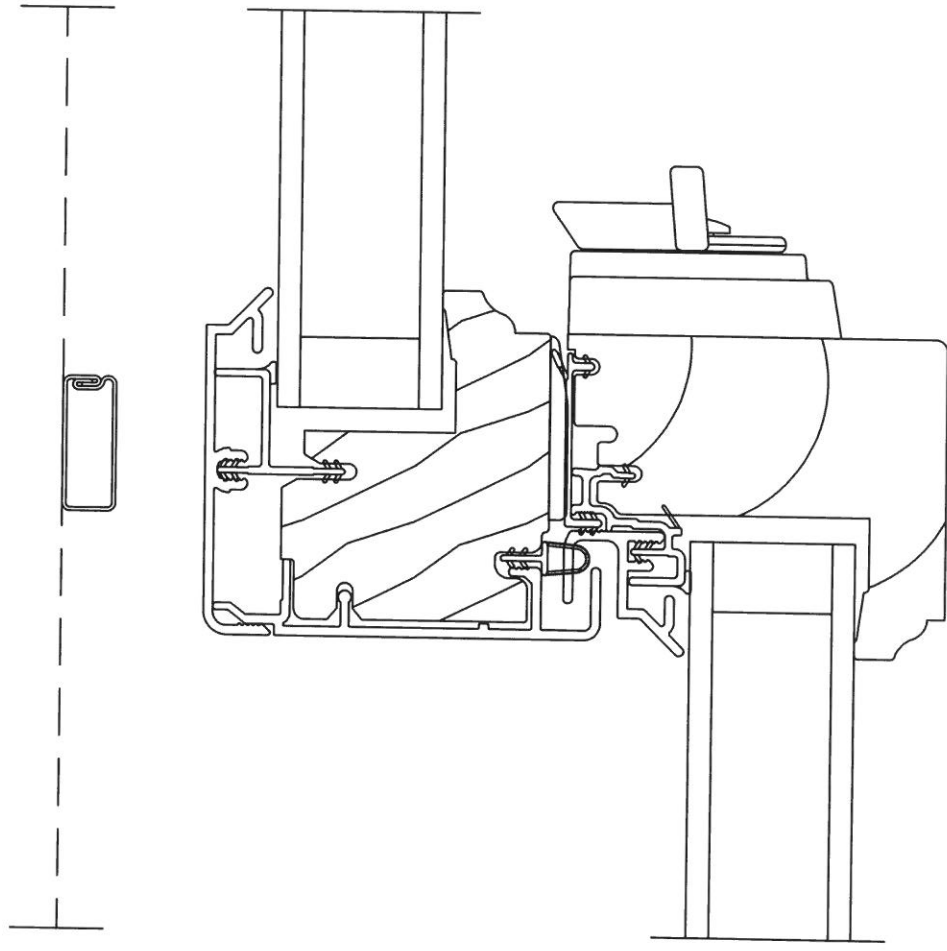
ENERGY STAR is a program of the U.S. Environmental Protection Agency designed to recognize products that meet strict energy efficiency guidelines. Learn more about ENERGY STAR.

Solar Heat Gain Coefficient (SHGC) measures how well a product blocks heat from the sun. In warm climates, the lower the number, the better. Here you want to keep heat out by choosing windows that reflect solar radiation. Less heat coming into the home means lower air-conditioning costs and a reduced carbon footprint. In cold regions, your windows can also help you take advantage of solar radiation, which is free heat that eases the workload of your furnace or other energy-powered heat source. A higher solar heat gain coefficient means a window will allow more heat to pass through.

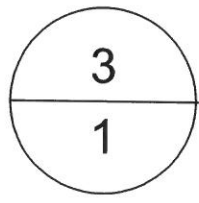
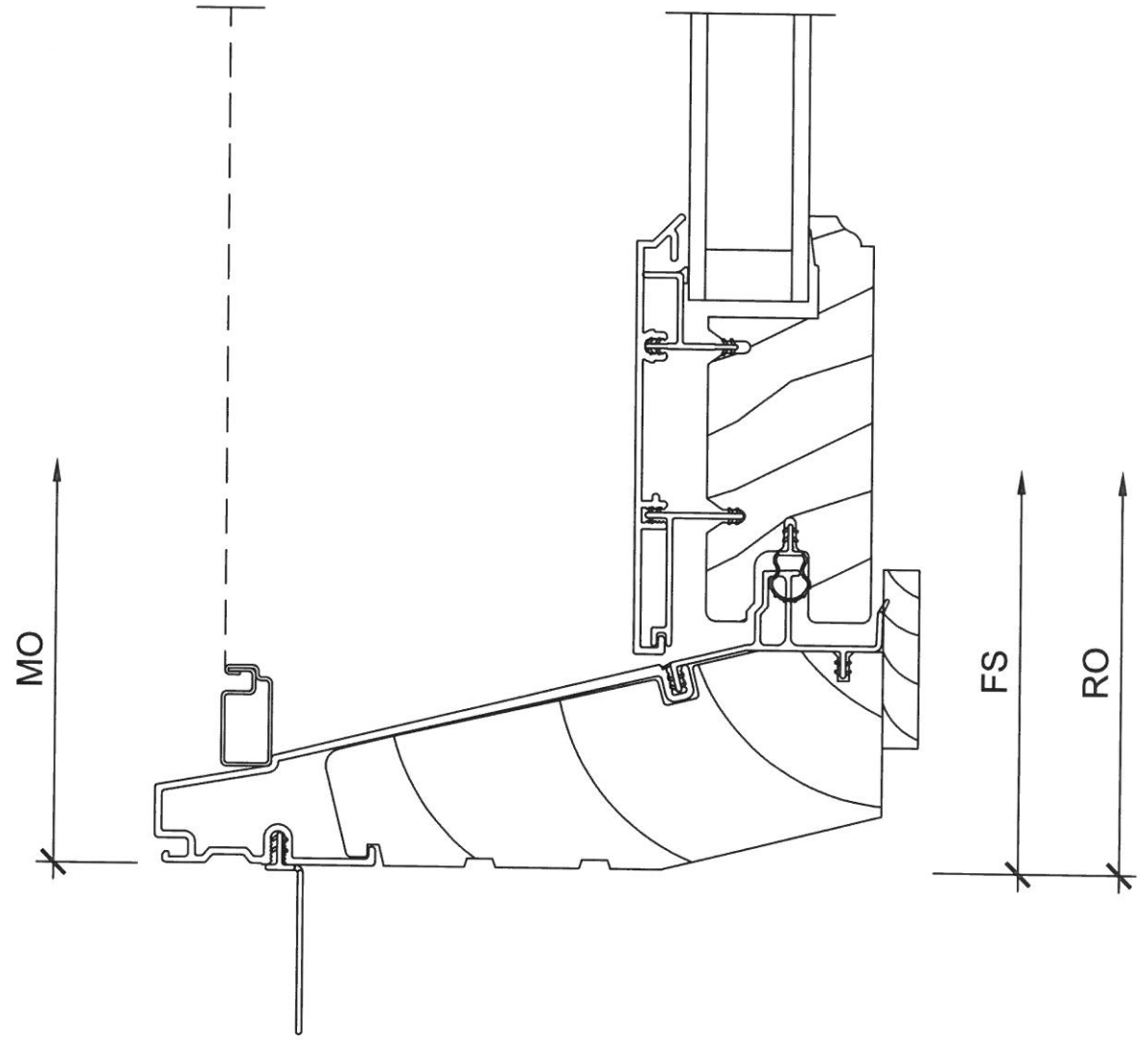
U-Factor: (Btu/hr.-sq. ft. - *F.) A measurement of the amount of heat flow through a product. The lower the U-factor, the greater the resistance to heat flow and better its insulating value.

The National Fenestration Rating Council (NFRC) has developed and operates a uniform national rating system for the energy performance of fenestration products, including windows and doors. For additional information regarding this rating system, see www.nfrc.org.

NFRC energy ratings and values may vary depending on the exact configuration of glass thickness used on the unit. This data may change over time due to ongoing product changes or updated test results or requirements.



Checkrail



Sill