

MOTOR SPECIFICATIONS:

1/2 HP motor to include a TENV motor, reversing magnetic controller in NEMA 1 enclosure, planetary gearbox for drive reduction, electric brake and an auxiliary chain operator. Includes UL listed thermal overload protection, rotary limit switches, safety edge circuit and transformer with 24 volt control secondary, and delay on reverse. Pre-wired to a terminal block using color coding of the wires to facilitate troubleshooting.

CURRENT CHARACTERISTICS:

120 V 1 PH 60 HZ 2.6 FLA

Electrical current must be verified in writing before job is released for manufacture; current verified and found correct. Operator bracket bracing required, unless operator is wall mounted.
Signed:

ELECTRICAL EQUIPMENT LIST:

- 1 - Pair of photo eyes, NEMA 4X
- 1 - Three button push button station 'OPEN-CLOSE-STOP' in NEMA 1 enclosure, surface mounted.

BOTTOM BAR LOCKING:

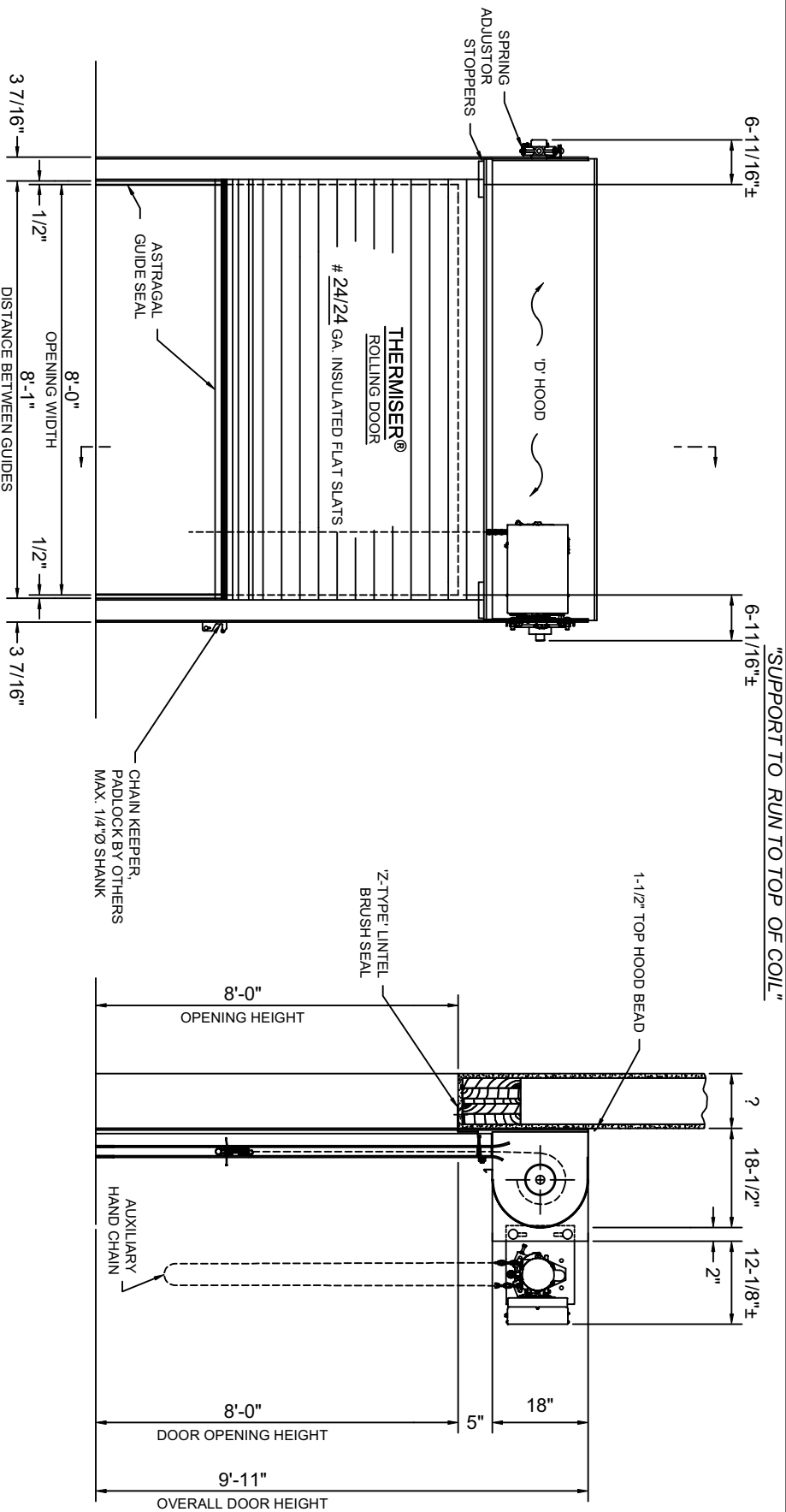
None

QUANTITY & MARK:

(1) A

MATERIAL & FINISH:

- Front slat** - Galvanized steel with Galvalux™ coating system. Finish color: Gray
- Back slat** - Galvanized steel with Galvalux™ coating system. Finish color: Gray
- Bottom Bar** - Extruded aluminum, mill finish
- Guides** - Structural steel, Gray polyester powder coating
- Hood** - Galvanized steel with Galvalux™ coating system. Finish color: Gray
- Plain Steel** - Powder coated gray

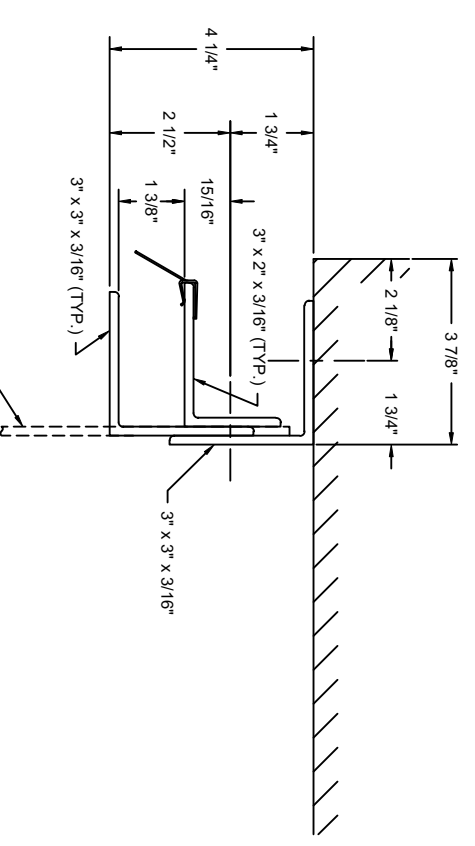
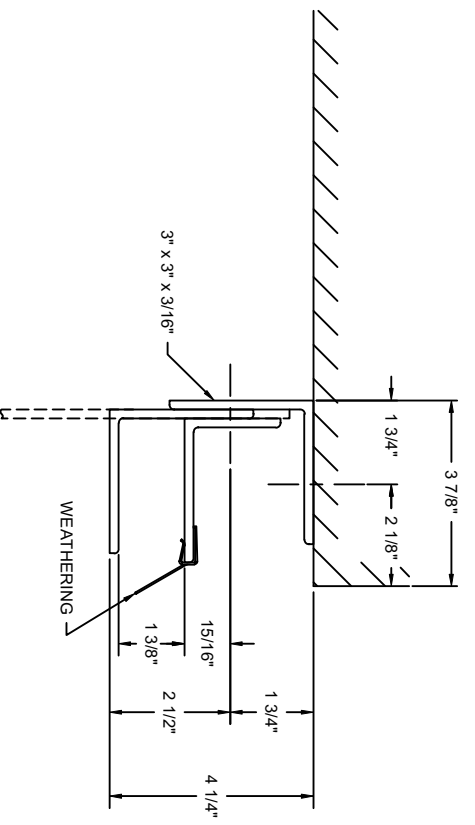


ELEVATION (COIL SIDE) AND SECTION VIEW

See drawing # E 01516319 001 B for guide detail.

12-10-2020	PRODUCT CODE:	MFW 6F 44GP	
MTR. STD			
---	ORIGINAL DRAWING	12/22/20	R481
#	REVISION	DATE	BY
JOB:		MGTOWN	
		DETROIT, MI	
		MGH MOTOR OPERATED ROLLING DOOR	
AGENT:		RAYNOR OVHD DOOR CORP	
CONTRACTOR:			
MODEL #:	ESD20	JOB #:	E 01516319 001 A
ARCHITECT:			

NOTE: Wall construction detail shown is for illustrative purposes only, does not imply compliance with building requirements, and must meet architectural specifications to properly support product. Products designed with wind load requirements must be properly fastened to structural members as specified in order to avoid catastrophic failure. Wall construction and closure installation shall be in accordance with the local authority having jurisdiction requirements.



GA0415 - 4 1/4"

GA0415 - 4 1/4"

WALL FASTENERS:

- AT 36" ON CENTER
- Ø3/8" x 2"
- HEX HEAD LAG SCREW

ASSEMBLY FASTENERS:

- AT 36" ON CENTER
- Ø3/8-16 x 1 1/2" HEX HEAD CAP SCREW, GR. 5
- HEX HEAD NUT, GR. 5
- HARDENED FLAT WASHERS

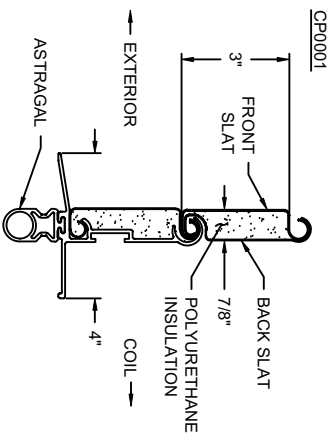
WALL FASTENERS:

- AT 36" ON CENTER
- Ø3/8" x 2"
- HEX HEAD LAG SCREW

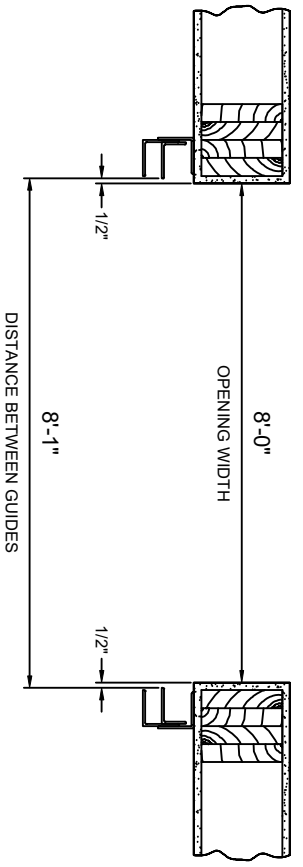
ASSEMBLY FASTENERS:

- AT 36" ON CENTER
- Ø3/8-16 x 1 1/2" HEX HEAD CAP SCREW, GR. 5
- HEX HEAD NUT, GR. 5
- HARDENED FLAT WASHERS

BOTTOM BAR / SLAT DETAIL



PLAN OF OPENING

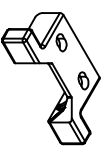


INSTALLERS NOTE:

MAINTAINING FACTORY SET GUIDE GAPS IS CRITICAL TO THE PROPER OPERATION OF THE DOOR AND ITS ABILITY TO WITHSTAND THE DESIGNED WINDLOAD!

ENDLOCK DETAIL

CP1443 MOLDED NYLON ENDLOCK ON ALTERNATING SLATS WITH 2 x 1/4" RIVETS



CP1443

10-09-2018	PRODUCT CODE:	TD7_425	MFW 6F 44GP
#	REVISION	DATE	BY
--	ORIGINAL DRAWING	12/22/20	R481



JOB: MIDTOWN DETROIT, MI
 INSULATED SERVICE DOOR GUIDE ASSEMBLY, 4-1/4" PACKOFF

MODEL #:	ESD20	JOB #:	E 01516319 001 B
AGENT:	RAYNOR OVHD DOOR CORP		
CONTRACTOR:			
ARCHITECT:			