

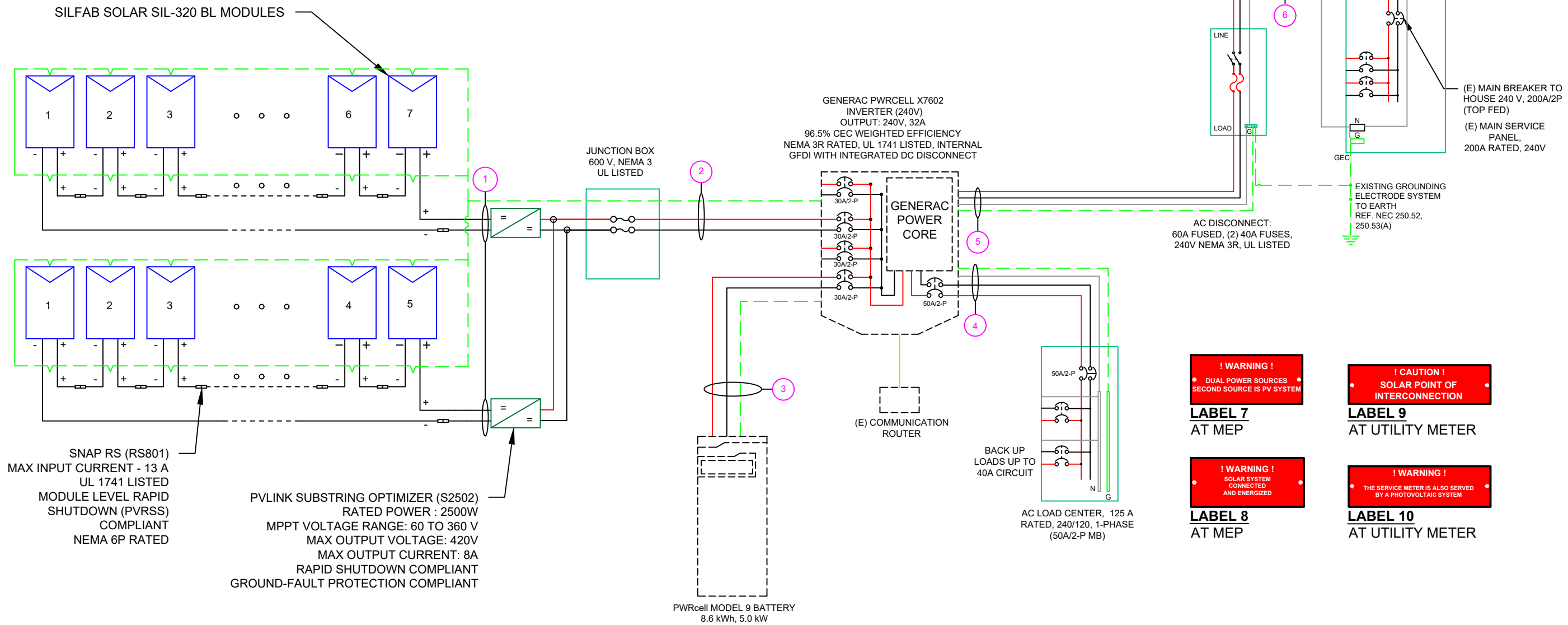
(12) SILFAB SOLAR SIL-320 BL MODULES  
 (1) PV LINK OF 7 MODULES &  
 (1) PV LINK OF 5 MODULES CONNECTED IN SERIES

**WIRE LEGEND**

	PV ARRAY +VE CONDUCTOR AND L1
	PV ARRAY -VE CONDUCTOR AND L2
	NEUTRAL CONDUCTOR
	EGC AND GEC
	SINGLE TWISTED PAIR, CAT 5 WIRE

**SERVICE INFO**

UTILITY PROVIDER:	DTE ENERGY
MAIN SERVICE VOLTAGE:	240V
MAIN PANEL BRAND:	NA
MAIN SERVICE PANEL:	200A
MAIN CIRCUIT BREAKER RATING:	200A
MAIN SERVICE LOCATION:	SOUTH
SERVICE FEED SOURCE:	OVERHEAD



**! WARNING !**  
 • DUAL POWER SOURCES •  
 • SECOND SOURCE IS PV SYSTEM •

**LABEL 7**  
 AT MEP

**! CAUTION !**  
 • SOLAR POINT OF INTERCONNECTION •

**LABEL 9**  
 AT UTILITY METER

**! WARNING !**  
 • SOLAR SYSTEM CONNECTED AND ENERGIZED •

**LABEL 8**  
 AT MEP

**! WARNING !**  
 • THE SERVICE METER IS ALSO SERVED BY A PHOTOVOLTAIC SYSTEM •

**LABEL 10**  
 AT UTILITY METER

AC DISCONNECT TO BE PLACED WITHIN 5 FEET OF THE METER AS PER DTE ENERGY

**! WARNING !**  
 • PHOTOVOLTAIC POWER SOURCE •

**LABEL 1**  
 ON ALL CONDUITS SPACED AT MAX 10FT

**! CAUTION !**  
 • SOLAR ELECTRIC SYSTEM CONNECTED AND ENERGIZED •

**LABEL 3**  
 AT INVERTER

**! WARNING !**  
 • ELECTRIC SHOCK HAZARD. TERMINALS ON BOTH LINE AND LOAD SIDES MAY BE ENERGIZED IN THE OPEN POSITION •

**LABEL 5**  
 AT EACH AC DISCONNECT

**! WARNING !**  
 • SOLAR PV SYSTEM EQUIPPED WITH RAPID SHUTDOWN •

**LABEL 2**  
 AT INVERTER

**PHOTOVOLTAIC DC DISCONNECT**

**LABEL 4**  
 AT EACH DC DISCONNECT

**PHOTOVOLTAIC AC DISCONNECT**

**LABEL 6**  
 AT EACH AC DISCONNECT

QTY	CONDUCTOR INFORMATION	CONDUIT TYPE	CONDUIT SIZE
(4)	#10AWG - PV WIRE/USE-2	N/A	N/A
(1)	#6AWG - BARE COPPER IN FREE AIR	N/A	N/A
(2)	#10AWG - THWN-2	EMT OR FLEX IN ATTIC	3/4"
(1)	#6AWG - THWN-2 GND	EMT OR FLEX	3/4"
(2)	#10AWG - THWN-2	EMT OR FLEX	3/4"
(1)	#10AWG - THWN-2 GND	EMT OR FLEX	3/4"
(3)	#6AWG - THWN-2	EMT OR FLEX	3/4"
(1)	#6AWG - THWN-2 GND	EMT OR FLEX	3/4"
(3)	#6AWG - THWN-2	EMT OR FLEX	3/4"
(1)	#6AWG - THWN-2 GND	EMT OR FLEX	3/4"
(3)	#6AWG - THWN-2	EMT OR FLEX	3/4"

**POWERHOME**

POWER HOME SOLAR, LLC  
 "POWER YOUR FUTURE"  
 919 N. MAIN ST.  
 MOORESVILLE, NC 28115  
 Phone: 704-800-6591 (OFFICE)  
 Email: info@powerhome.com  
 Web: www.powerhome.com

**REVISIONS**

DESCRIPTION	DATE	REV

Signature with Seal

DATE: 9/9/2020

**PROJECT NAME & ADDRESS**

**MASAKO S GREEN RESIDENCE**  
 15519 PIEDMONT STREET,  
 DETROIT, MI 48223

SHEET NAME  
**ELECTRICAL LINE DIAGRAM**

SHEET SIZE  
**ANSI B 11" X 17"**

SHEET NUMBER  
**PV-4**