



Andersen Windows - Abbreviated Quote Report



Project Name: JACOBSON

Quote #: 39117    Print Date: 11/19/2020    Quote Date: 11/16/2020    iQ Version: 20.0

Dealer: WIMSATT BUILDING MATERIALS

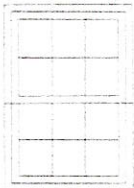
Customer: ITALY-AMERICAN CONSTRUCTION  
Billing: 8401 N. TELEGRAPH SUITE #101  
Address: DEARBORN HGTS., MI 48127  
Phone: 313-278-7500    Fax: 313-278-7501  
Contact: FRANK  
Trade ID: 427222    Promotion Code:

Sales Rep: 105 / AMANDA ROLDAN  
Created By: JERRY SWINEY

Item	Qty	Item Size (Operation)	Location	Unit Price	Ext. Price
0001	2	WDH 2' 0" x 4' 4" (AA)		\$ 845.45	\$ 1690.90
RO Size = 2' 0 1/2" W x 4' 4" H    Unit Size = 2' 0" W x 4' 4" H					
400 Series Unit, Woodwright Basic, White/Pre-finished White, White/White Liner, AA Handing, High Performance Low-E4, Divided Light with Spacer, Specified Equal Lite, 2W2H, 3/4", White/Prefinished White, Permanently Applied, Chamfer/Chamfer (Each Sash), 1 Sash Lock, Traditional, White Full Insect Screen, White					
Zone: Northern U-Factor: 0.30, SHGC: 0.28, ENERGY STAR® Certified: No					



Viewed from Exterior



Viewed from Exterior

0002	1	WDH 3' 0" x 4' 4" (AA)		\$ 1035.71	\$ 1035.71
RO Size = 3' 0 1/2" W x 4' 4" H    Unit Size = 3' 0" W x 4' 4" H					
400 Series Unit, Woodwright Basic, White/Pre-finished White, White/White Liner, AA Handing, High Performance Low-E4, Divided Light with Spacer, Specified Equal Lite, 3W2H, 3/4", White/Prefinished White, Permanently Applied, Chamfer/Chamfer (Each Sash), 1 Sash Lock, Traditional, White Full Insect Screen, White					
Zone: Northern U-Factor: 0.30, SHGC: 0.28, ENERGY STAR® Certified: No					

Item	Qty	Item Size (Operation)	Location	Unit Price	Ext. Price
			Total Load Factor	Subtotal	\$ 2,726.61
Customer Signature			0.496	Tax ( 6.000%)	\$ 163.60
				Grand Total	\$ 2,890.21

Dealer Signature

**\*\* All graphics viewed from the exterior**

**\*\* Rough opening dimensions are minimums and may need to be increased to allow for use of building wraps or flashings or sill panning or brackets or fasteners or other items.**



Ask to see if all of the products you purchase can be upgraded to be ENERGY STAR® certified.

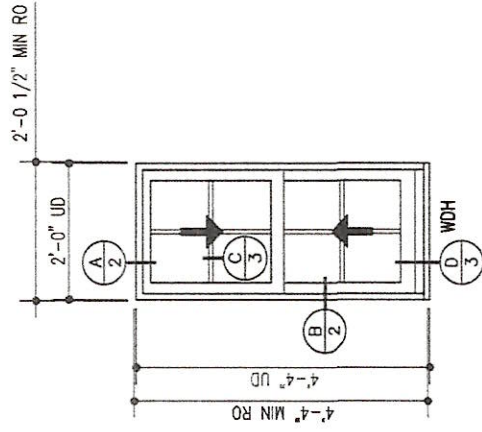
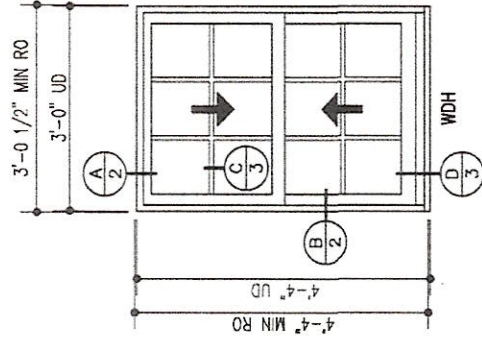


**This image indicates that the product selected is certified in the US ENERGY STAR® climate zone that you have selected.**

Data is current as of November 2019. This data may change over time due to ongoing product changes or updated test results or requirements. Ratings for all sizes are specified by NFRC for testing and certification. Ratings may vary depending on the use of tempered glass or different grille options or glass for high altitudes etc.

Nexia is a registered trademark of Ingersoll Rand Inc.

Project Comments:



Andersen Windows, Inc.  
100 Fourth Avenue North  
Bojort, Minnesota 55003

TITLE: ELEVATIONS

PROJECT: WOODWRIGHT WINDOWS

SCALE: 1/2" = 1'-0"

LOCATION:

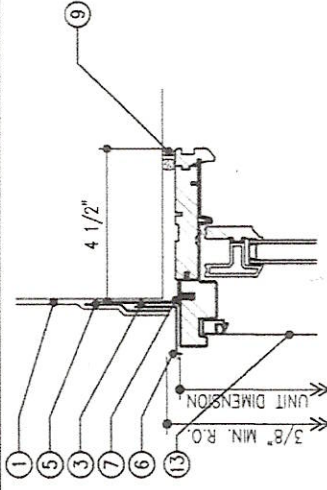
DATE: 18 NOVEMBER, 2020

SHEET: 1 OF 3

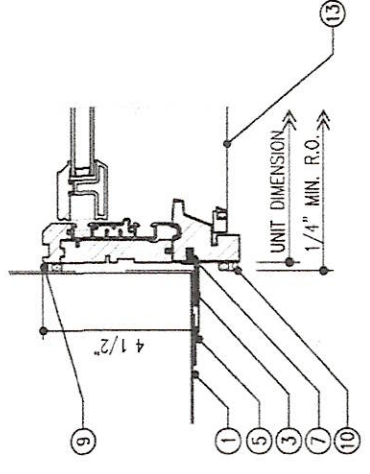
DRAWN BY: JKK

FILE: 111820-BW

THESE DRAWINGS ARE PROVIDED AS A SERVICE BY ANDERSEN WINDOWS INC. FOR THE BENEFIT OF ITS CUSTOMERS. THE CONTENTS OF THESE DRAWINGS ARE ONLY SUGGESTIONS BY ANDERSEN WINDOWS INC. OF CONFIGURATIONS THAT MAY BE USED IN A PARTICULAR INSTALLATION. FINAL RESPONSIBILITY FOR ACCURACY OF DESIGN, FINAL SPECIFICATIONS, DRAWINGS AND FOR THE ACTUAL INSTALLATION SUGGESTED BY THESE DRAWINGS LIES WITH THE ARCHITECT, ENGINEER AND/OR CONTRACTOR.



**A** 400 SERIES WW DOUBLE-HUNG HEAD  
SCALE: 3" = 1'-0"



**B** 400 SERIES WW DOUBLE-HUNG JAMB  
SCALE: 3" = 1'-0"

**DETAIL NOTES**

- 1 BUILDING WRAP BY OTHERS
- 2 PAN FLASHING OR SILL PAN BY OTHERS
- 3 FLANGE SET IN BED OF SEALANT BY OTHERS
- 4 NO SEALANT BEHIND SILL FLANGE
- 5 FLASHING BY OTHERS
- 6 DRIP CAP AS SPECIFIED, INSTALLED BY OTHERS SET IN BED OF SEALANT, SEE GENERAL NOTES
- 7 SEALANT BY OTHERS AT FLANGE/FRAME INTERFACE
- 8 BACK DAM BY OTHERS
- 9 INTERIOR AIR SEAL BY OTHERS
- 10 SEALANT WITH FOAM BACKER ROD BY OTHERS
- 11 ANDERSEN EXTENSION JAMB OR STOOL AS SPECIFIED
- 12 ANDERSEN DRYWALL RETURN BEAD AS SPECIFIED
- 13 ANDERSEN INSECT SCREEN AT OPERABLE UNIT, IF SPECIFIED
- 14 ANDERSEN HARDWARE AT OPERABLE UNIT, IF SPECIFIED
- 15 THRESHOLD SET IN BEAD OF SEALANT BY OTHERS
- 16 ANDERSEN SILL SUPPORT, IF SPECIFIED
- 17 ANDERSEN SILL STEP, IF SPECIFIED
- 18 ANDERSEN WOOD THRESHOLD, IF SPECIFIED
- 19 ANDERSEN JAMB CLIP/INSTALLATION STRAP, IF SPECIFIED
- 20 ANDERSEN BRICKMOULD OR SILL NOSING, IF SPECIFIED

**Andersen**  
COMMERCIAL

Andersen Windows, Inc.  
100 Fourth Avenue North  
Boyetown, Minnesota 55003

TITLE: DETAILS  
SCALE: 3" = 1'-0"

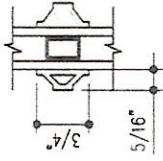
DATE: 18 NOVEMBER, 2020    SHEET: 2 OF 3

DRAWN BY: JKK

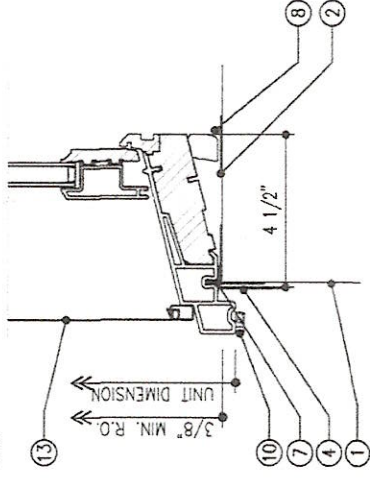
FILE: 111820-BW

PROJECT: WOODWRIGHT WINDOWS  
LOCATION:

THESE DRAWINGS ARE PROVIDED AS A SERVICE BY ANDERSEN WINDOWS INC. FOR THE BENEFIT OF ITS CUSTOMERS. THE CONTENTS OF THESE DRAWINGS ARE ONLY SUGGESTIONS BY ANDERSEN WINDOWS INC. OF CONFIGURATIONS THAT MAY BE USED IN A PARTICULAR INSTALLATION. FINAL RESPONSIBILITY FOR ACCURACY OF DESIGN, FINAL SPECIFICATIONS, DRAWINGS AND FOR THE ACTUAL INSTALLATION SUGGESTED BY THESE DRAWINGS LIES WITH THE ARCHITECT, ENGINEER AND/OR CONTRACTOR.



**C** 3/4" FULL DIVIDED LIGHT GRILLES  
 3 SCALE: 6" = 1'-0"



**D** 400 SERIES WW DOUBLE-HUNG SILL  
 3 SCALE: 3" = 1'-0"

### DETAIL NOTES

- 1 BUILDING WRAP BY OTHERS
- 2 PAN FLASHING OR SILL PAN BY OTHERS
- 3 FLANGE SET IN BED OF SEALANT BY OTHERS
- 4 NO SEALANT BEHIND SILL FLANGE
- 5 FLASHING BY OTHERS
- 6 DRIP CAP AS SPECIFIED, INSTALLED BY OTHERS SET IN BED OF SEALANT, SEE GENERAL NOTES
- 7 SEALANT BY OTHERS AT FLANGE/FRAME INTERFACE
- 8 BACK DAM BY OTHERS
- 9 INTERIOR AIR SEAL BY OTHERS
- 10 SEALANT WITH FOAM BACKER ROD BY OTHERS
- 11 ANDERSEN EXTENSION JAMB OR STOOL AS SPECIFIED
- 12 ANDERSEN DRYWALL RETURN BEAD AS SPECIFIED
- 13 ANDERSEN INSECT SCREEN AT OPERABLE UNIT, IF SPECIFIED
- 14 ANDERSEN HARDWARE AT OPERABLE UNIT, IF SPECIFIED
- 15 THRESHOLD SET IN BEAD OF SEALANT BY OTHERS
- 16 ANDERSEN SILL SUPPORT, IF SPECIFIED
- 17 ANDERSEN SILL STEP, IF SPECIFIED
- 18 ANDERSEN WOOD THRESHOLD, IF SPECIFIED
- 19 ANDERSEN JAMB CLIP/INSTALLATION STRAP, IF SPECIFIED
- 20 ANDERSEN BRICKMOULD OR SILL NOSING, IF SPECIFIED

**Andersen**  
 COMMERCIAL  
 Andersen Windows, Inc.  
 100 Fourth Avenue North  
 Boyertown, Minnesota 55003

**TITLE: DETAILS**  
 SCALE: 3" = 1'-0"  
 DATE: 18 NOVEMBER, 2020  
 SHEET: 3 OF 3

**PROJECT: WOODWRIGHT WINDOWS**  
**LOCATION:**  
 DRAWN BY: JKK

FILE: 111820-BW

THESE DRAWINGS ARE PROVIDED AS A SERVICE BY ANDERSEN WINDOWS INC. FOR THE BENEFIT OF ITS CUSTOMERS. THE CONTENTS OF THESE DRAWINGS ARE ONLY SUGGESTIONS BY ANDERSEN WINDOWS INC. OF CONFIGURATIONS THAT MAY BE USED IN A PARTICULAR INSTALLATION. FINAL RESPONSIBILITY FOR ACCURACY OF DESIGN, FINAL SPECIFICATIONS, DRAWINGS AND FOR THE ACTUAL INSTALLATION SUGGESTED BY THESE DRAWINGS LIES WITH THE ARCHITECT, ENGINEER AND/OR CONTRACTOR.