

Third Street Building
 3960 Third St.
 Detroit, MI. 48201

Framing finish:
 • Black Anodized

Manufactures:
 • Kawneer Trifab 451/451 Thermal VG Fixed framing.
 • Kawneer 190 Narrow Stile Doors.
 • BAM-05 and BAM-09 Architectural Muntins.

Glass designation:
 T= 1" IGU SN68 $\frac{1}{4}$ " temp. - Air - Clear
 $\frac{1}{4}$ " Temp.
 A= 1" IGU SN68 $\frac{1}{4}$ " Ann. - Air - Clear
 $\frac{1}{4}$ " Ann.

Abbreviations:
 Temp. = Tempered
 F.S. = Frame Size
 R.O. = Rough Opening
 D.O. = Door Opening
 I.G.U. = Insulated Glass Unit
 H.W. = Hardware Set

Project Notes:

- Rough openings to be field verified.
- Drawings not to scale.
- All drawings viewed from the outside.
- Please review hardware sets as no hardware schedule was provided.
- No electrified hardware included at this time.
- Final cleaning by others.
- Please confirm finish.

1101 W HAMMOND ROAD
 TRAVERSE CITY, MI 49686
 Phone: 231-941-0050
 Fax: 231-941-2251



Project
 THIRD STREET

Sheet
 Cover Page

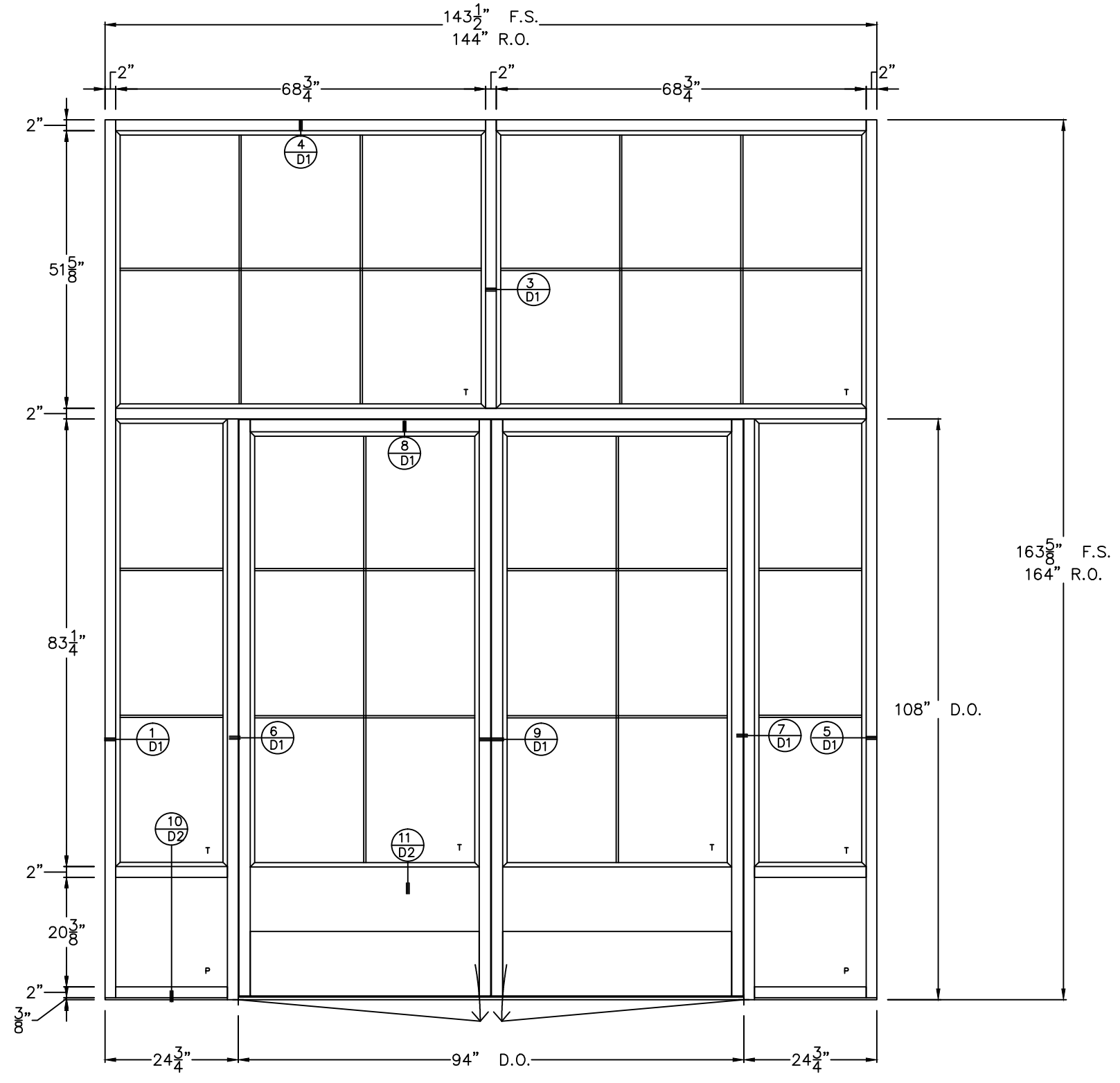
Drawn By
 Sam Braden

Approved By

Date Issued
 1-14-21

File No.
 C18253

Sheet No.
 C1



ENTRANCE QTY. REQD=1
 2 X 4 1/2" THERMAL-CENTER GLAZED-SCREW SPLINE-OUTSIDE GLAZED

1101 W HAMMOND ROAD
 TRAVERSE CITY, MI 49686
 Phone: 231-941-0050
 Fax: 231-941-2251



Project
 THIRD STREET

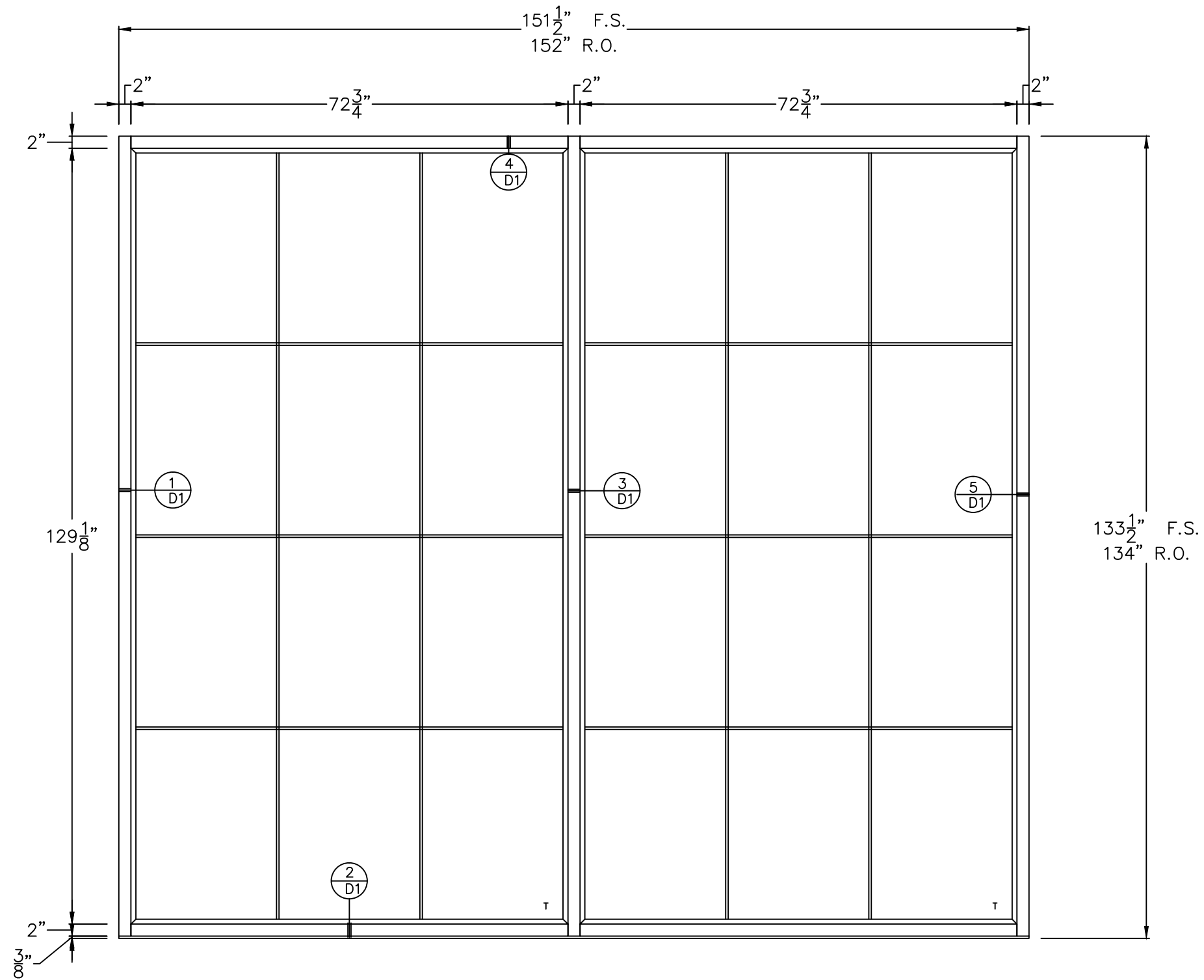
Sheet
 Elevation

Drawn By
 Sam Braden

Date Issued
 1-14-21

File No.
 C18253

Sheet No.
 E1



SIDE LITES QTY. REQD=2
 2 X 4 1/2" THERMAL-CENTER GLAZED-SCREW SPLINE-OUTSIDE GLAZED

1101 W HAMMOND ROAD
 TRAVERSE CITY, MI 49686
 Phone: 231-941-0050
 Fax: 231-941-2251



Project
 THIRD STREET

Sheet
 Elevation

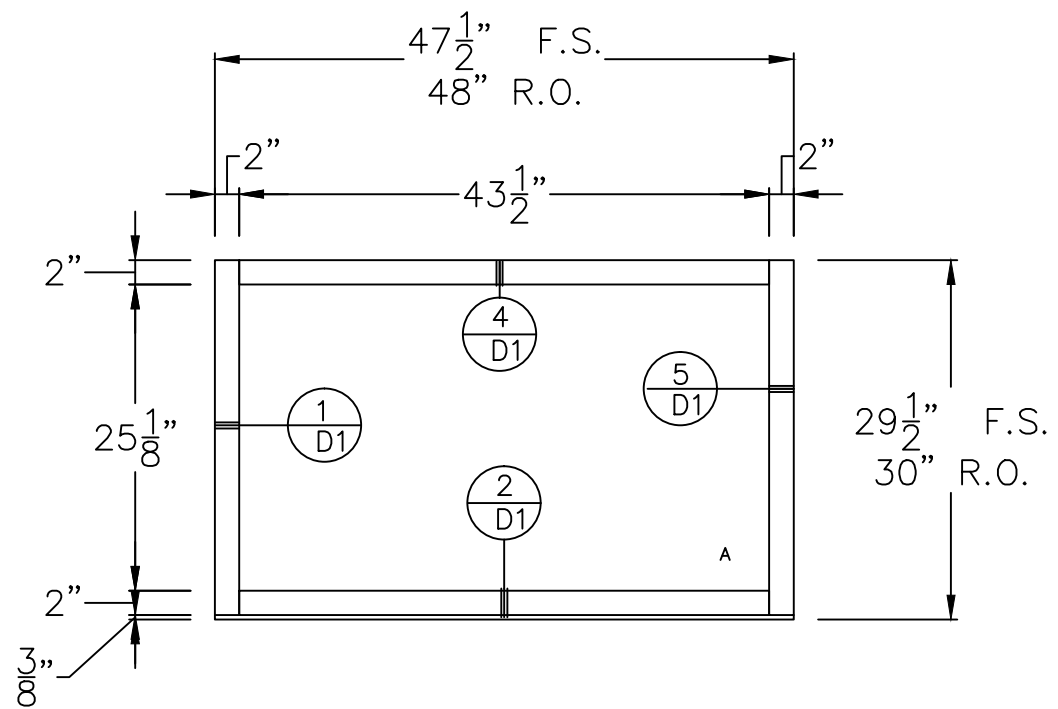
Drawn By
 Sam Braden

Approved By

Date Issued
 1-14-21

File No.
 C18253

Sheet No.
 E2



CLERESTORY QTY. REQD=6
 2 X 4 1/2" THERMAL-CENTER GLAZED-SCREW SPLINE-OUTSIDE GLAZED

1101 W HAMMOND ROAD
 TRAVERSE CITY, MI 49686
 Phone: 231-941-0050
 Fax: 231-941-2251



Project
 THIRD STREET

Sheet
 Elevation

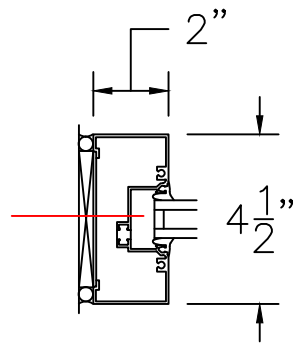
Drawn By
 Sam Braden

Approved By

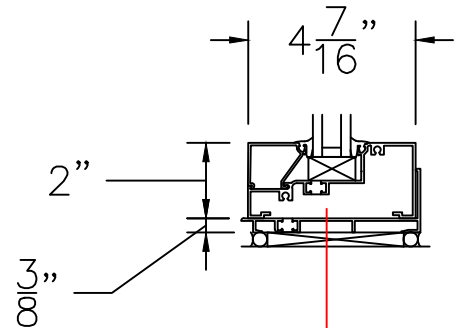
Date Issued
 1-14-21

File No.
 C18253

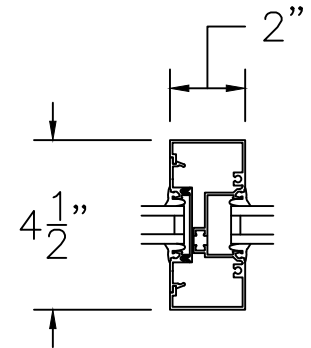
Sheet No.
 E3



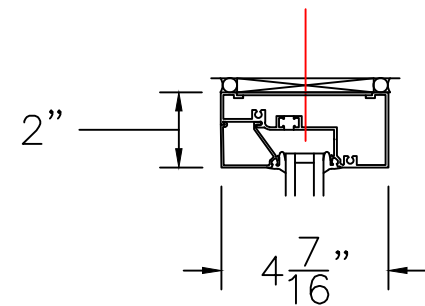
1 LEFT JAMB
D1



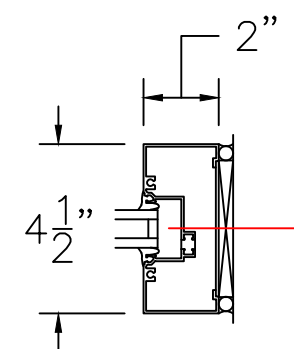
2 SILL
D1



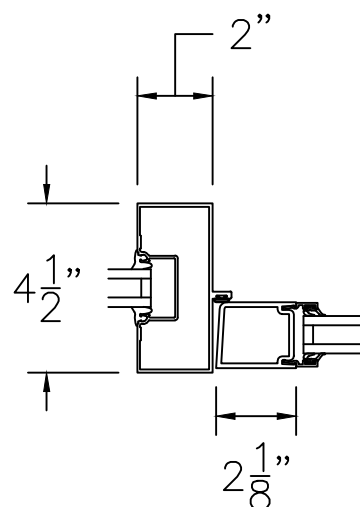
3 INTERMEDIATE VERTICAL
D1



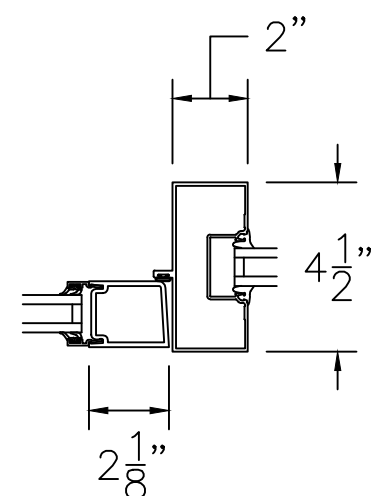
4 HEAD
D1



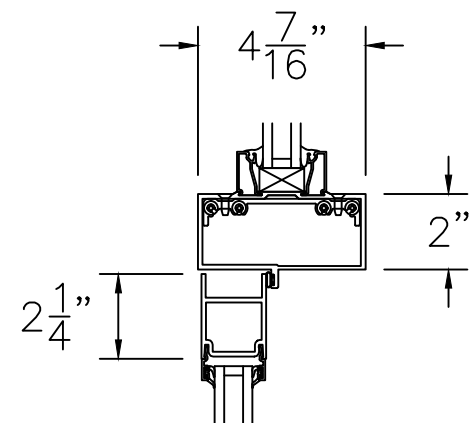
5 RIGHT JAMB
D1



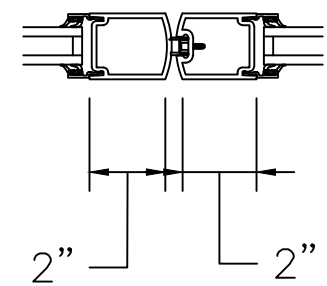
6 LEFT DOOR JAMB
D1



7 RIGHT DOOR JAMB
D1



8 DOOR HEAD
D1



9 MEETING STILES
D1

1101 W HAMMOND ROAD
TRAVERSE CITY, MI 49686
Phone: 231-941-0050
Fax: 231-941-2251



Project
THIRD STREET

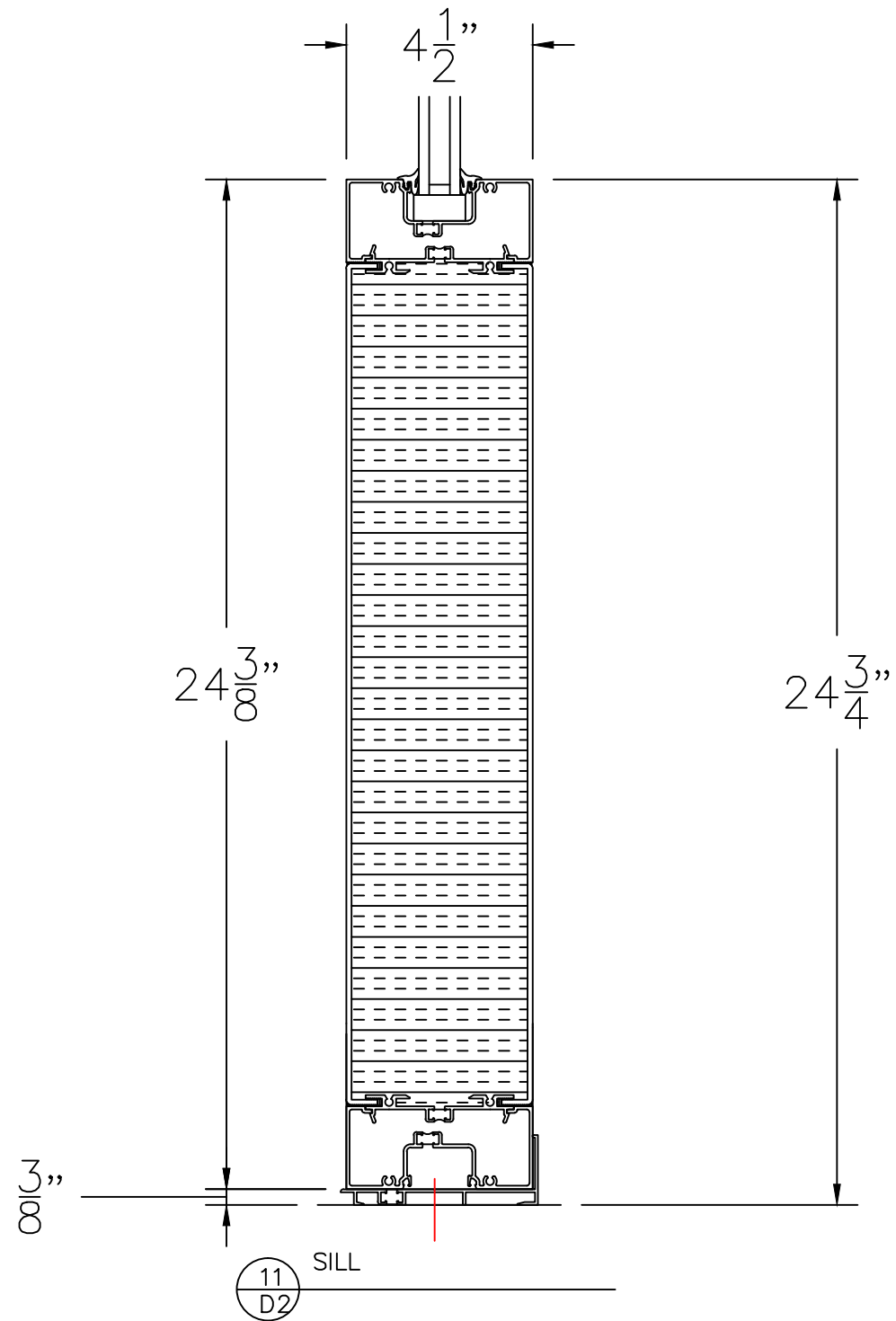
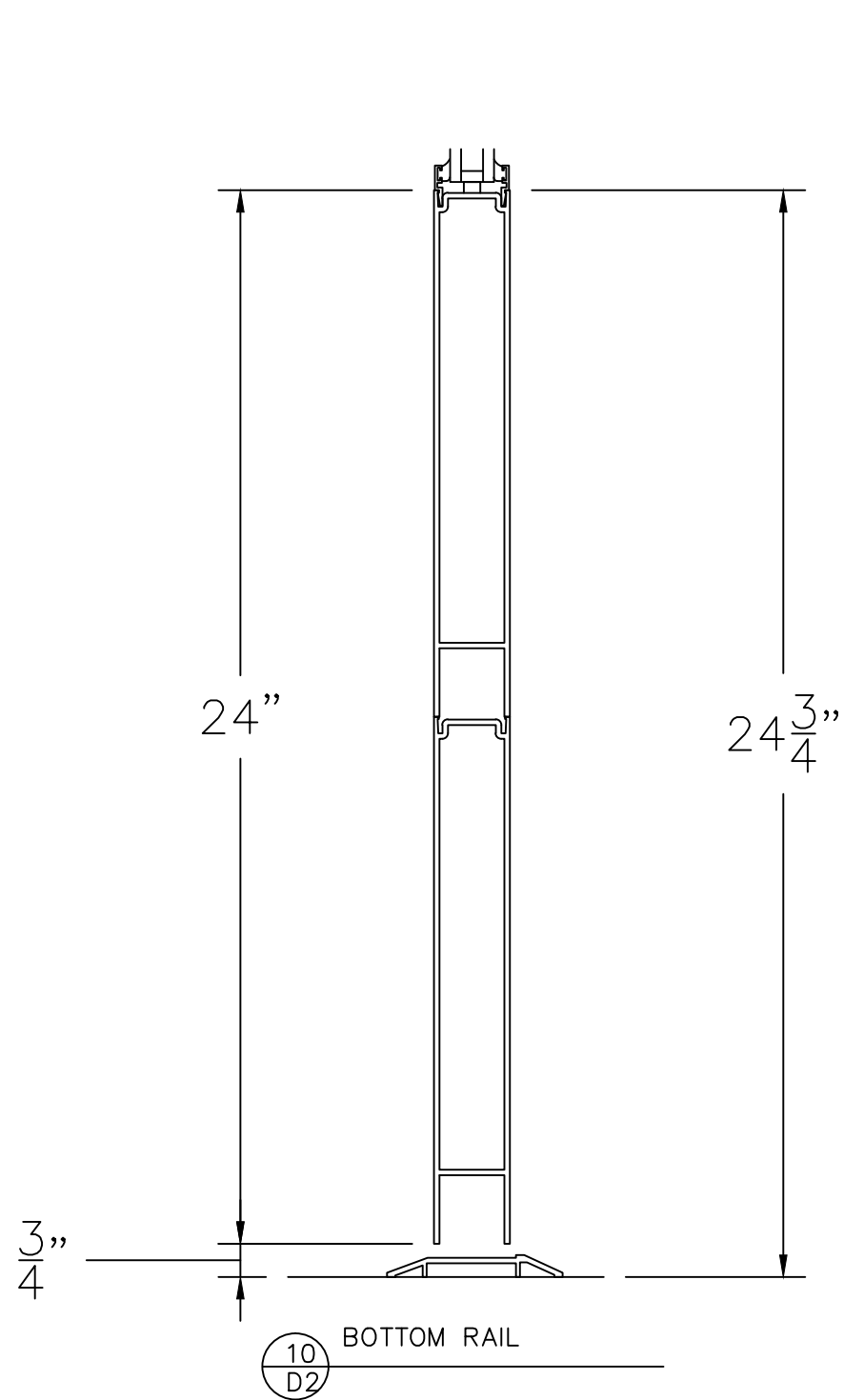
Sheet
Details

Drawn By
Sam Braden

Approved By
Date Issued
1-14-21

File No.
C18253

Sheet No.
D1



1101 W HAMMOND ROAD
 TRAVERSE CITY, MI 49686
 Phone: 231-941-0050
 Fax: 231-941-2251



Project
 THIRD STREET

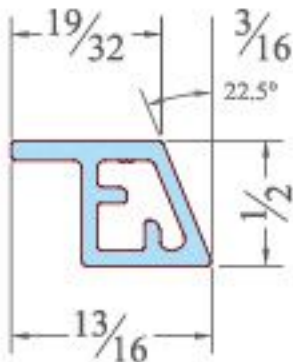
Sheet
 Details

Drawn By
 Sam Braden
 Approved By

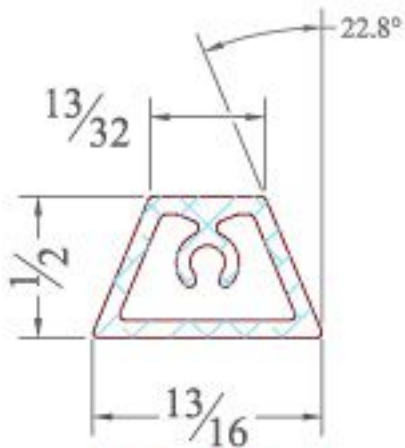
Date Issued
 1-14-21

File No.
 C18253

Sheet No.
 D2



BAM-05R*
STANDARD
TAPE-ON



BAM-09