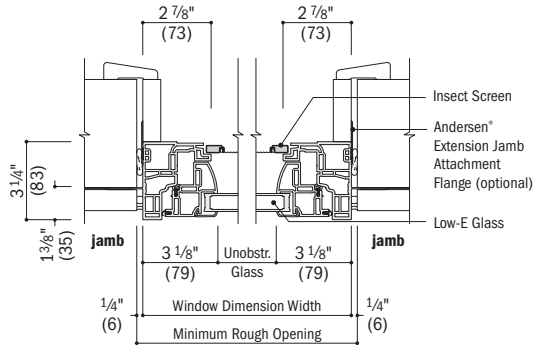


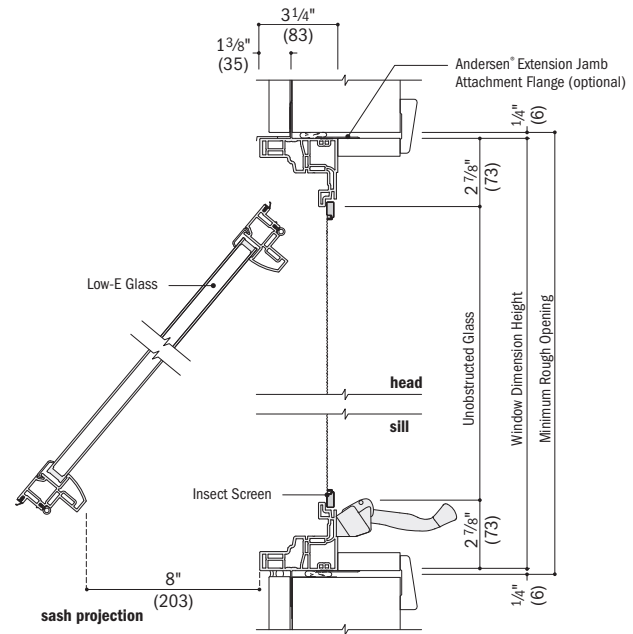
Awning Window Details - New Construction

Scale 1 1/2" (38) = 1'-0" (305) – 1:8

1 3/8" flange setback

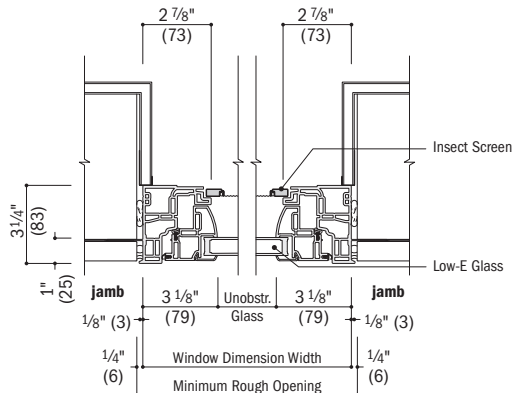


Horizontal Section

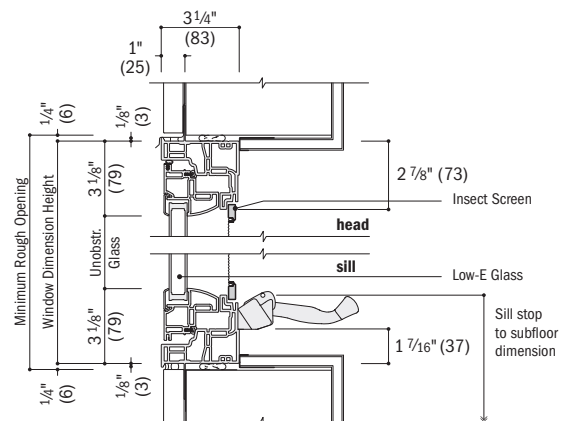


Vertical Section

1" flange setback with stucco key

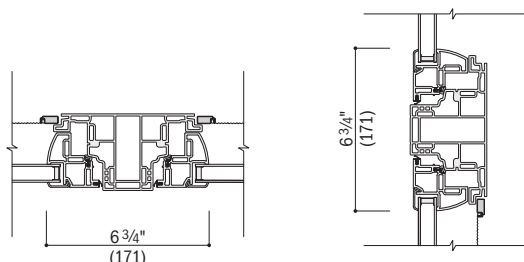


Horizontal Section
stucco exterior



Vertical Section
stucco exterior

Integrals



Horizontal Section
Twin Casement

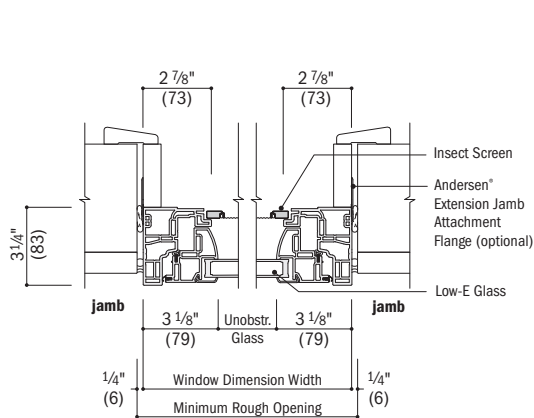
Vertical Section
Picture over Awning

- Drip cap is required to complete window installation as shown, but may not be included with the window. Use of drip cap is recommended for proper installation.
- Light-colored areas are parts included with window. Dark-colored areas are additional Andersen® parts required to complete window assembly as shown.
- **Rough openings may need to be increased to allow for use of building wraps, flashing, sill panning, brackets, fasteners or other items.**
- Details are for illustration only and are not intended to represent product installation methods or materials. Refer to product installation guides at andersenwindows.com.
- Dimensions in parentheses are in millimeters.

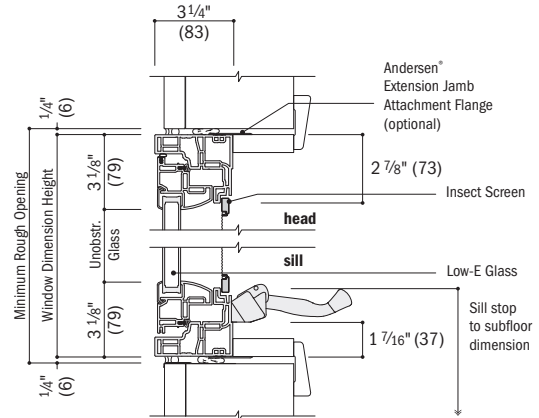
Awning Window Details - Replacement

Scale 1 1/2" (38) = 1'-0" (305) – 1:8

no flange

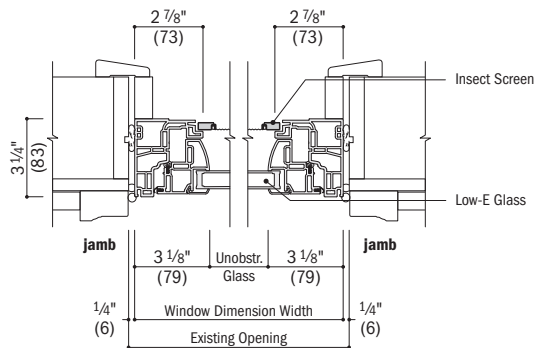


Horizontal Section
existing framed opening

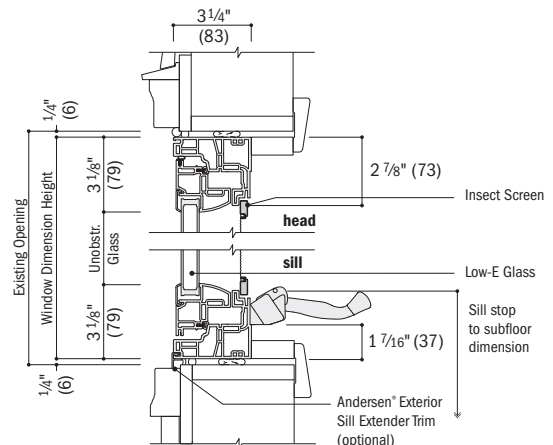


Vertical Section
existing framed opening

insert

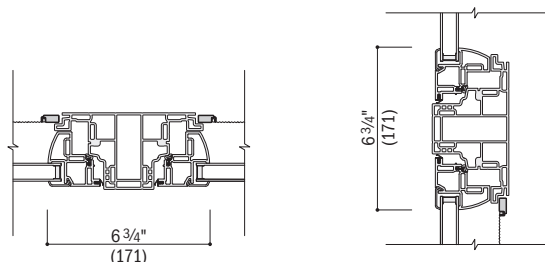


Horizontal Section
existing window opening



Vertical Section
existing window opening

integrals



Horizontal Section
Twin Casement

Vertical Section
Picture over Awning

- Drip cap is required to complete window installation as shown, but may not be included with the window. Use of drip cap is recommended for proper installation.
- Light-colored areas are parts included with window. Dark-colored areas are additional Andersen® parts required to complete window assembly as shown.
- **Rough openings may need to be increased to allow for use of building wraps, flashing, sill panning, brackets, fasteners or other items.**
- Details are for illustration only and are not intended to represent product installation methods or materials. Refer to product installation guides at andersenwindows.com.
- Dimensions in parentheses are in millimeters.

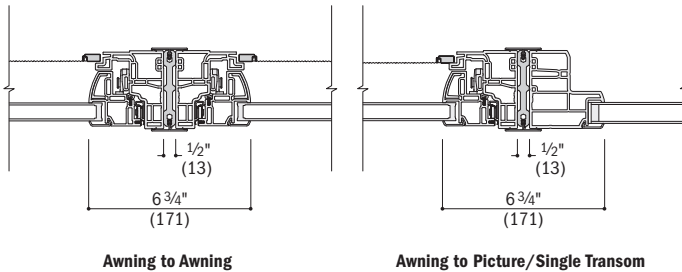
Vertical (ribbon) Fiberglass Joining Details – Non-Reinforced

Scale 1½" (38) = 1'-0" (305) – 1:8

Overall Window Dimension Width Sum of individual window widths plus ½" (13) per join.

Overall Minimum Rough Opening Width Overall window dimension width plus ¾" (19).

The addition of joining materials will affect the overall rough opening dimension.



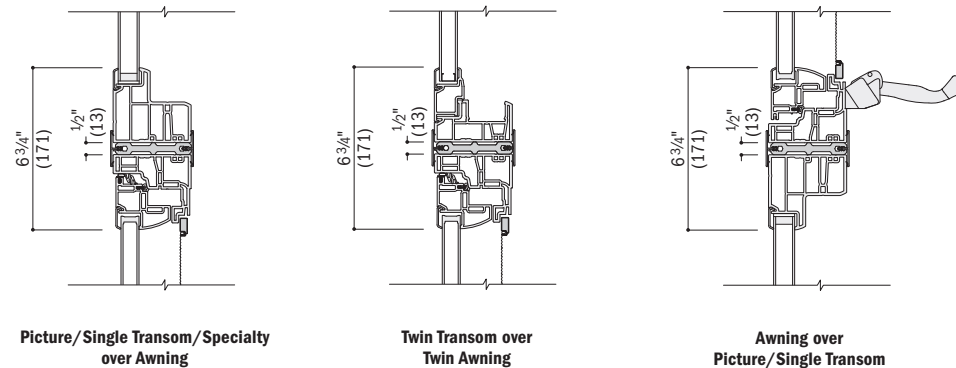
Horizontal (stack) Fiberglass Joining Details – Non-Reinforced

Scale 1½" (38) = 1'-0" (305) – 1:8

Overall Window Dimension Width Sum of individual window widths plus ½" (13) per join.

Overall Minimum Rough Opening Width Overall window dimension width plus ¾" (19).

The addition of joining materials will affect the overall rough opening dimension.



- Rough openings may need to be increased to allow for use of building wraps, flashing, sill panning, brackets, fasteners or other items.
- Details are for illustration only and are not intended to represent product installation methods or materials. Refer to product installation guides at andersenwindows.com.
- Structural performance of any combination is only as high as the lowest structural performance of any individual window or join in the combination.
- Dimensions in parentheses are in millimeters.

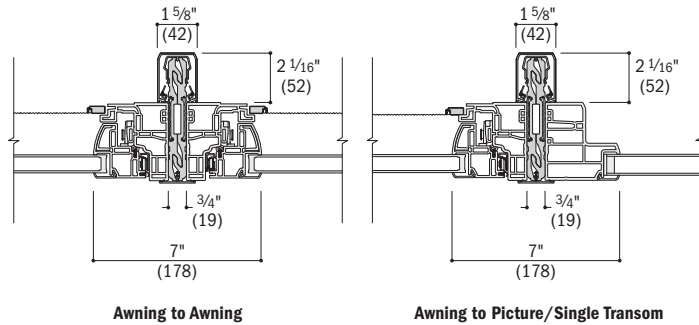
Vertical (ribbon) Fiberglass Joining Details – Reinforced

Scale 1 1/2" (38) = 1'-0" (305) – 1:8

Overall Window Dimension Width Sum of individual window widths plus 3/4" (19) per join.

Overall Minimum Rough Opening Width Overall window dimension width plus 3/4" (19).

The addition of joining materials will affect the overall rough opening dimension.



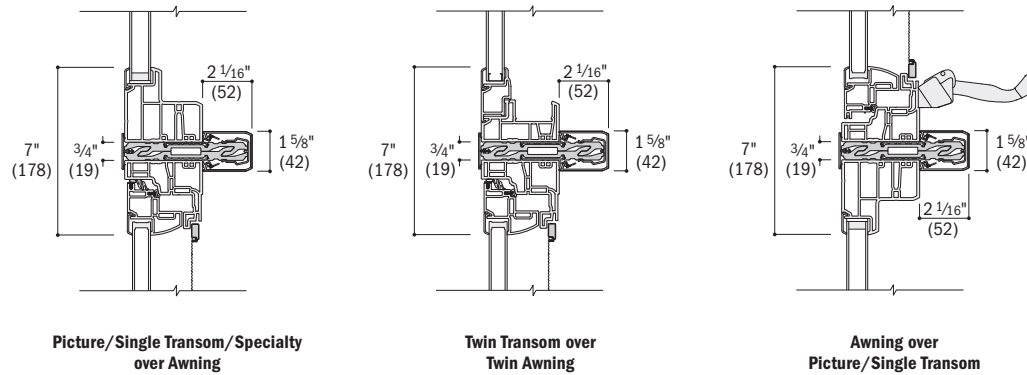
Horizontal (stack) Fiberglass Joining Details – Reinforced

Scale 1 1/2" (38) = 1'-0" (305) – 1:8

Overall Window Dimension Width Sum of individual window widths plus 3/4" (19) per join.

Overall Minimum Rough Opening Width Overall window dimension width plus 3/4" (19).

The addition of joining materials will affect the overall rough opening dimension.



- Rough openings may need to be increased to allow for use of building wraps, flashing, sill panning, brackets, fasteners or other items.
- Details are for illustration only and are not intended to represent product installation methods or materials. Refer to product installation guides at andersenwindows.com.
- Structural performance of any combination is only as high as the lowest structural performance of any individual window or join in the combination.
- Dimensions in parentheses are in millimeters.