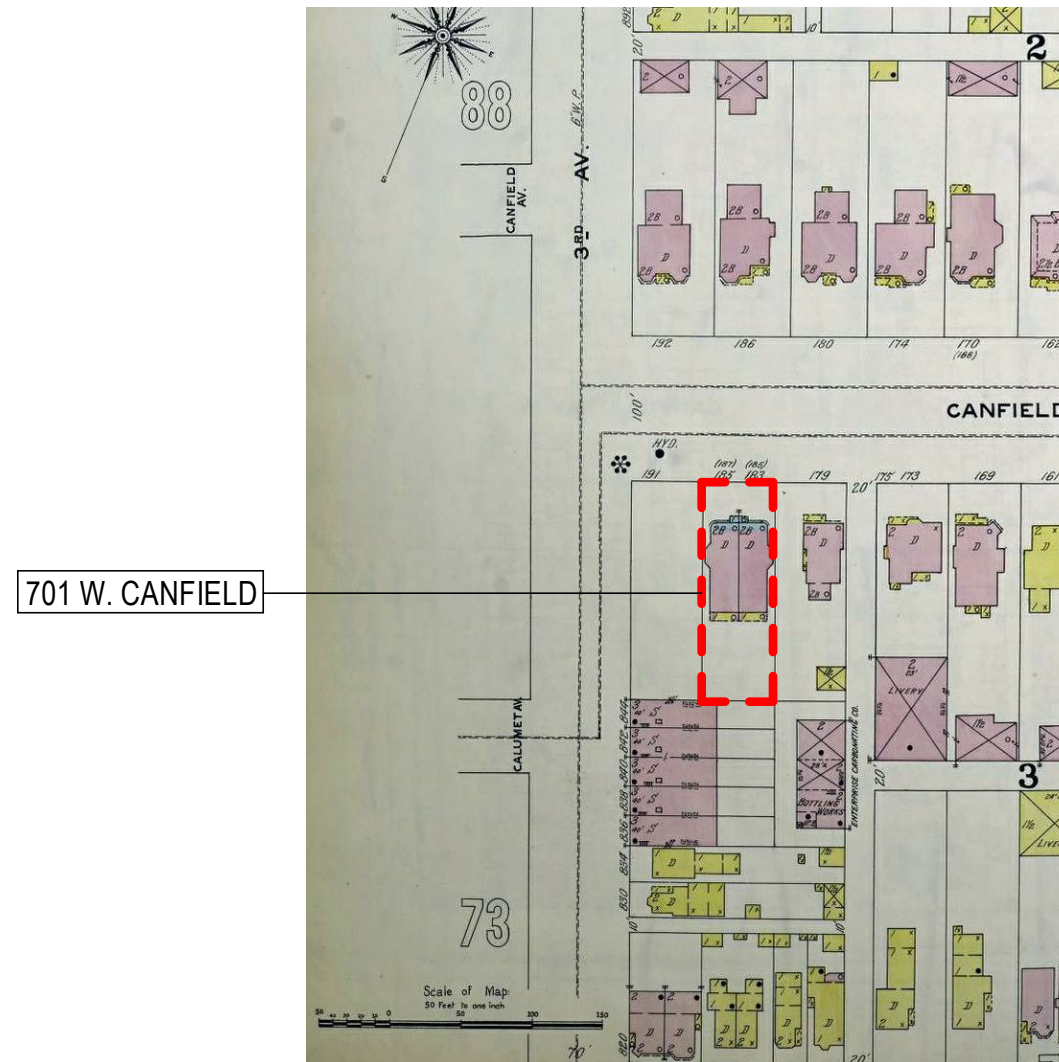


PROPOSED WINDOW REPLACEMENT TO 701 W. CANFIELD



1. 1897 SANBORN MAP VOL. 2, MAP 89

INDEX

SHEET NO.

H.02	HISTORIC PHOTOGRAPHS
H.03	EXISTING CONDITIONS - PHOTOGRAPHS
H.04	EXISTING CONDITIONS - PHOTOGRAPHS
H.05	EXISTING CONDITIONS - PHOTOGRAPHS
H.06	BASEMENT FLOOR PLANS
H.07	FIRST FLOOR PLANS
H.08	SECOND FLOOR PLANS
H.09	THIRD FLOOR PLANS
H.10	PROPOSED NORTH ELEVATION
H.11	PROPOSED EAST ELEVATION
H.12	PROPOSED WEST ELEVATION
H.13	PROPOSED SOUTH ELEVATION
H.14	WINDOW TYPES: BASEMENT
H.15	WINDOW TYPES: 1A, 1C
H.16	WINDOW TYPES: 1B
H.17	WINDOW TYPES: 1D, 1E, 1F
H.18	WINDOW TYPES: 1G, 2A
H.19	WINDOW TYPES 2B
H.20	WINDOW TYPES 2C, 2D, 2E
H.21	WINDOW TYPES 2F, 2G
H.22	WINDOW TYPES 3A, 3B
H.23	WINDOW TYPES 3C, 3D
H.24	WINDOW TYPES 3E
H.25	WINDOW DETAILS: DOUBLE-HUNG WITH TRANSOM
H.26	WINDOW DETAILS: DOUBLE-HUNG
H.27	WINDOW DETAILS: CASEMENT
H.28	WINDOW DETAILS: FRENCH CASEMENT
H.29	WINDOW DETAILS: JAMB & MULLING DETAILS
H.30	WINDOW DETAILS: TYPICAL BASEMENT WINDOW DETAILS
H.31	WINDOW SPECIFICATIONS

SCOPE OF WORK

GENERAL NOTES:

- A. SEE SHEETS H.14, H.15, H.16, H.17, H.18, H.19, H.20, H.21, H.22, H.23 & H.24 FOR WINDOW TYPES.
- B. SEE SHEET H.31 FOR PRODUCT SPECIFICATIONS.

NORTH ELEVATION (FRONT):

- A. REPLACE (8) EXISTING VINYL DOUBLE-HUNG WINDOWS WITH CLAD WOOD DOUBLE-HUNG INSERT WINDOWS.
- B. REPLACE (8) EXISTING WOOD DOUBLE-HUNG WINDOWS WITH CLAD WOOD DOUBLE-HUNG INSERT WINDOWS.
- C. REPLACE (2) VINYL CASEMENT WINDOWS WITH (1) FRENCH INSWING CASEMENT CLAD WOOD WINDOW.
- D. REPLACE (1) WOOD FRENCH INSWING CASEMENT WINDOW WITH A CLAD WOOD FRENCH INSWING CASEMENT WINDOW.
- E. REPLACE (1) VINYL SLIDING WINDOW WITH (1) CLAD WOOD CASEMENT WINDOW AT BASEMENT.
- F. REPLACE (2) WOOD CASEMENT WINDOWS WITH CLAD WOOD CASEMENT WINDOWS AT BASEMENT.

EAST ELEVATION:

- A. REPLACE (7) VINYL SLIDING WINDOWS WITH (7) CLAD WOOD CASEMENT WINDOWS AT BASEMENT. REMOVE METAL GRILLS AT EACH WINDOW.
- B. REPLACE (12) EXISTING VINYL DOUBLE-HUNG WINDOWS WITH CLAD WOOD DOUBLE-HUNG INSERT WINDOWS.
- C. REPLACE (2) EXISTING VINYL CASEMENT WINDOWS WITH (2) CLAD WOOD DOUBLE-HUNG INSERT WINDOWS.
- D. REPLACE (1) EXISTING VINYL CASEMENT WINDOW WITH (1) CLAD WOOD CASEMENT INSERT WINDOW.

SOUTH ELEVATION (REAR):

NO WORK PROPOSED AT THIS AREA

WEST ELEVATION:

- A. REPLACE (6) WOOD CASEMENT WINDOWS WITH CLAD WOOD CASEMENT WINDOWS AT BASEMENT.
- B. REPLACE (12) EXISTING WOOD DOUBLE-HUNG WINDOWS WITH CLAD WOOD DOUBLE-HUNG INSERT WINDOWS.
- C. REPLACE (2) EXISTING WOOD CASEMENT WINDOWS WITH (2) CLAD WOOD CASEMENT WINDOWS.
- D. REPLACE (1) EXISTING WOOD CASEMENT WINDOW WITH (1) CLAD WOOD CASEMENT WINDOW.



1. PHOTO FROM STREET - CA. 1970



2. PHOTO FROM STREET - DATE UNKNOWN



1. PHOTO FROM STREET - EXISTING CONDITIONS



2. PHOTO FROM REAR - EXISTING CONDITIONS



5. WEST ELEV. (TOWARD SOUTH)



6. WEST ELEV. (TOWARD SOUTH)



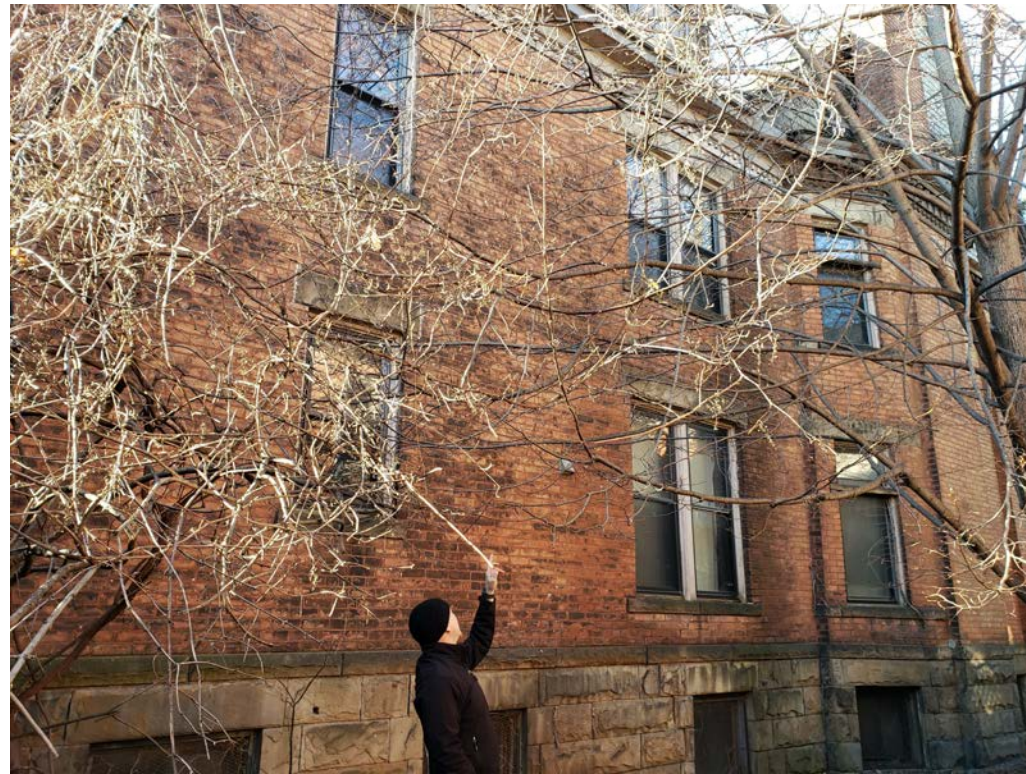
7. WEST ELEV. (TOWARD NORTH)



8. WEST ELEV. (TOWARD NORTH)



1. EAST ELEV. (TOWARD NORTH)



2. EAST ELEVATION (TOWARD NORTH)



3. EAST ELEV.
(TOWARD SOUTH)



4. EAST ELEV. (TOWARD SOUTH)



4. EXISTING WINDOW TYPE 1F (WEST)



5. EXISTING WINDOW TYPES 3C & 3D (WEST)



6. EXISTING WINDOW TYPES 3C & 3D (EAST)



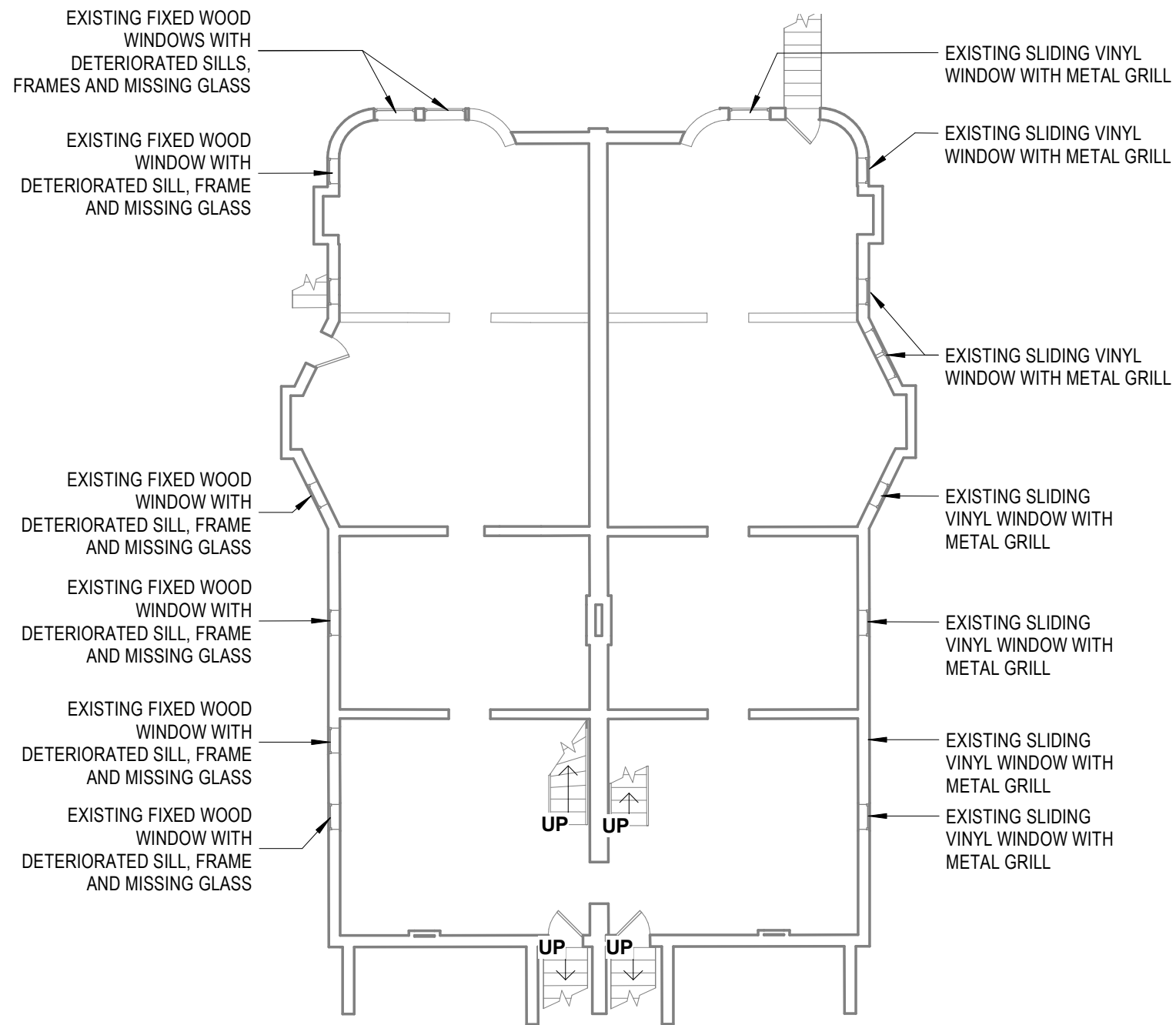
1. EXISTING WINDOW TYPES 1D & 1E (WEST)



2. EXISTING WINDOW TYPE 2A (WEST)



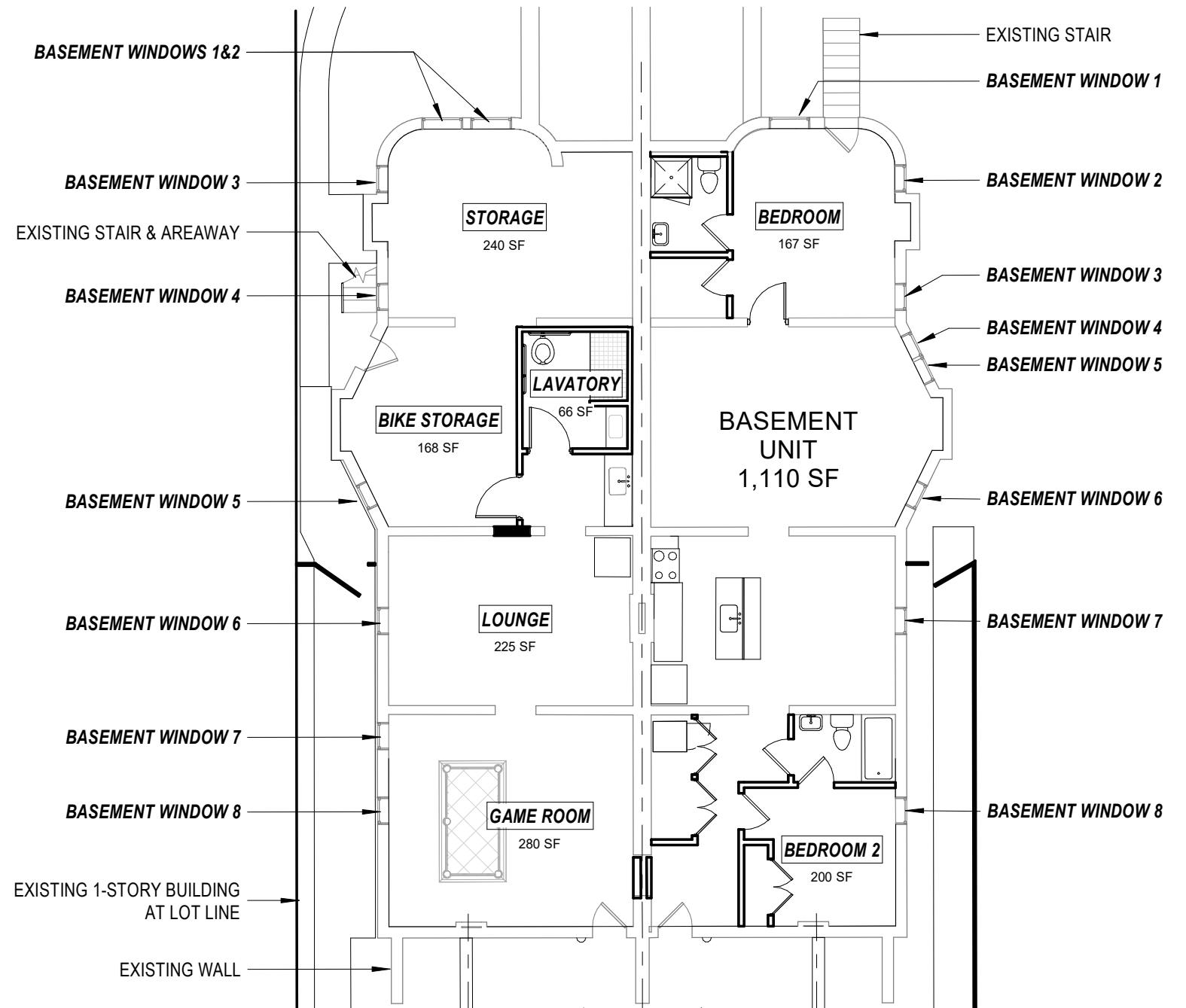
3. EXISTING WINDOW TYPES 2A & 2B (EAST)



1 EXISTING BASEMENT FLOORPLAN

H.06 3/32" = 1'-0"

PUSH
DESIGN LLC



GENERAL NOTES:

1. REMOVE EXISTING METAL SECURITY GRILLS WHERE PRESENT.
2. INSTALL CASEMENT AT ALL BASEMENT WINDOW OPENINGS - SEE 1/H.14 FOR WINDOW TYPE.

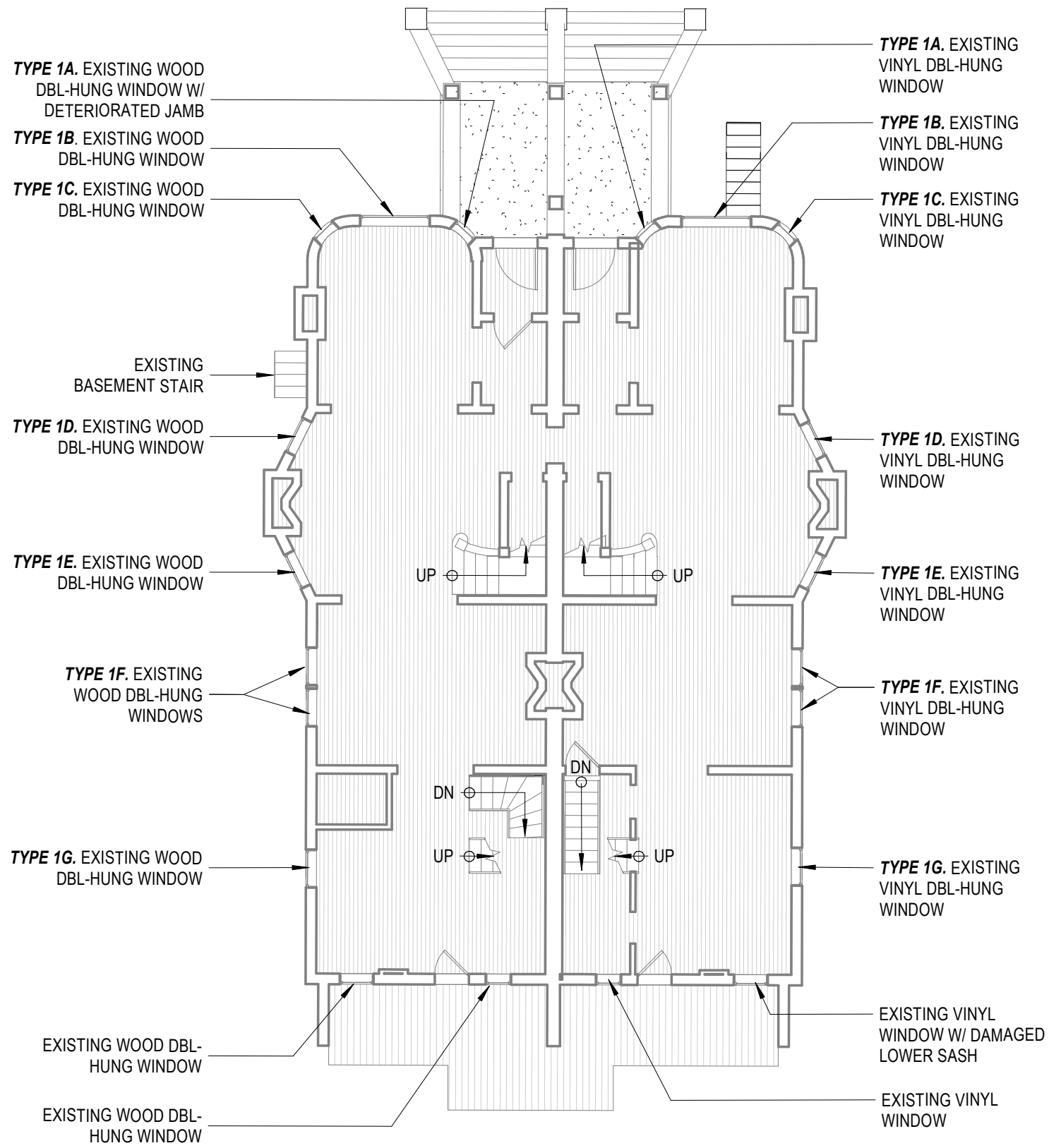
2 BASEMENT CONSTRUCTION PLAN

H.06 3/32" = 1'-0"

12.09.2020

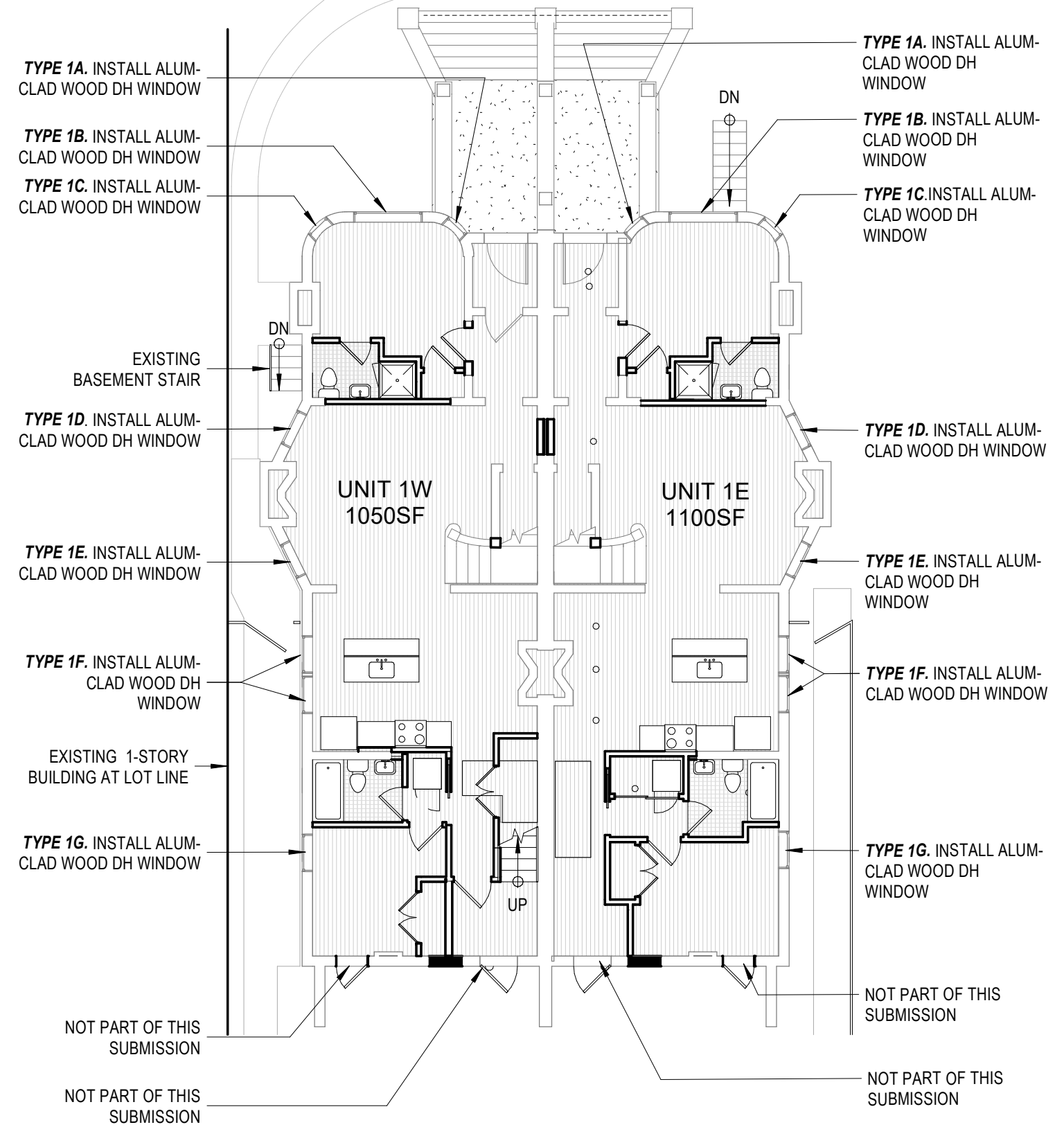
CANFIELD APARTMENTS

H.06



1 EXISTING FIRST FLOORPLAN

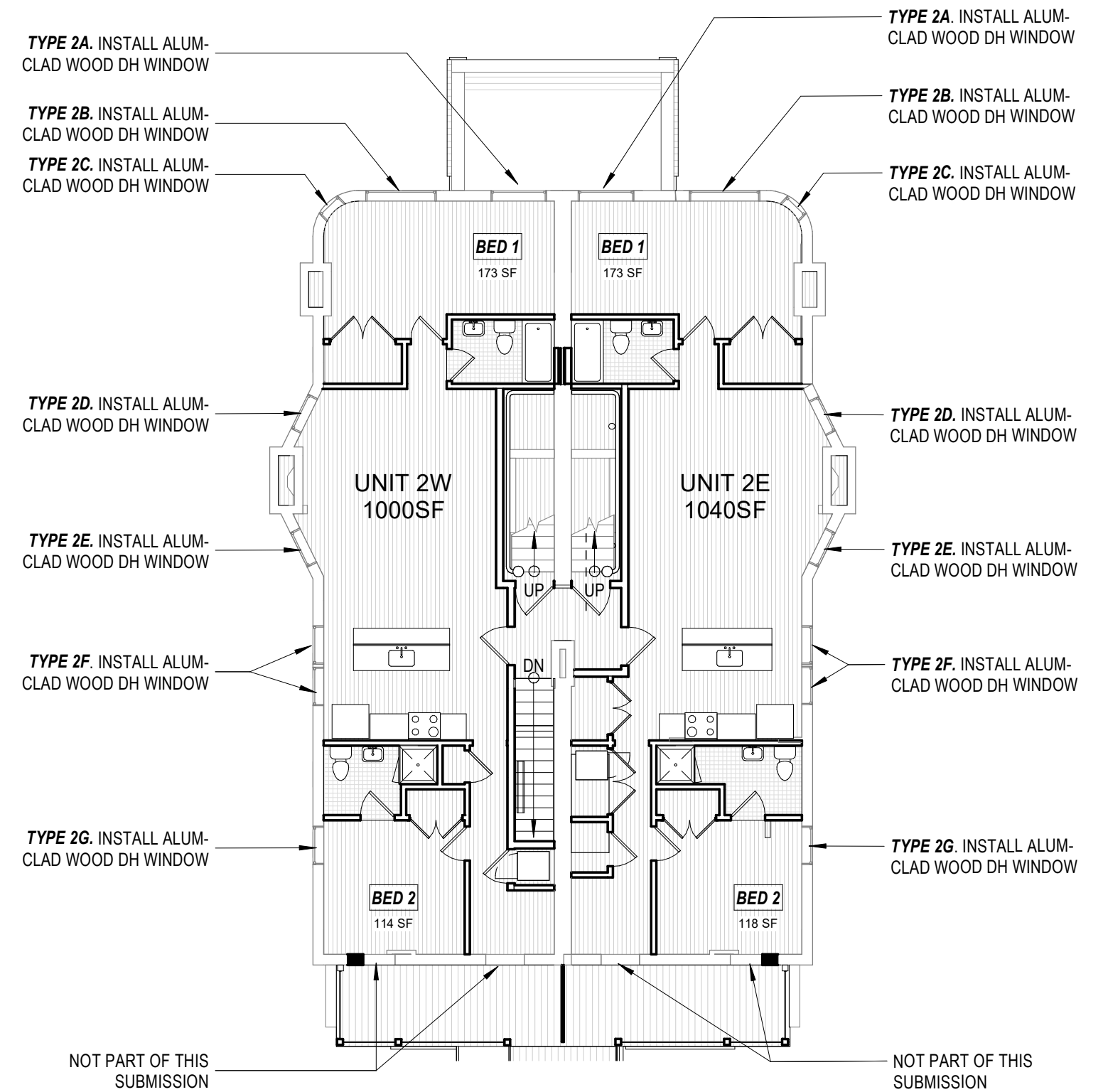
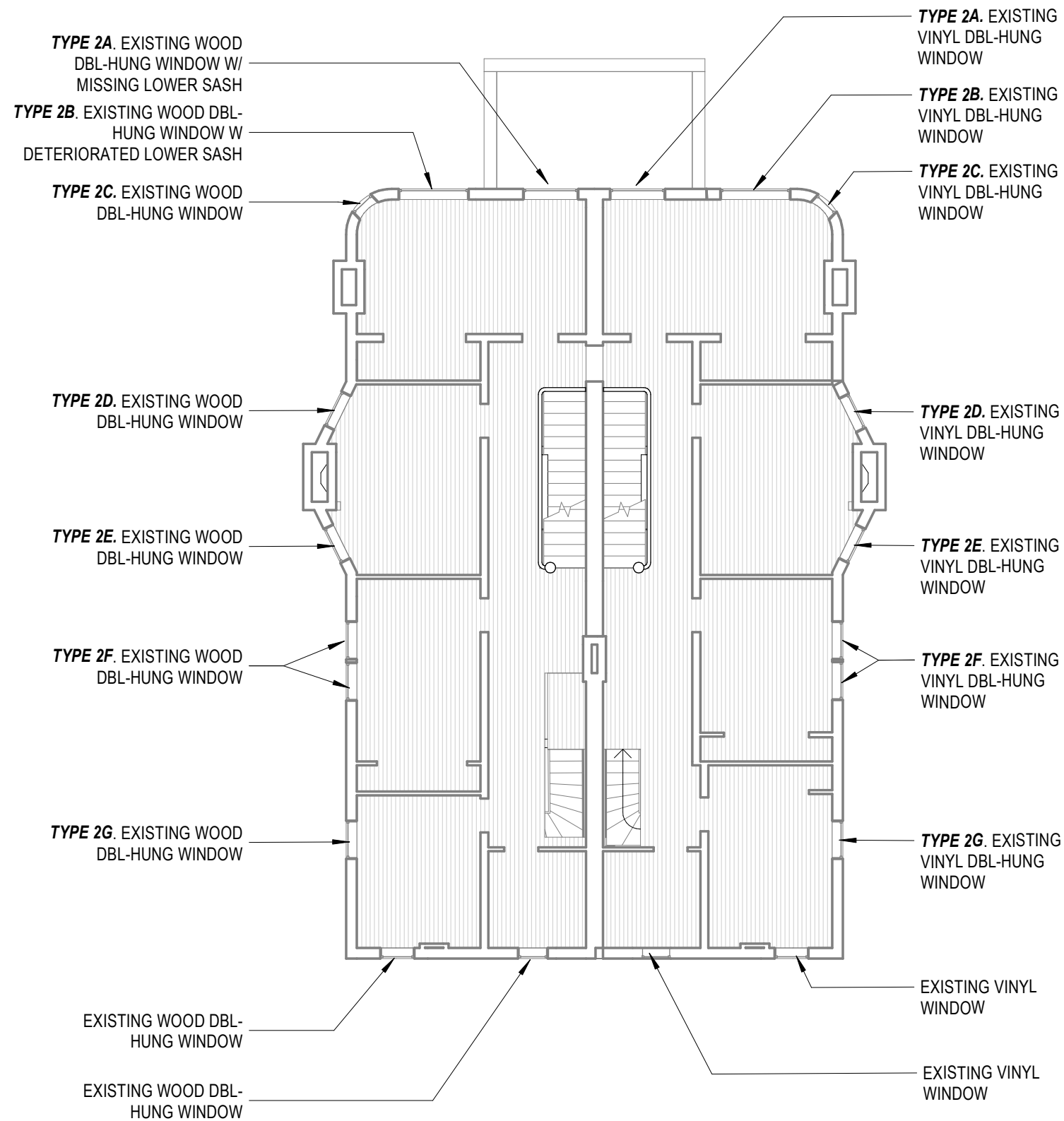
H.07 3/32" = 1'-0"



2 PROPOSED FIRST FLOORPLAN

H.07 3/32" = 1'-0"

SEE SHEET H.15 & H.16 FOR WINDOW TYPES



1 EXISTING SECOND FLOORPLAN

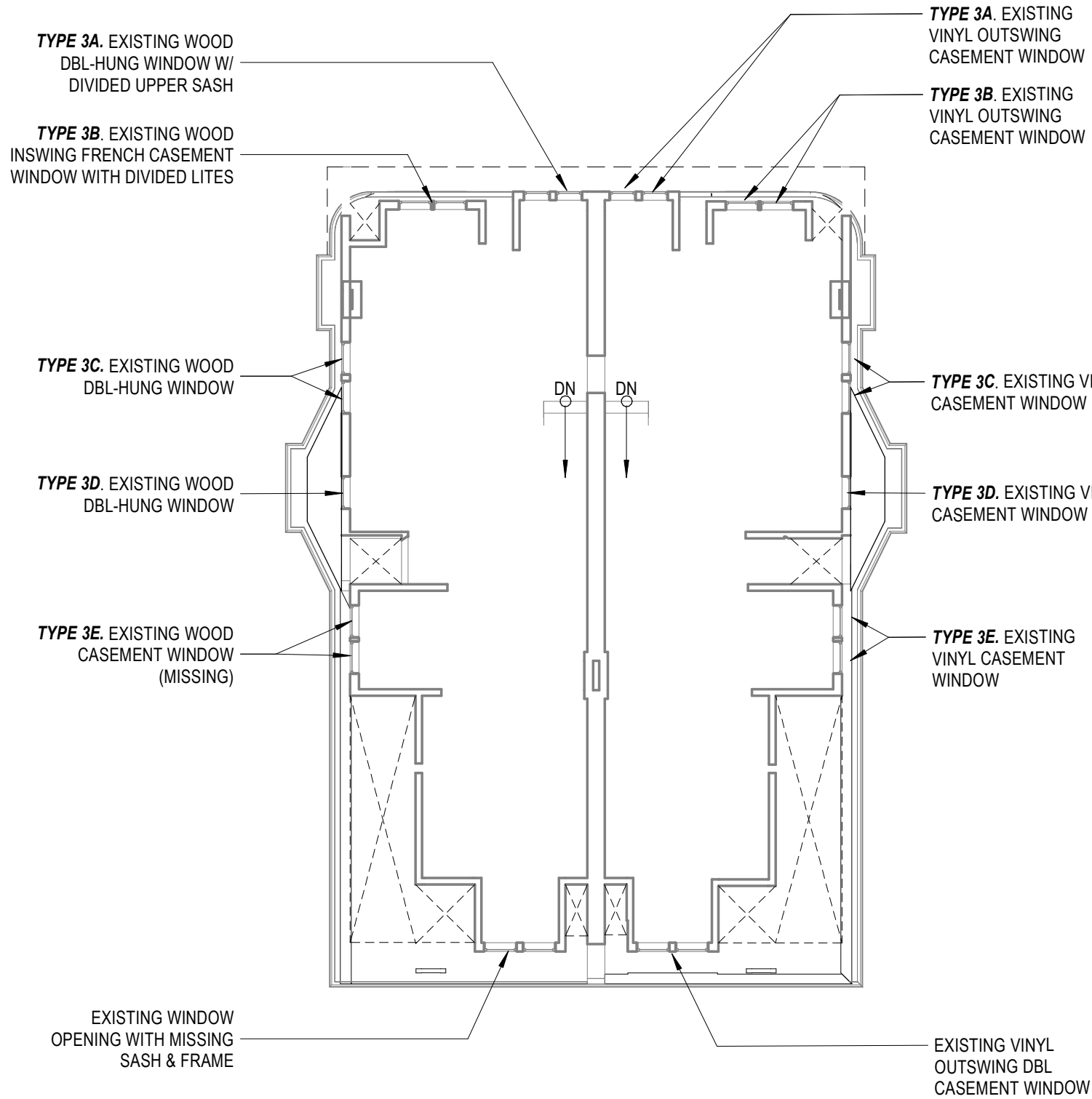
H.08 3/32" = 1'-0"

SEE SHEET H.16 & H.17 FOR WINDOW TYPES

2 PROPOSED SECOND FLOORPLAN

H.08 3/32" = 1'-0"

SEE SHEET H.16 & H.17 FOR WINDOW TYPES



TYPE 3A. EXISTING WOOD DBL-HUNG WINDOW W/ DIVIDED UPPER SASH

TYPE 3B. EXISTING WOOD INSWING FRENCH CASEMENT WINDOW WITH DIVIDED LITES

TYPE 3C. EXISTING WOOD DBL-HUNG WINDOW

TYPE 3D. EXISTING WOOD DBL-HUNG WINDOW

TYPE 3E. EXISTING WOOD CASEMENT WINDOW (MISSING)

EXISTING WINDOW OPENING WITH MISSING SASH & FRAME

TYPE 3A. EXISTING VINYL OUTSWING CASEMENT WINDOW

TYPE 3B. EXISTING VINYL OUTSWING CASEMENT WINDOW

TYPE 3C. EXISTING VINYL CASEMENT WINDOW

TYPE 3D. EXISTING VINYL CASEMENT WINDOW

TYPE 3E. EXISTING VINYL CASEMENT WINDOW

EXISTING VINYL OUTSWING DBL CASEMENT WINDOW

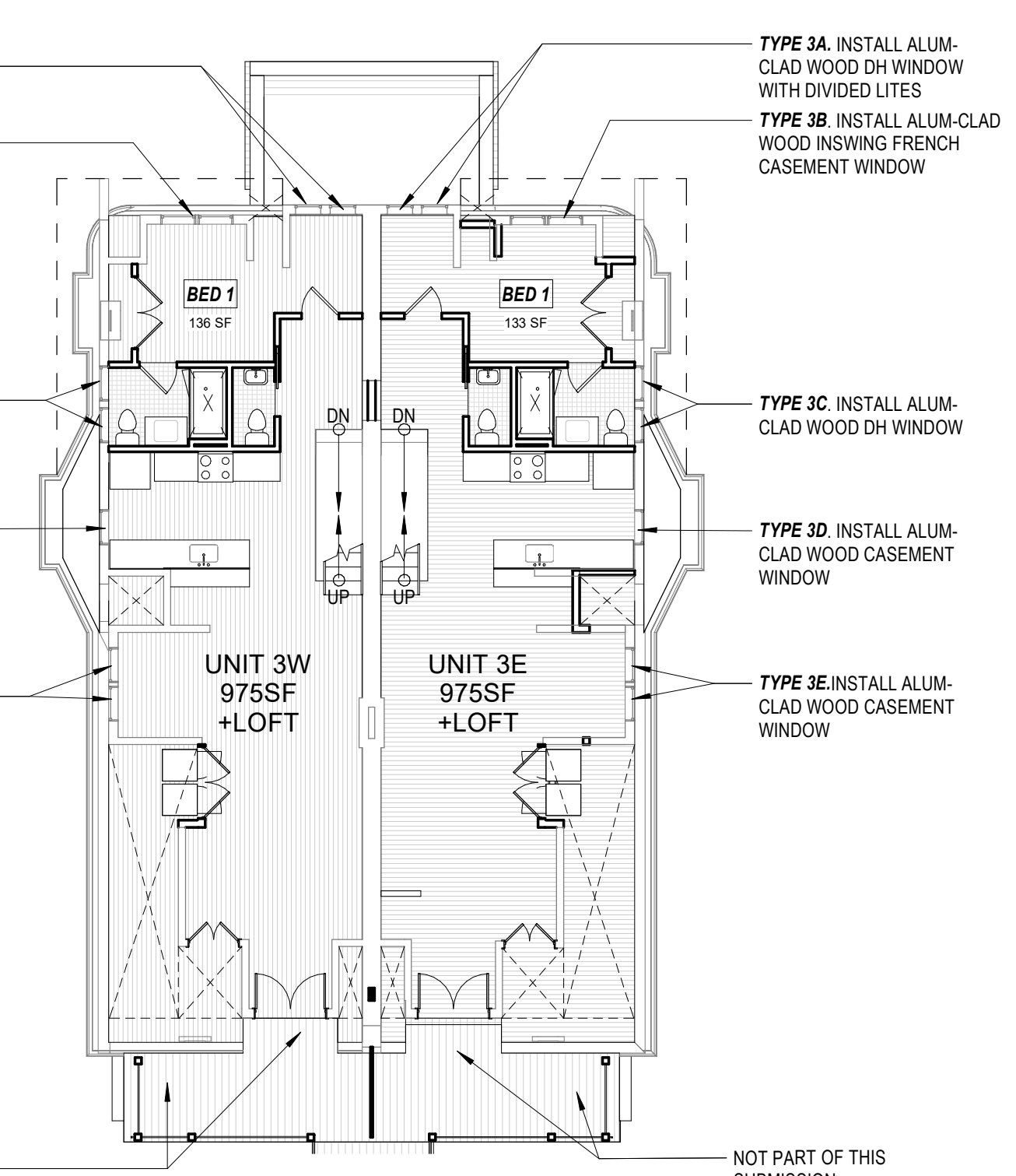
TYPE 3A. INSTALL ALUM-CLAD WOOD DH WINDOW WITH DIVIDED LITES
TYPE 3B. INSTALL ALUM-CLAD WOOD INSWING FRENCH CASEMENT WINDOW

TYPE 3C. INSTALL ALUM-CLAD WOOD DH WINDOW

TYPE 3D. INSTALL ALUM-CLAD WOOD DH WINDOW

TYPE 3E. INSTALL ALUM-CLAD WOOD CASEMENT WINDOW

NOT PART OF THIS SUBMISSION



TYPE 3A. INSTALL ALUM-CLAD WOOD DH WINDOW WITH DIVIDED LITES

TYPE 3B. INSTALL ALUM-CLAD WOOD INSWING FRENCH CASEMENT WINDOW

TYPE 3C. INSTALL ALUM-CLAD WOOD DH WINDOW

TYPE 3D. INSTALL ALUM-CLAD WOOD CASEMENT WINDOW

TYPE 3E. INSTALL ALUM-CLAD WOOD CASEMENT WINDOW

NOT PART OF THIS SUBMISSION

1 EXISTING THIRD FLOORPLAN

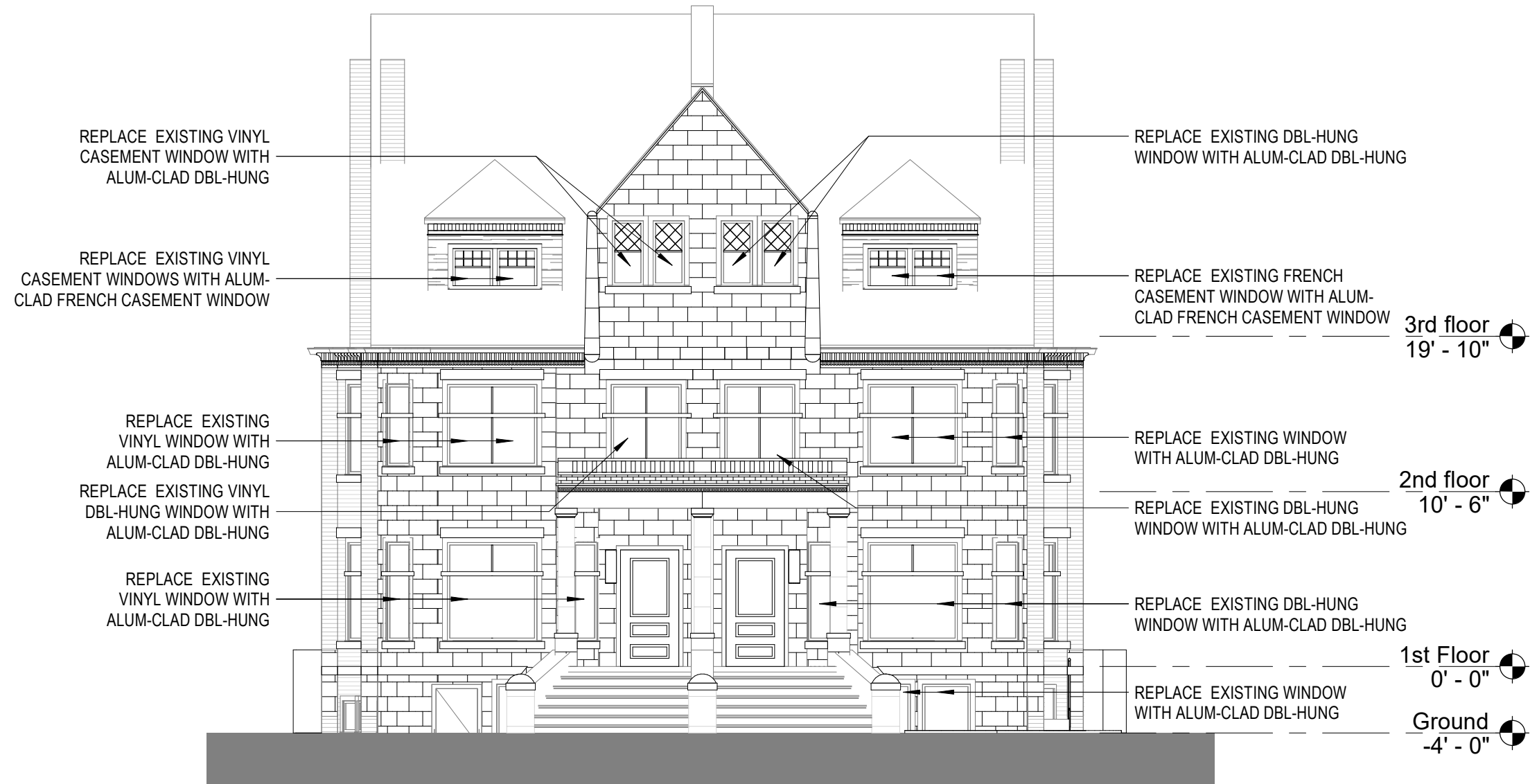
SEE SHEET H.18 FOR WINDOW TYPES

H.09 3/32" = 1'-0"

2 PROPOSED THIRD FLOORPLAN

SEE SHEET H.18 FOR WINDOW TYPES

H.09 3/32" = 1'-0"



1 PROPOSED NORTH ELEVATION (STREET)

H.10 | 1/8" = 1'-0"



1 PROPOSED EAST ELEVATION

H.11 | 1/8" = 1'-0"



1 PROPOSED WEST ELEVATION

H.12 | 1/8" = 1'-0"

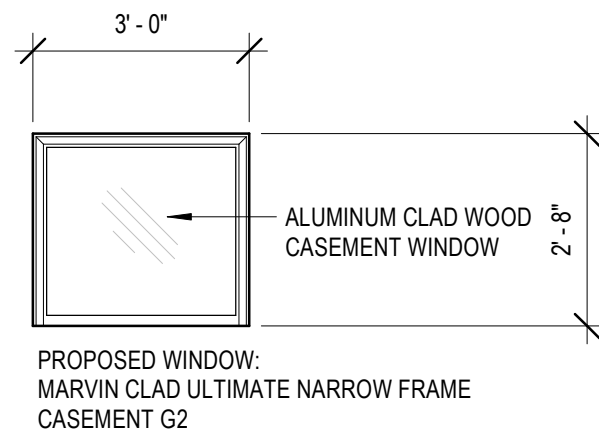
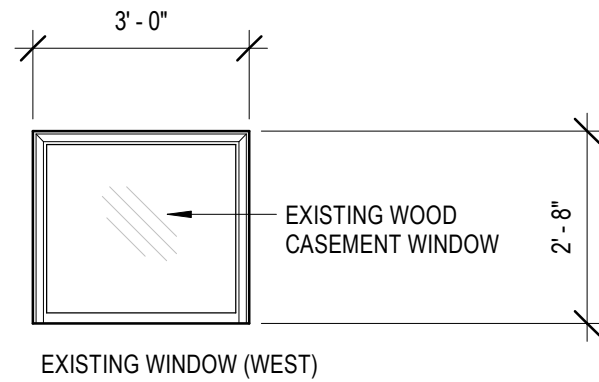
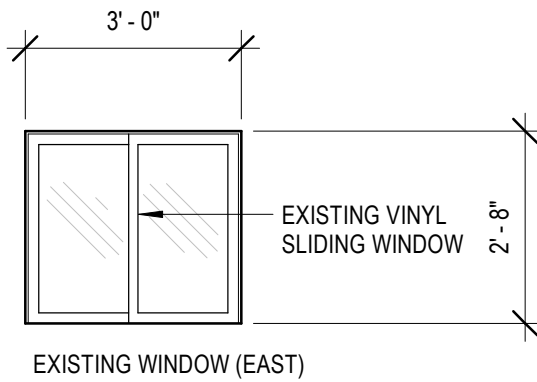


1 SOUTH ELEVATION (FOR REFERENCE ONLY - NO PROPOSED WORK IN THIS SUBMISSION)

H.13 3/16" = 1'-0"



1. TYPICAL BASEMENT WINDOW EXTERIOR (EAST)



EXISTING BASEMENT
WOOD WINDOWS 1 & 2 (WEST)



EXISTING BASEMENT
VINYL WINDOW 1 (EAST)



EXISTING BASEMENT
VINYL WINDOW 2 (EAST)



EXISTING BASEMENT
VINYL WINDOW 3 (EAST)



EXISTING BASEMENT
WOOD WINDOW 3 (WEST)



EXISTING BASEMENT
VINYL WINDOWS 4 & 5 (EAST)



EXISTING BASEMENT
WOOD WINDOW 4 (WEST)



EXISTING BASEMENT
VINYL WINDOW 7 (EAST)



EXISTING BASEMENT
WOOD WINDOW 5 (WEST)



EXISTING BASEMENT
VINYL WINDOW 8 (EAST)

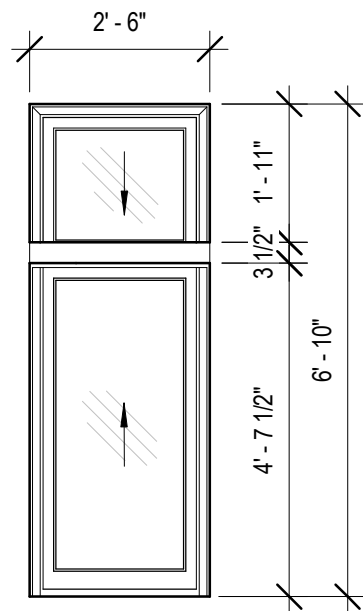


EXISTING BASEMENT
WOOD WINDOW 4 (WEST)

1 WINDOW TYPE - TYPICAL AT BASEMENT

H.14 | 3/8" = 1'-0"

SEE DETAILS ON SHEET H.27



EXISTING WINDOWS
 EAST - VINYL DOUBLE-HUNG
 WEST - WOOD DOUBLE-HUNG



1A EAST - EXISTING EXTERIOR
 VINYL DOUBLE-HUNG



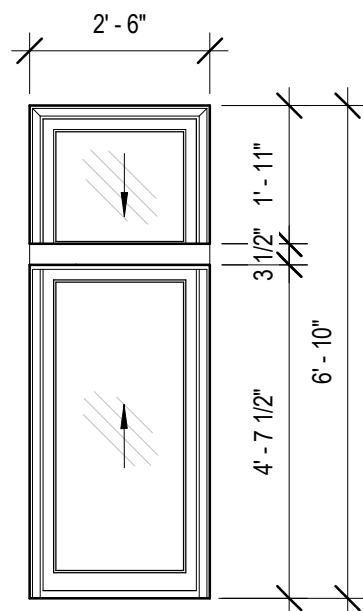
1A EAST - EXISTING INTERIOR
 VINYL DOUBLE-HUNG



1A WEST - EXTERIOR
 WOOD DOUBLE-HUNG



1A WEST - EXISTING INTERIOR
 WOOD DOUBLE-HUNG



PROPOSED WINDOW:
 MARVIN CLAD ULTIMATE
 DBL-HUNG G2



1C EAST - EXISTING EXTERIOR
 WOOD DOUBLE-HUNG



1C EAST - EXISTING INTERIOR
 WOOD DOUBLE-HUNG



1C WEST - EXTERIOR
 WOOD DOUBLE-HUNG

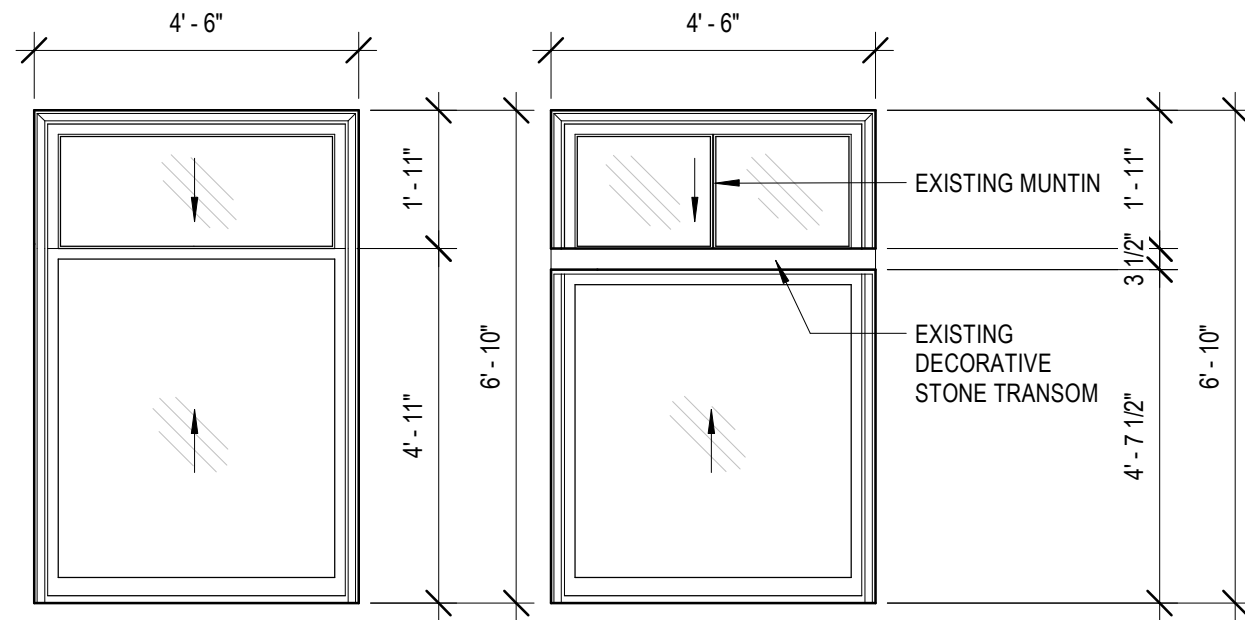


1C WEST - EXISTING INTERIOR
 WOOD DOUBLE-HUNG

1 WINDOW TYPES 1A & 1C

H.15 | 3/8" = 1'-0"

SEE DETAILS ON SHEET H.25

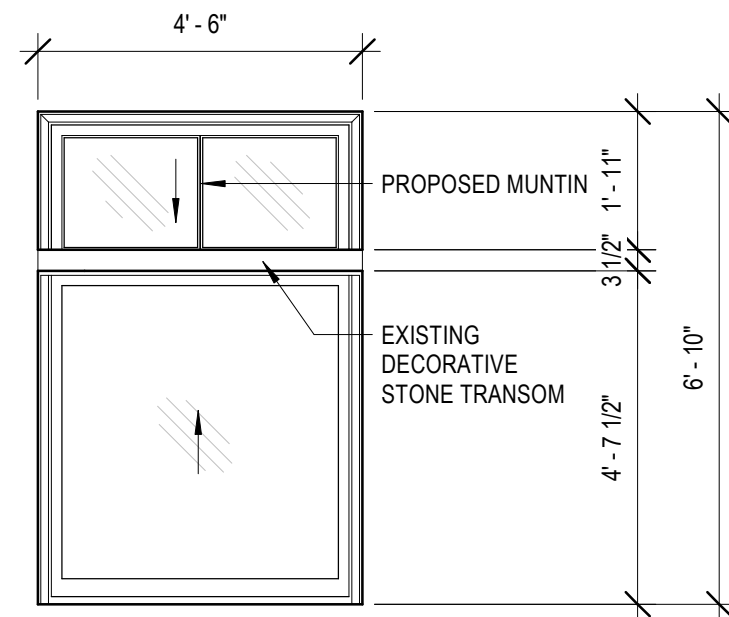


EXISTING WINDOW 1B - EAST
VINYL DOUBLE-HUNG

EXISTING WINDOW 1B - WEST
WOOD DOUBLE-HUNG



EXISTING WINDOW 1B - EAST
VINYL DOUBLE-HUNG



PROPOSED WINDOW:
MARVIN CLAD ULTIMATE
DBL-HUNG G2

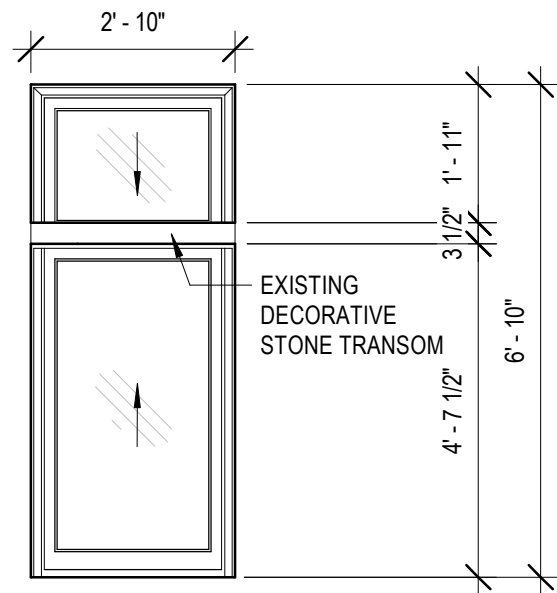


EXISTING WINDOW 1B - WEST
WOOD DOUBLE-HUNG

1 WINDOW TYPE 1B

H.16 | 3/8" = 1'-0"

SEE DETAILS ON SHEET H.25



WINDOW 1D - EAST
VINYL DOUBLE-HUNG



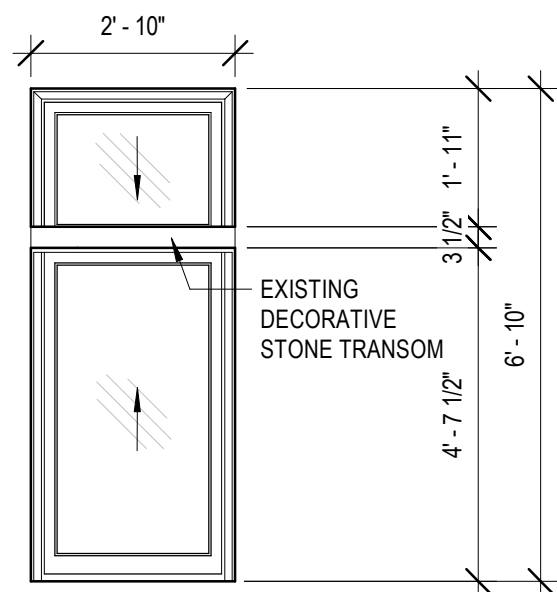
EXISTING WINDOW 1D - WEST
WOOD DOUBLE-HUNG



EXISTING WINDOW 1F - EAST
VINYL DOUBLE-HUNG



EXISTING WINDOW 1F - WEST
WOOD DOUBLE-HUNG



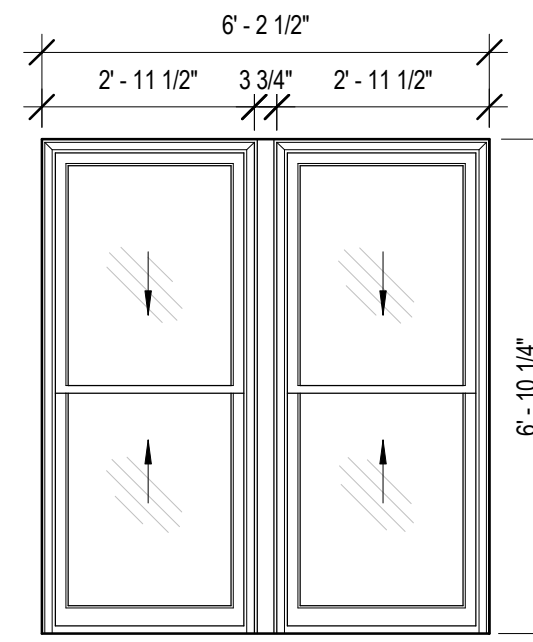
WINDOW 1E - EAST
VINYL DOUBLE-HUNG



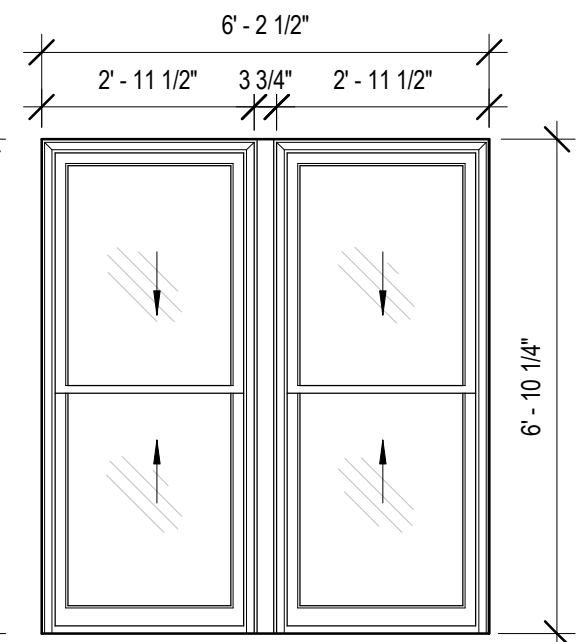
WINDOW 1E - WEST
WOOD DOUBLE-HUNG



WINDOW 1E - WEST INTERIOR
WOOD DOUBLE-HUNG



EXISTING WINDOW 1F:
EAST: VINYL DOUBLE-HUNG
WEST: WOOD DOUBLE-HUNG



PROPOSED WINDOW:
MARVIN CLAD ULTIMATE
DBL-HUNG G2

1 WINDOW TYPES 1D & 1E

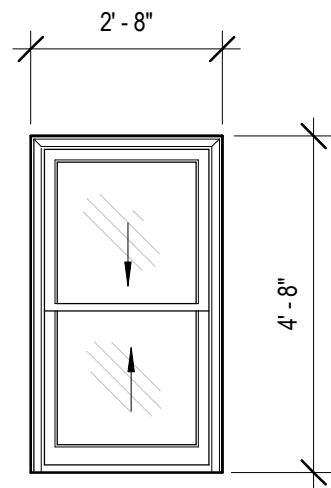
H.17 | 3/8" = 1'-0"

SEE DETAILS ON SHEET H.25

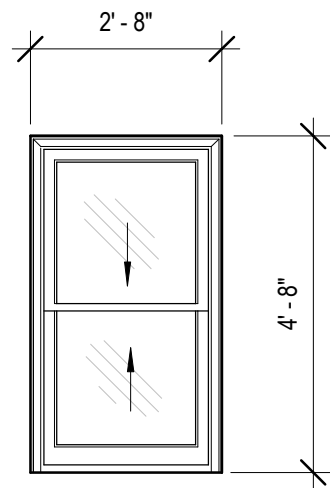
2 WINDOW TYPE 1F

H.17 | 3/8" = 1'-0"

SEE DETAILS ON SHEET H.26 & H.29



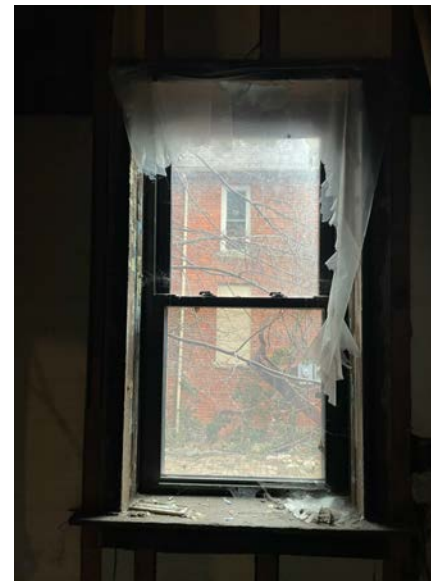
EXISTING WINDOW 1G
EAST: VINYL DOUBLE-HUNG
WEST: WOOD DOUBLE-HUNG



PROPOSED WINDOW:
MARVIN CLAD ULTIMATE
DBL-HUNG G2



WINDOW 1G - EAST
VINYL DOUBLE-HUNG



WINDOW 1G - EAST (INTERIOR)
VINYL DOUBLE-HUNG

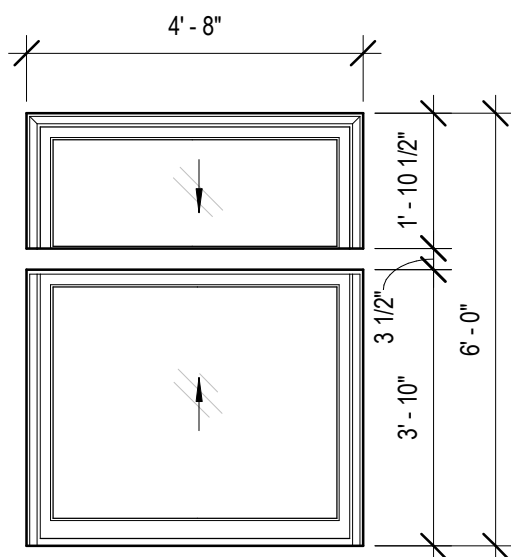


EXISTING WINDOW 1G - WEST
WOOD DOUBLE-HUNG

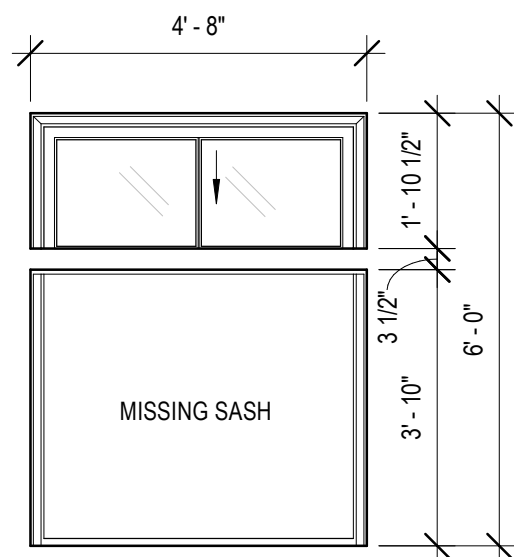
2 WINDOW TYPE 1G

H.18 | 3/8" = 1'-0"

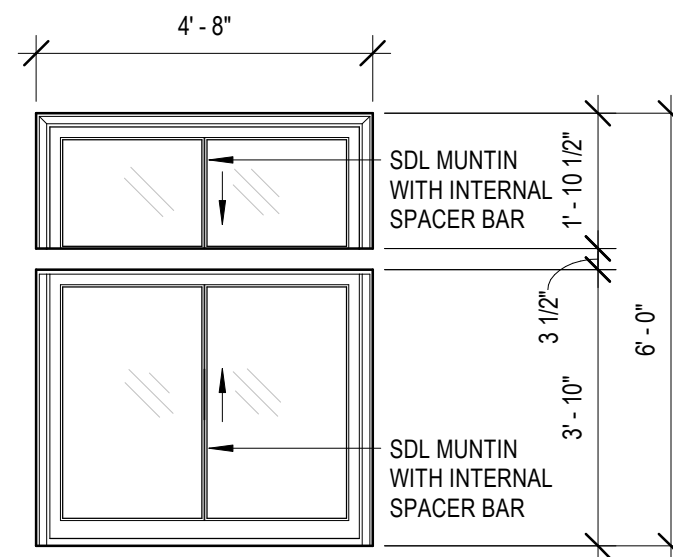
SEE DETAILS ON SHEET H.26



EXISTING WINDOW 2A EAST:
VINYL DOUBLE-HUNG



EXISTING WINDOW 2A WEST:
WOOD DOUBLE-HUNG



PROPOSED WINDOW:
MARVIN CLAD ULTIMATE
DBL-HUNG G2



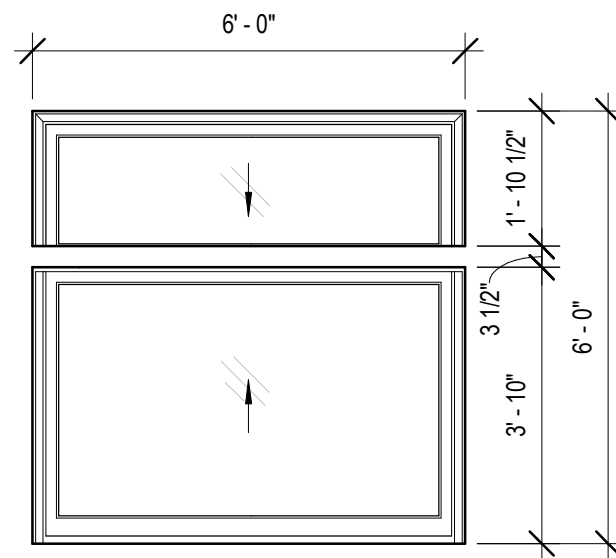
EXISTING WINDOW 2A EAST:
VINYL DOUBLE-HUNG

EXISTING WINDOW 2A WEST:
WOOD DOUBLE-HUNG

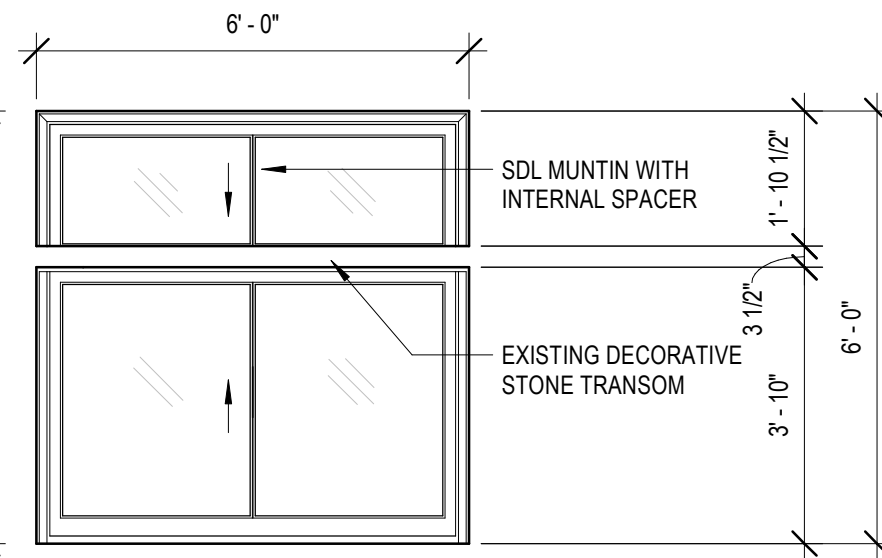
3 WINDOW TYPE 2A

H.18 | 3/8" = 1'-0"

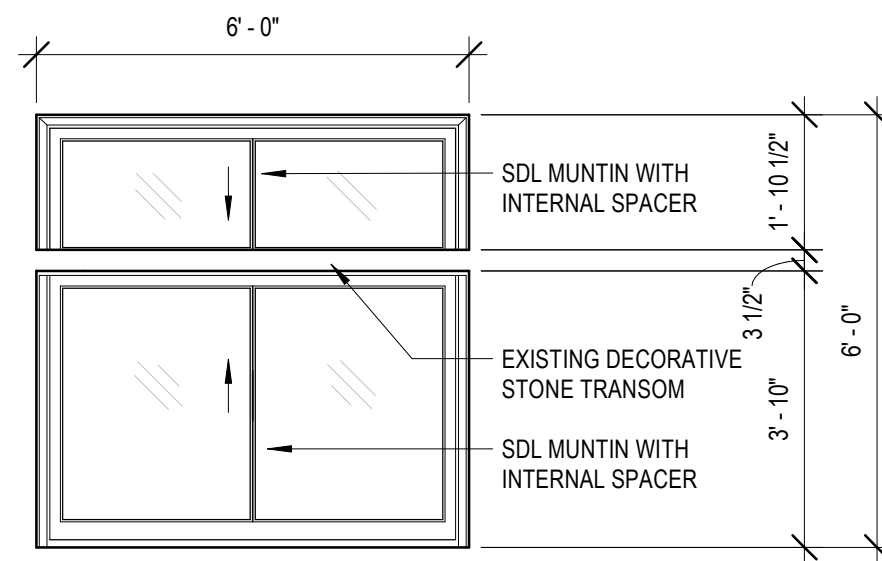
SEE DETAILS ON SHEET H.25



EXISTING WINDOW 2B EAST:
VINYL DOUBLE-HUNG



EXISTING WINDOW 2B WEST:
WOOD DOUBLE-HUNG



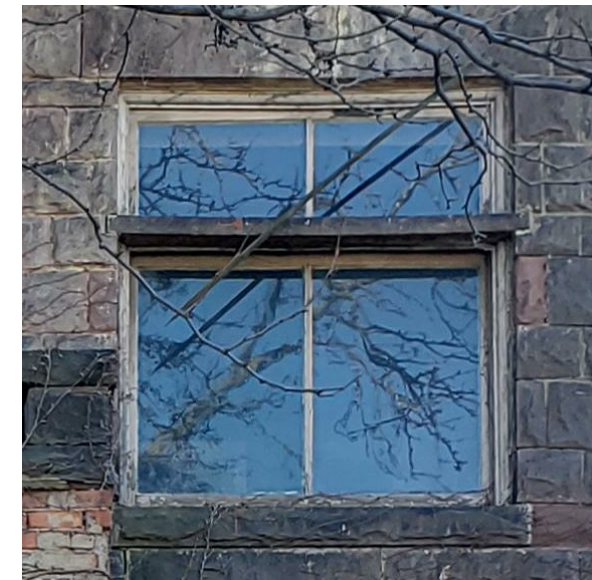
PROPOSED WINDOW:
MARVIN CLAD ULTIMATE DBL-HUNG G2
WITH UPPER & LOWER MUNTIN



WINDOW 2B - EAST
VINYL DOUBLE-HUNG



WINDOW 2B - EAST (INTERIOR)
VINYL DOUBLE-HUNG



WINDOW 2B - WEST
WOOD DOUBLE-HUNG

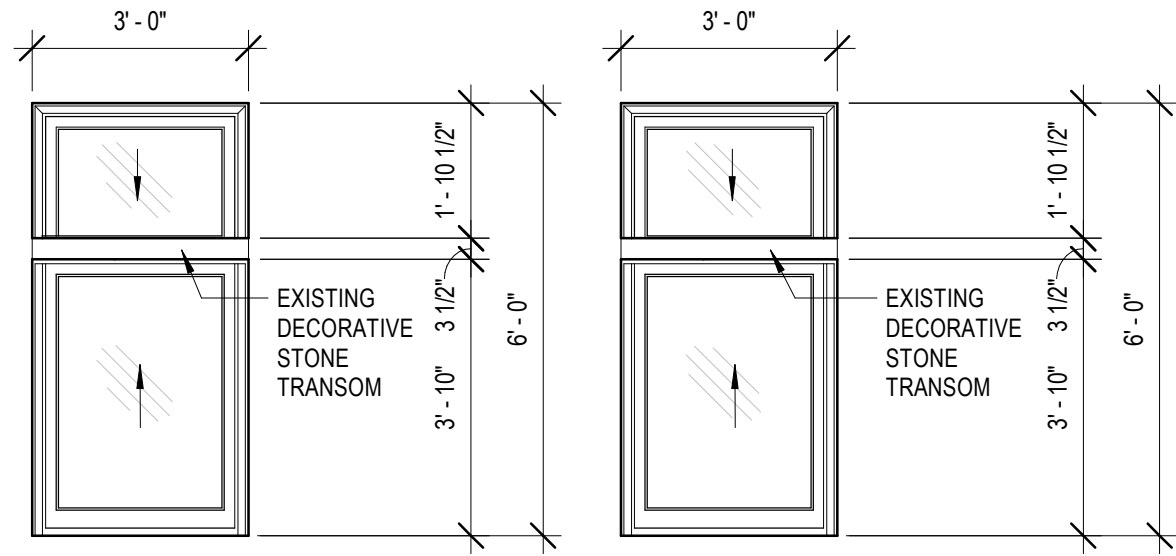


WINDOW 2B - WEST (INTERIOR)
WOOD DOUBLE-HUNG

1 WINDOW TYPE 2B

H.19 | 3/8" = 1'-0"

SEE DETAILS ON SHEET H.25



EXISTING WINDOW 2D & 2E:
 EAST: VINYL DOUBLE-HUNG
 WEST: WOOD DOUBLE-HUNG

PROPOSED WINDOW:
 MARVIN CLAD ULTIMATE DBL-HUNG G2



WINDOW 2D - EAST
 VINYL DOUBLE-HUNG



WINDOW 2E - EAST
 VINYL DOUBLE-HUNG



WINDOW 2D - WEST (INTERIOR)
 WOOD DOUBLE-HUNG

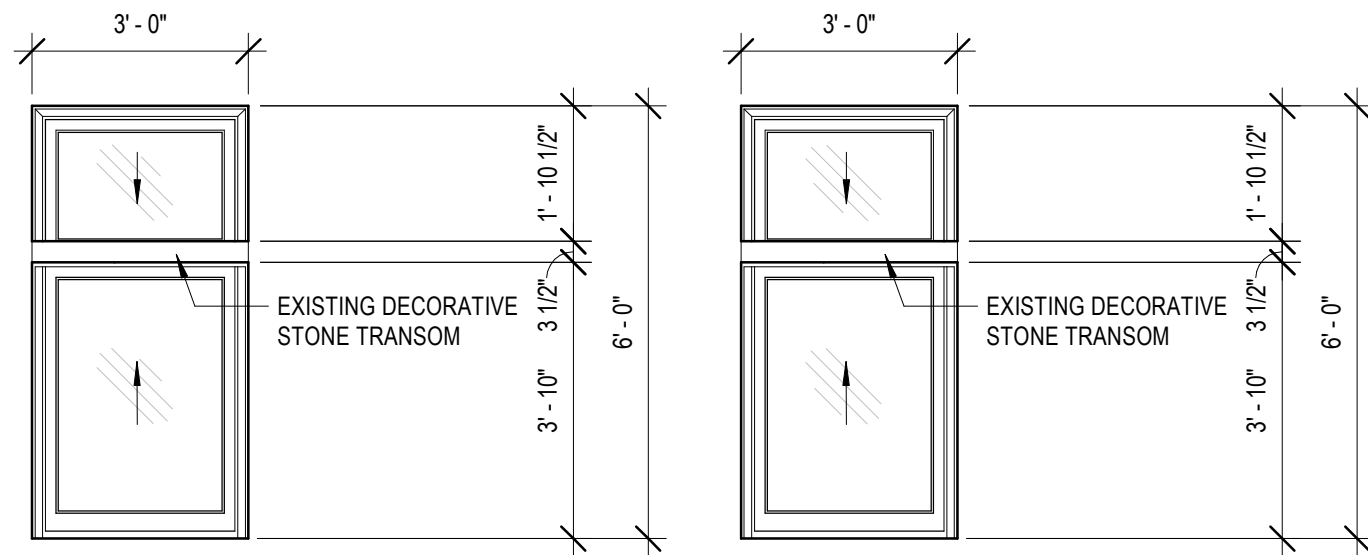


WINDOW 2E - WEST (INTERIOR)
 WOOD DOUBLE-HUNG

2 WINDOW TYPES 2D & 2E

H.20 | 3/8" = 1'-0"

SEE DETAILS ON SHEET H.25



EXISTING WINDOW 2C:
 EAST: VINYL DOUBLE-HUNG
 WEST: WOOD DOUBLE-HUNG

PROPOSED WINDOW:
 MARVIN CLAD ULTIMATE DBL-HUNG G2



WINDOW 2C - EAST (INTERIOR)
 VINYL DOUBLE-HUNG



WINDOW 2C - WEST
 WOOD DOUBLE-HUNG

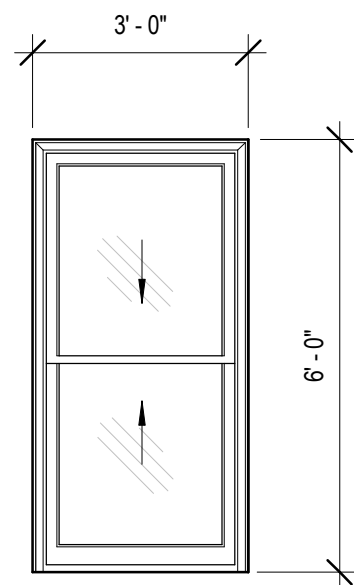


WINDOW 2C - WEST (INTERIOR)
 WOOD DOUBLE-HUNG

1 WINDOW TYPES 2C

H.20 | 3/8" = 1'-0"

SEE DETAILS ON SHEET H.25



PROPOSED WINDOW:
MARVIN CLAD ULTIMATE DBL-HUNG G2

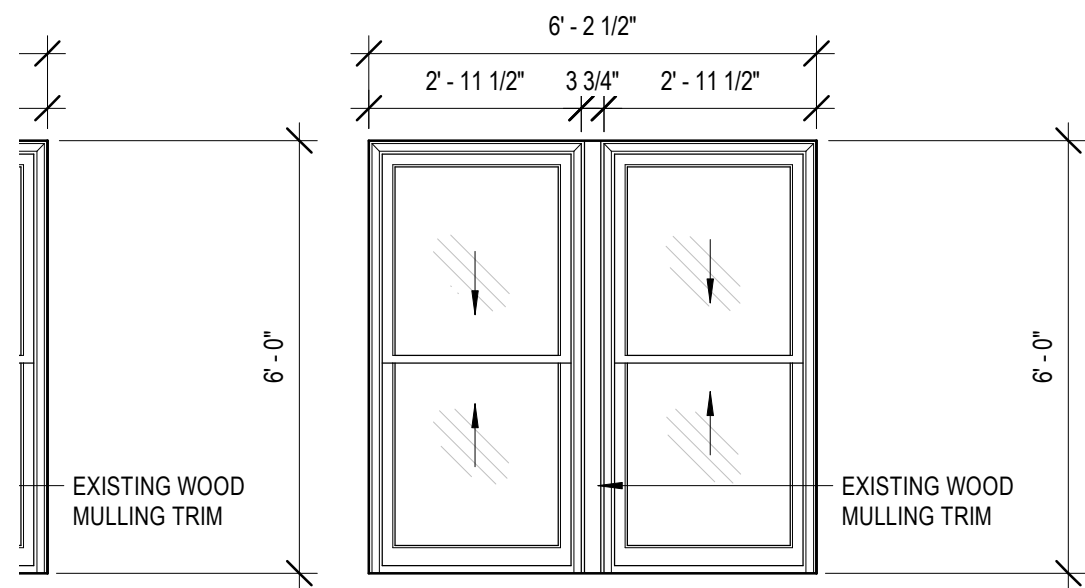
WINDOW 2G - EAST
VINYL DOUBLE-HUNG

WINDOW 2G - EAST (INTERIOR)
VINYL DOUBLE-HUNG

WINDOW 2G - WEST (INTERIOR)
WOOD DOUBLE-HUNG

2G

SEE DETAILS ON SHEETS H.26



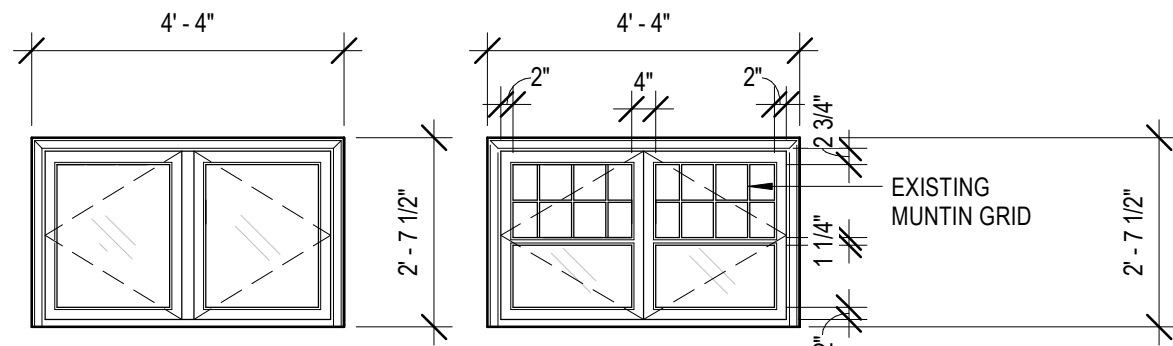
PROPOSED WINDOW:
MARVIN CLAD ULTIMATE DBL-HUNG G2

WINDOW 2F - EAST
VINYL DOUBLE-HUNG

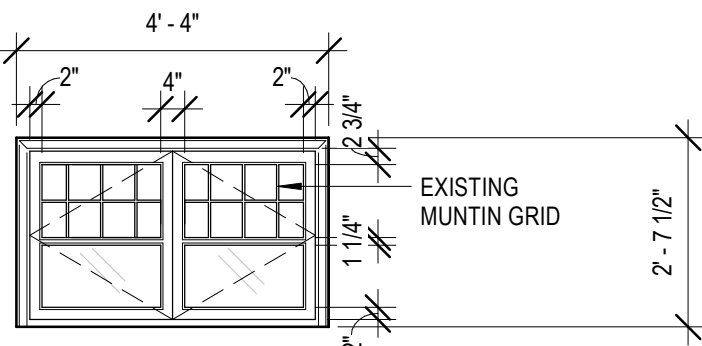
WINDOW 2F - WEST (INTERIOR)
WOOD DOUBLE-HUNG

2F

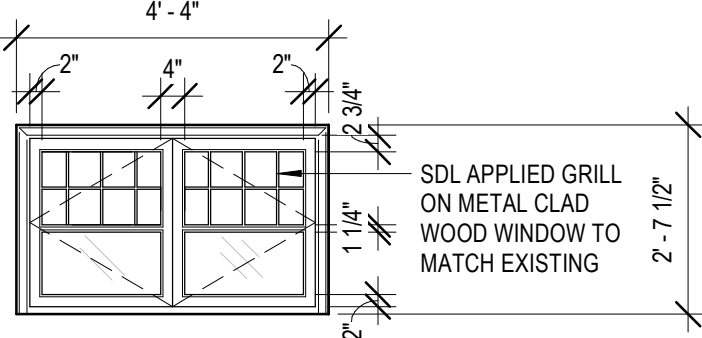
SEE DETAILS ON SHEETS H.26 & H.29



EXISTING WINDOW 3B EAST:
(2) VINYL CASEMENT



EXISTING WINDOW 3B WEST:
WOOD FRENCH INSWING CASEMENT



PROPOSED WINDOW:
MARVIN CLAD ULTIMATE INSWING CASEMENT G2
WITH SDL MUNTIN AND INTERNAL SPACER BAR



WINDOW 3B - EAST (INTERIOR)
(2) OUTSWING VINYL CASEMENT

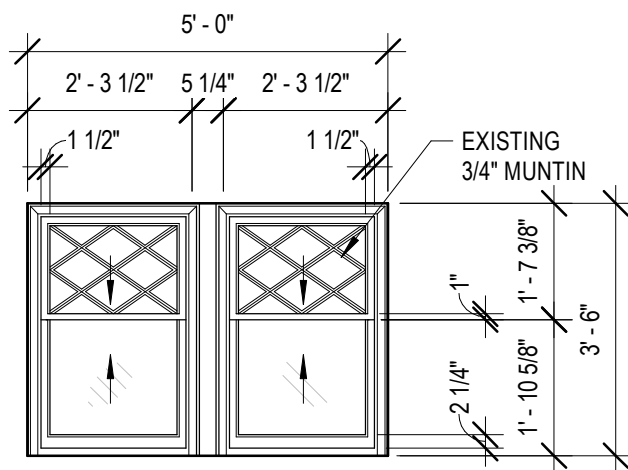


WINDOW 3B - WEST:
WOOD INSWING FRENCH CASEMENT
WITH MUNTIN GRID

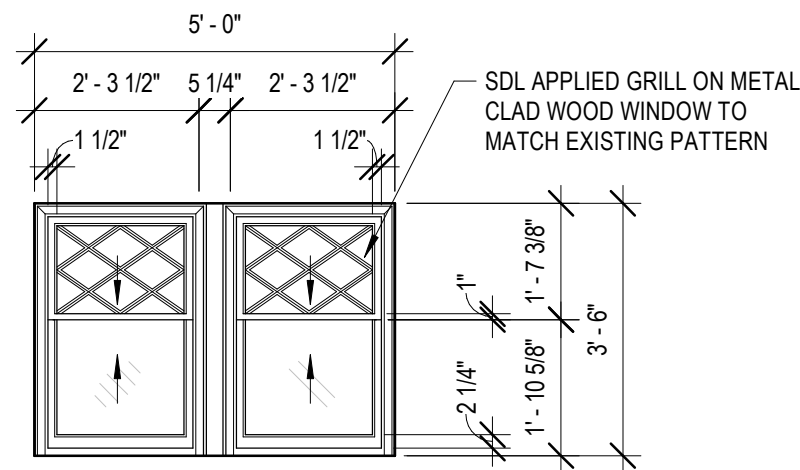
2 WINDOW TYPE 3B

H.22 | 3/8" = 1'-0"

SEE DETAILS ON SHEETS H.27 & H.28



EXISTING WINDOW 2F:
EAST: (2) VINYL CASEMENT
WEST: (2) WOOD DOUBLE-HUNG



PROPOSED WINDOW:
MARVIN CLAD ULTIMATE DBL-HUNG G2
WITH SDL MUNTIN AND INTERNAL SPACER BAR



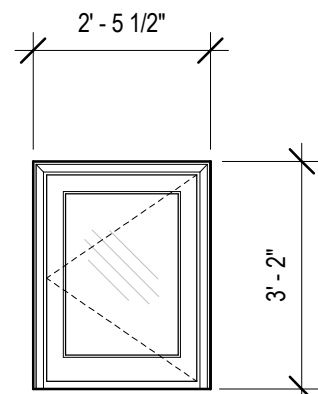
WINDOW 3A - EAST (INTERIOR)
VINYL CASEMENT



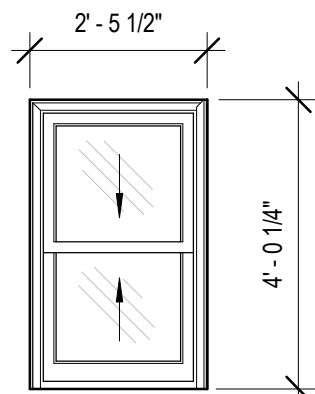
WINDOW 3A - WEST
WOOD DOUBLE-HUNG

1 WINDOW TYPE 3A

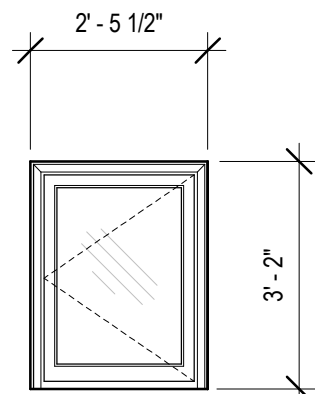
H.22 | 3/8" = 1'-0"



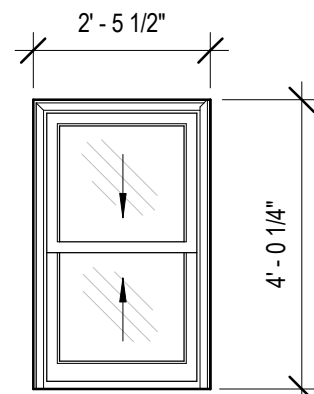
EXISTING WINDOW 3D EAST
VINYL CASEMENT



EXISTING WINDOW 3D WEST
WOOD DOUBLE-HUNG



PROPOSED WINDOW 3D EAST
MARVIN CLAD ULTIMATE
CASEMENT



PROPOSED WINDOW 3D WEST
MARVIN CLAD ULTIMATE
DBL-HUNG G2



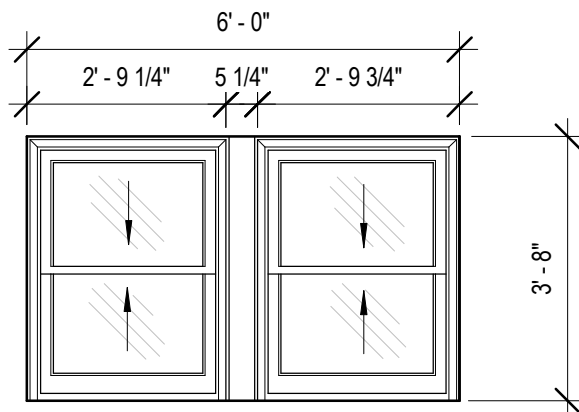
WINDOW 3D - EAST (INTERIOR)
OUTSWING VINYL CASEMENT



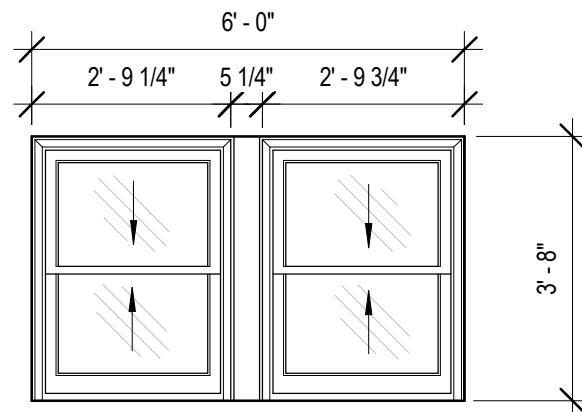
WINDOW 3D - WEST (INTERIOR)
WOOD DOUBLE-HUNG

2 WINDOW TYPE 3D

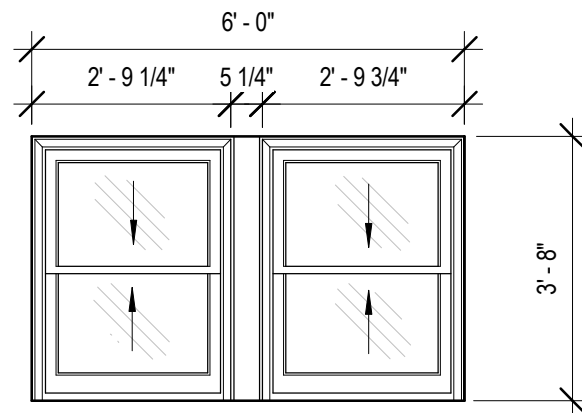
H.23 3/8" = 1'-0"



EXISTING WINDOW 2F:
EAST: VINYL DOUBLE-HUNG
WEST: WOOD DOUBLE-HUNG



EXISTING WINDOW 2F:
EAST: VINYL DOUBLE-HUNG
WEST: WOOD DOUBLE-HUNG



PROPOSED WINDOW:
MARVIN CLAD ULTIMATE DBL-HUNG G2



WINDOW 3C - EAST (INTERIOR)
(2) VINYL DOUBLE-HUNG

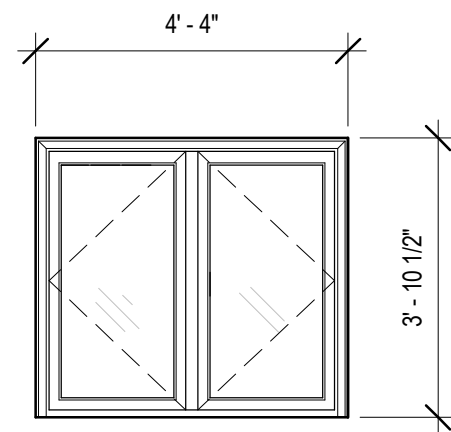


WINDOW 3C - WEST
(2) WOOD DOUBLE-HUNG

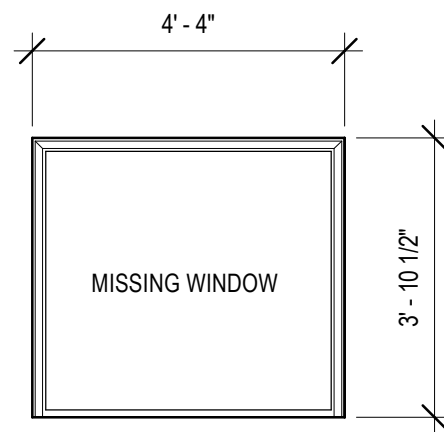
1 WINDOW TYPE 3C

H.23 3/8" = 1'-0"

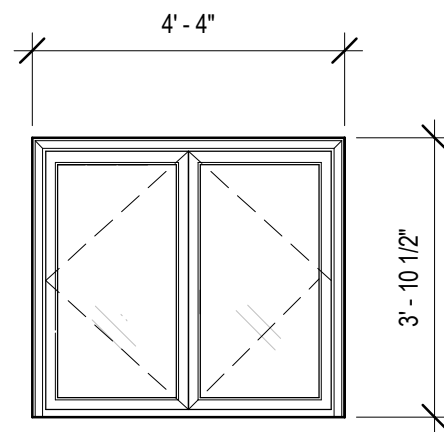
SEE DETAILS ON SHEETS H.26 & H.29



EXISTING WINDOW 3E EAST:
(2) VINYL CASEMENT



EXISTING WINDOW 3B WEST:
MISSING



PROPOSED WINDOW:
MARVIN CLAD ULTIMATE FRENCH INSWING
CASEMENT G2



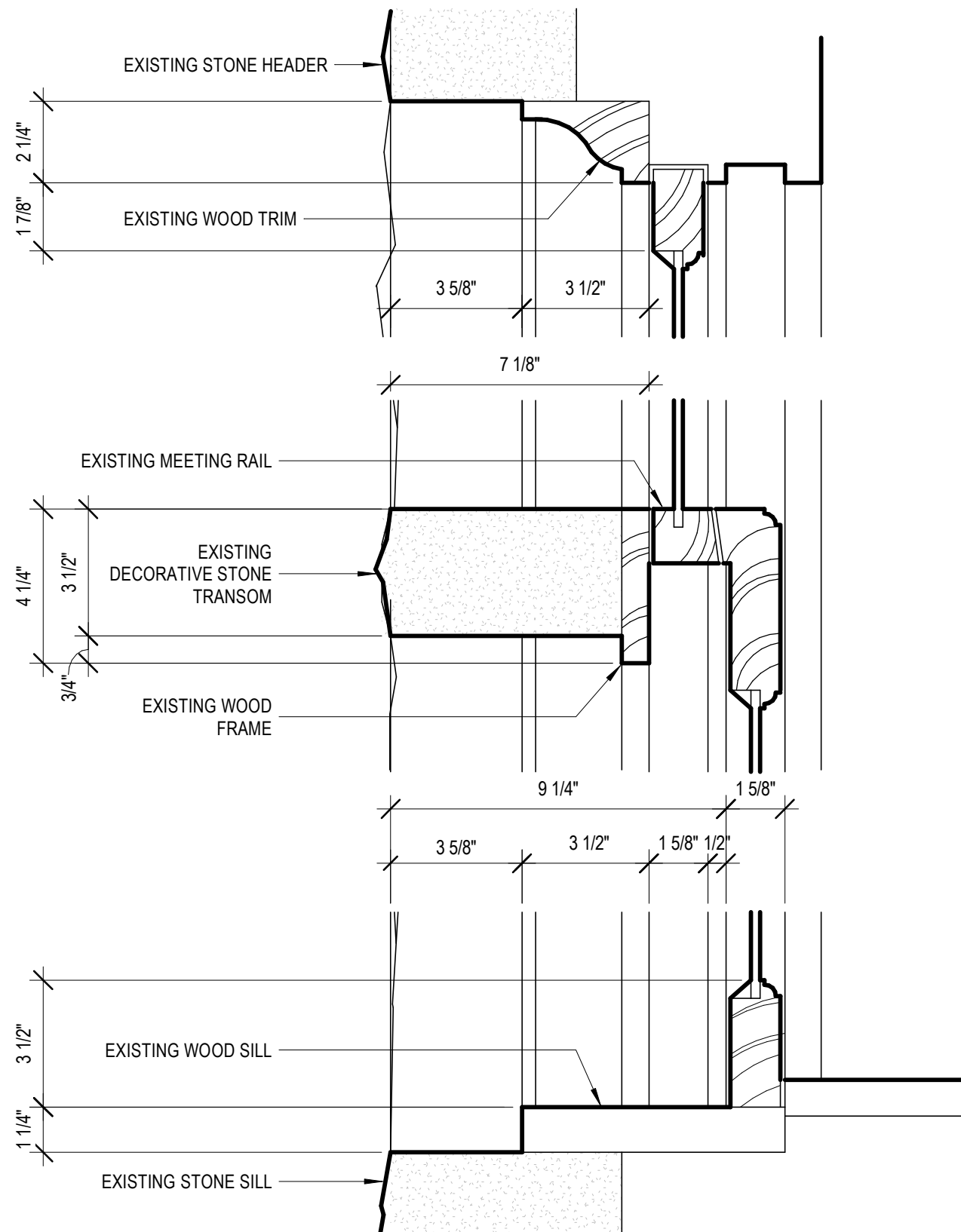
WINDOW 3E - EAST (INTERIOR)
(2) OUTSWING VINYL CASEMENT



WINDOW 3B - WEST (INTERIOR)
MISSING
ASSUMED FRENCH CASEMENT

1 WINDOW TYPE 3E

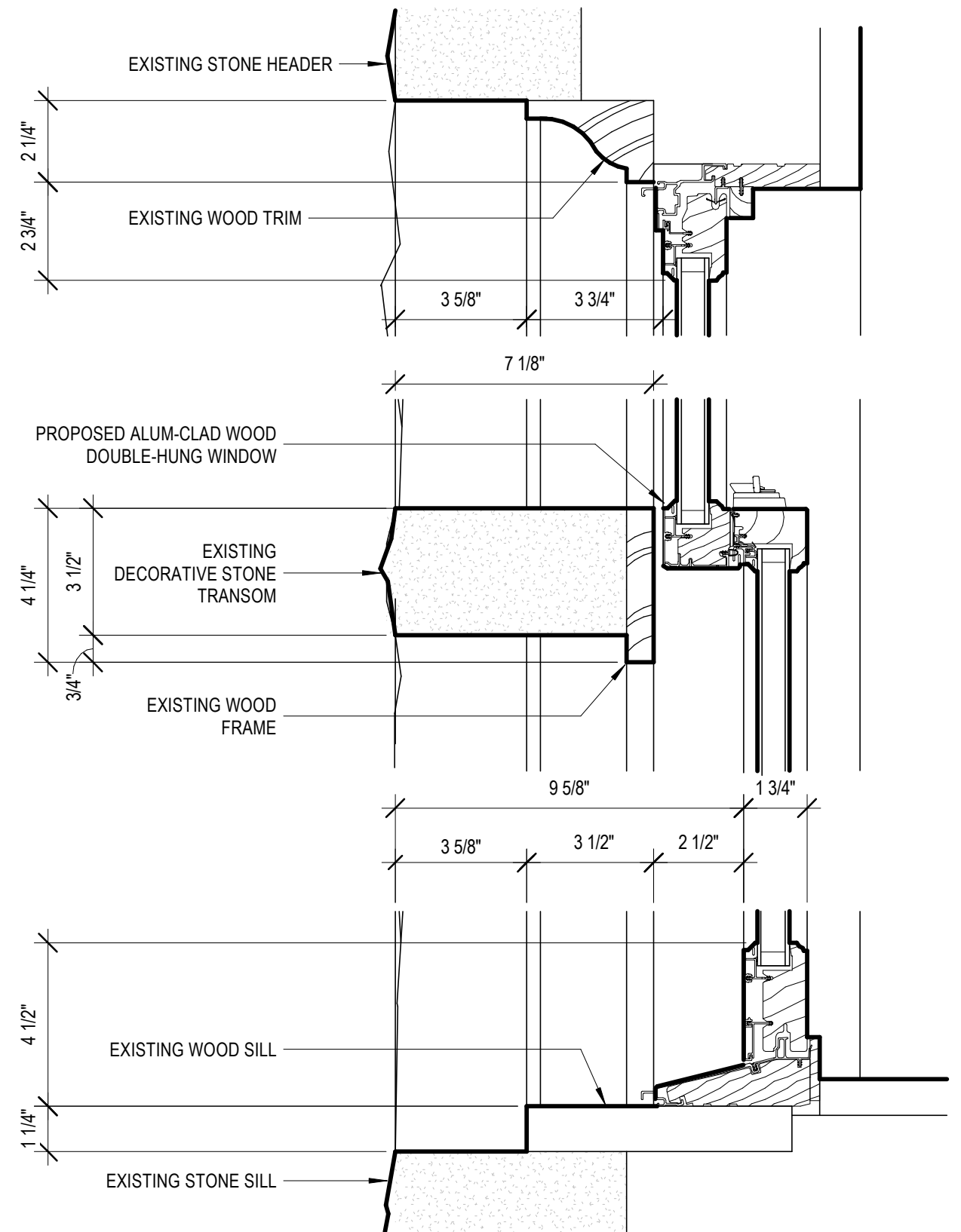
H.24 | 3/8" = 1'-0"



1 EXISTING WINDOW DETAIL - DH WITH TRANSOM

H.25 | 3" = 1'-0"

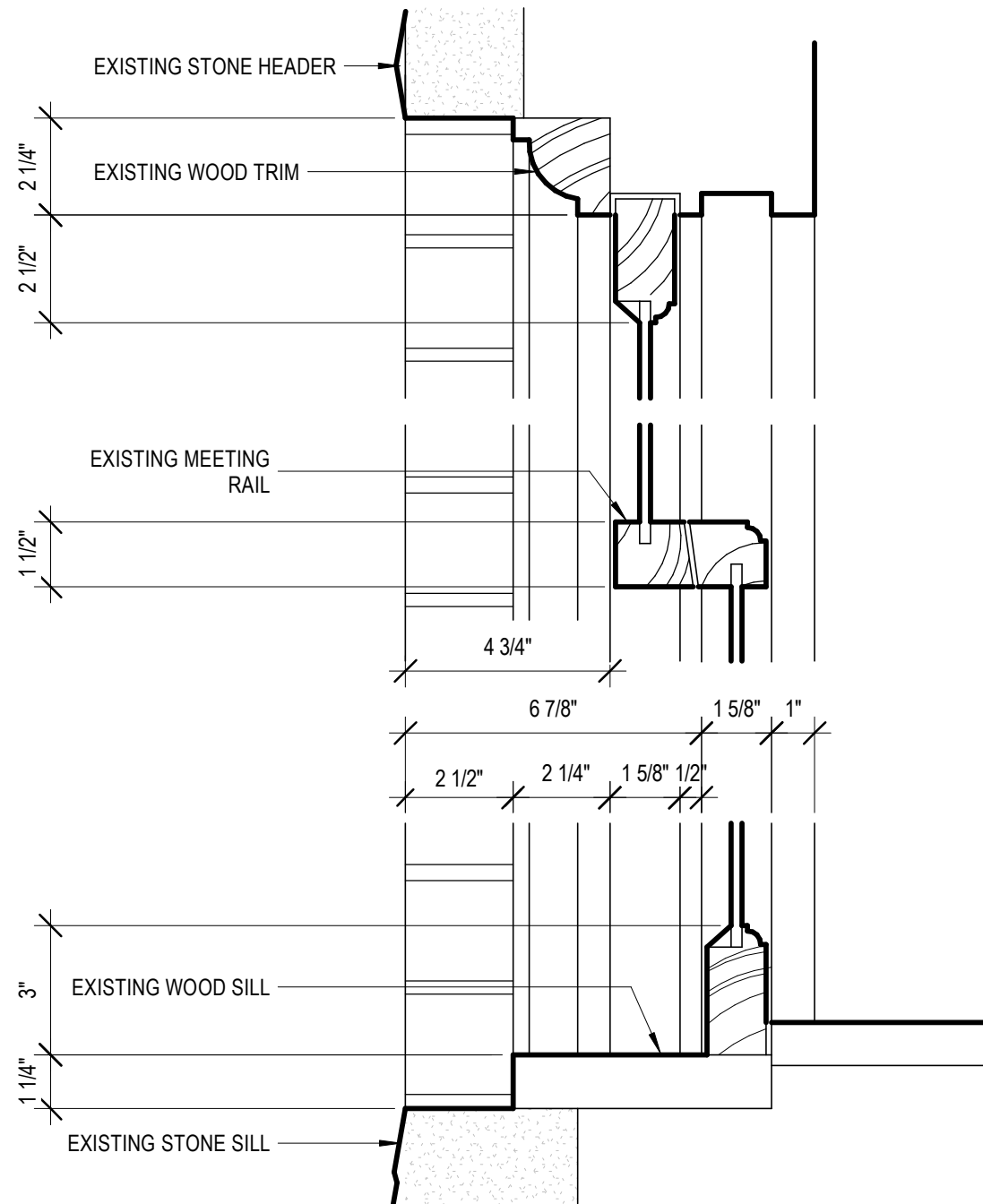
WINDOW TYPES 1A, 1B, 1C, 1D & 1E



2 PROPOSED WINDOW DETAIL - DH WITH TRANSOM

H.25 | 3" = 1'-0"

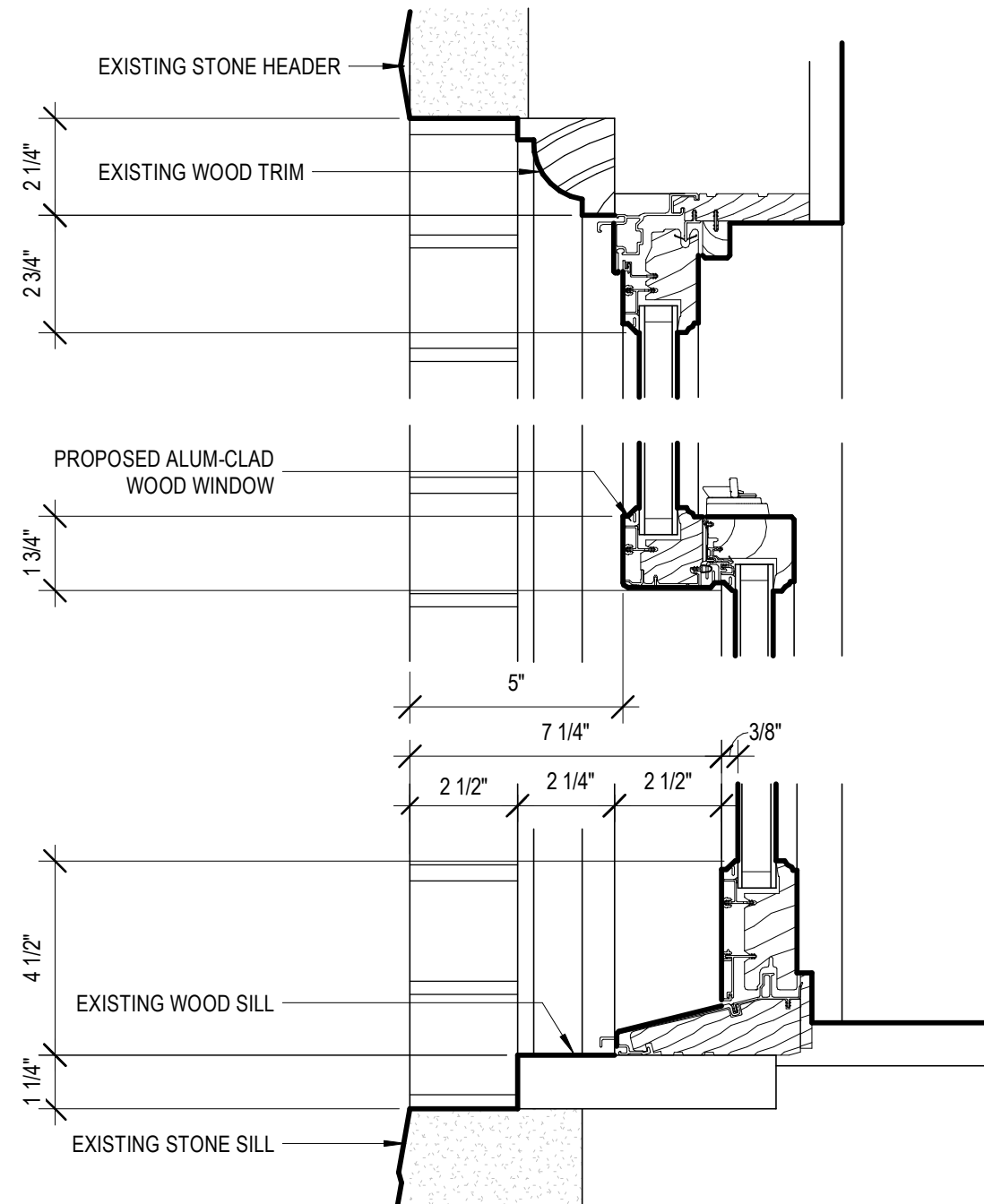
WINDOW TYPES 1A, 1B, 1C, 1D & 1E



1 EXISTING WINDOW DETAIL - DOUBLE-HUNG

H.26 | 3" = 1'-0"

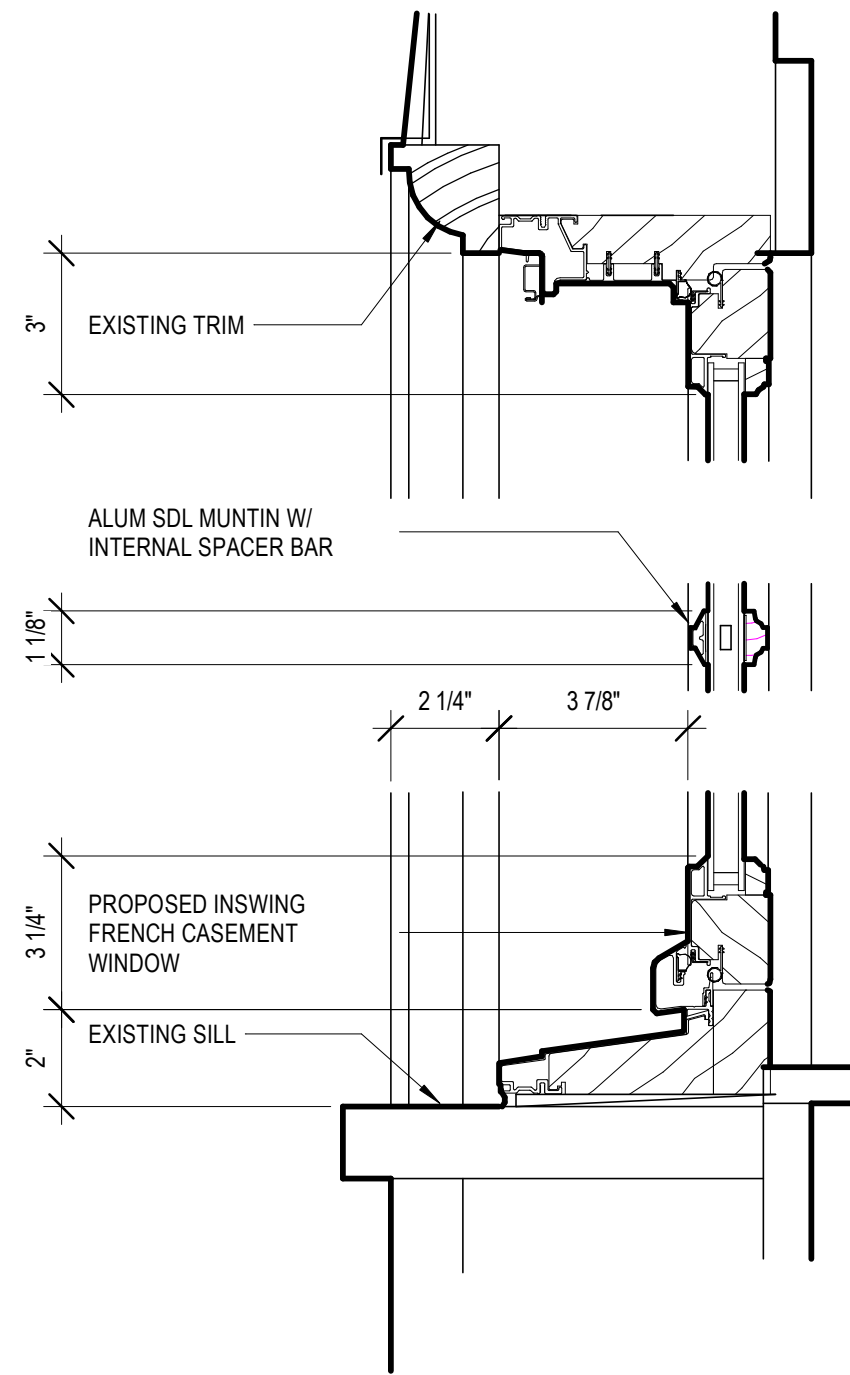
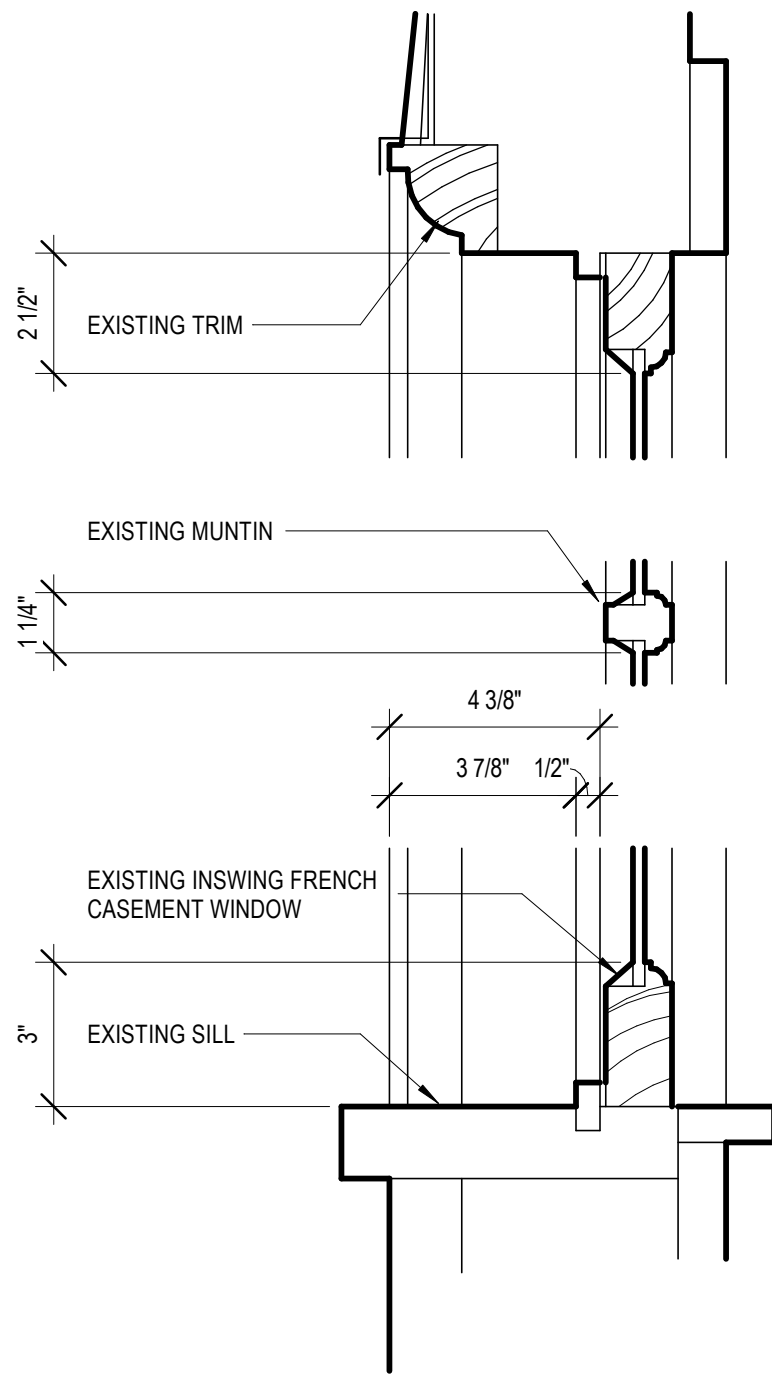
WINDOW TYPES 1A, 1B, 1C, 1D & 1E



2 PROPOSED WINDOW DETAIL - DOUBLE HUNG

H.26 | 3" = 1'-0"

WINDOW TYPES 1A, 1B, 1C, 1D & 1E



1 EXISTING WINDOW DETAIL - FRENCH CASEMENT

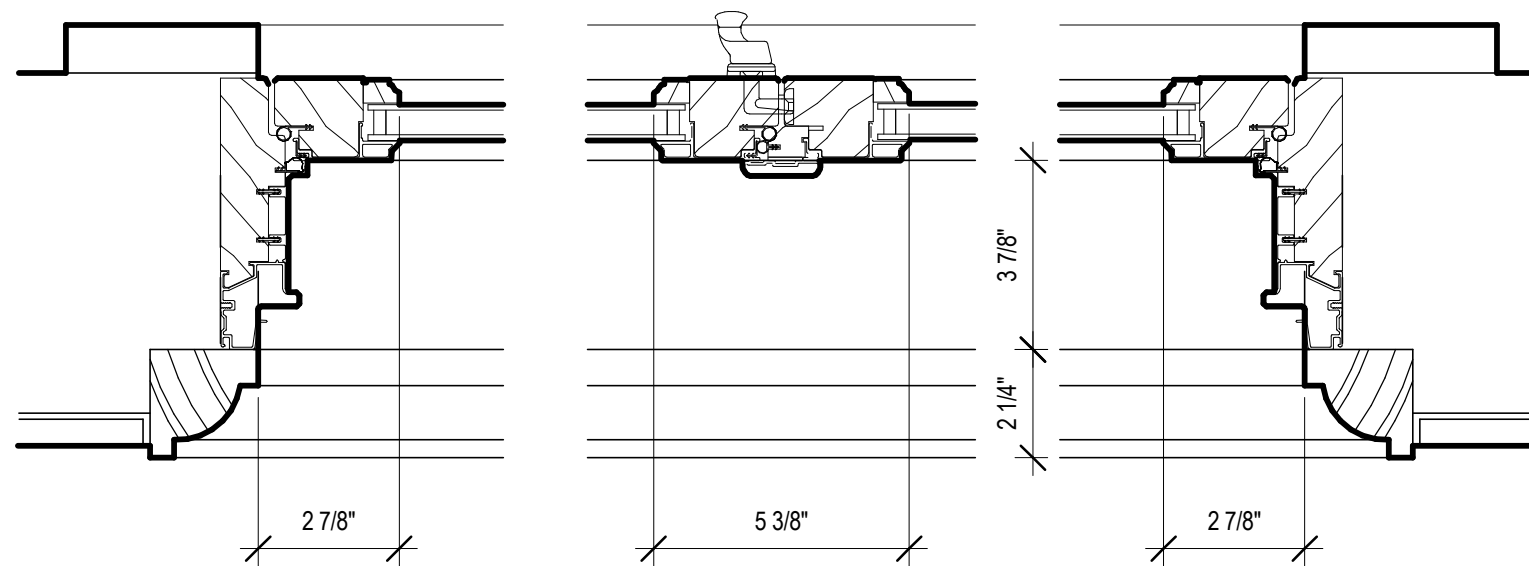
H.27 | 3" = 1'-0"

WINDOW TYPE 3B

2 PROPOSED WINDOW DETAIL - FRENCH CASEMENT

H.27 | 3" = 1'-0"

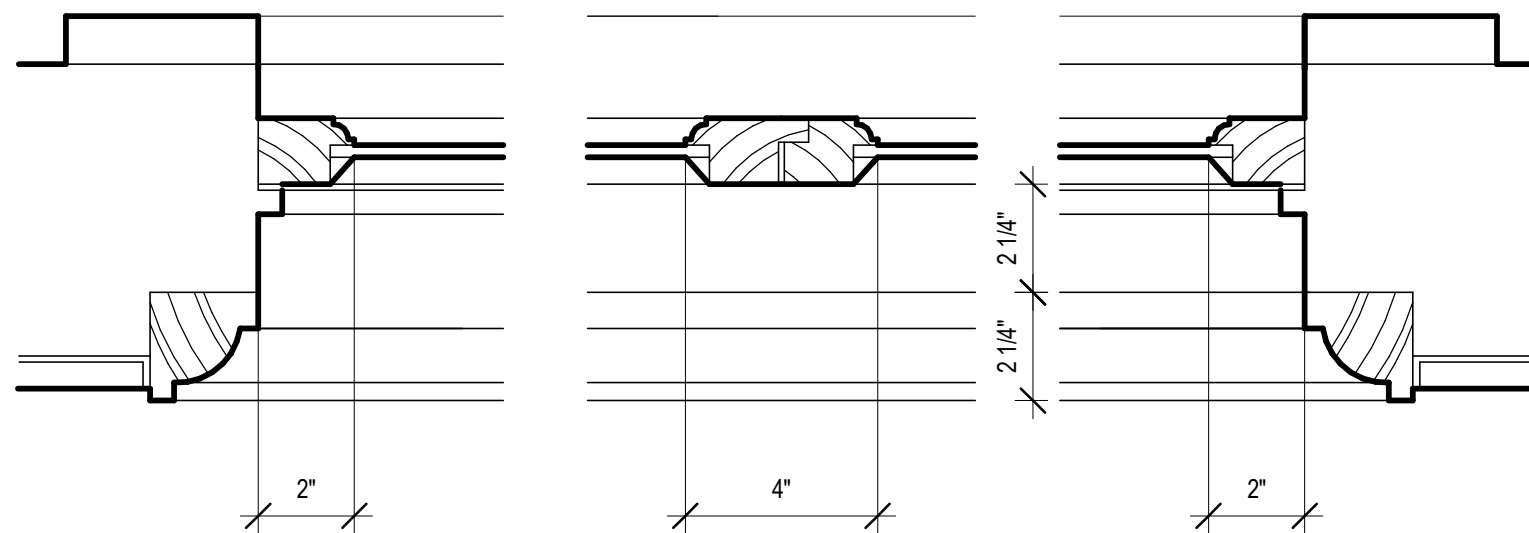
WINDOW TYPE 3B



2 PROPOSED WINDOW JAMB DETAIL AT FRENCH CASEMENT

H.28 | 3" = 1'-0"

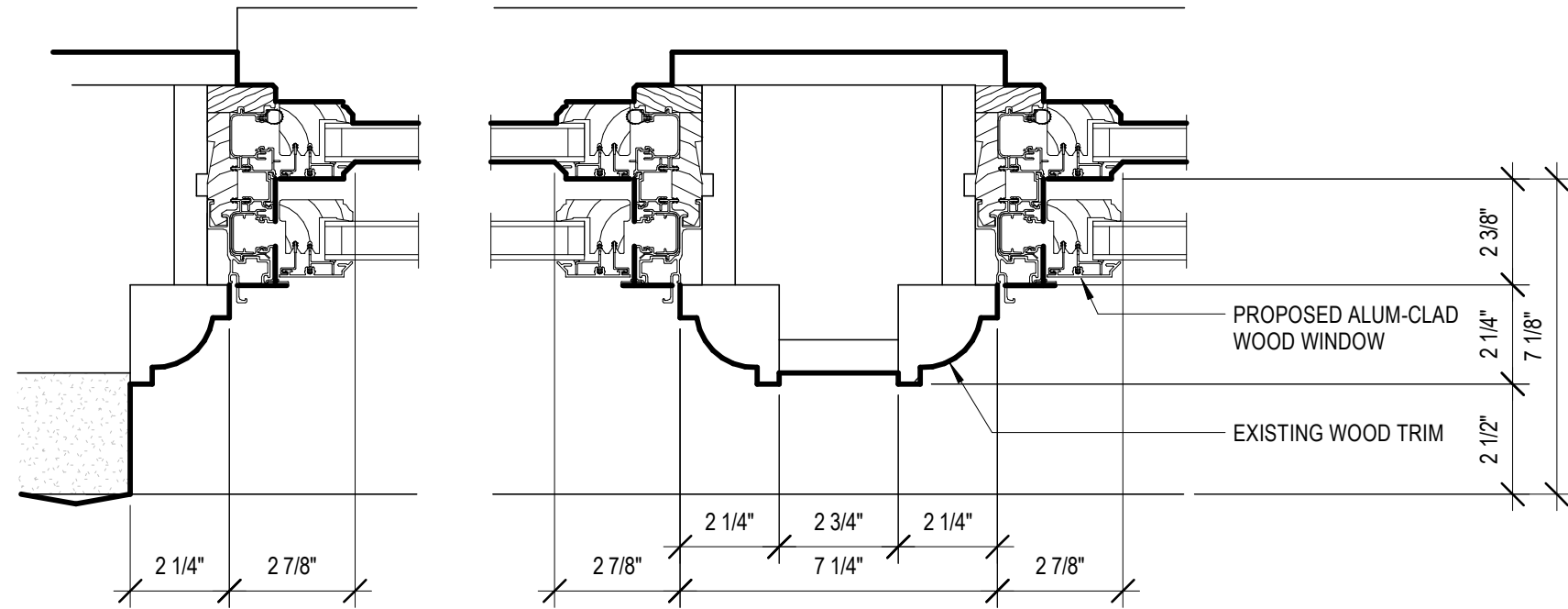
WINDOW TYPE 3B



1 EXISTING WINDOW JAMB DETAIL AT FRENCH CASEMENT

H.28 | 3" = 1'-0"

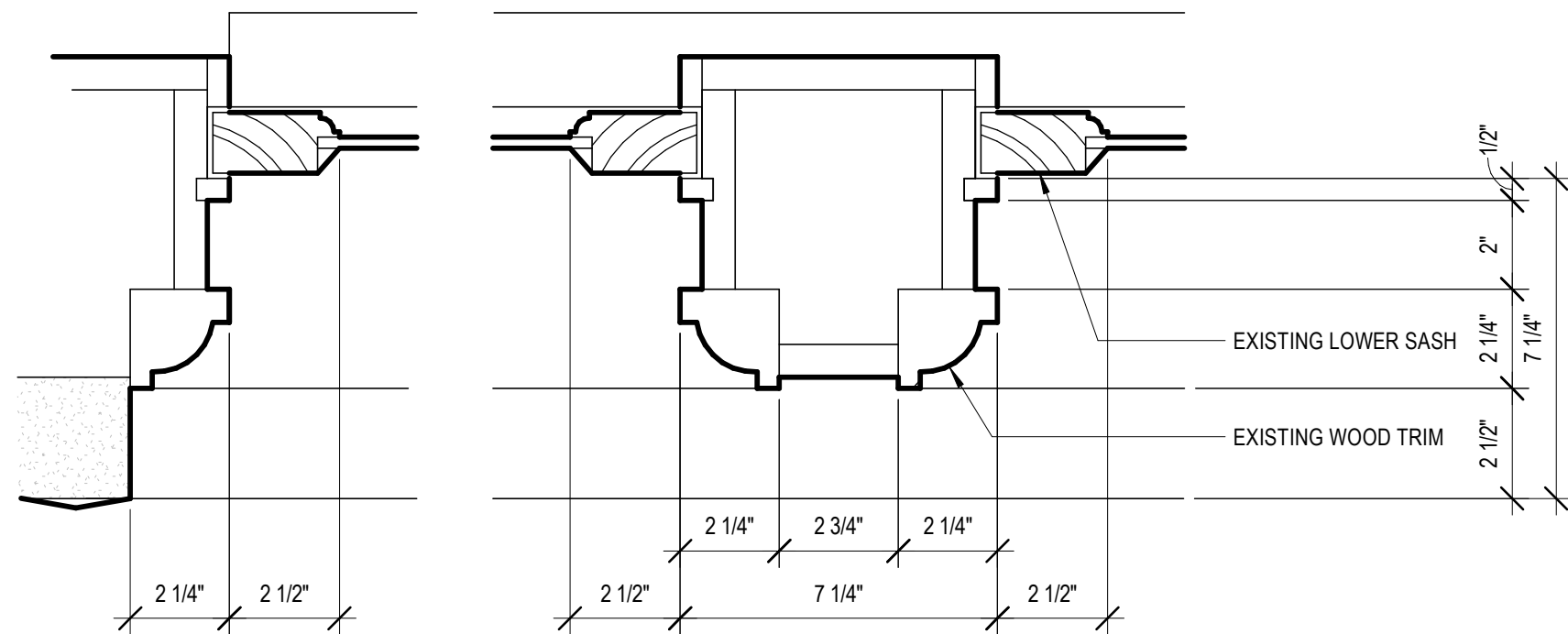
WINDOW TYPE 3B



2 PROPOSED JAMB DETAIL - DOUBLE-HUNG

H.29 | 3" = 1'-0"

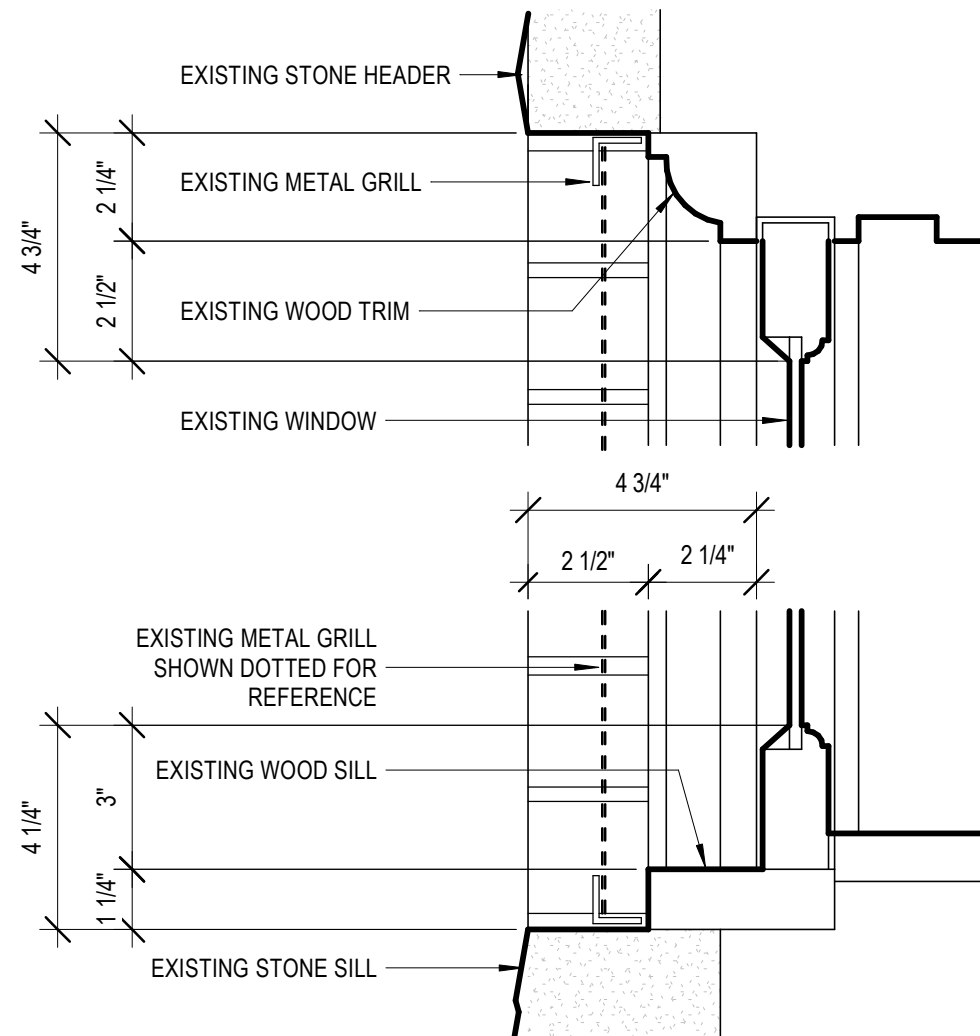
WINDOW TYPES 1F, 2F & 3A



1 EXISTING JAMB DETAIL - DOUBLE-HUNG

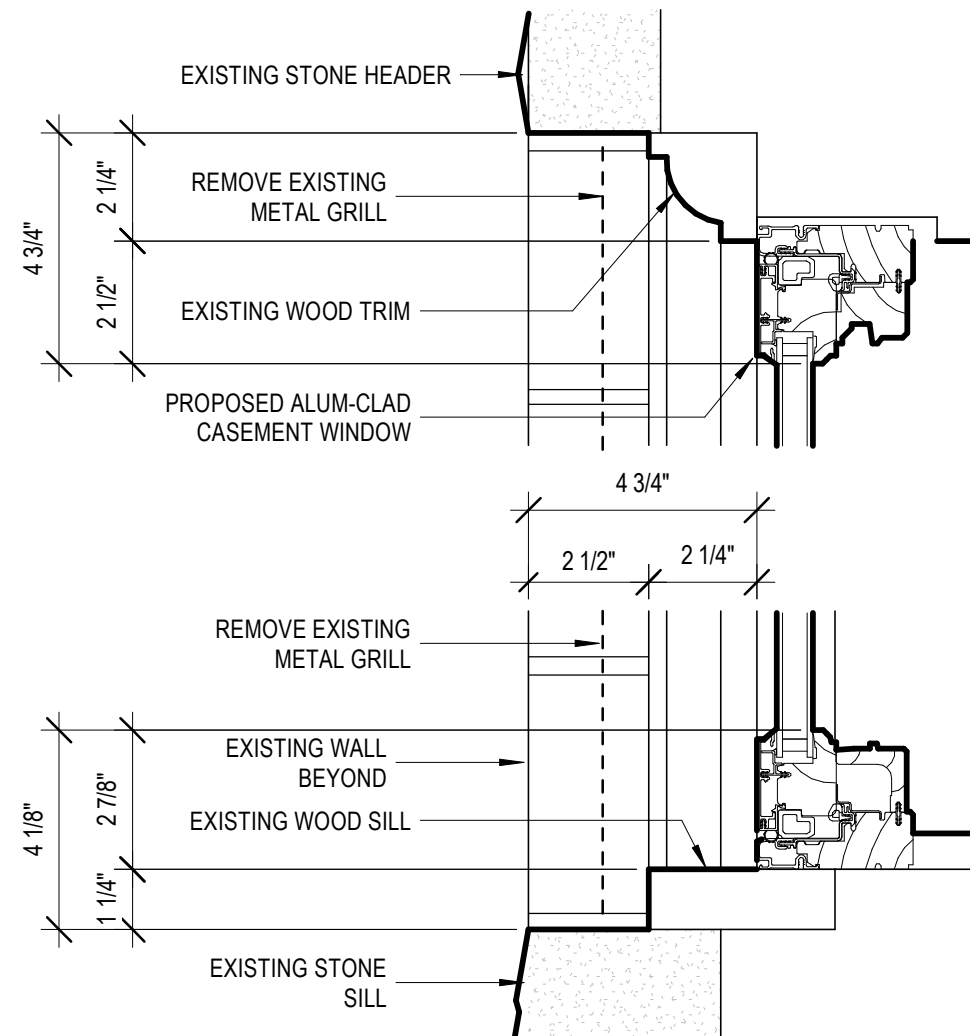
H.29 | 3" = 1'-0"

WINDOW TYPES 1F, 2F & 3A



1 EXISTING BASEMENT WINDOW DETAIL

H.30 | 3" = 1'-0"



2 PROPOSED BASEMENT WINDOW DETAIL

H.30 | 3" = 1'-0"

Unit Features

Weather Strip:

- Operating units:
 - Jambs: Foam-filled bulb
 - Color: beige, black, and white
 - Head Jamb: Continuous dual leaf
 - Color: beige, black, and white
 - Check rail: Hollow bulb
 - Color: beige, black, and white
 - Bottom rail: Hollow bulb
 - Color: black
- Stationary units:
 - Jambs: Foam (picture), foam-filled bulb (transom)
 - Color: beige, black, white
 - Header and bottom rail: Hollow bulb
 - Color: black

Insect Screens:

- Standard screen frame is roll formed aluminum
- Aluminum screen: Full screen standard, half screen optional
- Aluminum surround to match exterior frame clad color
- Units with a glass height of 20" (508) or greater will have a center cross bar
- Screen mesh:
 - Standard: Charcoal Fiberglass
 - Optional: Charcoal High Transparency Fiberglass Mesh, Charcoal Aluminum Wire, Black Aluminum Wire, Bright Aluminum Wire, or Bright Bronze Aluminum Wire
- Optional Double Hung Magnum screen, extruded aluminum

Retractable Screen:

- Screen and its associated hardware shall fit within the frame, minimal exposure and shall not interfere with common window dressings
- Pull bar will protrude beyond the interior plane of the window
- Standard screen mesh: stiffened high transparency mesh
- Not available with Lift Lock option
- Optional pull bar latch hardware shall be available in beige, white, or black
 - Standard for Bare/Non Finger-Jointed Pine shall be beige
 - Standard for Prime and Painted Interior Finish shall be white
 - Standard for Mahogany and Cherry wood species shall be black
 - Standard for stained finish of Wheat or Honey shall be beige
 - Standard for stained finish of Hazelnut, Leather, Espresso, Cabernet shall be black
 - Pull bar fin is available in beige or black
 - Mesh retention pile is available in white or black
 - The standard is black unless PIF, Prime or Bare is chosen

Lock Status Sensor (Optional):

- Refer to **Lock Status Sensor Installation Instructions** for requirements.
- The Lock Status Sensor detects an open or closed status on Clad Ultimate Insert Double Hung - Next Generation 2.0 units and Clad Ultimate Insert Single Hung - Next Generation 2.0 units. A "locked" status is inferred from the presence of the Auto-Lock feature, which activate the locking mechanism when the operating panel is closed. It allows easy integration with home automation systems through a wired or wireless connection.
 - For wired option, check with local codes on potential contractor requirements for low voltage networking connections.
 - Wireless option available. Requires purchase of secondary transmitter for operation. Marvin will prep for this option.
- Wireless Lock Status Sensor is located within the width and height of the frame.
- Sensor Location
 - Will always be located on the right-hand side of the check rail (from the exterior) for the bottom sash. For the top sash, the sensor will be located in the header parting stop of the frame on the right side (from the exterior).
- For Wired or Wireless, Black or White Magnet Covers only visible on secondary surface. Cover color dependent upon interior finish.
 - White: Prime and White Painted Interior Finish
 - Black: Bare and all other finish options

Unit Features

Ultimate Casement Collection:

- Ultimate Casement (UCA), Ultimate Awning (UAWN), Ultimate Casement Picture (UCAP)
- Ultimate Casement Bows and Bays (UCABB), Ultimate Casement Round Top (UCART)
- Ultimate Push Out Casement (UCAPO), Ultimate Push Out Awning (UAWNPO)
- Ultimate Push Out Casement Picture (UCAPOP), Ultimate Push Out Casement Bows and Bays (UCAPOBB)
- Ultimate French Casement (UCAFR), Ultimate Push Out French Casement (UCAPOFR)
- Ultimate Venting Picture (UCAVP), Ultimate Casement Polygon (UCAPOLY)
- Ultimate Replacement Casement (UCANF), Ultimate Replacement Awning (UAWNNF)
- Ultimate Replacement Casement Picture (UCANFP)
- Ultimate Replacement Push Out Casement (UCANFPO), Ultimate Replacement Push Out Awning (UAWNNFPO)
- Ultimate Replacement Push Out Casement Picture (UCANFPOP)
- Ultimate Replacement Push Out French Casement (UCANFPOFR)
- Ultimate Replacement Casement Round Top (UCANFRT), Ultimate Replacement Casement Polygon (UCANFPOLY)

NOTE: Ultimate French Casement, Ultimate Push Out French Casement, Ultimate Venting Picture, Ultimate Replacement Casement Round Top, Ultimate Replacement Casement Polygon, and Ultimate Replacement Push Out French are not available with CE mark.

Bows and Bays are not available with CE mark from the factory. Bow and Bay kits are available for field mulling.

Frame:

- Frame thickness: 1 3/16" (30)
- Full frame units have a frame base (with pre-drilled installation holes in jambs): is 4 9/16" (116) from backside of nailing fin to interior wood face of frame
- Replacement frame: Units have overall base frame of 3 1/4" (83) jambs
- Frame bevel: Standard is no bevel, optional available are 8 degree bevel and 14 degree bevel

Sash:

- Nominal Sash thickness for full frame:
 - 1 5/8" (41) with 3/4" (19) insulating glass
 - 1 7/8" (48) with 1" (25) insulating glass
- Nominal Sash thickness for replacement frame: 1 5/8" (4) with 3/4" (19) insulating glass
- Stile and Rails 2 1/16" (52) standard
- Optional tall bottom rail 3 9/16" (90) available
- Standard interior wood cope sticking: Ogee
- Optional interior wood cope sticking: Ovolo and Square

Hardware: - See Individual Product Chapters

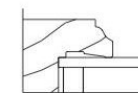
Interior Sticking Options:

- Standard interior sticking: Ogee
- Optional interior sticking: Square

Wood Interior Swinging Insect Screens:

- Wood screen surround: Matches window species.
- Screen mesh: Charcoal High Transparency (CH HI-Tran) fiberglass.
- Ball and Catch latch system used.
- Screen mesh options: Charcoal Fiberglass, Silver Gray Fiberglass, Charcoal Aluminum, Black Aluminum, Bright Aluminum and Bright Bronze.
- Standard Interior Sticking: Ogee
- Optional Interior Sticking: Square

Ogee



Square

