



DSI Columns®

COMPOSITE
& FIBERGLASS

Beautiful. Durable. Structural



MADE
IN THE
USA 

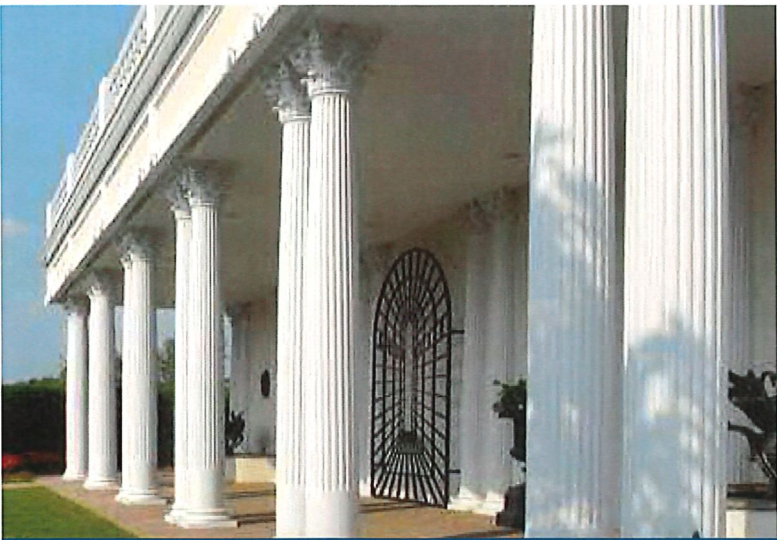


Since 1984, Digger Specialties, Inc. (DSI) has manufactured the highest quality building materials in the industry.

DSI is constantly improving and innovating to bring better products to the marketplace, including Composite and Fiberglass Columns.

Composite and Fiberglass Columns are available in three different finishes to meet your installation and design needs. The Standard, ready to paint column, comes in a mill finish ready for finishing and painting. The Caulk-N-Walk column is ready to install just caulk and walk away. The Pre-Finished Column provides both beauty and durability. Our innovative state of the art coating process provides a ready to install column, including coated capital and base, which eliminates the need for onsite prep and painting.

All Composite and Fiberglass Column products feature heavy duty packaging to resist transit and jobsite damage and are backed by a Lifetime Limited Warranty. DSI offers the first Pre-Finished Architectural Coated Column Warranty in the industry.



COMPOSITE

ROUND

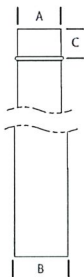
COLUMNS



Tuscan Columns

are one of the most recognizable architectural elements in the world. From the historical cities of Europe to the cities and towns of the United States, these columns and their elegant style are celebrated by architects the world over.

Round Columns are available in smooth tapered and non-tapered and fluted tapered.



- A** Top Outside Diameter
- B** Bottom Outside Diameter
- C** Neck Ring Height

ROUND SMOOTH TAPERED

Column Size	Outside Diameter Top (A)	Inside Diameter Top	Outside Diameter Bottom (B)	Inside Diameter Bottom	Taper from Bottom	Material Thickness	Neck Ring Height (C)
6" x 8'	5 1/8"	4 3/8"	6"	5 1/4"	45"	3/8"	4"
8" x 5'	6 1/8"	5 3/8"	7 5/8"	6 7/8"	15"	3/8"	5"
8" x 6'	6 1/8"	5 3/8"	7 5/8"	6 7/8"	27"	3/8"	5"
8" x 8'	6 1/8"	5 3/8"	7 5/8"	6 7/8"	31"	3/8"	5"
8" x 9'	6 1/8"	5 3/8"	7 5/8"	6 7/8"	26"	3/8"	5"
8" x 10'	6 1/8"	5 3/8"	7 5/8"	6 7/8"	38"	3/8"	5"
10" x 6'	8"	7 1/4"	9 5/8"	8 7/8"	6"	3/8"	5 7/8"
10" x 8'	8"	7 1/4"	9 5/8"	8 7/8"	30"	3/8"	5 7/8"
10" x 9'	8"	7 1/4"	9 5/8"	8 7/8"	24"	3/8"	5 7/8"
10" x 10'	8"	7 1/4"	9 5/8"	8 7/8"	36"	3/8"	5 7/8"
10" x 12'	8"	7 1/4"	9 5/8"	8 7/8"	62"	3/8"	5 7/8"
12" x 6'	9 3/8"	8 5/8"	11 1/2"	10 3/4"	8"	3/8"	7 3/4"
12" x 8'	9 3/8"	8 5/8"	11 1/2"	10 3/4"	32"	3/8"	7 3/4"
12" x 9'	9 1/2"	8 3/4"	11 1/2"	10 3/4"	29"	3/8"	7 3/4"
12" x 10'	9 1/2"	8 3/4"	11 1/2"	10 3/4"	41"	3/8"	7 3/4"
12" x 12'	9 5/8"	8 7/8"	11 5/8"	10 7/8"	40"	3/8"	7 3/4"
12" x 14'	9 5/8"	8 7/8"	11 5/8"	10 7/8"	48"	3/8"	7 3/4"
12" x 16'	9 5/8"	8 7/8"	11 5/8"	10 7/8"	72"	3/8"	7 3/4"
14" x 8'	12"	11 1/4"	13 7/8"	13 1/8"	22"	3/8"	8 1/8"
14" x 9'	12"	11 1/4"	13 7/8"	13 1/8"	34"	3/8"	8 1/8"
14" x 10'	12"	11 1/4"	13 7/8"	13 1/8"	46"	3/8"	8 1/8"
14" x 12'	12"	11 1/4"	14"	13 1/4"	26"	3/8"	8 1/8"
14" x 14'	12"	11 1/4"	14"	13 1/4"	50"	3/8"	8 1/8"
14" x 16'	12"	11 1/4"	14"	13 1/4"	74"	3/8"	8 1/8"
14" x 18'	12"	11 1/4"	14"	13 1/4"	98"	3/8"	8 1/8"
16" x 8'	13 3/4"	12 3/4"	15 3/4"	14 3/4"	31"	1/2"	8 1/2"
16" x 9'	13 3/4"	12 3/4"	15 3/4"	14 3/4"	43"	1/2"	8 1/2"
16" x 10'	13 3/4"	12 3/4"	15 3/4"	14 3/4"	55"	1/2"	8 1/2"
16" x 12'	13 3/4"	12 3/4"	15 3/4"	14 3/4"	36"	1/2"	9"
16" x 14'	13 3/4"	12 3/4"	15 3/4"	14 3/4"	60"	1/2"	9"
16" x 16'	13 3/4"	12 3/4"	15 3/4"	14 3/4"	84"	1/2"	9"
16" x 18'	13 3/4"	12 3/4"	15 3/4"	14 3/4"	108"	1/2"	9"
18" x 8'	15 3/8"	14 3/8"	17 1/4"	16 1/4"	12"	1/2"	11 5/8"
18" x 9'	15 3/8"	14 3/8"	17 1/4"	16 1/4"	24"	1/2"	11 5/8"
18" x 10'	15 3/8"	14 3/8"	17 1/4"	16 1/4"	36"	1/2"	11 5/8"
18" x 12'	15 3/8"	14 3/8"	17 1/4"	16 1/4"	60"	1/2"	11 5/8"
18" x 14'	15 1/4"	14 3/8"	17 5/8"	16 3/8"	28"	1/2"	11 1/2"
18" x 16'	15 1/4"	14 1/4"	17 5/8"	16 3/8"	60"	1/2"	11 1/2"
18" x 18'	15 1/4"	14 1/4"	17 5/8"	16 3/8"	84"	1/2"	11 1/2"
18" x 20'	15 1/4"	14 1/4"	17 5/8"	16 3/8"	108"	1/2"	11 1/2"
20" x 12'	16 3/8"	15 3/8"	19 3/4"	18 3/4"	0"	1/2"	10 1/8"
20" x 14'	16 3/8"	15 3/8"	19 3/4"	18 3/4"	17"	1/2"	10 1/8"
20" x 16'	16 3/8"	15 3/8"	19 3/4"	18 3/4"	41"	1/2"	10 1/8"
20" x 18'	16 3/8"	15 3/8"	19 3/4"	18 3/4"	65"	1/2"	10 1/8"
20" x 20'	16 3/8"	15 3/8"	19 3/4"	18 3/4"	89"	1/2"	10 1/8"
20" x 22'	16 3/8"	15 3/8"	19 3/4"	18 3/4"	113"	1/2"	10 1/8"
20" x 24'	16 3/8"	15 3/8"	19 3/4"	18 3/4"	137"	1/2"	10 1/8"
24" x 14'	19 3/4"	18 3/4"	23 3/4"	22 3/4"	10"	1/2"	12 1/8"
24" x 16'	19 3/4"	18 3/4"	23 3/4"	22 3/4"	34"	1/2"	12 1/8"
24" x 18'	19 3/4"	18 3/4"	23 3/4"	22 3/4"	58"	1/2"	12 1/8"
24" x 20'	19 3/4"	18 3/4"	23 3/4"	22 3/4"	82"	1/2"	12 1/8"
24" x 22'	19 3/4"	18 3/4"	23 3/4"	22 3/4"	106"	1/2"	12 1/8"
24" x 24'	19 3/4"	18 3/4"	23 3/4"	22 3/4"	130"	1/2"	12 1/8"

AVAILABLE IN ■ Caulk-N-Walk® ■ Plumb Perfect® (kit included) ■ Plumb Perfect® (kit sold separately) ■ Split-Fit® ■ Pilaster ■ Pre-Finished ■ Standard
◆ Column, Capital and Base all in one box ● Seamless Column, except for Split-Fit®

LOAD BEARING: Visit dsicolumns.com for testing information

ROUND CAPITALS

Our standard Tuscan capitals are cast from the same rock hard composite material as our column shaft assuring maximum durability. Although casting capitals from this material requires extra attention to detail, we think you will agree it is worth the effort.

Most sizes of the Tuscan Tapered Capitals are made from Polyurethane. And some sizes are made utilizing a patented process to create a **Snug-Fit** capital. The Polyurethane capital is created with a foam ring for a snug-fit. This capital eliminates the need to purchase a backer rod to close the gap that can occur between the column shaft and the capital. Snug-Fit capitals do not require pilot holes.



NON-TAPERED TUSCAN CAPITALS

Column Size	Width	Height	Inside Diameter	Diagonal
8"	9 1/8"	2 1/2"	7 11/16"	13"
10"	12 1/4"	3 1/8"	9 7/8"	17 5/16"
12"	14"	3 1/2"	11 3/4"	20"
14"	16 3/4"	3 1/2"	14 1/8"	23 3/4"
16"	19 1/16"	5 1/8"	16 1/4"	27"

TAPERED TUSCAN CAPITALS

Column Size	Width	Height	Inside Diameter	Diagonal
Polyurethane				
6"	8"	2 1/4"	5 1/4"	11"
8"	9 1/8"	2 1/2"	6 1/4"	13"
10"	12 1/4"	3 1/2"	8 1/8"	17-5/16"
12"	14"	4 1/2"	9 5/8"	20"
14"	16 3/4"	4 1/2"	12 1/8"	23 3/4"
16"	19 1/16"	5 1/8"	14"	27"
Composite				
18"	21 1/4"	5 3/4"	15 3/4"	30"
20"	24 3/8"	5 5/8"	16 3/4"	34 1/2"
24"	27 3/4"	7 5/8"	20 1/2"	39 1/4"

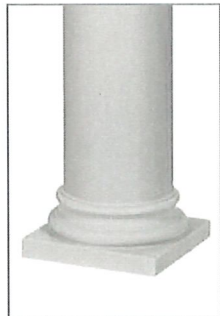


AVAILABLE IN ■ Caulk-N-Walk® ■ Plumb Perfect® (kit included) ■ Plumb Perfect® (kit sold separately) ■ Split-Fit® ■ Pilaster ■ Pre-Finished ■ Standard
▲ Snug-Fit Capital

Patent # US 8,424,259 B2

ROUND BASES

Standard Doric bases and optional Attic bases are made from the same material as our column shafts assuring maximum durability. This material provides superior performance withstanding punishment from snow shovels, weed eaters, pressure washers and general wear and tear.

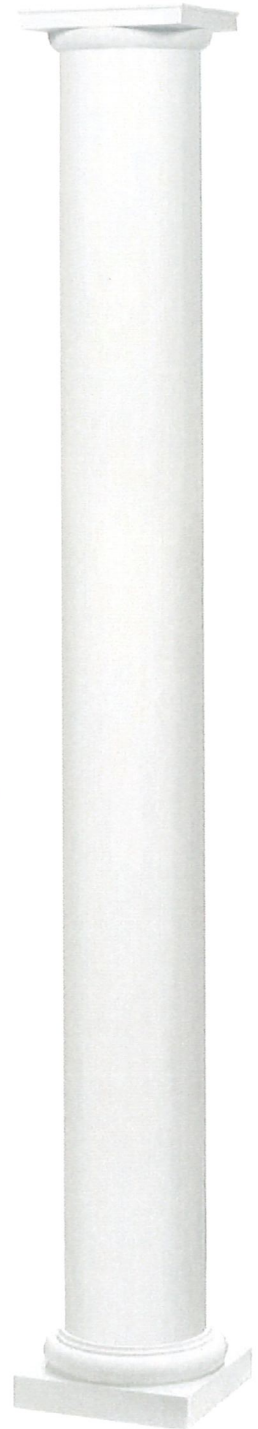


DORIC BASES*

Column Size	Width	Height	Inside Diameter	Diagonal
6"	8"	3"	6 1/4"	11 1/4"
8"	10"	4 1/8"	7 11/16"	14"
10"	13 1/8"	5 5/8"	9 7/8"	18 15/16"
12"	15 3/8"	6 5/16"	11 3/4"	21 3/4"
14"	18 5/8"	7 1/4"	14 1/8"	26 5/16"
16"	21 1/4"	8 1/8"	16 1/4"	30 1/16"
18"	24"	9 1/4"	18"	33 7/8"
20"	26 1/2"	11"	20 1/8"	37 5/8"
24"	32 1/4"	13 1/2"	24"	45 5/8"

ATTIC BASES

Column Size	Width	Height	Inside Diameter	Diagonal
8"	10 3/8"	4 5/8"	7 3/4"	14 5/8"
10"	13"	5 5/8"	9 7/8"	18 3/8"
12"	15 7/8"	6 3/8"	12"	22 1/2"
14"	19 1/4"	8 3/8"	14 3/8"	27 1/4"
16"	21"	8 3/4"	16"	29 1/2"
18"	24"	10 1/4"	17 3/4"	34"



AVAILABLE IN ■ Caulk-N-Walk® ■ Plumb Perfect® (kit included) ■ Plumb Perfect® (kit sold separately) ■ Split-Fit® ■ Pilaster ■ Pre-Finished ■ Standard

*Use Doric Base as the Capital for Non-Tapered 18", 20", and 24" Columns.

PACKAGING

Nothing increases the cost of a project more than delays. Delays can occur when the column arrives damaged, or the capital and base sets are separated from the order.

DSI takes great care in packaging our Columns. Most sizes are packaged with the complete shaft, capital, and base in one box. The column shaft is "cradled" in the box with foam rings to resist damage.

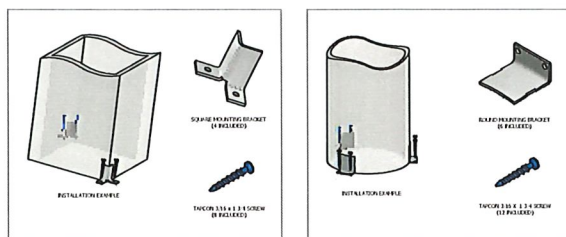


INSTALLATION KITS AND HARDWARE

OPTIONAL BRACKET KITS

Optional bracket kits contain 6 round brackets or 4 square brackets and screws.

The Round and Square Bracket Kits assist in the prevention of column kick-out.



OPTIONAL SPLIT-FIT® REASSEMBLY KITS

Optional Split-Fit® Reassembly kits include Adhesive Cartridge with Adapter and (1) Roll of 3M/Scotch Bonding Tape.



TECHNICAL PRODUCT DATA

LOAD-BEARING SPECIFICATIONS

Load-Bearing specifications are listed on the DSI Website, dsicolumns.com.

Load limits are specific to a product's diameter or profile and predicated on 100% coverage at the top and bottom of a column.

FIRE RATED PRODUCT

DSI has fire rated products available upon request. Our fire rated products have received Class A Certification through testing for flame spread and smoke developed standards set forth in the ASTM E84 Test.



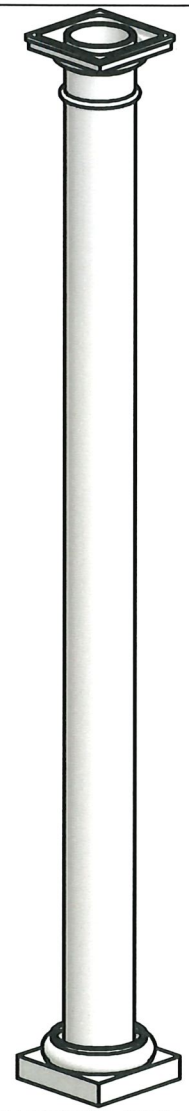
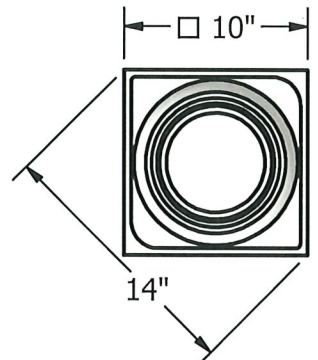
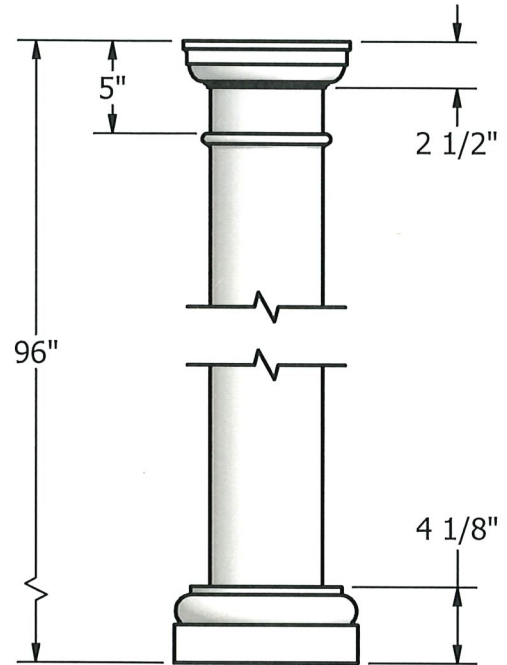
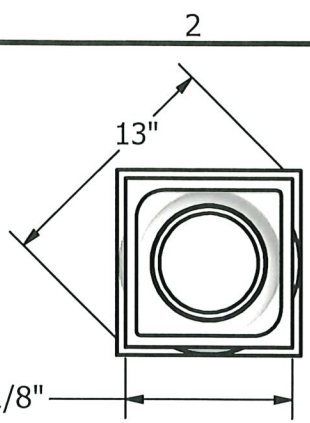


Composite & Fiberglass Column Load Ratings


Model	Size	Length	Tested Height	Ultimate Load
Square Smooth Composite Columns were tested using Concentric Loading				
Square Smooth	6"	8' & 9'	9'	40,000 lbf
Square Smooth	8"	8', 9', & 10'	10'	44,000 lbf
Square Smooth	10"	8', 9', & 10'	10'	40,000 lbf
Square Smooth	12"	8', 9', 10', & 12'	12'	61,000 lbf
Round Smooth Tapered Composite Columns were tested using Concentric Loading				
Round Smooth Tapered	6"	6', 7', & 8'	8'	41,000 lbf
Herculite Square Smooth Pultruded Fiberglass Columns were tested using Eccentric Loading				
Herculite Square Smooth	8"	8', 9', & 10'	10'	28,829 lbf
Herculite Square Smooth	10"	8', 9', & 10'	10'	28,160 lbf
Herculite Square Smooth	12"	8', 9', 10', & 12'	12'	39,303 lbf
Round Smooth Tapered larger than 6" Composite Columns were tested using Eccentric Loading				
Round Smooth Tapered	8"	8'	8'	27,000 lbf
Round Smooth Tapered	8"	9'	9'	27,000 lbf
Round Smooth Tapered	8"	10'	10'	22,000 lbf
Round Smooth Tapered	10"	8'	8'	25,000 lbf
Round Smooth Tapered	10"	9'	9'	43,000 lbf
Round Smooth Tapered	10"	10'	10'	38,000 lbf
Round Smooth Tapered	12"	8'	8'	32,000 lbf
Round Smooth Tapered	12"	9'	9'	36,000 lbf
Round Smooth Tapered	12"	10'	10'	50,000 lbf


Weight values are ultimate load - Safety factors have not been applied to this value.

- NOTES:**
1. MATERIAL: FIBERGLASS REINFORCED POLYMER (FRP)
 2. WEIGHT: COLUMN: 56 Lbs.
CAP: 2.5 Lbs.
BASE: 4.5 Lbs.
 3. MATERIAL THICKNESS.
COLUMN: 3/8"
 4. INSIDE DIAMETER AT TOP OF COLUMN: 5 3/8"
 5. OUTSIDE DIAMETER AT TOP OF COLUMN: 6 1/8"
 6. INSIDE DIAMETER AT BOTTOM OF COLUMN: 6 7/8"
 7. OUTSIDE DIAMETER AT BOTTOM OF COLUMN: 7 5/8"
 8. TAPER STARTS FROM BOTTOM OF COLUMN: 31"



DRAWN	Bryan Daniels	5/10/2016
CHECKED		
QA		
MFG		
APPROVED		
DIMENSIONS ARE IN INCHES TOLERANCE: ± 1/4"		





TITLE
Fiberglass Tuscan Round, Smooth 8" x 8'

SIZE A	DWG NO	REV
SCALE	SM0808	03
1:10	SHEET 1 OF 1	

2

1