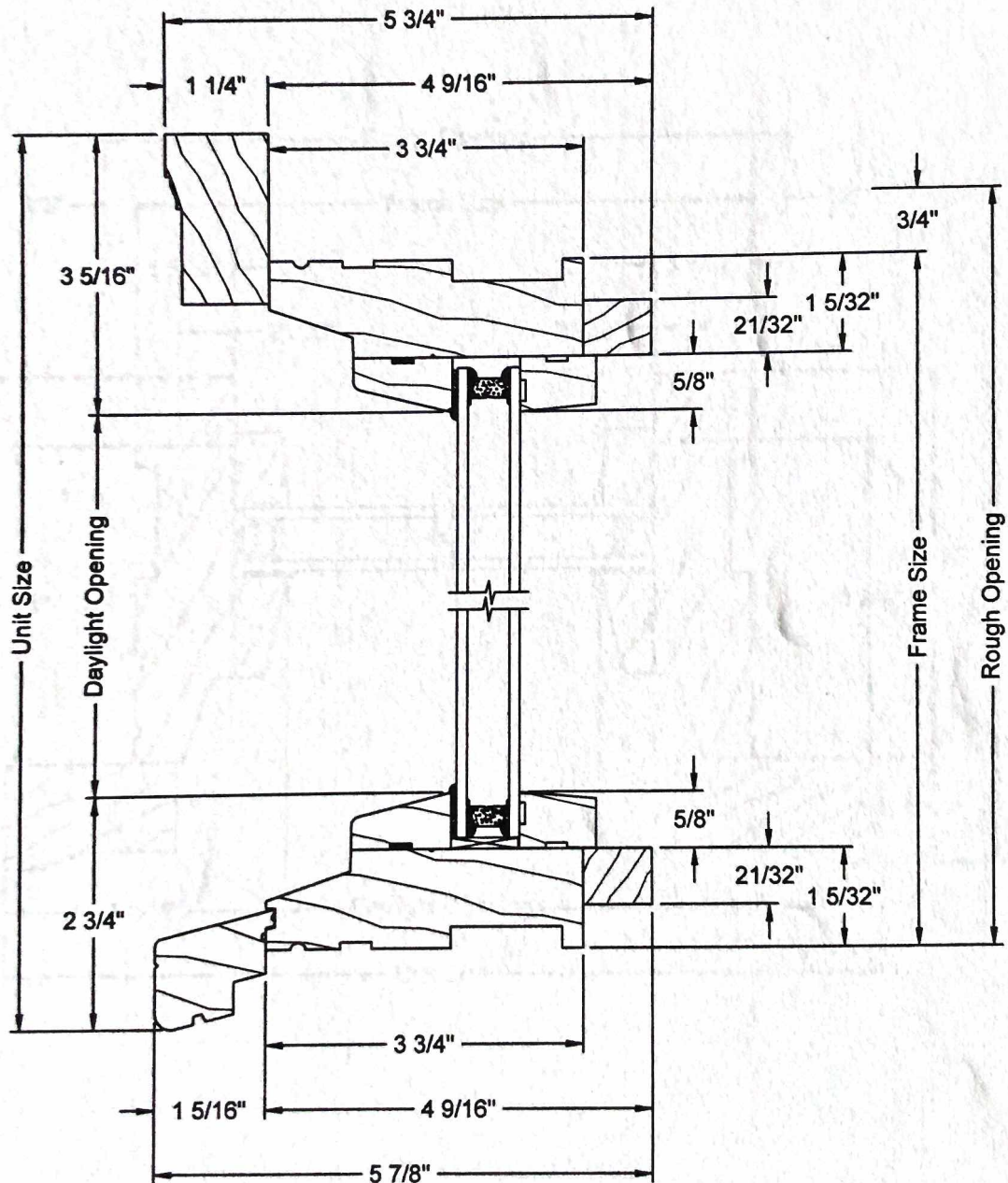


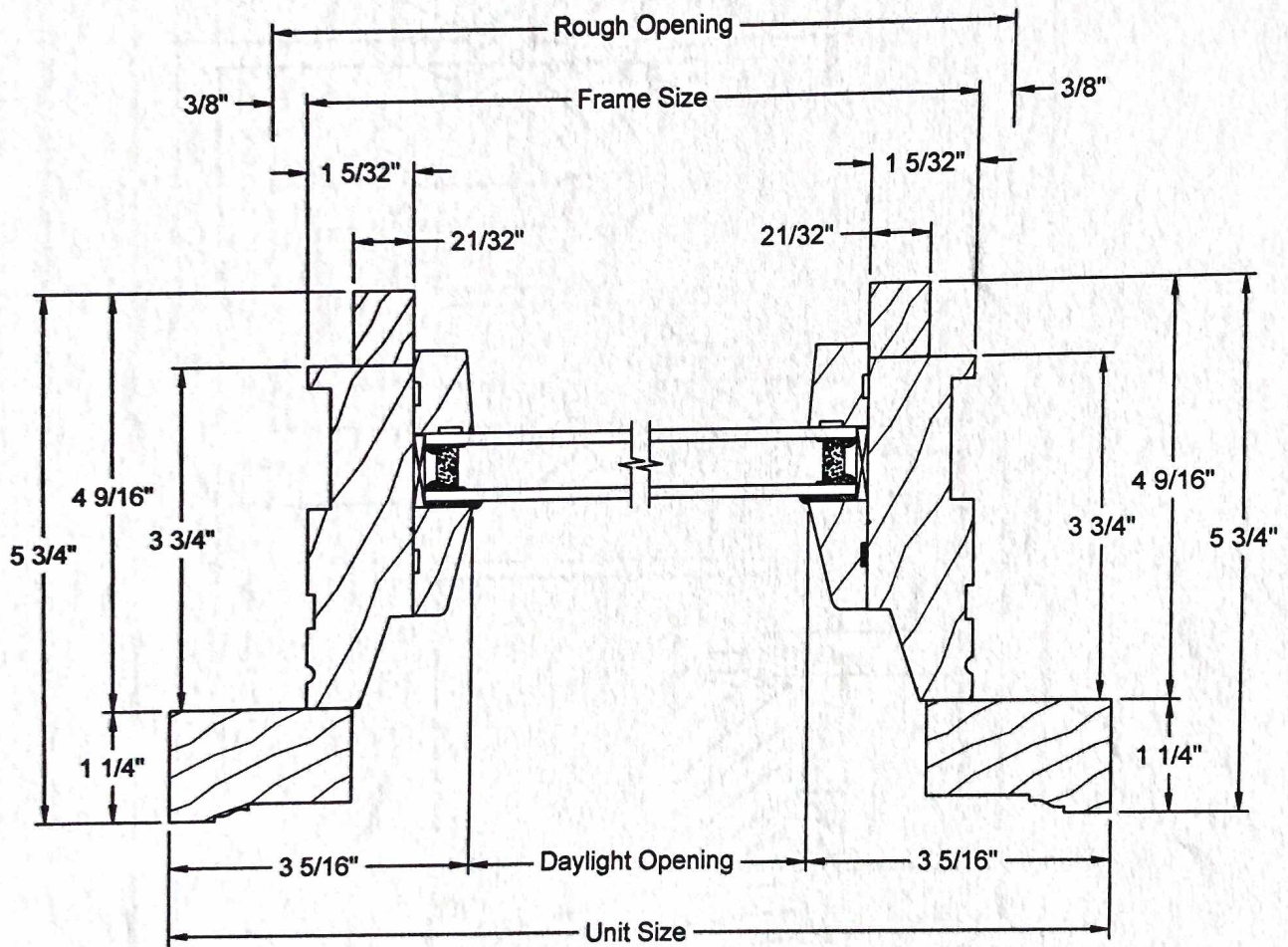


STANDARD - VERTICAL SECTION

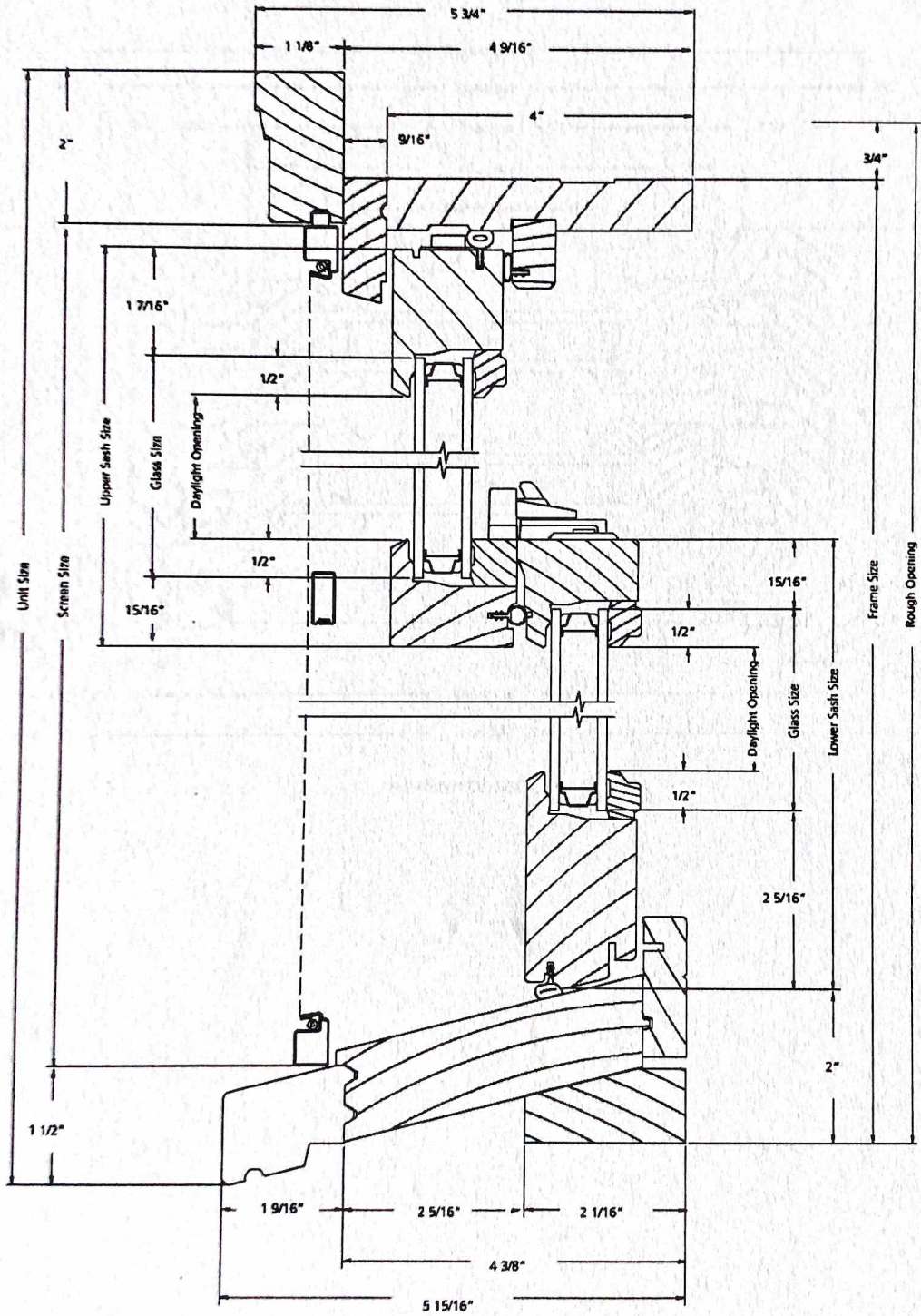




STANDARD - HORIZONTAL SECTION



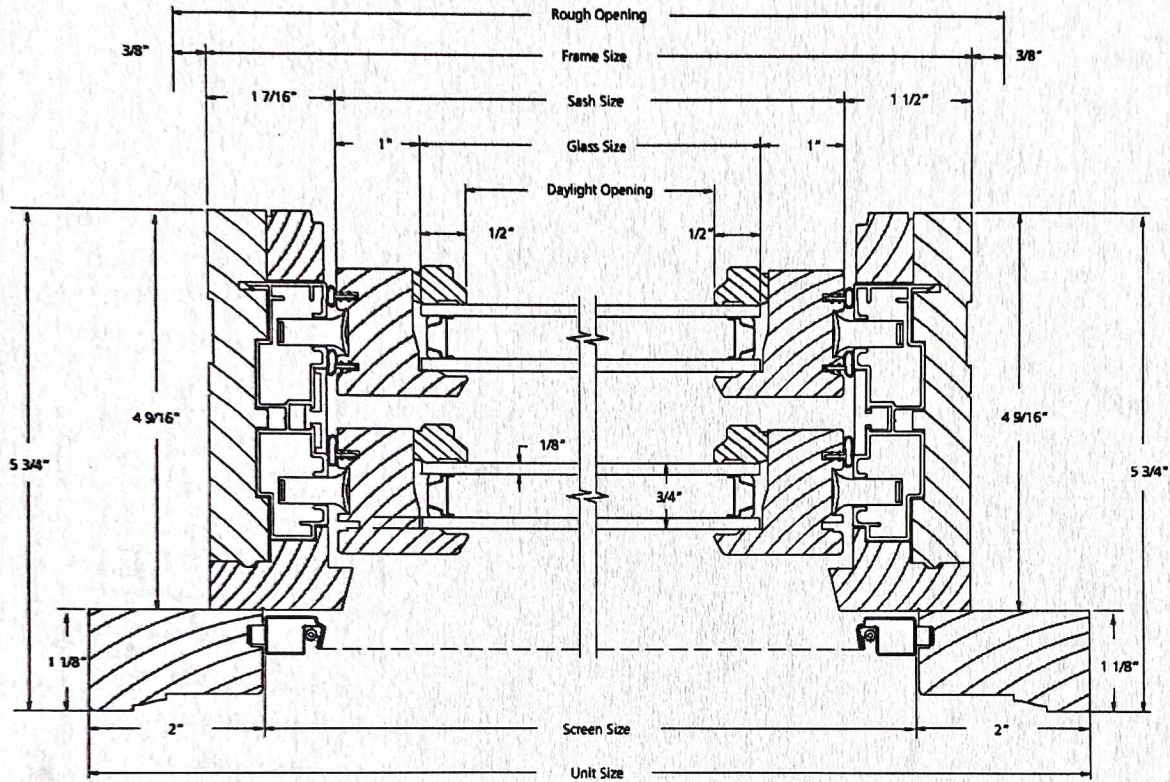
**1-WIDE UNIT**



**VERTICAL SECTION**

SCALE: 6" = 1'

1-WIDE UNIT



HORIZONTAL SECTION

SCALE: 6" = 1'