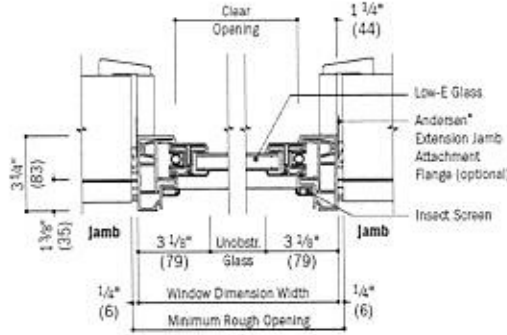


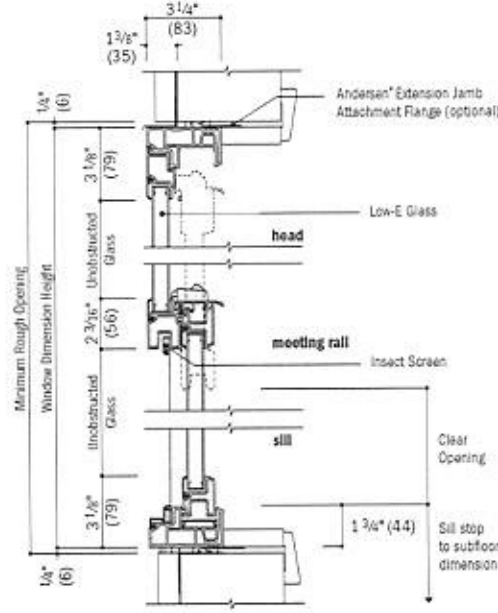
100 SERIES SINGLE-HUNG WINDOWS

Single-Hung Window Details - New Construction
 Scale 1 1/2" (38) = 1'-0" (305) - 1:8

1 3/4" flange setback

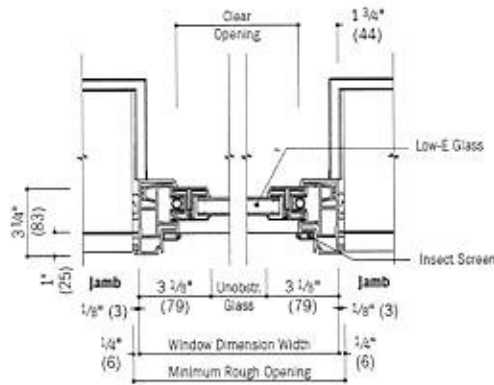


Horizontal Section

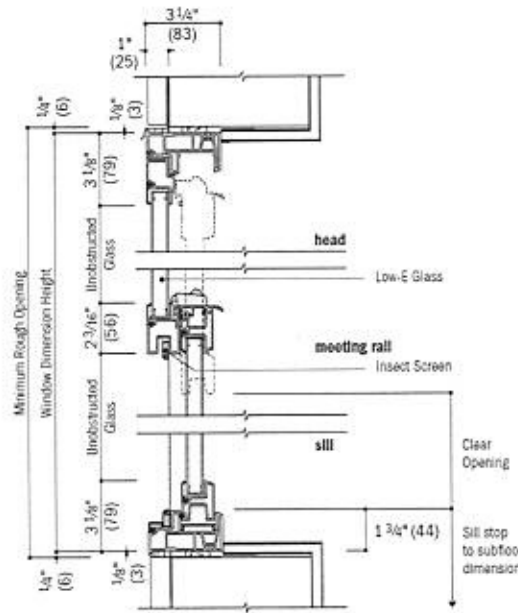


Vertical Section

1" flange setback with stucco key

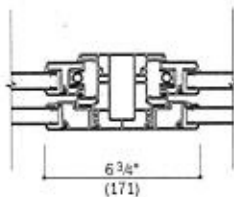


Horizontal Section
stucco exterior

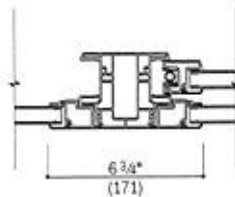


Vertical Section
stucco exterior

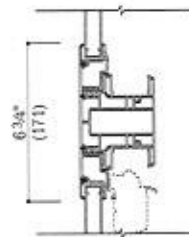
Integrals



Horizontal Section
Twin or Triple Single-Hung



Horizontal Section
Picture with Flanking Single-Hung



Vertical Section
Transom over Single-Hung

- Drip cap is required to complete window installation as shown, but may not be included with the window. Use of drip cap is recommended for proper installation.
- Light-colored areas are parts included with window. Dark-colored areas are additional Andersen® parts required to complete window assembly as shown.
- Rough openings may need to be increased to allow for use of building wraps, flashing, sill panning, brackets, fasteners or other items.
- Details are for illustration only and are not intended to represent product installation methods or materials. Refer to product installation guides at andersenwindows.com.
- Dimensions in parentheses are in millimeters.

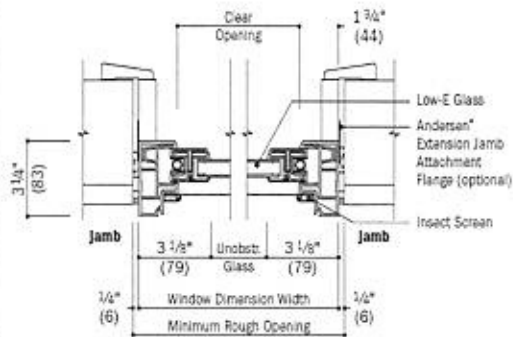
100 SERIES SINGLE-HUNG WINDOWS

Andersen

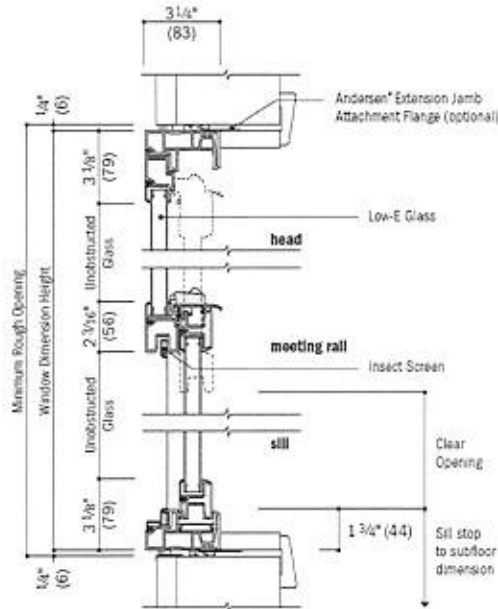
Single-Hung Window Details - Replacement

Scale 1 1/2" (38) = 1'-0" (305) - 1:8

no flange

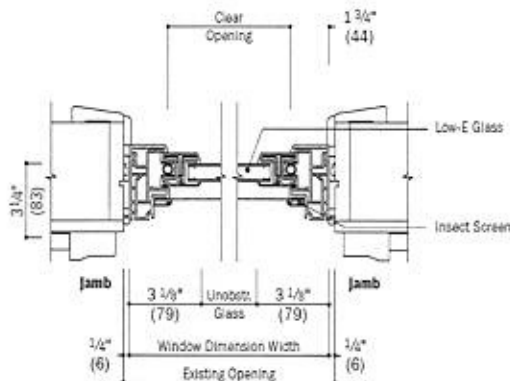


Horizontal Section
existing framed opening

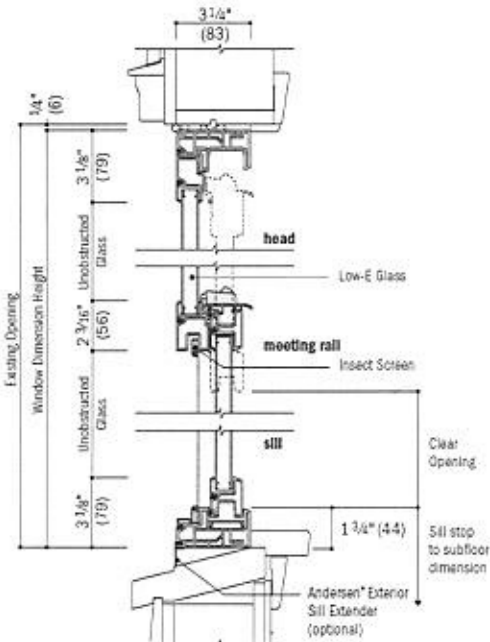


Vertical Section
existing framed opening

insert

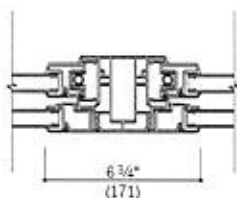


Horizontal Section
existing window opening

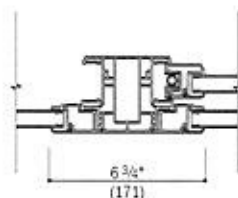


Vertical Section
existing window opening

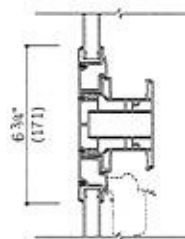
integrals



Horizontal Section
Twin or Triple Single-Hung



Horizontal Section
Picture with Flanking Single-Hung



Vertical Section
Transom over Single-Hung

- Drip cap is required to complete window installation as shown, but may not be included with the window. Use of drip cap is recommended for proper installation.
- Light-colored areas are parts included with window. Dark-colored areas are additional Andersen® parts required to complete window assembly as shown.
- Rough openings may need to be increased to allow for use of building wraps, flashing, sill panning, brackets, fasteners or other items.
- Details are for illustration only and are not intended to represent product installation methods or materials. Refer to product installation guides at andersenwindows.com.
- Dimensions in parentheses are in millimeters.

100 SERIES SINGLE-HUNG WINDOWS

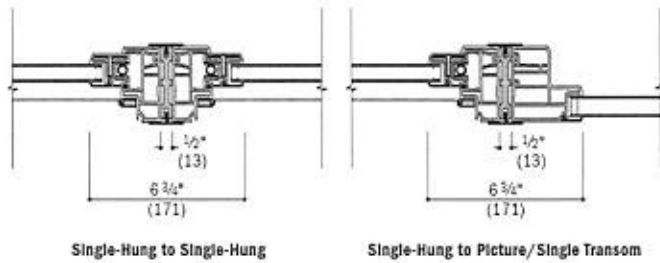
Vertical (ribbon) Fiberglass Joining Details – Non-Reinforced

Scale 1½" (38) = 1'-0" (305) – 1:8

Overall Window Dimension Width Sum of individual window widths plus ½" (13) per join.

Overall Minimum Rough Opening Width Overall window dimension width plus ¾" (19).

The addition of joining materials will affect the overall rough opening dimension.



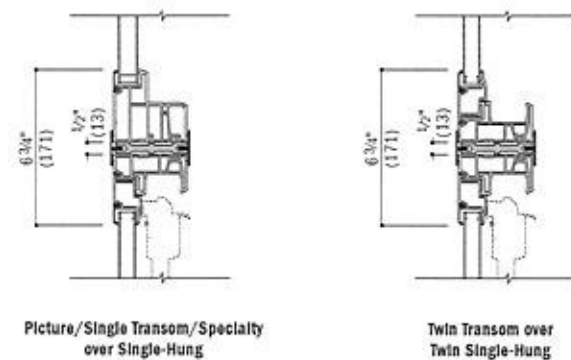
Horizontal (stack) Fiberglass Joining Details – Non-Reinforced

Scale 1½" (38) = 1'-0" (305) – 1:8

Overall Window Dimension Width Sum of individual window widths plus ½" (13) per join.

Overall Minimum Rough Opening Width Overall window dimension width plus ¾" (19).

The addition of joining materials will affect the overall rough opening dimension.



* Rough openings may need to be increased to allow for use of building wraps, flashing, sill panning, brackets, fasteners or other items.
 * Details are for illustration only and are not intended to represent product installation methods or materials. Refer to product installation guides at andersenwindows.com.
 * Structural performance of any combination is only as high as the lowest structural performance of any individual window or join in the combination.
 * Dimensions in parentheses are in millimeters.

100 SERIES SINGLE-HUNG WINDOWS

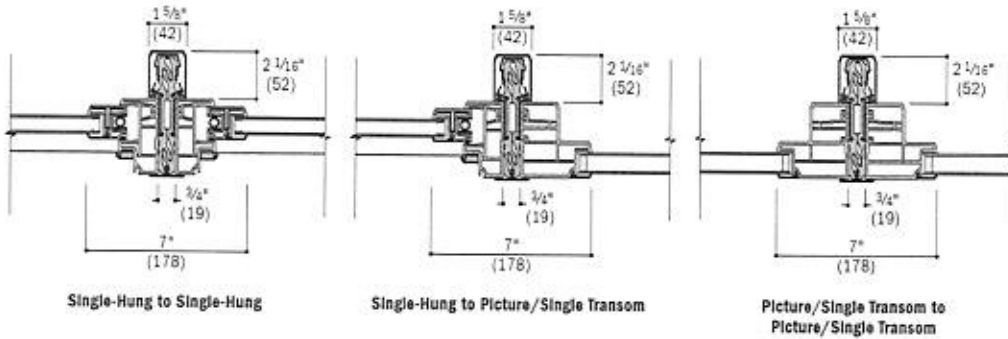
Vertical (ribbon) Fiberglass Joining Details – Reinforced

Scale 1 1/2" (38) = 1'-0" (305) – 1:8

Overall Window Dimension Width Sum of individual window widths plus 3/4" (19) per join.

Overall Minimum Rough Opening Width Overall window dimension width plus 3/4" (19).

The addition of joining materials will affect the overall rough opening dimension.



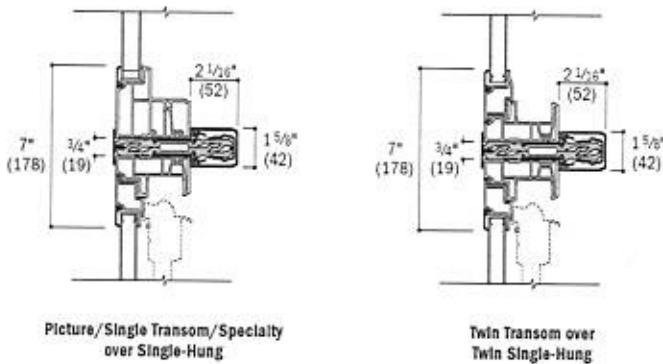
Horizontal (stack) Fiberglass Joining Details – Reinforced

Scale 1 1/2" (38) = 1'-0" (305) – 1:8

Overall Window Dimension Width Sum of individual window widths plus 3/4" (19) per join.

Overall Minimum Rough Opening Width Overall window dimension width plus 3/4" (19).

The addition of joining materials will affect the overall rough opening dimension.



- Rough openings may need to be increased to allow for use of building wraps, flashing, sill panning, brackets, fasteners or other items.
- Details are for illustration only and are not intended to represent product installation methods or materials. Refer to product installation guides at andersenwindows.com.
- Structural performance of any combination is only as high as the lowest structural performance of any individual window or join in the combination.
- Dimensions in parentheses are in millimeters.