

* NOMINAL GLASS SETTING BLOCKS HAVE BEEN INSTALLED IN ALL 4 (FOUR) CORNERS OF EACH MONTEREY PANEL. ADDITIONAL, VARYING THICKNESS, CORNER BLOCKS ARE SHIPPED LOOSE WITH MONTEREY SYSTEMS. THESE CORNER BLOCKS ARE TO BE USED BY GLASS INSTALLER TO ACHIEVE PROPER BLOCKAGE WITHIN PANEL FRAMES.

* CUSTOMER COORDINATION REQUIRED FOR SPLICE LOCATIONS ON OPENINGS GREATER THAN 25'2"

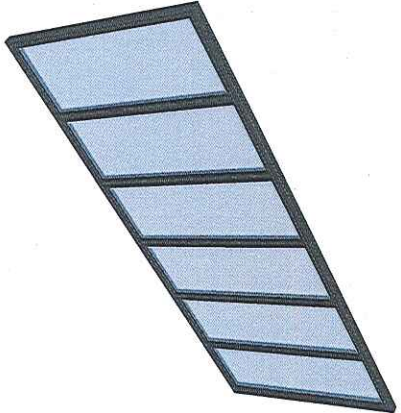
MARK: 0

PANEL GLASS SIZE: 36-1/2"W X 95-1/8"H

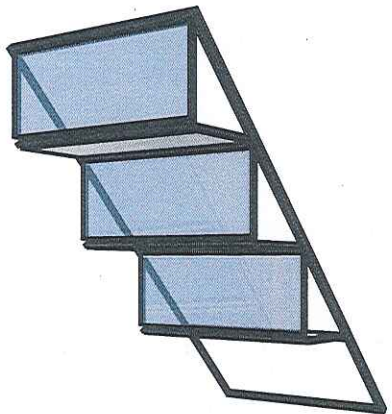
PALISADES DOOR CONFIGURATION

System Type:	S90
Rough Opening Width:	247
Rough Opening Height:	101.5
Glass Thickness:	1 in IG [3/16 in 5/8 in 3/16 in] (By Others)
Panel and Frame Finish:	Black Bronze Anodized
Hardware Finish:	Black Powder Coat
Number of Panels (Left Side):	6
Number of Panels (Right Side):	0
Lock Type:	Two Point Lever Latch
Sill Condition:	Raised Sill
Build Application:	External
Swing Direction:	In Swing
QTY:	1

Closed




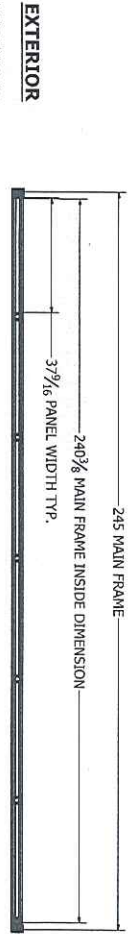
Halfway Open



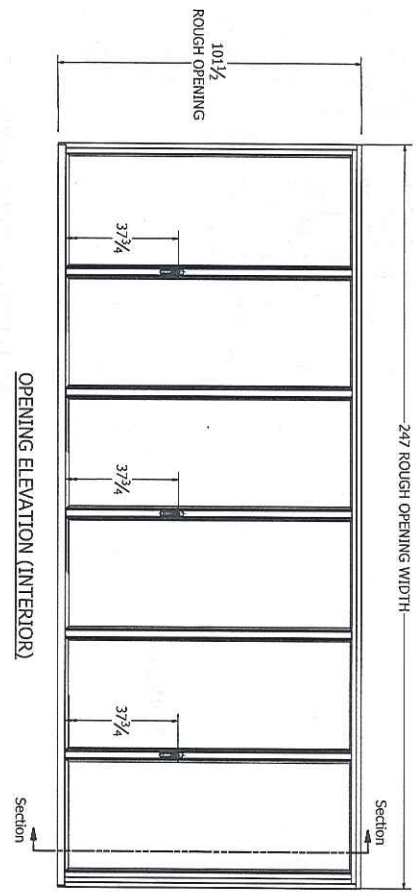
Fully Open



 A CRH COMPANY 2501 E. Verden Avenue Los Angeles, CA 90059-1897 PH (800) 421-8184 FAX (800) 262-2299 www.crhinterior.com	Revision Date	Revision Comments
	2021-07-23	1
Customer DESIGNERS MIRROR & GLASS Address 24391 GIBSON ST WARREN Phone 586-754-6400 Contact DAVID MARTIN	Drawn By: ST Check By: ST Outside #: 176411 Drafting ISO: 10026/408 Sheet No.:	1 of 5



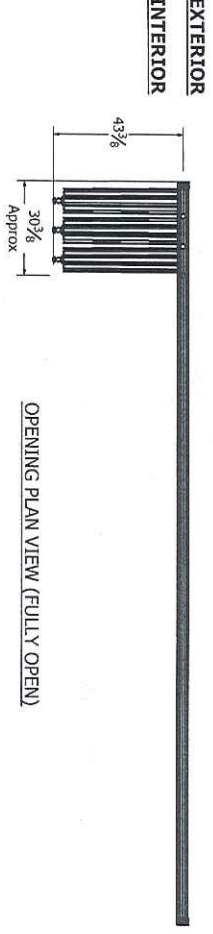
OPENING PLAN VIEW (CLOSED)



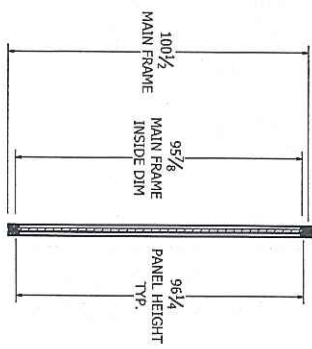
OPENING ELEVATION (INTERIOR)



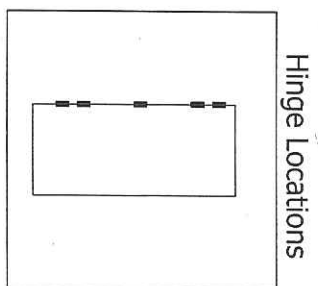
OPENING PLAN VIEW (PARTIALLY OPEN)



OPENING PLAN VIEW (FULLY OPEN)



INTERIOR
EXTERIOR



Revision Date	Revision Comments
2021-07-23	1

DM
A CRH COMPANY
2501 E. Vermont Avenue,
Los Angeles, CA 90056-1897
PH (800) 421-6144 FAX (800) 262-3259
www.crla.com

Customer **DESIGNERS MIRROR & GLASS**
Address 24391 GIBSON ST
WARREN
Phone 586-754-6400
Contact DAVID MARTIN

Drawn By: SV
Quote #: 178611
Drafting ESQ: 10024598
Sheet No: 1

2 of 5



Palisades S90 Features & Benefits

The Palisades S90 Bi-Folding Door offers exceptional performance without compromising aesthetics and function. As a bottom rolling system, it eliminates strain on the overhead beam.

- Bottom rolling system
- CW40 Performance Grade rating
- 4-3/4" sightline & 1-7/16" rails
- Completely concealed hinges
- Compensating channels & adjustable spacers
- Stainless steel hardware
- (+/-) 1/16" adjustable roller height
- Thermally broken with 1" insulating glass
- 3-1/2" system depth enhances performance
- 5 standard configurations
- Maximum frame height: 12 feet
- Maximum panel width: Up to 48 inches
- Maximum panel weight: 200 lb
- Maximum connected panels: 9 per jamb
- Panels can fold inward or outward
- Flush or raised sill options
- Standard finishes: black bronze anodized, satin anodized, black or white powder coat with 90% gloss. Custom RAL colors available.

Test Results

Refer to Test Report for tested unit size and results.



Air Infiltration

ASTM E-283 and NFRC 400, cfm/ft2
Outward Opening

@ **6.24** psf
(300 Pa): **0.05**



Structural Load Deflection

ASTM E-330: pass, L/175 Pass
Outward Opening

Design Pressure

Positive

Negative

@ **50** psf
(3350 Pa)

3'x8'

@ **40** psf
(2160 Pa)

3'x10' testing in progress

Refer to windload diagram and structural report



Water Penetration

ASTM E-547 and E-331

No uncontrolled water
entry @ **10** psf (440 Pa)



Acoustic Performance

ASTM E-1425

STC Rating: **32-36**
1" Double IGU

STC 32 achieved with STC 34 glass
STC 36 achieved with STC 39 glass



Thermal Performance

(testing in progress)

U-factor with 1" IG,
Low-E, Air Filled: **0.36**

Rated, certified and labeled in accordance with NFRC 100 + 200



Life Cycle Performance

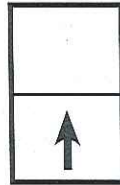
(testing in progress)

Tested to
250,000 cycles



Forced Entry Resistance

In accordance with
AAMA-1304



**H503 Series
AW-PG50
3 1/4" Frame Depth
Single Hung**

H503 SERIES SINGLE HUNG

The Quaker Historical H503 Series Single Hung window is ideal for a variety of applications including - Historical, Landmarks, Institutions, Education, Apartments and Assisted Living.

FEATURES

- ◇ Commercial Framing System
 - 3 1/4" main frame
 - 0.062" wall thickness of interior and exterior walls
- ◇ Thermally Enhanced Design
 - Azon pour and debridge thermal break is 1/2" wide in all main frame and vent rail extrusions
- ◇ Glazing
 - 5/8" insulated glass
- ◇ Hardware
 - Gravity latch
- ◇ Screen
 - Extruded aluminum screen frame with BetterVue™ mesh

BENEFITS

- ◇ The capacity to match exterior colors for unique project facades
- ◇ The ability to facilitate large sizes for taller and wider window openings
- ◇ Historically accurate panning and trim styles to help your project meet Historic Preservation codes

PERFORMANCE

- ◇ Structural & Thermal (test reports and thermal simulations available upon request)

Model	Single Hung
AAMA/WDMA/CSA 101/LS.2/A440-08 Rating	AW-PG50
Structural Load P.S.F.	75.19
Air at 50 MPH (cfm/ft²)	0.17
Water (No Penetration) P.S.F.	10.03
U-Value (with Low-E and Argon)	0.40 - 0.49
SHGC (with Low-E and Argon)	0.14 - 0.31

Window test size: 60" x 99"

Operating Force: 25.3 lbf (maintain motion), 14 lbf (latches)

OPTIONS

- ◇ Available Configurations
 - Single Hung
 - ~~Oriel single hung~~
- ◇ ~~Muntin Choices~~
 - ~~Internal or simulated divided lites available~~
- ◇ Limited travel hardware
- ◇ Screen
 - Extruded aluminum screen frame with aluminum wire mesh
 - Extruded aluminum screen frame with sunscreen mesh
 - Extruded aluminum screen frame with stainless steel 0.009" thickness mesh
 - Security screen
- ◇ Glazing
 - ~~Capillary tubes~~
 - ~~Argon gas~~
 - Wide variety of glazing, tinting and thickness options
- ◇ Panning & Trim Choices
 - Wide variety of panning, receptor and trim available
- ◇ Mulling
 - Wide variety of structural mulls
- ◇ ~~Specialty~~
 - ~~Attached exterior or interior storm window~~
 - ~~Extension jambs~~
 - ~~Screen track cut-out~~
 - ~~Ogee lugs~~



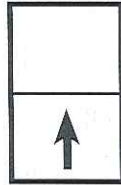
Our products are tested to the standards of and certified by the American Architectural Manufacturer's Association, the National Fenestration Rating Council and the Window & Door Manufacturers Association.



QUAKER
COMMERCIAL WINDOWS AND DOORS



QUAKER
COMMERCIAL WINDOWS AND DOORS

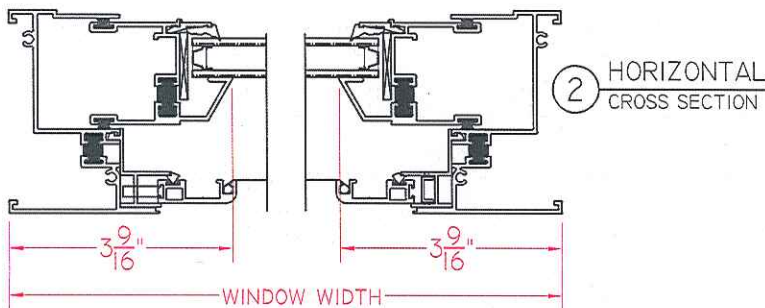
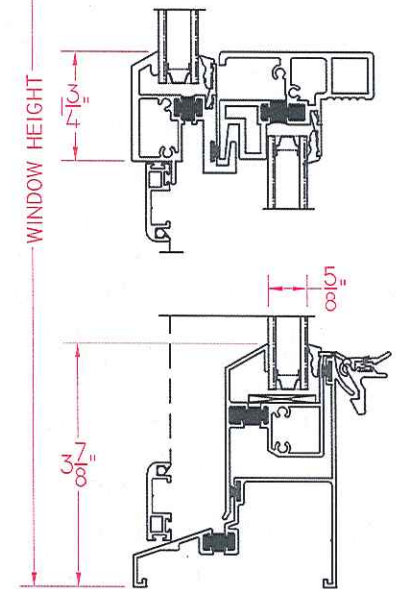
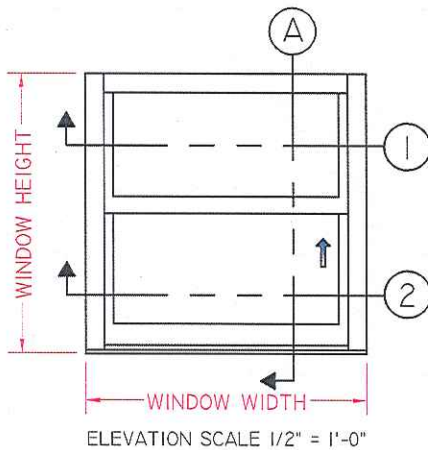
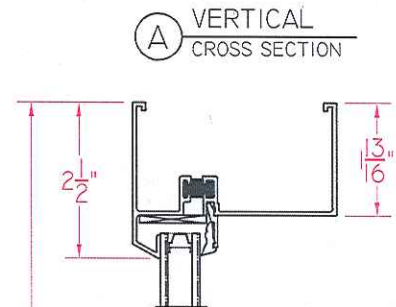
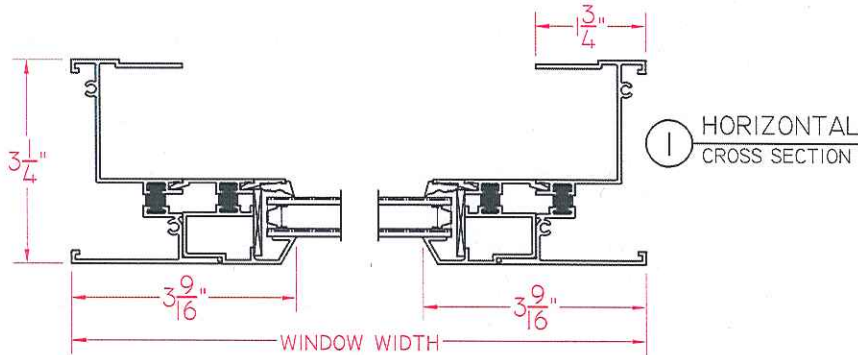


Historical
SERIES

**H503 Series
AW-PG50
3 1/4" Frame Depth
Single Hung**

H503 SERIES SINGLE HUNG

This document contains confidential and proprietary information intended for the private use of Quaker.
© 2016 Quaker Window Products Co., INC. All rights reserved.
Quaker reserves the right to change any/all designs without notice. Due to periodic re-certification requirements, result shown may vary.



Our products are tested to the standards of and certified by the American Architectural Manufacturer's Association, the National Fenestration Rating Council and the Window & Door Manufacturers Association.



QUAKER
COMMERCIAL WINDOWS AND DOORS

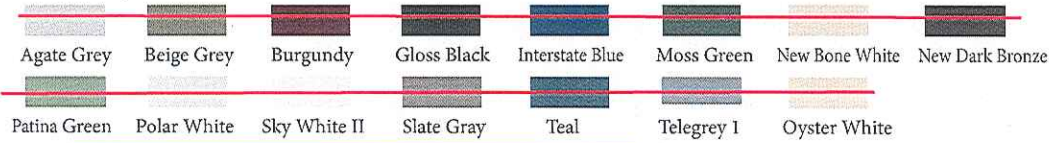
ARCHITECTURAL PAINT COATINGS AND FINISHES

◇ Baked on powder coat finish meets ANSA/AAMA 2604 specs and is available in unlimited colors

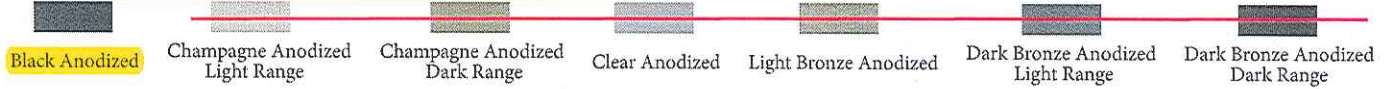
- 11 Popular Colors



- 15 Impressive Colors



- 7 Resemble Colors (painted finish resembling anodized)



- Unlimited Custom Colors

~~◇ ANSA/AAMA 2605 powder coat finishes~~

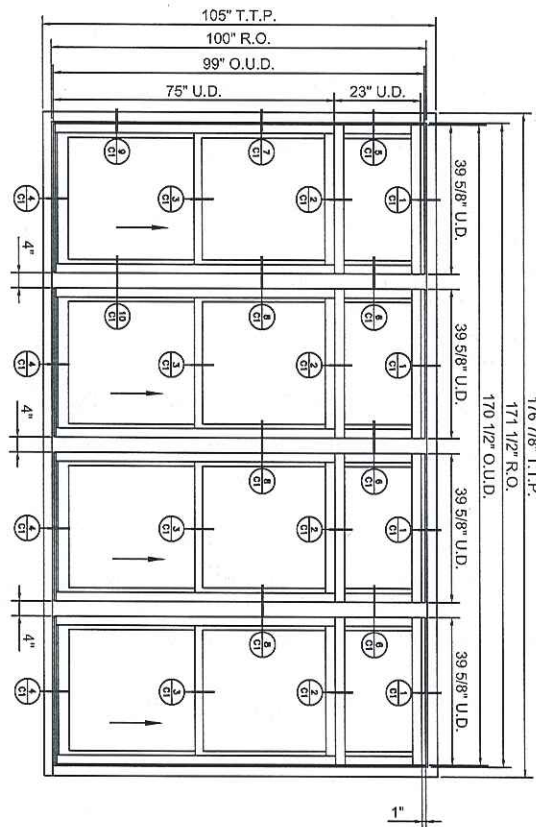
~~◇ AAMA 611-98 Class I clear and tinted anodized finishes~~

* Printed colors shown here may not accurately depict actual painted colors. Color samples are available upon request.

Our products are tested to the standards of and certified by the American Architectural Manufacturer's Association, the National Fenestration Rating Council and the Window & Door Manufacturers Association.



QUAKER
COMMERCIAL WINDOWS AND DOORS



QUAKER
COMMERCIAL WINDOW AND DOOR

Drawn By: AMS
Checked By: AGN

504 Highway 63 South
Freeburg, MO 65035

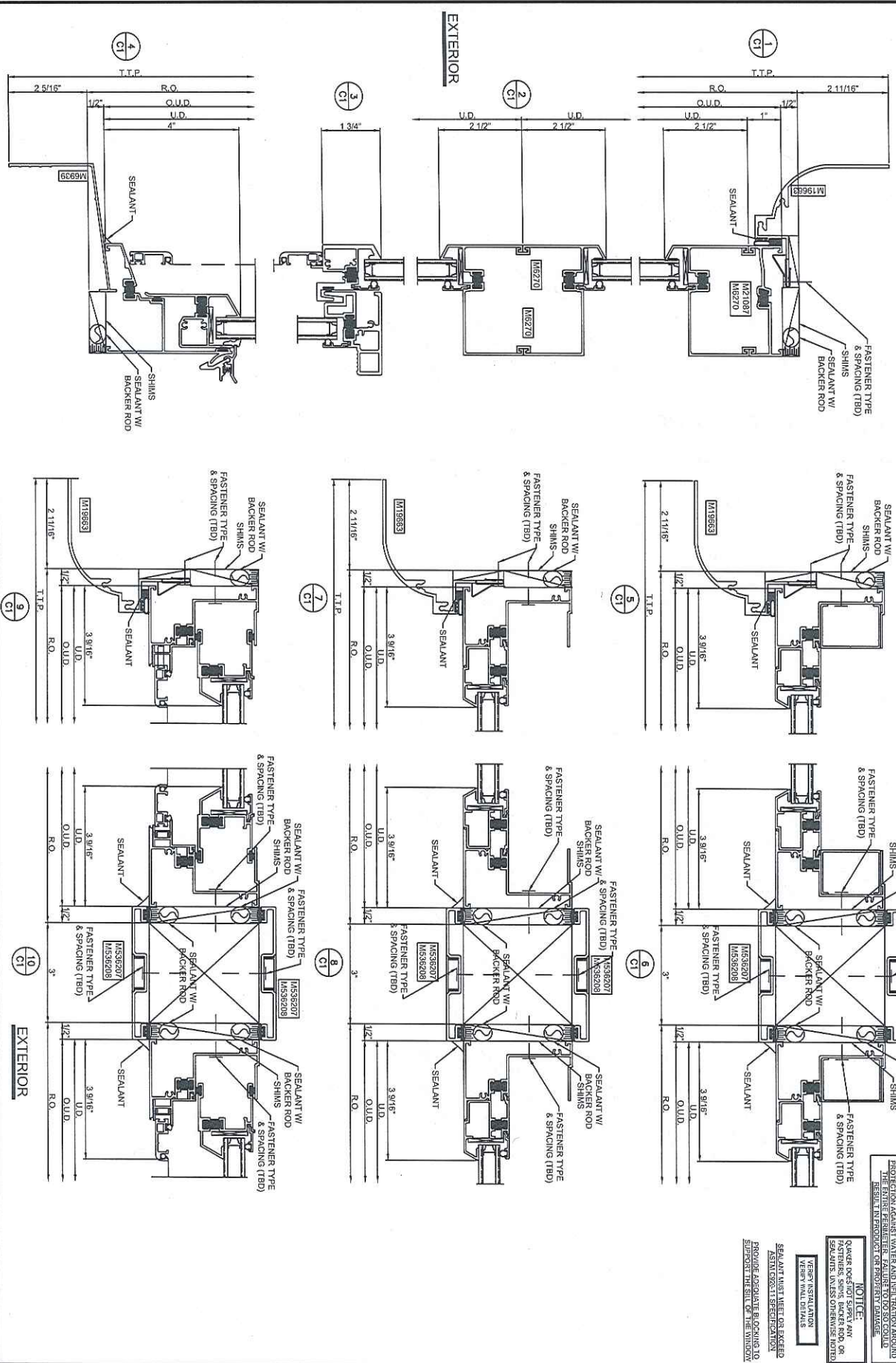
Scale: 3/8" = 1'
Sheet #: A3

Description: **ELEVATIONS**

QUAKER WINDOW PRODUCTS WILL NOT BE RESPONSIBLE FOR FIELD MEASUREMENT, QUANTITIES, & INSTALLATION DESIGN. CONTRACTOR MUST VERIFY ALL DIMENSIONS.

Project Name: **1427 RANDOLPH STREET**

Drawing Created
5/12/21



NOTICE:
 QUAKER WINDOW PRODUCTS, INC. IS NOT RESPONSIBLE FOR THE PROPER INSTALLATION OF THE WINDOW OR DOOR. THE USER MUST VERIFY THE CORRECTNESS OF THE DIMENSIONS AND THE CONDITION OF THE SURFACE TO WHICH THE WINDOW OR DOOR IS BEING INSTALLED. THE USER MUST VERIFY THE CORRECTNESS OF THE DIMENSIONS AND THE CONDITION OF THE SURFACE TO WHICH THE WINDOW OR DOOR IS BEING INSTALLED. THE USER MUST VERIFY THE CORRECTNESS OF THE DIMENSIONS AND THE CONDITION OF THE SURFACE TO WHICH THE WINDOW OR DOOR IS BEING INSTALLED.

<p>QUAKER COMMERCIAL WINDOW PRODUCTS, INC.</p>	PHONE (573)-744-5211 FAX (573)-744-5586 COMMERCIAL 504 Highway 63 South Freeburg, MO 65035	Description: CUT DETAILS QUAKER WINDOW PRODUCTS WILL NOT BE RESPONSIBLE FOR FIELD MEASUREMENT, QUANTITIES, & INSTALLATION DESIGN. CONTRACTOR MUST VERIFY ALL DIMENSIONS.	Project Name: 1427 RANDOLPH STREET
	Drawn By: AMS Checked By: AGN	Sheet #: C1	Drawing Created: 5/7/21