



April 20, 2021

**CERTIFICATE OF APPROPRIATENESS**

Marques King  
East Jefferson Development Corporation  
300 River Place, Ste. 2520  
Detroit, MI 48207

**RE: Application Number 21-7170; 14300 E. Jefferson Avenue, Jefferson-Chalmers Historic Business District**

Dear Mr. King:

At the regularly scheduled meeting held virtually on April 14, 2020, the Detroit Historic District Commission (“Commission”) reviewed the above-referenced application for building permit. Pursuant to Section 5(10) of the Michigan Local Historic District Act, as amended, being MCL 399.205, MSA 5-3407(5)(10) and Section 21-2-73 of the 2019 Detroit City Code; the Commission has reviewed the above-referenced application for building permit and hereby issues a Certificate of Appropriateness, which is effective as of April 20, 2021.

The following proposed work meets the defined elements of design for the historic district and the Secretary of the Interior’s Standards for Rehabilitation and guidelines for rehabilitating historic buildings (36 CFR Part 67).

- Replace the existing double doors with new double doors. Manufacturer: YKK AP – 20D/35D/50D Standard Commercial Entrance

The COA was issued with the following conditions:

- The selected door handle design be documented on the plans.
- The frame finish, YS1N-Clear, will be documented on the plans.
- The selected glass will appear to be colorless and not noticeably tinted or reflective.

Please retain this COA for your files. You should now proceed to obtain a building permit from the City of Detroit Buildings, Safety, Engineering and Environmental Department. It is important to note that approval by the Detroit Historic District Commission does not waive the applicant's responsibility to comply with any other applicable ordinances or statutes.

For the Commission:

Audra Dye  
Staff, Detroit Historic District Commission



Kresge Building Front Doors

March 4, 2021

Mr. Brendan Cagney, Historic Specialist  
City of Detroit, Planning & Development Department  
2 Woodward Avenue, Suite 808  
Detroit, MI 48226

Re: Kresge Building Renovation  
14300 East Jefferson, Detroit, MI 48215

Mr. Cagney,

We are submitting for your review documentation for the replacement of the historic front doors of the Kresge Building in the Jefferson/Chalmers Historic District.

The building has been under renovation for a couple years with our original intent of the front doors to be refurbished and retained. The General Contractor and sub trades have performed refurbishing work on the doors, but they are still very much out of alignment, damaged which is not repairable, and not weather tight. It is the wish of the Owner to replace the doors with very similar doors, as explained in the enclosed brochure and details, from the manufacturer which produced the adjacent replacement storefront material, so that the aluminum finish matches what was approved by the HDC, as well as matches what is now installed.

Please review.

Thank you,

Brian V. Hurttienne, Principal  
Christian Hurttienne Architects  
2111 Woodward Avenue, Suite 201  
Detroit, MI



Jefferson E  
Lakewood





STOP

LAWWOOD  
Jett











BUS STOP

MOSKU



URBAN SCAPE

Lakewood  
Jefferson E

UP Mo

Kresge Building Front Doors



Existing Interior of doors



Existing Exterior of doors



## 20D / 35D / 50D - Standard Commercial Entrances



Door corners are mechanically joined and welded to ensure that they are more than capable of withstanding today's most demanding conditions. Standard hardware options include the Smart Series Push/Pull and touch bar exit devices. Custom entrances are available with options for one inch glazing, mid rails, high bottom rails and will accommodate most custom hardware.

### PRODUCT DATA

#### FEATURES

Rapid Building Envelope / Non-Thermal

#### BENEFITS

- Doors are far above standard quality and performance
- Complete design freedom via varied rail and stile widths
- All door corners are mechanically joined and welded
- Lifetime warranty

#### STOCK ENTRANCES

- 20D Narrow Stile 3'-0" and 3'-6" x 7'-0" Singles
- 20D Narrow Stile 6'-0" x 7'-0" Pairs
- Offset Pivot, Butt Hung and Center Pivot
- MS Lock and CVR Exit Device (Offset Pivot only)

#### CUSTOM ENTRANCES

- 20D, 35D, and 50D
- Doors up to 8'-0" Tall
- Standard and Custom Hardware

#### DATA

*Construction Use:* New / Retrofit  
*Door Type:* Swinging/Terrace Door  
*Entrance Style:* Standard  
*Stile Width:* Narrow / Medium / Wide  
*Glass Type:* Monolithic / Insulating

#### PRODUCT LINE

Anodized Plus®

#### Category: Entrances

Entrance systems by YKK AP offer an abundance of design options. VersaJamb®, our unique reinforced tubular door frame, allows for side-lite glazing without shear clips while maintaining the structural integrity of transom frames.

<a href="#">Request Information</a>	→
<a href="#">Find Your Local YKK AP Rep</a>	→
<a href="#">View Technical Documents</a>	→
<a href="#">Download Brochure</a>	→
<a href="#">Installation Instructions</a>	→

### RELATED PRODUCTS



#### MegaTherm® 35XT / 50XT - Advanced Thermal Commercial Entrances

Our MegaTherm® 35/50 XT Advanced Thermal Commercial Swing Doors offer excellent energy efficiency and condensation resistance. They fit seamlessly within our enerGfacade® suite of products, making them a versatile option for clients interested in LEED® certification.

[VIEW PRODUCT](#) →



### FEATURED PROJECT

#### LEGACY ER

Located in Allen, Texas, the new Legacy ER stands out amongst the suburban neighborhoods. Clad in metal and glass, the building is an example of the progressive architecture that is seeping into the medical community.

[VIEW PROJECT](#) →

#### TOOLS JUST FOR YOU:



[NEED SPECS? GO TO THE TECHNICAL PRODUCT GUIDE](#) →

[LOOKING FOR RESIDENTIAL PRODUCTS?](#) →

#### EXPLORE PRODUCTS

- Entrances
- Storefront Systems
- Window Walls
- Curtain Wall
- Architectural Windows
- Sliding and Terrace Doors
- Sun Control

#### PERFORMANCE+ SYSTEMS

- ProTek® Hurricane Resistant and Blast Mitigation Systems
- enerGfacade® Energy Efficient Building Solutions
- Anodized Plus® Aluminum Finishes
- MegaTherm® Aluminum Framing System
- ThermaBond Plus®

#### PROFESSIONAL RESOURCES

- Product Explorer
- Continuing Education
- Technical Documents
- MyThermal Assistant
- myTECHLink Login
- myykap.com
- Technical Tools for Architects
- Technical Tools for Glazing Contractors
- Inspiration Gallery
- Price Book

#### GET SUPPORT

- Find a YKK AP Rep
- Request Project Support
- Request Product Training

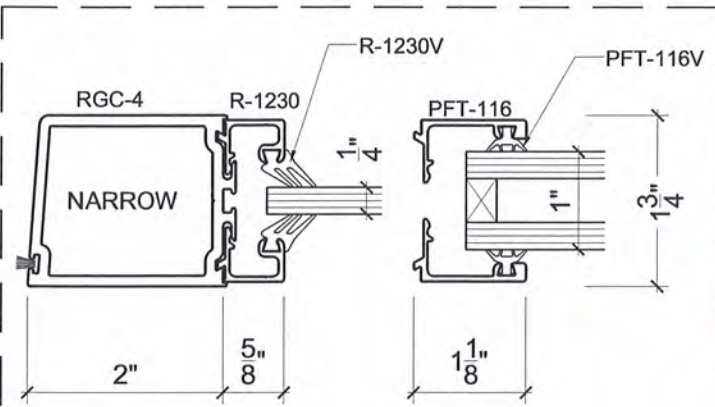
#### OUR COMPANY

- About YKK AP America Inc.
- Our Corporate Vision and Philosophy
- Environmental Responsibility
- Fundamental Behaviors
- USA Manufacturing
- Careers
- About the YKK Group
- Corporate Social Responsibility
- News & Events

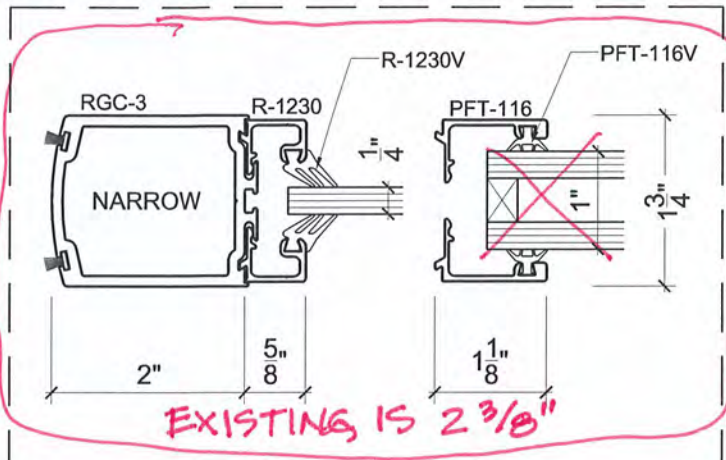
# STILES

1/2 SCALE

## SINGLE SWING DOOR STILE



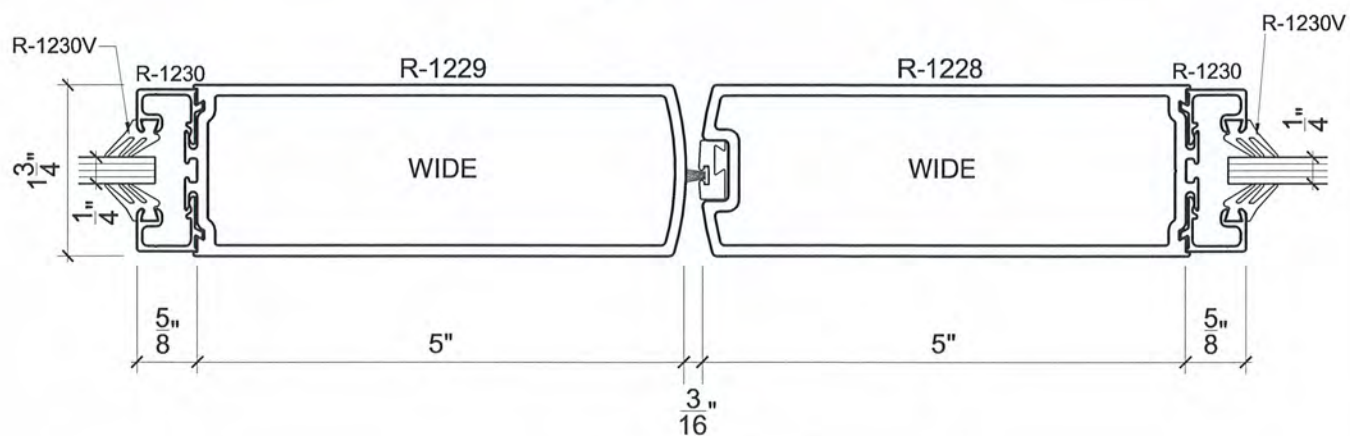
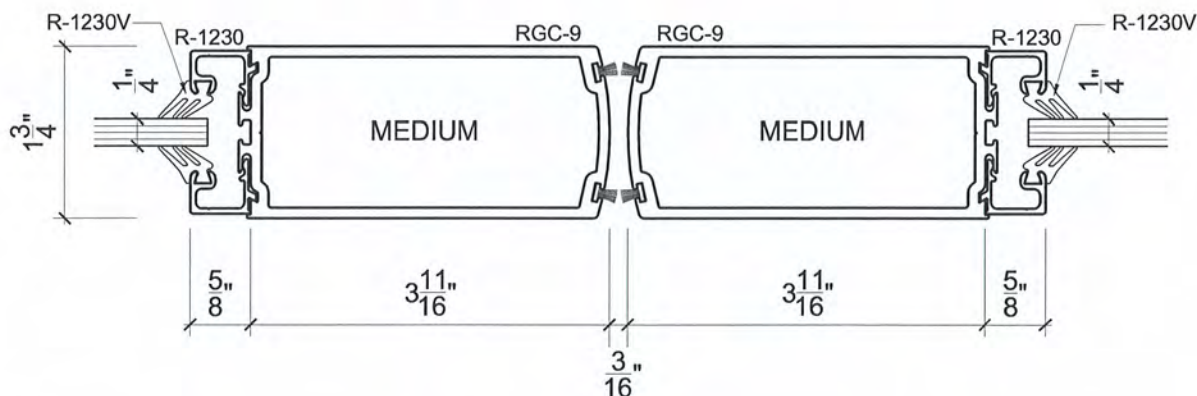
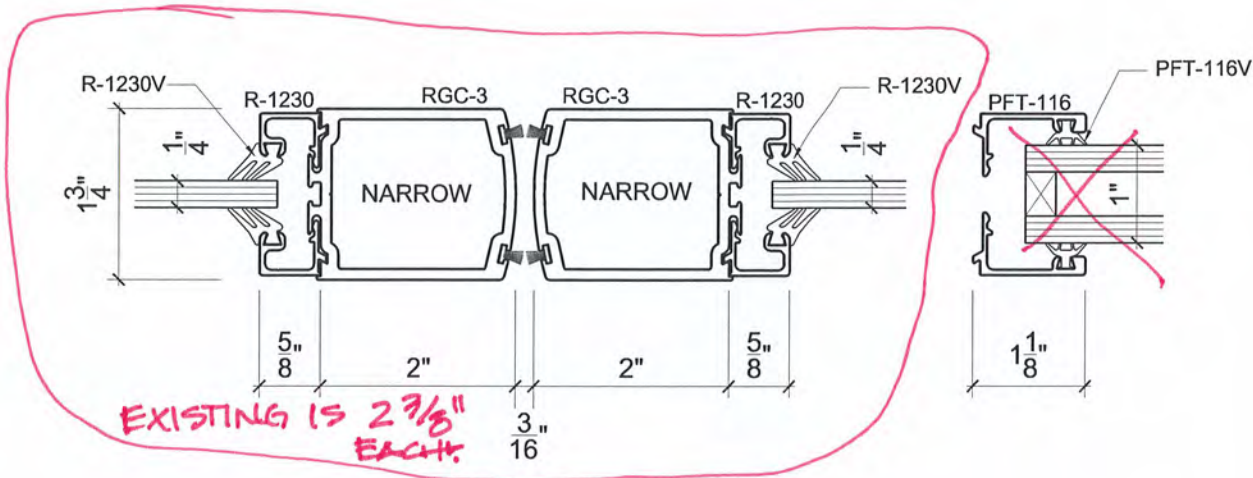
## DOUBLE SWING DOOR STILE



# SECTION 1

# MEETING RAILS

1/2 SCALE

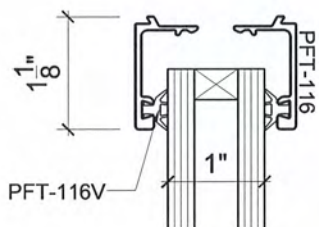
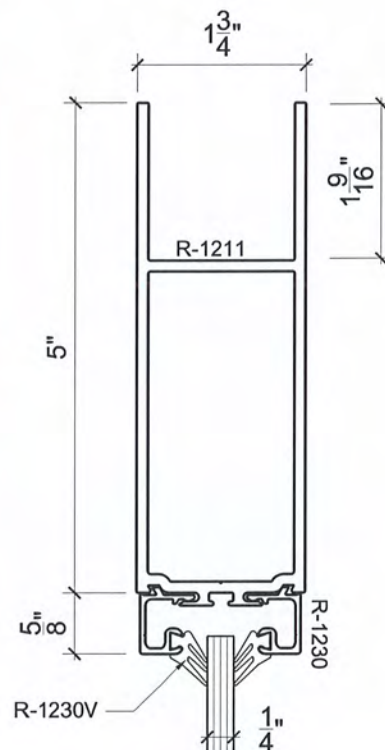
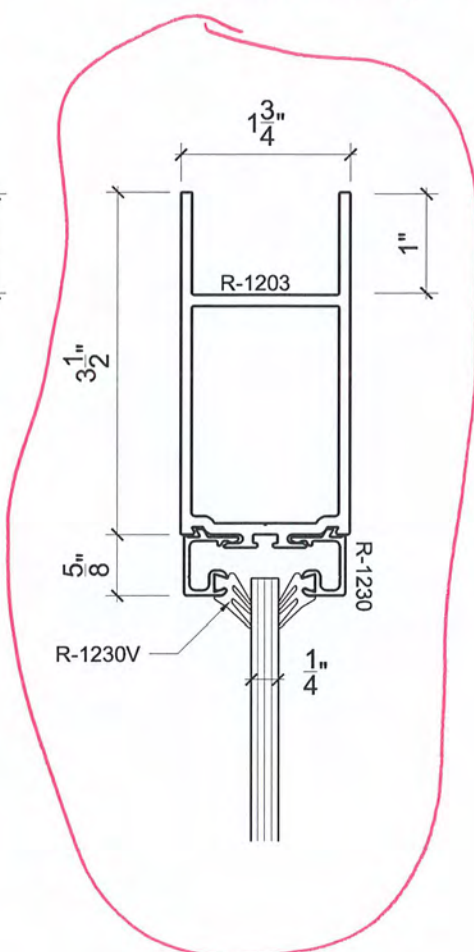
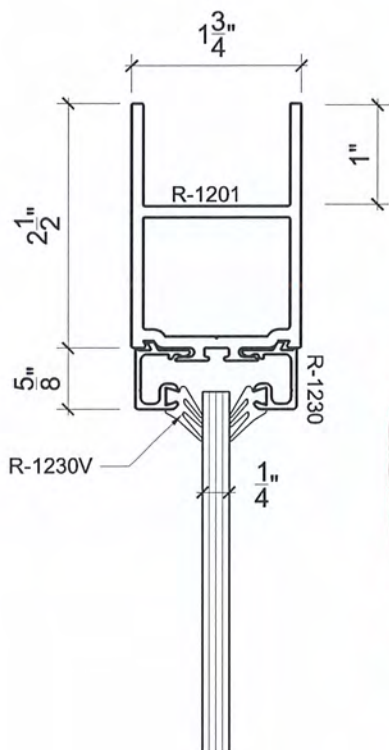


SECTION 2

# TOP RAILS

1/2 SCALE

EXISTING IS 3 3/4"

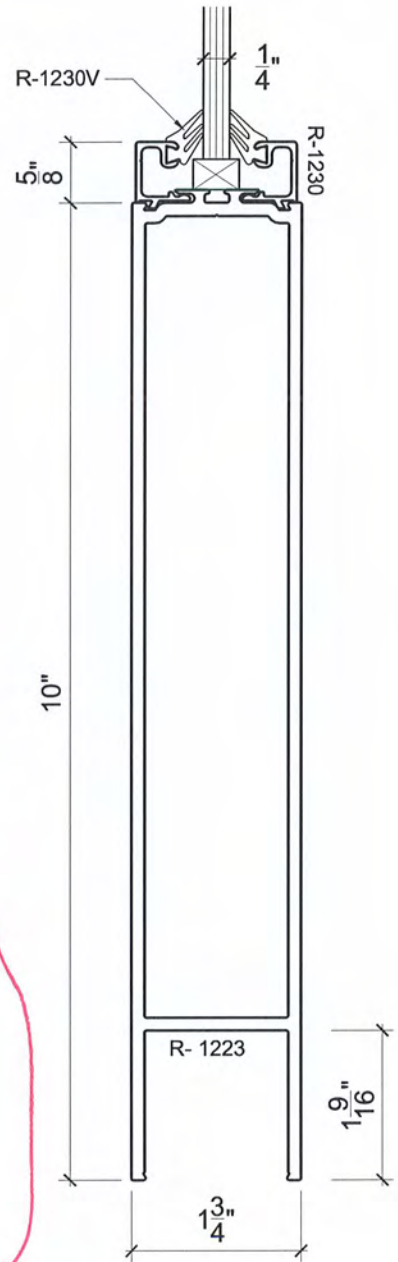
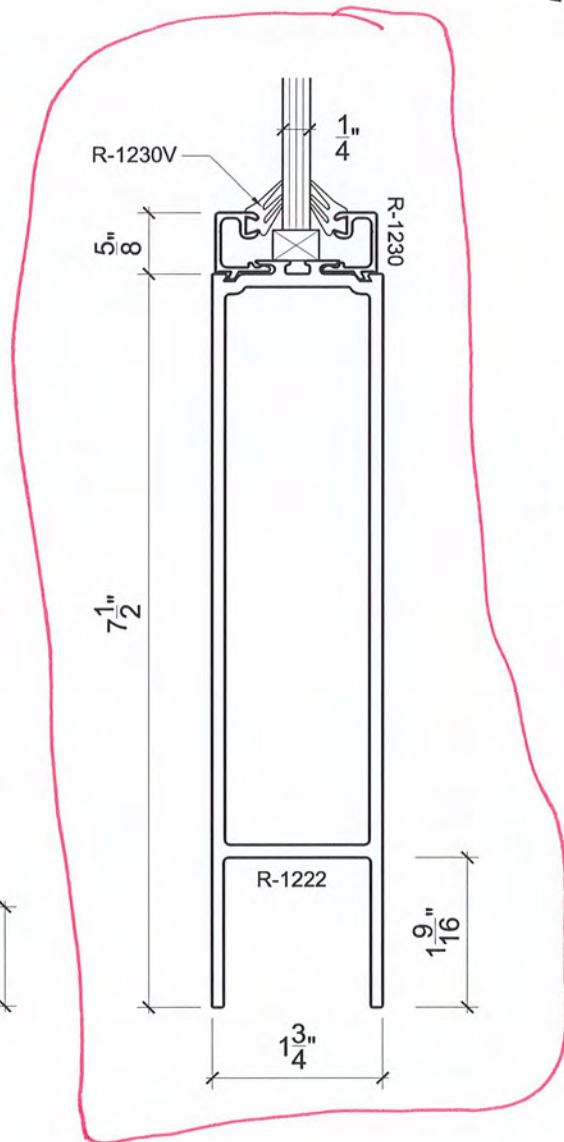
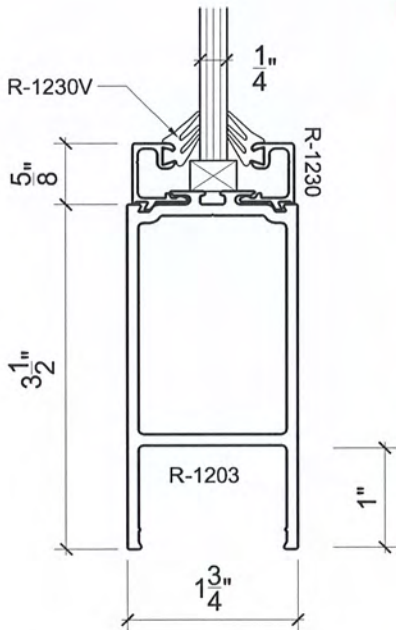
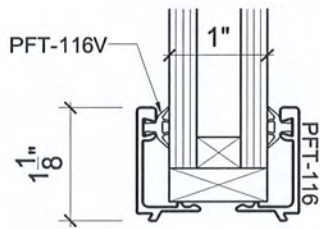


## SECTION 3

# BOTTOM RAILS

1/2 SCALE

EXISTING IS 7"



SECTION 4

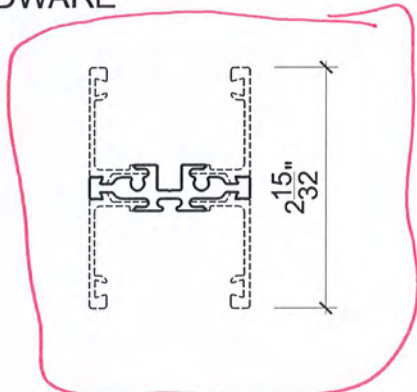
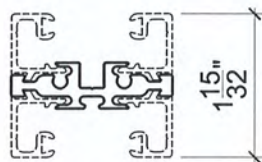


# ENTRANCE MODIFICATIONS

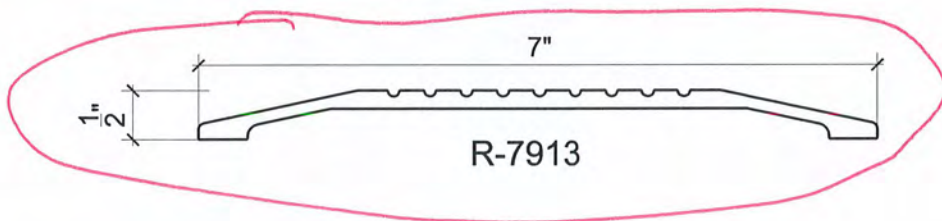
1/2 SCALE

CROSS RAIL: ANY TOP OR BOTTOM RAIL CAN BE USED DEPENDING ON THE HARDWARE

TRUE MUNTIN: R-26085



THRESHOLDS:



GLAZING STOPS OPTIONS: 1/4" R-1230  
1" PFT116

STANDARD HARDWARE: BUTT HINGE, OFFSET PIVOT

# 20D, 35D & 50D Doors

Narrow, Medium and Wide Stile Standard Entrance Systems



## ENTRANCE SYSTEM

### Product Description

Entrance systems by YKK AP offer an abundance of design options. VersaJamb®, our unique reinforced tubular door frame, allows for side-lite glazing without shear clips while maintaining the structural integrity of transom frames.

Door corners are mechanically joined and welded to ensure that they are more than capable of withstanding today's most demanding conditions. Standard hardware options include the Smart Series Push/Pull and touch bar exit devices. Custom entrances are available with options for one inch glazing, mid rails, high bottom rails and will accommodate most custom hardware.

### Product Options & Features

- Tested and manufactured well above standard grade and performance levels
- Complete Design Freedom via varied rail and stile widths
- Door Corners are mechanically joined and welded together
- Lifetime warranty on all entrance variations
- Integrates seamlessly with a variety of our YKK AP products

## Anodized Plus®

YKK AP Standard Anodized Finishes



\* Normally in stock for quick delivery. Consult your local YKK AP Branch or Center for availability.

The samples shown are reproduced as closely as possible to the actual colors on the system and is only used as a guide. For actual anodized aluminum samples, contact your local YKK AP sales rep at 1-800-955-9551 or at [www.ykkap.com](http://www.ykkap.com)



# 20D, 35D & 50D

## SYSTEM SPECIFICATIONS

System Stile	Glazing & Config	Glass	Air Infiltration (Single Acting Butt Hinges or Offset Pivots)	Structural Uniform Load	Structural Performance
2-1/8" Narrow 3-1/2" Medium 5" Wide	Outside & Center	1" IGU with Low-E (C.O.G. U-factor: 0.29)	Single Doors: 0.50 CFM/FT <sup>2</sup> Paired Doors: 1.00 CFM/FT <sup>2</sup> @ 6.24 PSF (299 Pa)	<b>20D Single/Pair:</b> 35 psf <b>35D Single/Pair:</b> 50 psf <b>50D Single/Pair:</b> 60 psf	Door corner structural strength shall be tested per YKK AP's dual moment test procedure and certified by an independent testing lab to ensure corner integrity and weld compliance. Certified test procedures and results are available upon request.
<b>Testing Standards</b>			ASTM E 283	ASTM E 330	N/A
<b>Available Finishes</b>			Factory Anodized (AAMA 612) and Organic Paints (AAMA 2604 & AAMA 2605)		

## SMART SERIES DEVICES

### Smart Series Push/Pull

YKK AP's Smart Series one inch diameter Push/Pull provides maximum flexibility and occupant safety. The pull handle is open to permit access to the lock cylinder and is slightly angled to provide a uniquely modern look. The Smart Push starts at the locking stile similar to a typical one inch diameter push bar, but then has an ergonomic "S-Bend" toward the locking stile to bring the bar closer to the door where it is captured by a patented end cap. This innovative push bar easily accommodates custom width openings while subtly informing a pedestrian which side of the door to push on when exiting a building.



YKK AP Smart Series Pulls



YKK AP Smart Series Push Bar

## STANDARD DEVICES

### YKK AP Exit Devices

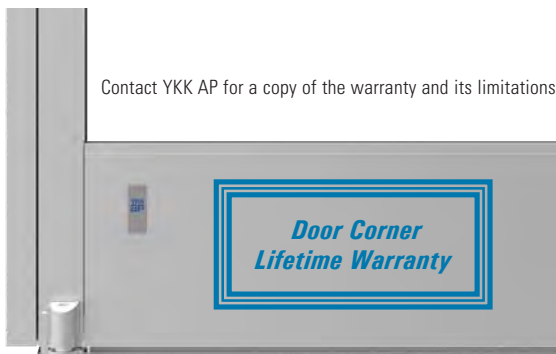
The modern and economical YKK AP standard touch bar exit devices are ideally suited for all applications that require emergency egress. The devices are ANSI Grade 1, carry the UL label and are approved for Life Safety. Both the rim and concealed vertical rod devices feature single point dogging and are available with electric actuation.



YKK AP Standard Concealed Vertical Rod Exit Device



YKK AP Standard Rim Exit Device



### Stock Entrances

- 20D Narrow Stile 3'-0" and 3'-6" x 7'-0" Singles
- 20D Narrow Stile 6'-0" x 7'-0" Pairs
- Offset Pivot, Butt Hung and Center Pivot
- MS Lock and CVR Exit Device (Offset Pivot only)

### Custom Entrances

- 20D, 35D, and 50D
- Doors up to 8'-0" Tall
- Standard and Custom Hardware

Additional information including CAD details, CSI specifications, Test Reports and Installation instructions are available online at:

[www.ykkap.com/commercial/product/entrances/20d35d50d/](http://www.ykkap.com/commercial/product/entrances/20d35d50d/)